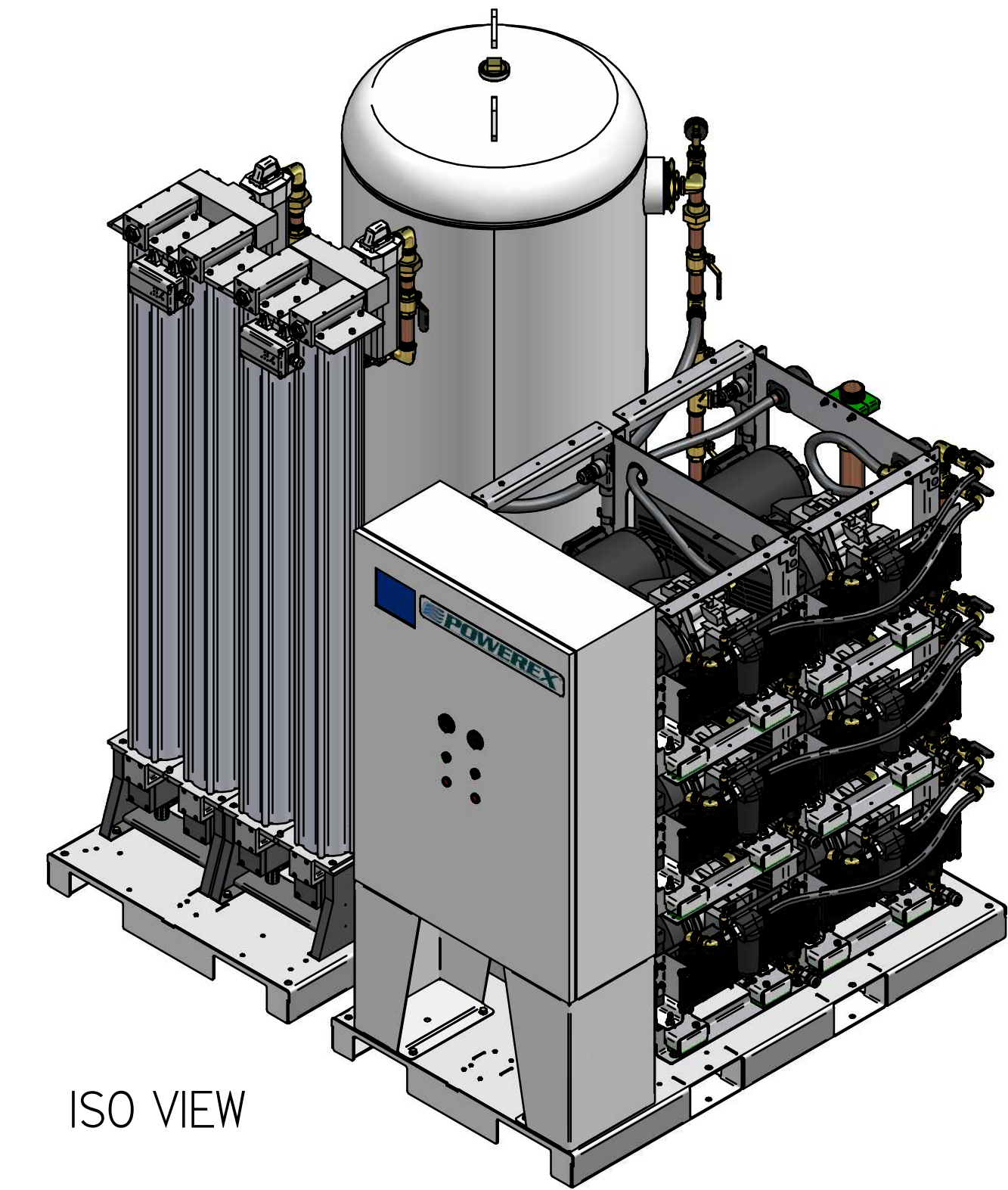
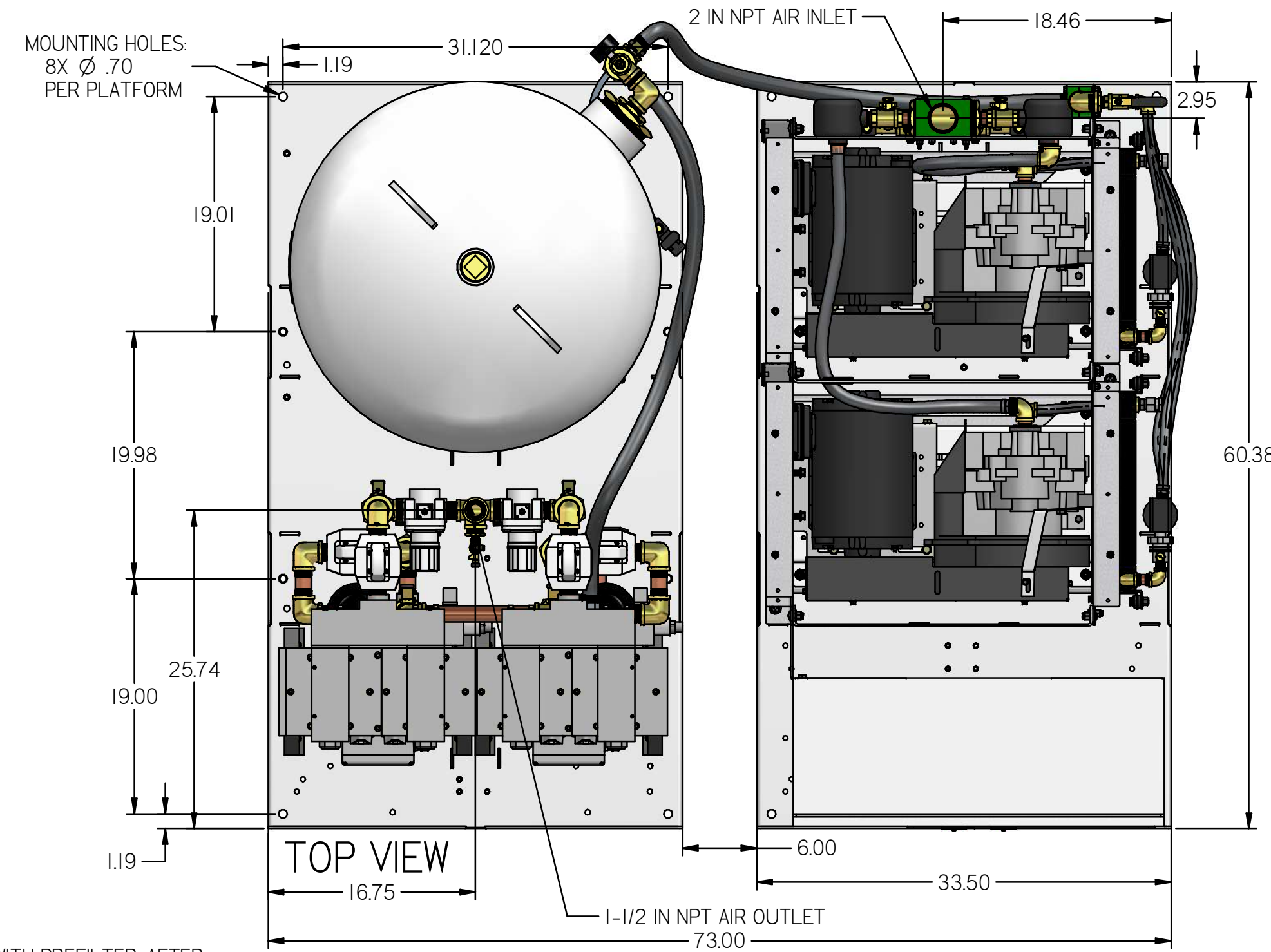


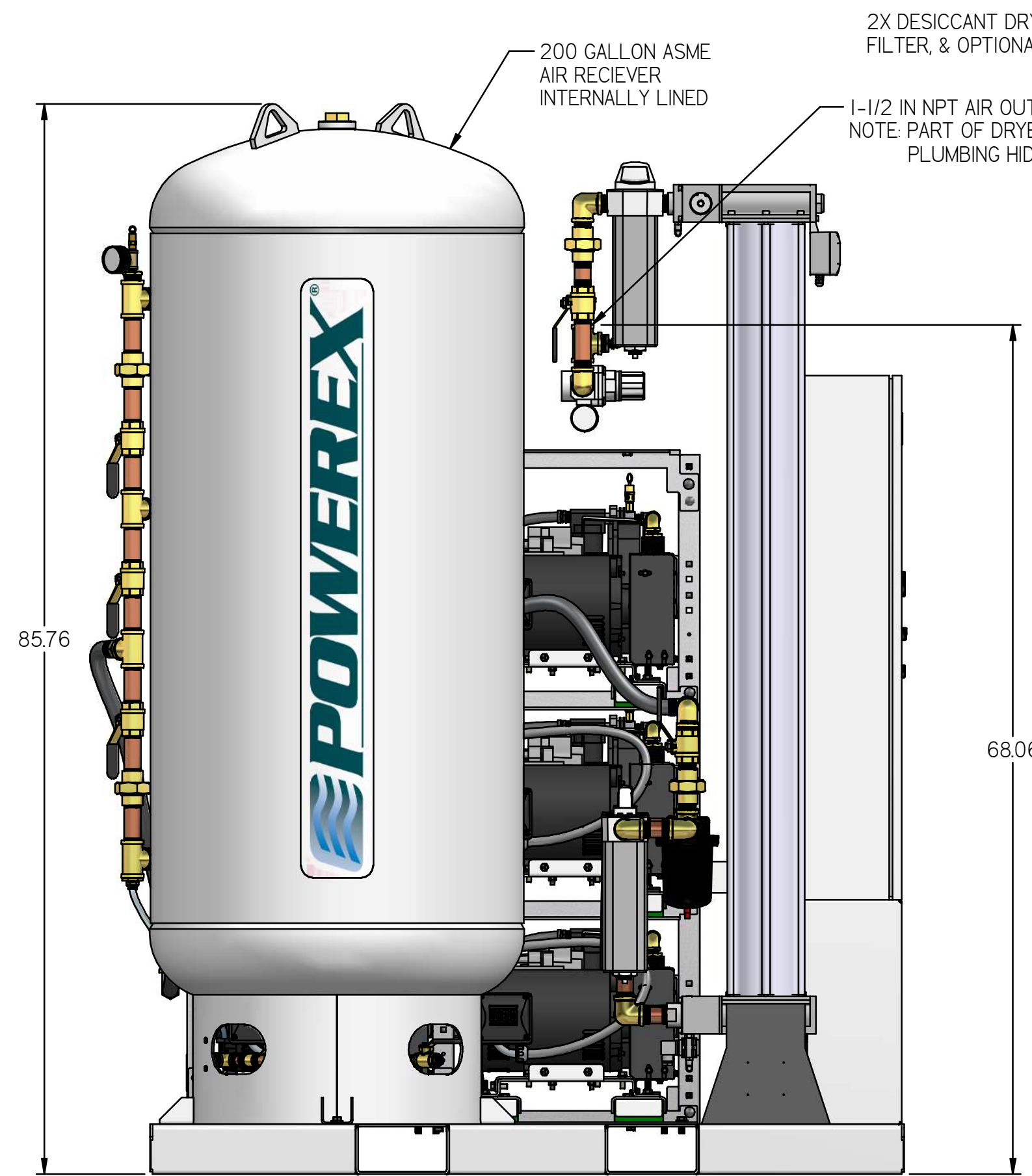
REVISION NOTES		
DESCRIPTION	ECN	PR/NOR
PRODUCTION RELEASE	PXECO169	N/A

LST10A5

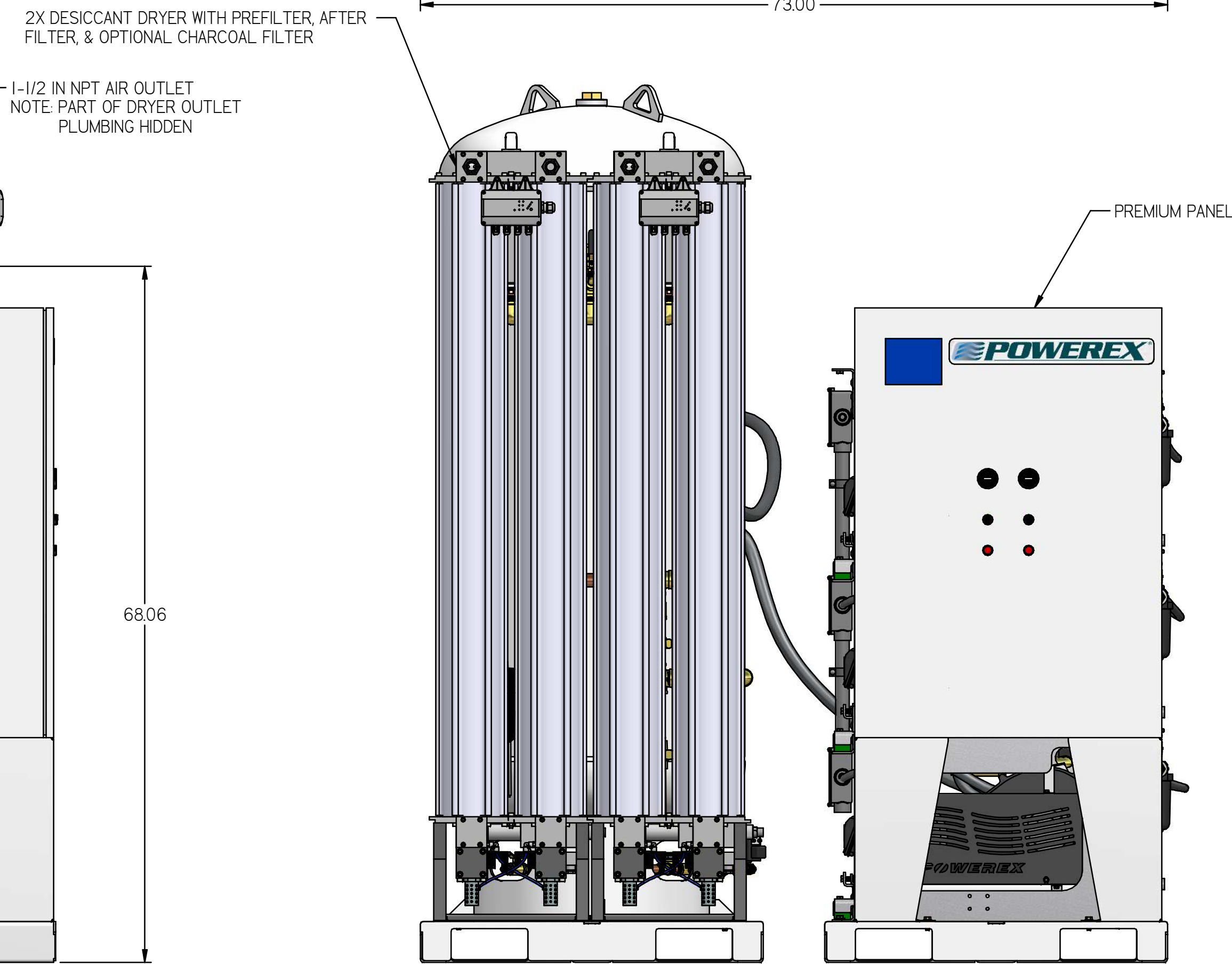
LAB OPEN SCROLL 10HP TRIPLEX WITH 200 GALLON TANK



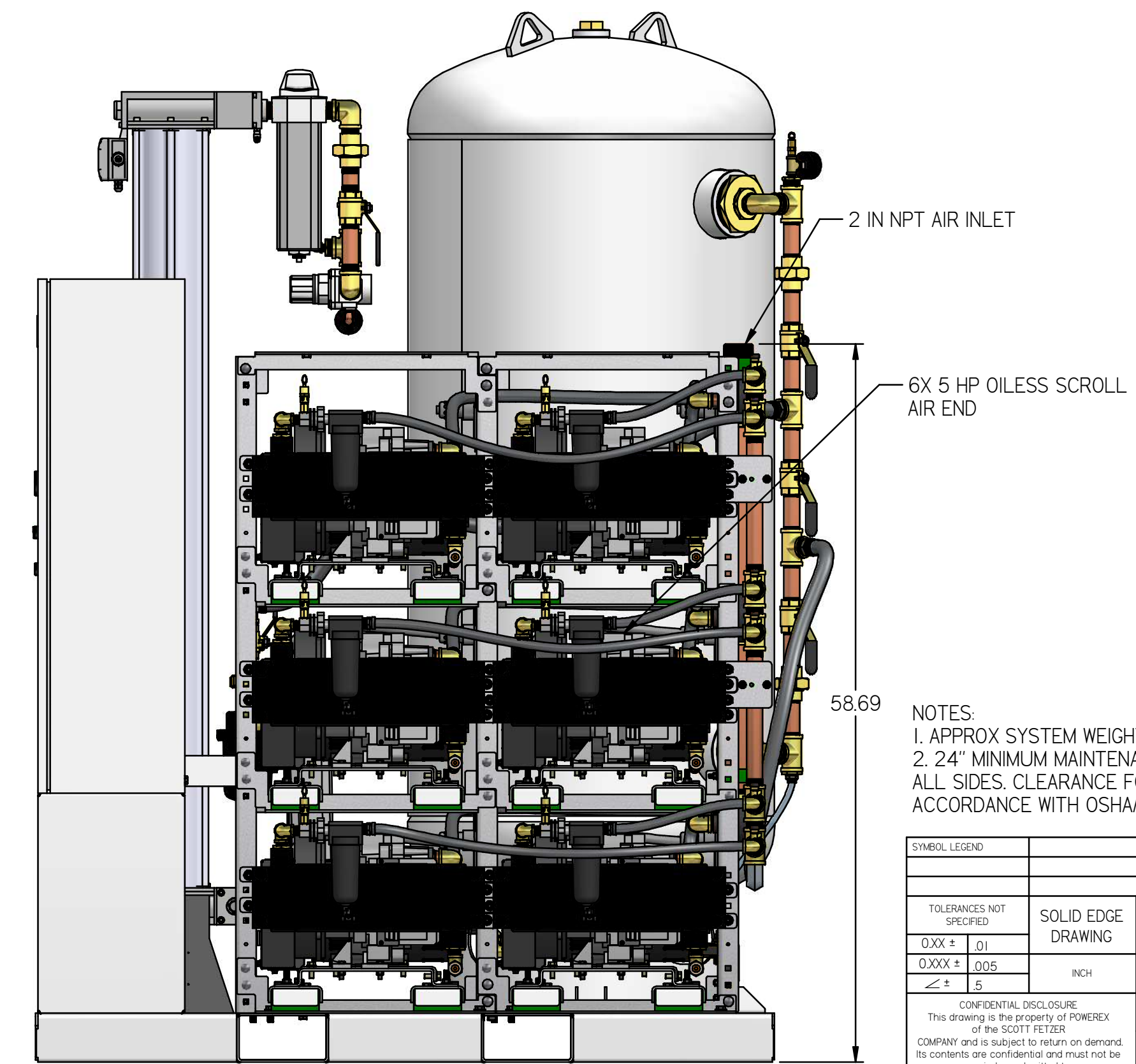
ISO VIEW



LEFT VIEW



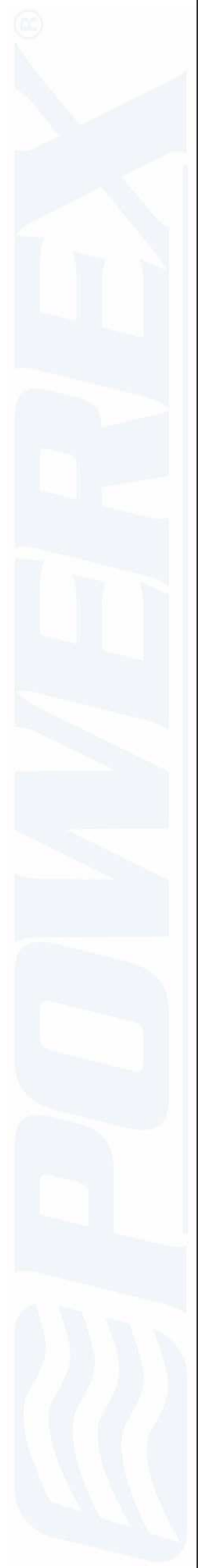
FRONT VIEW



RIGHT VIEW

- NOTES:
 1. APPROX SYSTEM WEIGHT: 3282 LB
 2. 24" MINIMUM MAINTENANCE CLEARANCE RECOMMENDED ALL SIDES. CLEARANCE FOR CONTROL PANELS SHALL BE IN ACCORDANCE WITH OSHA/NEC REQUIREMENTS

SYMBOL LEGEND		DRAWINGS TO CONFORM TO CURRENT REVISION OF THE FOLLOWING ANSI STANDARDS:	
TOLERANCES NOT SPECIFIED	SOLID EDGE DRAWING	DO NOT SCALE DRAWING FOR DIMENSIONS	
0.XXX ± .01	INCH	SHEET 1 OF 4	SCALE 1:10
0.XXX ± .005		APPROVALS ON FILE IN PLM	
CONFIDENTIAL DISCLOSURE This drawing is the property of POWEREX of the SCOTT FETTER COMPANY and is subject to return on demand. Its contents are confidential and must not be copied or submitted to outside parties for use or examination.		AUTHOR	ORIGINATION DATE
MATERIAL SEE PART DRAWINGS		ASoulek	10/31/2018
DRAWING NUMBER LST10A5		REVISION B	SIZE D

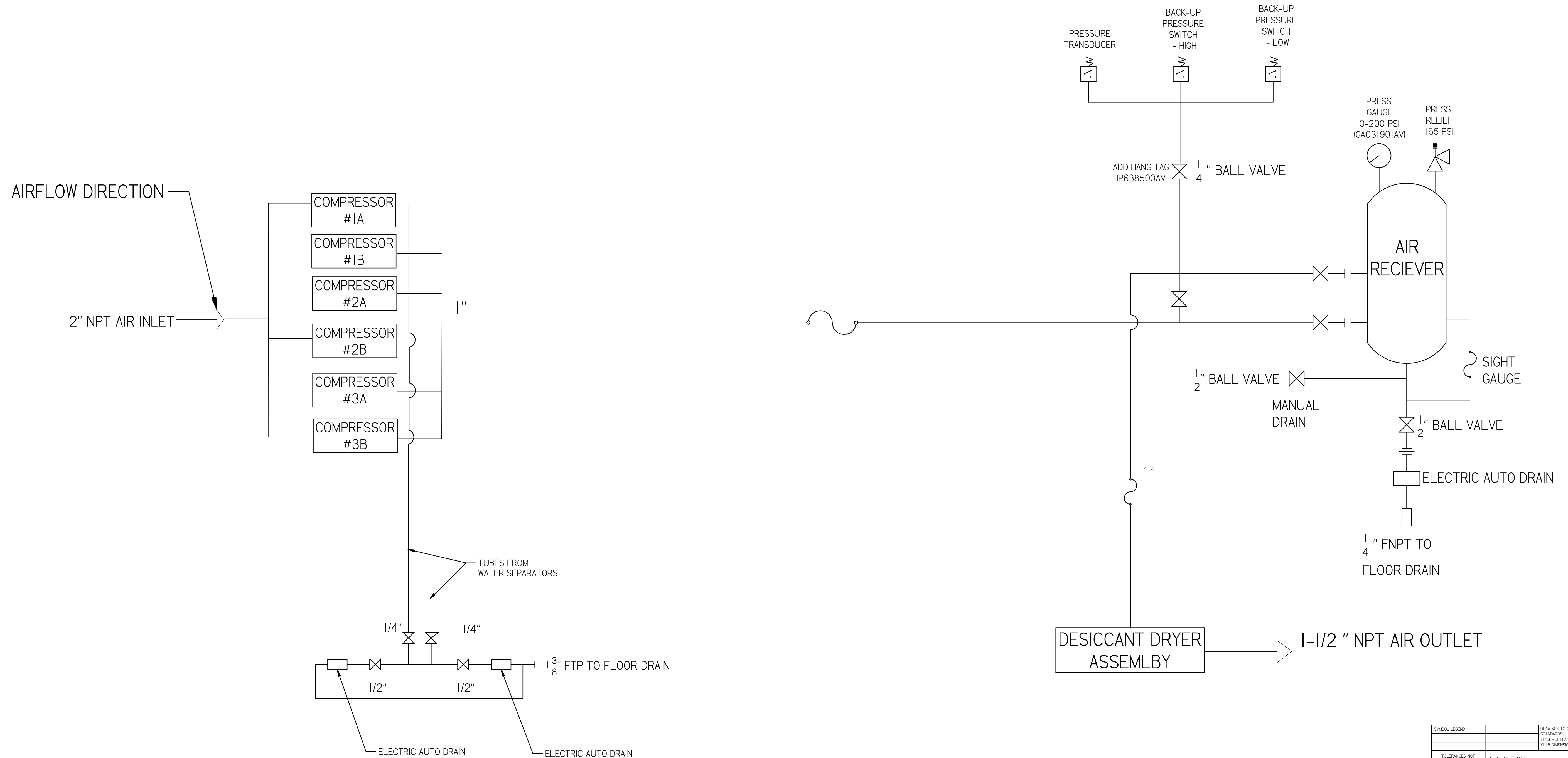


LST10A5

LAB OPEN SCROLL 10HP
TRIPLEX WITH 200 GALLON
TANK

FLOW DIAGRAM

REVISION NOTES		
DESCRIPTION	ECN	PR/NOR
PRODUCTION RELEASE	PXECO169	N/A

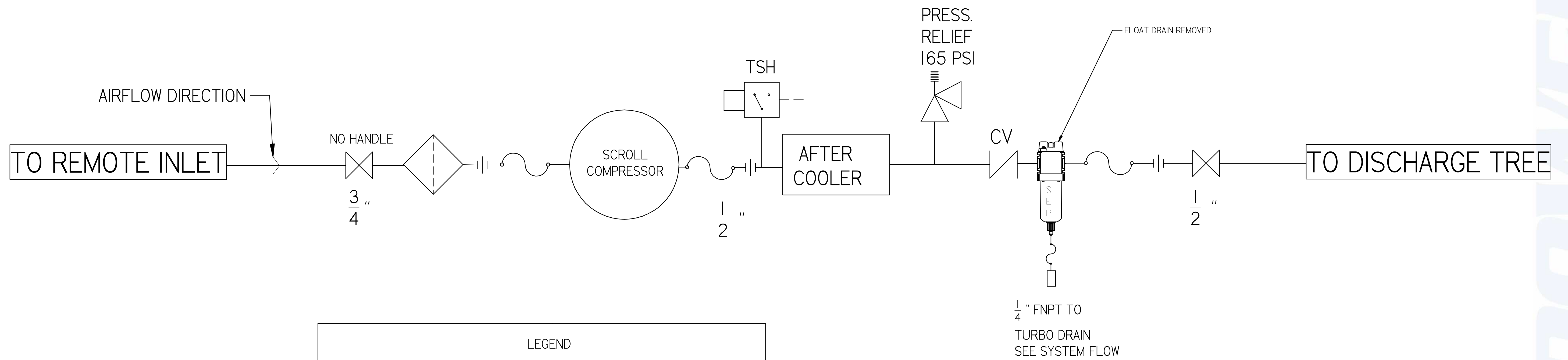


SYMBOL LEGEND		DRAWINGS TO CONFORM TO CURRENT REVISION OF THE FOLLOWING ANSI STANDARDS:			
		Y14.3 MULTI AND SECTIONAL VIEW DWGS			
		Y14.5 DIMENSIONING AND TOLERANCING			
TOLERANCES NOT SPECIFIED	SOLID EDGE DRAWING	DO NOT SCALE DRAWING FOR DIMENSIONS			
0.000 ± .01					
0.000 ± .005					
∠ ± .5	INCH	SHEET 2 OF 4	SCALE	1:1	
<small>CONFIDENTIAL DISCLOSURE</small> This drawing is the property of POWEREX or the SCOTT FETTER COMPANY and is subject to return on demand. Its contents are confidential and must not be copied or submitted to outside parties for use or examination.		AUTHOR	ORIGINATION DATE	APPROVALS ON FILE IN PLM	
		ASoulek	10/31/2018		
ITEM NO: 716278					
MATERIAL: SEE PART DRAWINGS		<small>ISO PRODUCTION DRIVE, HARRISON OH 45030 (888) 716-7279</small>			
DESCRIPTION: LAB OPEN SCROLL 10HP TRIPLEX WITH 200 GALLON TANK		DRAWING NUMBER	REVISION	SIZE	
		LST10A5	B	D	

REVISION NOTES		
DESCRIPTION	ECN	PR/NOR
PRODUCTION RELEASE	PXECO169	N/A

LST10A5

LAB OPEN SCROLL 10HP
TRIPLEX WITH 200 GALLON
TANK
LAB COMPRESSOR
FLOW DIAGRAM



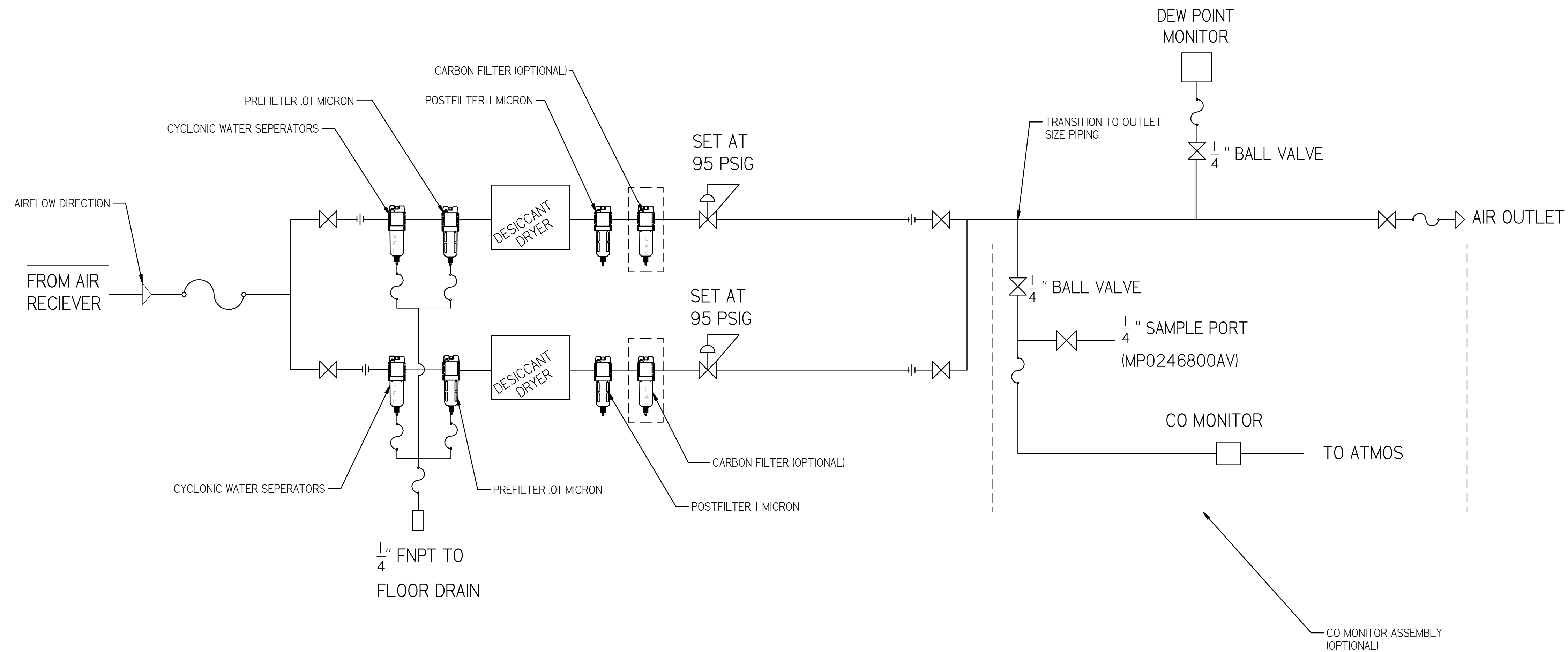
LEGEND			
	RELIEF VALVE		PRESSURE SWITCH
	INTAKE FILTER		REGULATOR
	AIR FILTER		SEPARATOR
	3 WAY VALVE		CHECK VALVE
	CARBON FILTER		FLEX LINE
	BALL VALVE		TSH HIGH TEMP SWITCH

SYMBOL LEGEND		DRAWINGS TO CONFORM TO CURRENT REVISION OF THE FOLLOWING ANSI STANDARDS:	
		Y14.3 MULTI AND SECTIONAL VIEW DWGS	
		Y14.5 DIMENSIONING AND TOLERANCING	
TOLERANCES NOT SPECIFIED	SOLID EDGE DRAWING	DO NOT SCALE DRAWING FOR DIMENSIONS	
0.000 ± .01		SHEET 3 OF 4	SCALE 1:1
0.000 ± .005	INCH		
CONFIDENTIAL DISCLOSURE This drawing is the property of POWEREX of the SCOTT FETTER COMPANY and is subject to return on demand. Its contents are confidential and must not be copied or submitted to outside parties for use or examination.		AUTHOR	APPROVALS ON FILE IN PLM
		ASoulek	10/31/2018
ITEM NO: 716278			
MATERIAL: SEE PART DRAWINGS		150 PRODUCTION DRIVE, HARRISON OH 45030 888-716-7279	
DESCRIPTION: LAB OPEN SCROLL 10HP TRIPLEX WITH 200 GALLON TANK		DRAWING NUMBER: LST10A5	REVISION: B D


REVISION NOTES		
DESCRIPTION	ECN	PR/NOR
PRODUCTION RELEASE	PXECO169	N/A

LST10A5

LAB OPEN SCROLL 10HP
TRIPLEX WITH 200 GALLON
TANK
LAB DRYER
FLOW DIAGRAM



PUMP COUNT	DRYER PLUMBING SIZE	OUTLET PIPE SIZE
2	1/2"	1/2"
3	1/2"	1"
4	1"	1-1/4"
6	1"	1-1/2"
8	1"	1-1/2"
9	1"	1-1/2"
12	1-1/2"	2"
15	1-1/2"	2"
18	1-1/2"	2"

SYMBOL LEGEND		DRAWINGS TO CONFORM TO CURRENT REVISION OF THE FOLLOWING ANSI STANDARDS: Y14.3 MULTI AND SECTIONAL VIEW DWGS Y14.5 DIMENSIONING AND TOLERANCING	
TOLERANCES NOT SPECIFIED	SOLID EDGE DRAWING	DO NOT SCALE DRAWING FOR DIMENSIONS	
0.XXX ± .01	INCH	SHEET 4 OF 4	SCALE 1:1
0.XXX ± .005			
± .5			
<small>CONFIDENTIAL DISCLOSURE</small> This drawing is the property of POWEREX or the SCOTT FETTER COMPANY and is subject to return on demand. Its contents are confidential and must not be copied or submitted to outside parties for use or examination.		AUTHOR	APPROVALS ON FILE IN PLM
TITLE: 716278 MATERIAL: SEE PART DRAWINGS		ASoulek	10/31/2018
DESCRIPTION: LAB OPEN SCROLL 10HP TRIPLEX WITH 200 GALLON TANK		 150 PRODUCTION DRIVE, HARRISON OH 45030 (938) 768-7079	
DRAWING NUMBER: LST10A5		REVISION: B	SIZE: D

