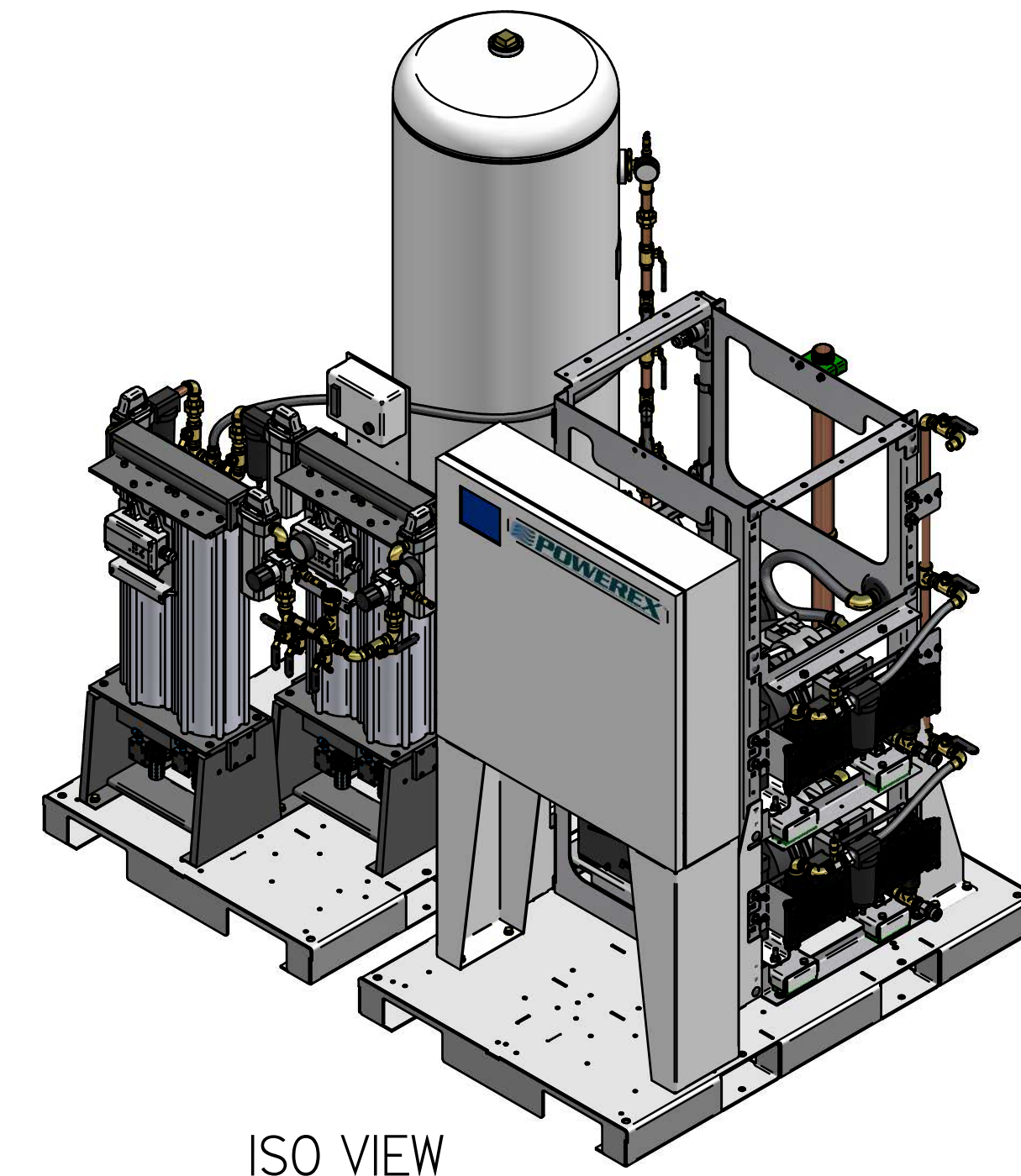
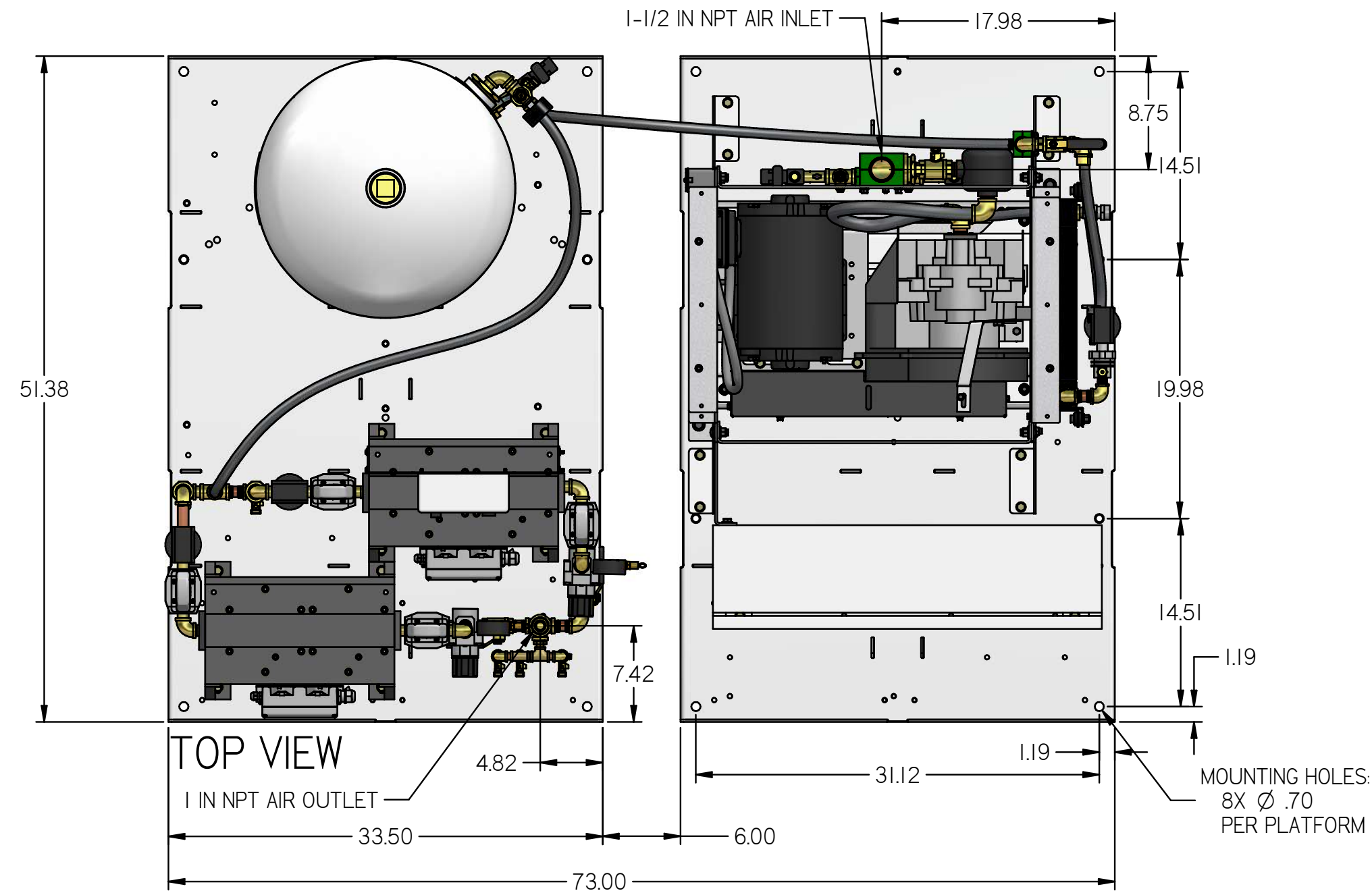


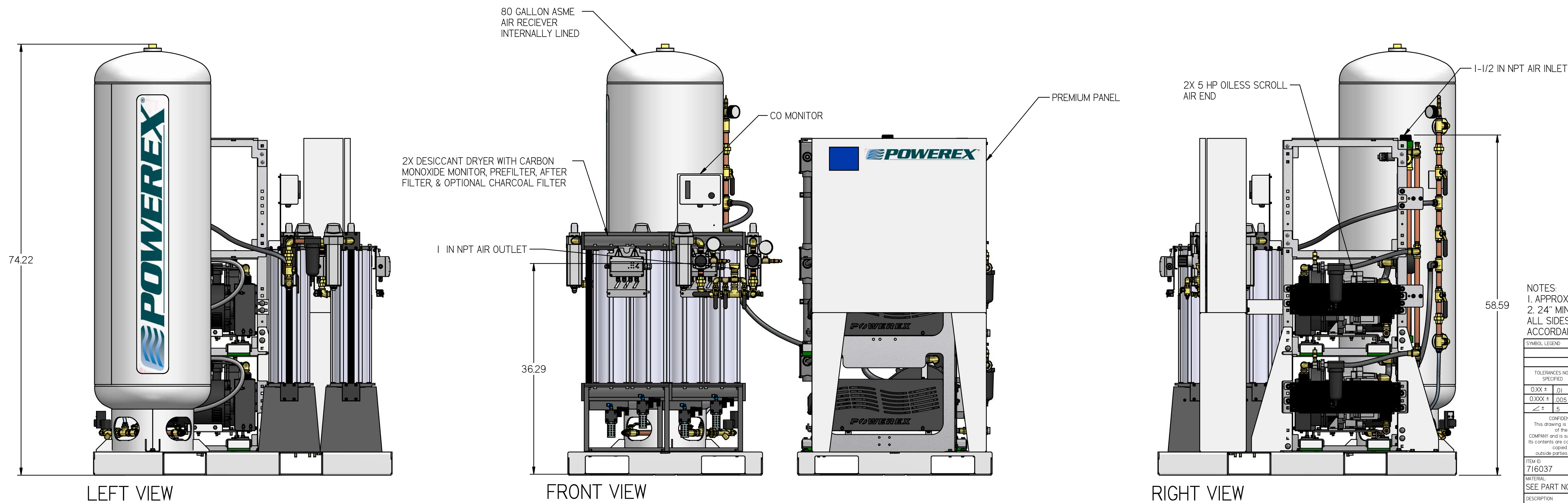
# MSD05A3-EX3

MEDICAL OPEN SCROLL 5HP  
 DUPLEX EXPANDABLE TO TRI  
 WITH 80 GALLON TANK  
 PREMIUM PANEL

REVISION NOTES		
DESCRIPTION	ECN	PR/NOR
PRODUCTION RELEASE	PXECO169	N/A



ISO VIEW



LEFT VIEW

FRONT VIEW

RIGHT VIEW

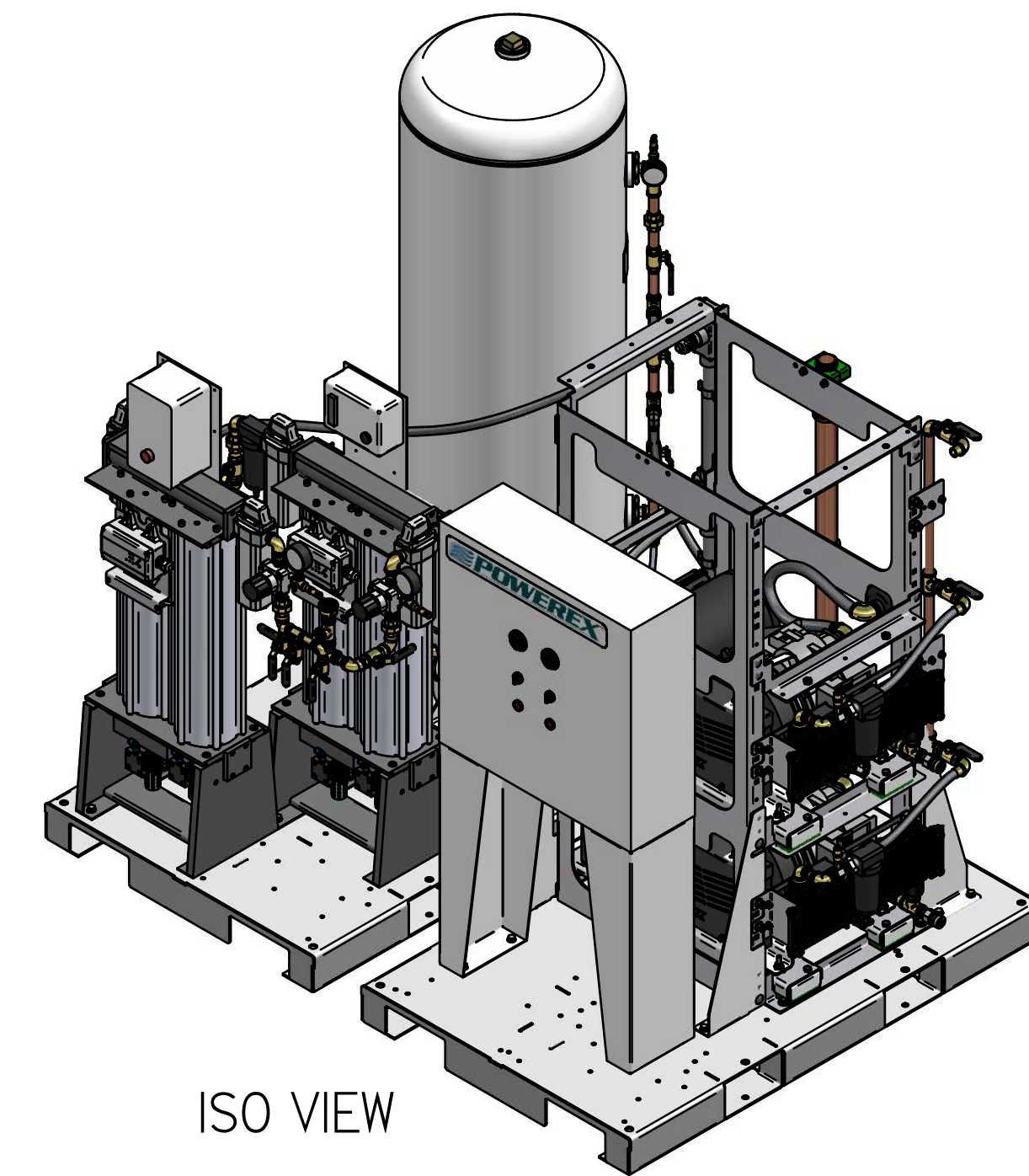
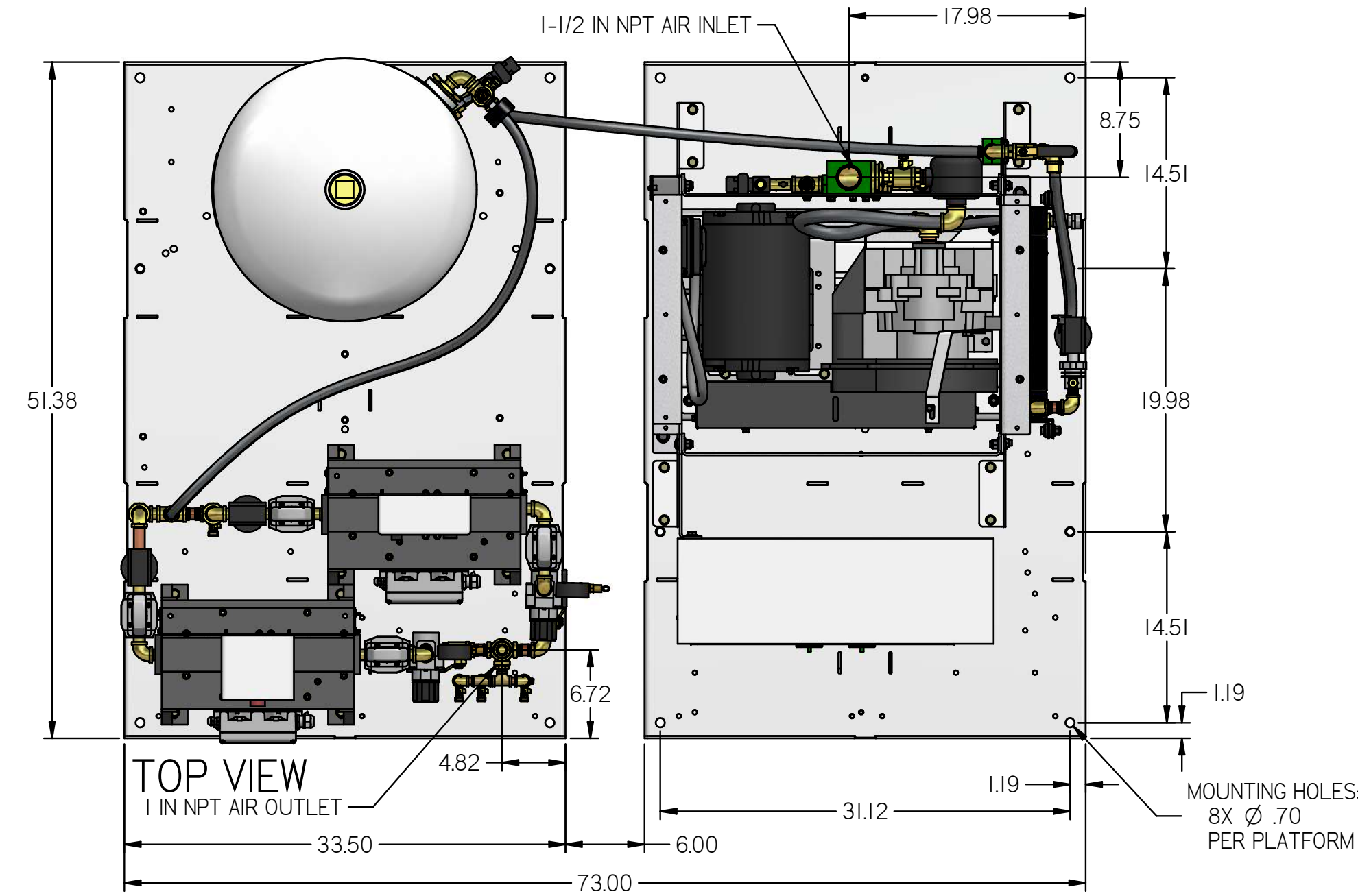
- NOTES
- APPROX SYSTEM WEIGHT: 1275 LB
  - 24" MINIMUM MAINTENANCE CLEARANCE RECOMMENDED ALL SIDES. CLEARANCE FOR CONTROL PANEL SHALL BE IN ACCORDANCE WITH OSHA/NEC REQUIREMENTS

SYMBOL LEGEND		DRAWINGS TO CONFORM TO CURRENT REVISION OF THE FOLLOWING ANSI STANDARDS:		
TOLERANCES NOT SPECIFIED	SOLID EDGE DRAWING	1:4:3 MULTI AND SECTIONAL VIEW DIMS	1:4:3 DIMENSIONING AND TOLERANCING	DO NOT SCALE DRAWING FOR DIMENSIONS
0.XXX ± .01	DRAWING	INCH	SHEET 1 OF 5	SCALE 1:10
0.XXX ± .005				
<small>CONFIDENTIAL DISCLOSURE</small> This drawing is the property of POWEREX of the SCOTT FETTER COMPANY and is subject to return on demand. Its contents are confidential and must not be copied or submitted to outside parties for use or examination.		AUTHOR	ORIGINATION DATE	APPROVALS ON FILE IN PLM
TITLE: 716037		ASoulek	10/11/2018	
MATERIAL: SEE PART NOTES				
DESCRIPTION: MEDICAL OPEN SCROLL 5HP DUPLEX EXPANDABLE TO TRI WITH 80 GALLON TANK		DRAWING NUMBER: MSD05A3-EX3	REVISION: A	SIZE: D

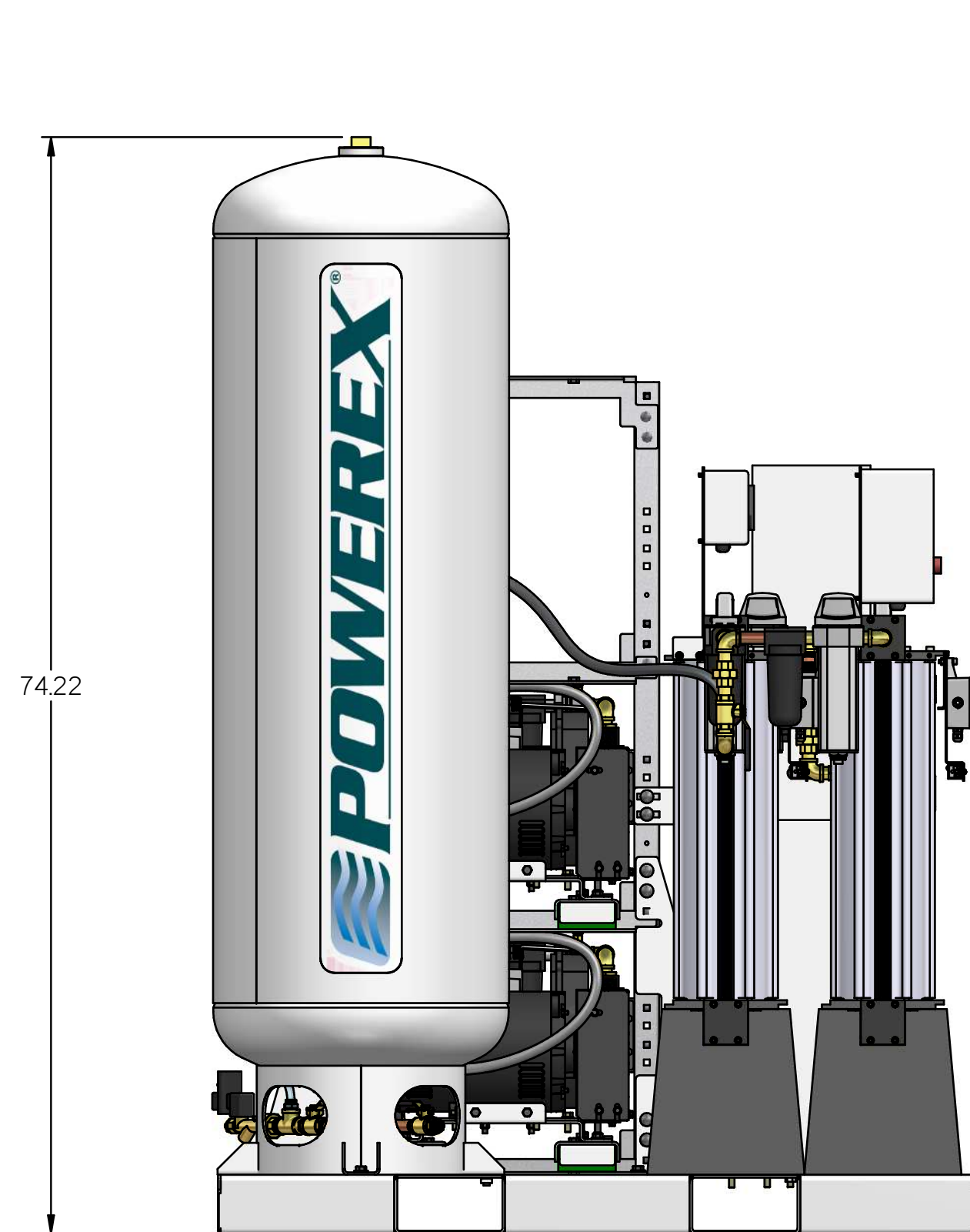
# MSD05A3-EX3

MEDICAL OPEN SCROLL 5HP  
 DUPLEX EXPANDABLE TO TRI  
 WITH 80 GALLON TANK  
 BASIC PANEL

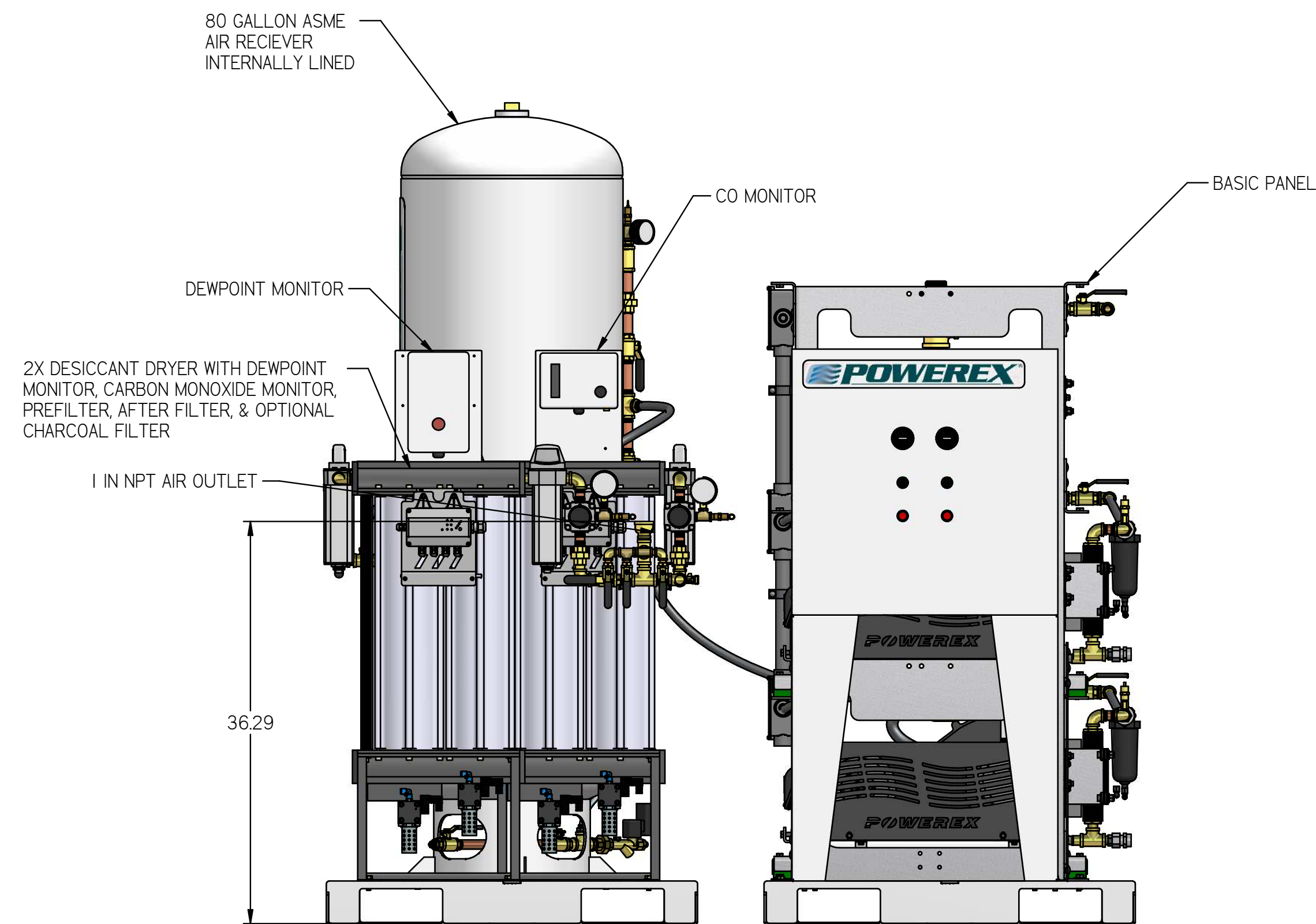
REVISION NOTES		
DESCRIPTION	ECN	PR/NOR
PRODUCTION RELEASE	PXEC0169	N/A



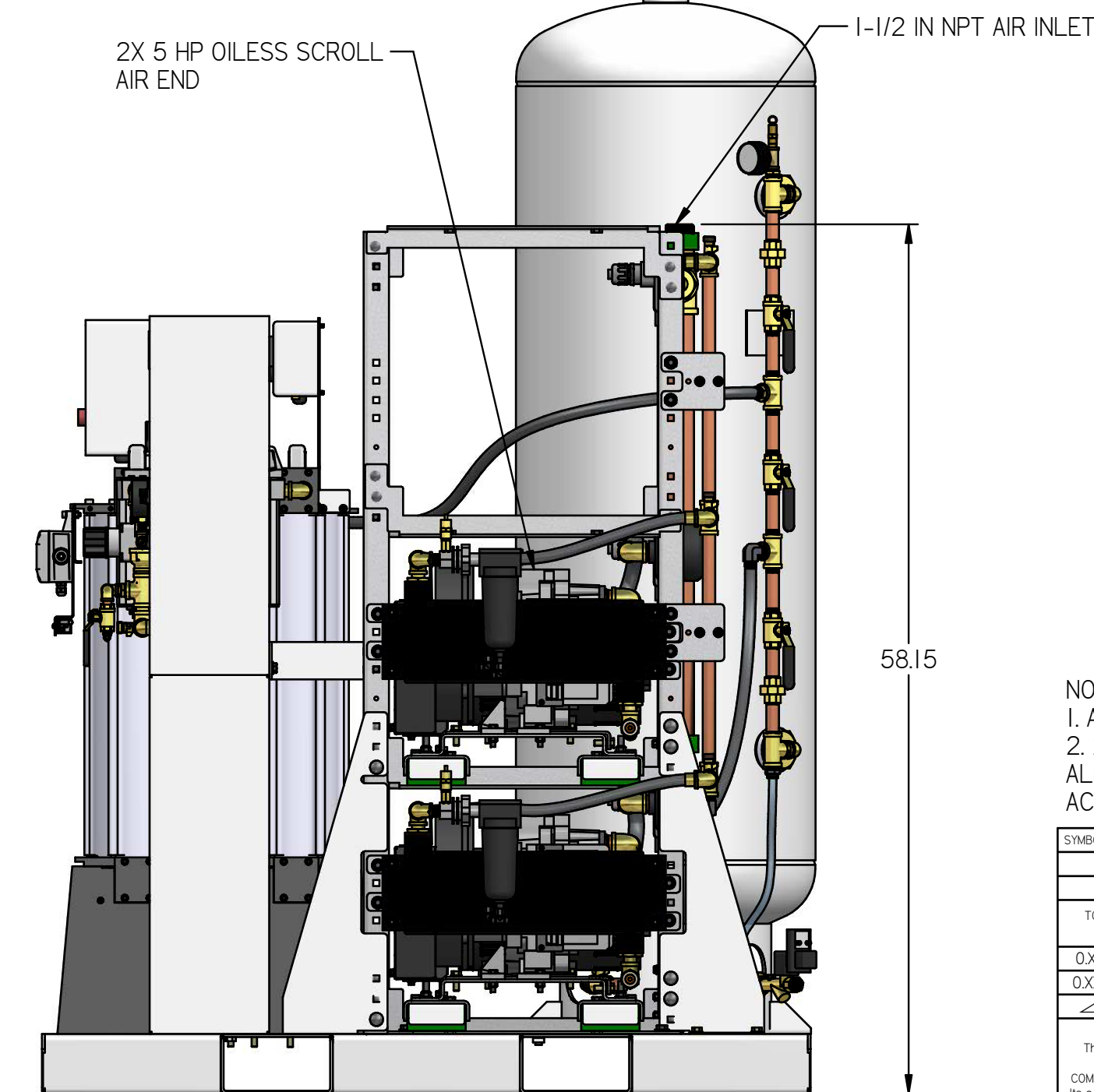
ISO VIEW



LEFT VIEW



FRONT VIEW



RIGHT VIEW

- NOTES:  
 1. APPROX SYSTEM WEIGHT: 1275 LB  
 2. 24" MINIMUM MAINTENANCE CLEARANCE RECOMMENDED  
 ALL SIDES. CLEARANCE FOR CONTROL PANEL SHALL BE IN  
 ACCORDANCE WITH OSHA/NEC REQUIREMENTS

SYMBOL LEGEND		DRAWINGS TO CONFORM TO CURRENT REVISION OF THE FOLLOWING ANSI STANDARDS:	
TOLERANCES NOT SPECIFIED	SOLID EDGE DRAWING	DO NOT SCALE DRAWING FOR DIMENSIONS	
0.00X ± .01	INCH	SHEET 2 OF 5	SCALE 1:10
0.00X ± .005		APPROVALS ON FILE IN PLM	
<small>CONFIDENTIAL DISCLOSURE</small> This drawing is the property of POWEREX of the SCOTT FETTER COMPANY and is subject to return on demand. Its contents are confidential and must not be copied or submitted to outside parties for use or examination.		AUTHOR	ORIGINATION DATE
TITLE: 716037 MATERIAL: SEE PART NOTES		ASoulek	10/11/2018
DESCRIPTION: MEDICAL OPEN SCROLL 5HP DUPLEX EXPANDABLE TO TRI WITH 80 GALLON TANK		DRAWING NUMBER: MSD05A3-EX3	REVISION: A
		SIZE: A	D

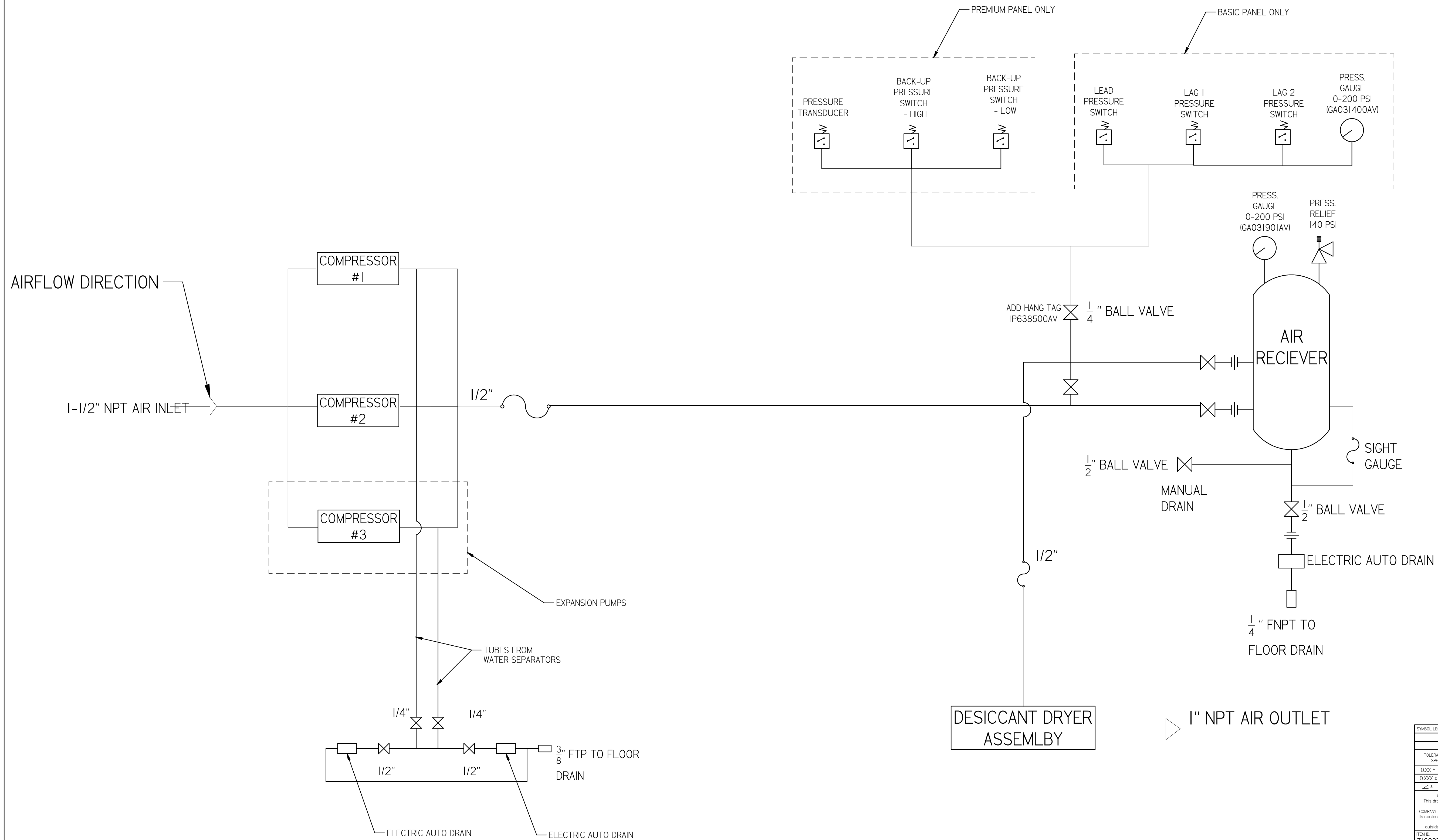


REVISION NOTES		
DESCRIPTION	ECN	PR/NOR
PRODUCTION RELEASE	PXECO169	N/A

# MSD05A3-EX3

MEDICAL OPEN SCROLL 5HP  
 DUPLEX EXPANDABLE TO TRI  
 WITH 80 GALLON TANK

## SYSTEM FLOW DIAGRAM



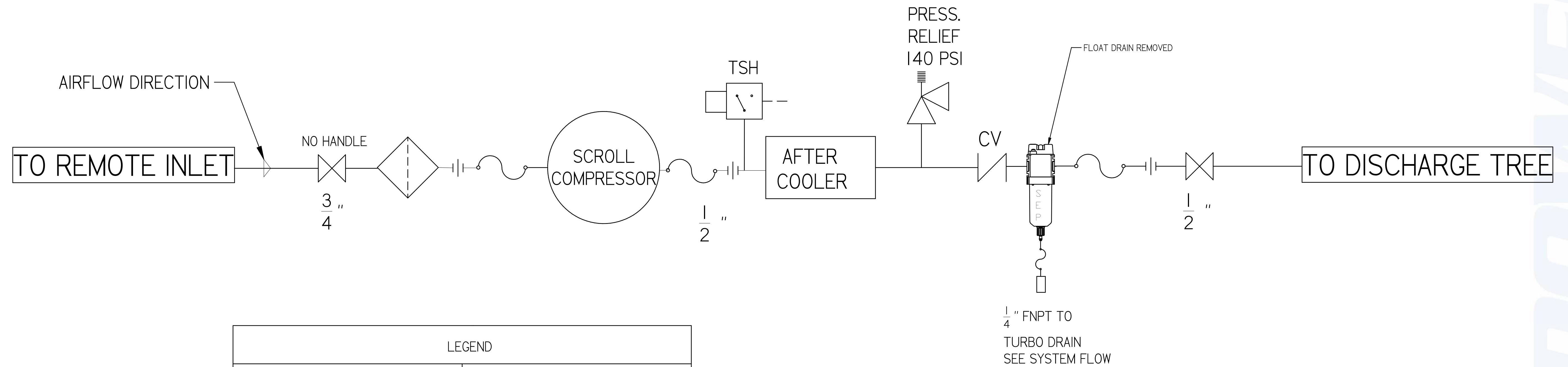
SYMBOL LEGEND		DRAWINGS TO CONFORM TO CURRENT REVISION OF THE FOLLOWING ANSI STANDARDS:	
TOLERANCES NOT SPECIFIED	SOLID EDGE DRAWING	Y14.3 MULTI AND SECTIONAL VIEW DIMS	Y14.5 DIMENSIONING AND TOLERANCING
0.XXX ± .01	INCH	DO NOT SCALE DRAWING FOR DIMENSIONS	
0.XXX ± .005		SHEET 3 OF 5	SCALE 1:1
± .5		APPROVALS ON FILE IN PLM	
<small>CONFIDENTIAL DISCLOSURE</small> This drawing is the property of POWEREX of the SCOTT FETTER COMPANY and is subject to return on demand. Its contents are confidential and must not be copied or submitted to outside parties for use or examination.		A Soulek	10/11/2018
ITEM NO: 716037			
MATERIAL: SEE PART NOTES	<small>150 PRODUCTION DRIVE, HARRISON OH 45030          (888) 768-7079</small>		
DESCRIPTION: MEDICAL OPEN SCROLL 5HP DUPLEX EXPANDABLE TO TRI WITH 80 GALLON TANK	DRAWING NUMBER: MSD05A3-EX3	REVISION: A	SIZE: D

REVISION NOTES		
DESCRIPTION	ECN	PR/NOR
PRODUCTION RELEASE	PXECO169	N/A

# MSD05A3-EX3

MEDICAL OPEN SCROLL 5HP  
 DUPLEX EXPANDABLE TO TRI  
 WITH 80 GALLON TANK

## MEDICAL COMPRESSOR FLOW DIAGRAM



LEGEND	
	RELIEF VALVE
	INTAKE FILTER
	AIR FILTER
	3 WAY VALVE
	CARBON FILTER
	BALL VALVE
	PRESSURE SWITCH
	REGULATOR
	SEPARATOR
	CHECK VALVE
	FLEX LINE
	TSH HIGH TEMP SWITCH

SYMBOL LEGEND		DRAWINGS TO CONFORM TO CURRENT REVISION OF THE FOLLOWING ANSI STANDARDS:	
		Y14.3 MULTI AND SECTIONAL VIEW DIMS Y14.5 DIMENSIONING AND TOLERANCING	
TOLERANCES NOT SPECIFIED	SOLID EDGE DRAWING	DO NOT SCALE DRAWING FOR DIMENSIONS	
0.001 ± .01	INCH	SHEET 4 OF 5	SCALE I:1
0.0005 ± .0005			
<small>CONFIDENTIAL DISCLOSURE</small> This drawing is the property of POWEREX of the SCOTT FETTER COMPANY and is subject to return on demand. Its contents are confidential and must not be copied or submitted to outside parties for use or examination.		AUTHOR	APPROVALS ON FILE IN PLM
DRAWING NUMBER: 716037 MATERIAL: SEE PART NOTES		ORIGINATION DATE: 10/11/2018	
DESCRIPTION: MEDICAL OPEN SCROLL 5HP DUPLEX EXPANDABLE TO TRI WITH 80 GALLON TANK		DRAWING NUMBER: MSD05A3-EX3	REVISION: A SIZE: D

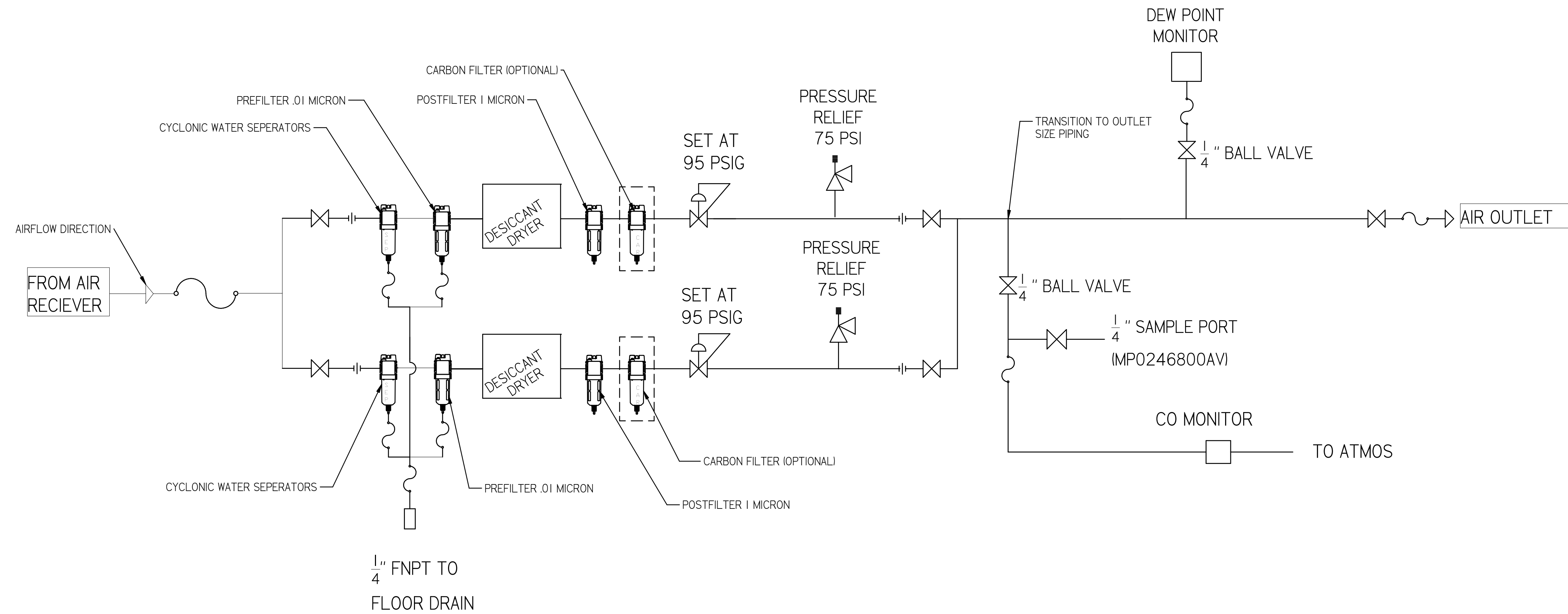


REVISION NOTES		
DESCRIPTION	ECN	PR/NOR
PRODUCTION RELEASE	PXECO169	N/A

# MSD05A3-EX3

MEDICAL OPEN SCROLL 5HP  
 DUPLEX EXPANDABLE TO TRI  
 WITH 80 GALLON TANK

## MEDICAL DRYER FLOW DIAGRAM



PUMP COUNT	DRYER PLUMBING SIZE	OUTLET PIPE SIZE
2	1/2"	1/2"
3	1/2"	1"
4	1/2"	1"
6	1"	1-1/2"
8	1"	1-1/2"
9	1"	1-1/2"
12	1-1/2"	2"
15	1-1/2"	2"
18	1-1/2"	2"

SYMBOL LEGEND		DRAWINGS TO CONFORM TO CURRENT REVISION OF THE FOLLOWING ANSI STANDARDS: Y14.3 MULTI AND SECTIONAL VIEW DIMS Y14.5 DIMENSIONING AND TOLERANCING	
TOLERANCES NOT SPECIFIED	SOLID EDGE DRAWING	DO NOT SCALE DRAWING FOR DIMENSIONS	
0.XXX ± .01	INCH	SHEET 5 OF 5	SCALE 1:1
0.XXX ± .005			
± .5			
<small>CONFIDENTIAL DISCLOSURE</small> This drawing is the property of POWEREX of the SCOTT FETTER COMPANY and is subject to return on demand. Its contents are confidential and must not be copied or submitted to outside parties for use or examination.		AUTHOR	ORIGINATION DATE
<small>CONFIDENTIAL DISCLOSURE</small> This drawing is the property of POWEREX of the SCOTT FETTER COMPANY and is subject to return on demand. Its contents are confidential and must not be copied or submitted to outside parties for use or examination.		ASoulek	10/11/2018
<small>CONFIDENTIAL DISCLOSURE</small> This drawing is the property of POWEREX of the SCOTT FETTER COMPANY and is subject to return on demand. Its contents are confidential and must not be copied or submitted to outside parties for use or examination.			
<small>CONFIDENTIAL DISCLOSURE</small> This drawing is the property of POWEREX of the SCOTT FETTER COMPANY and is subject to return on demand. Its contents are confidential and must not be copied or submitted to outside parties for use or examination.		150 PRODUCTION DRIVE, HARRISON OH 45030 (888) 768-7079	
ITEM NO:	716037	DRAWING NUMBER:	MSD05A3-EX3
MATERIAL:		REVISION:	A
SEE PART NOTES		SIZE:	D
DESCRIPTION:	MEDICAL OPEN SCROLL 5HP DUPLEX EXPANDABLE TO TRI WITH 80 GALLON TANK		

