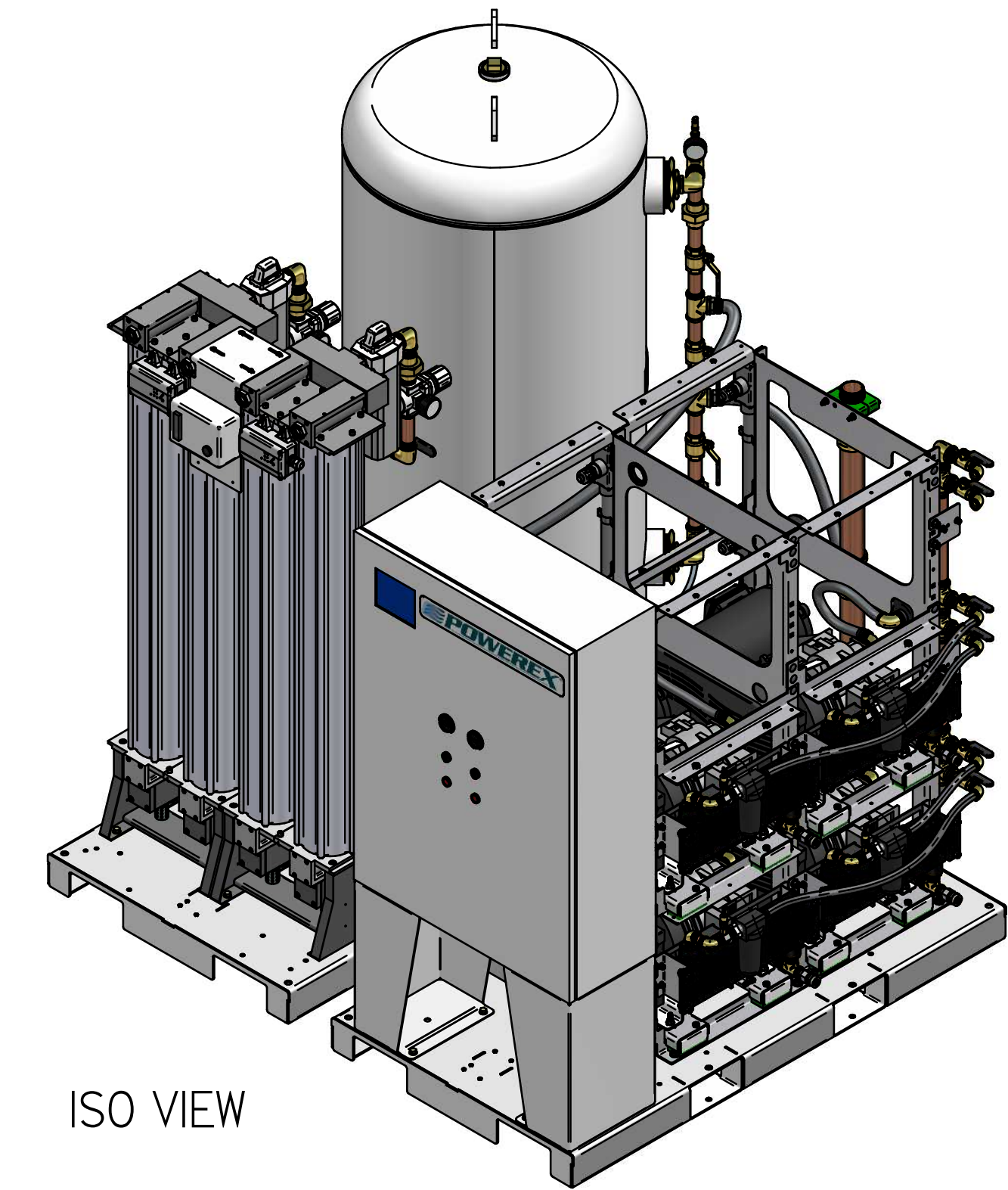
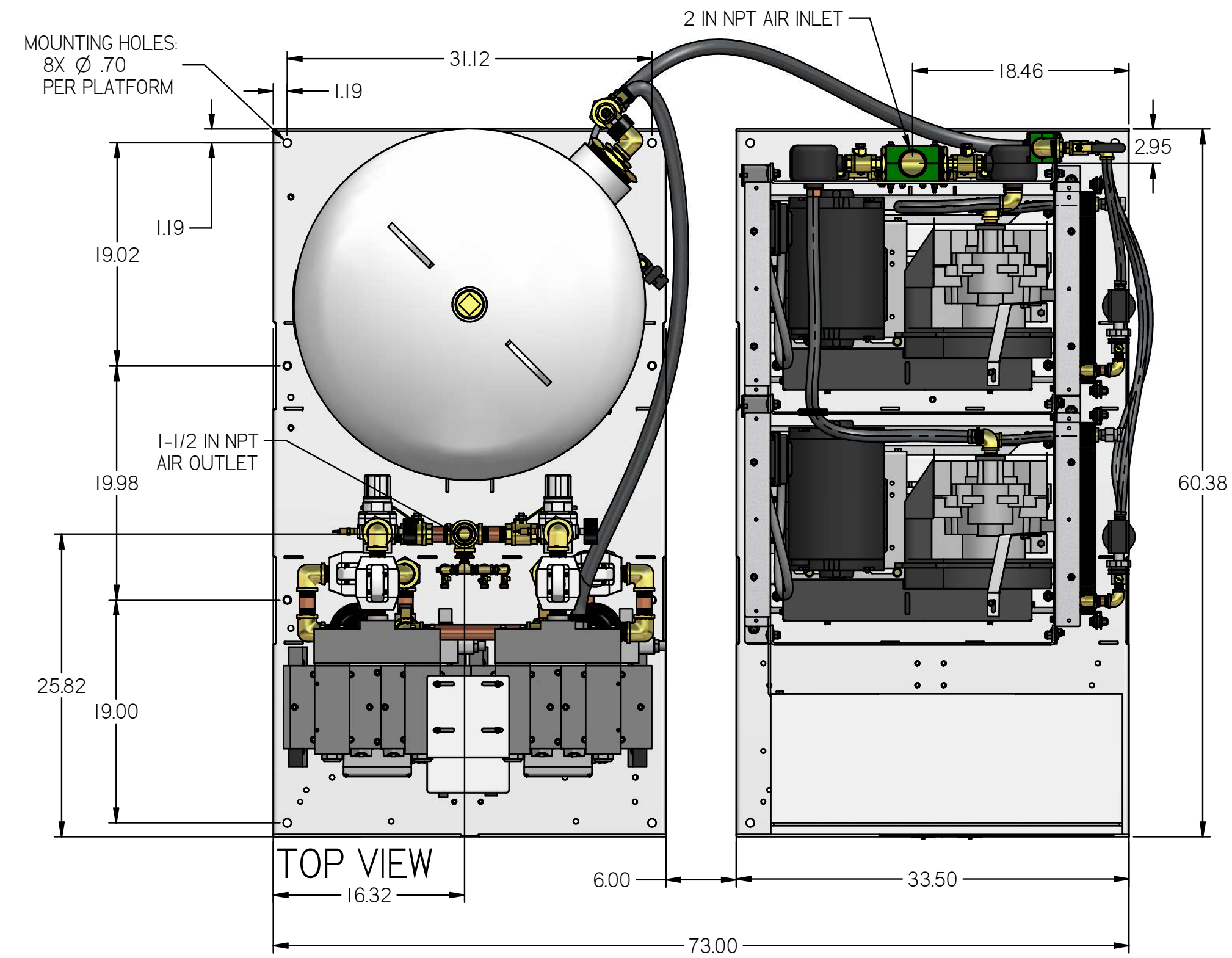


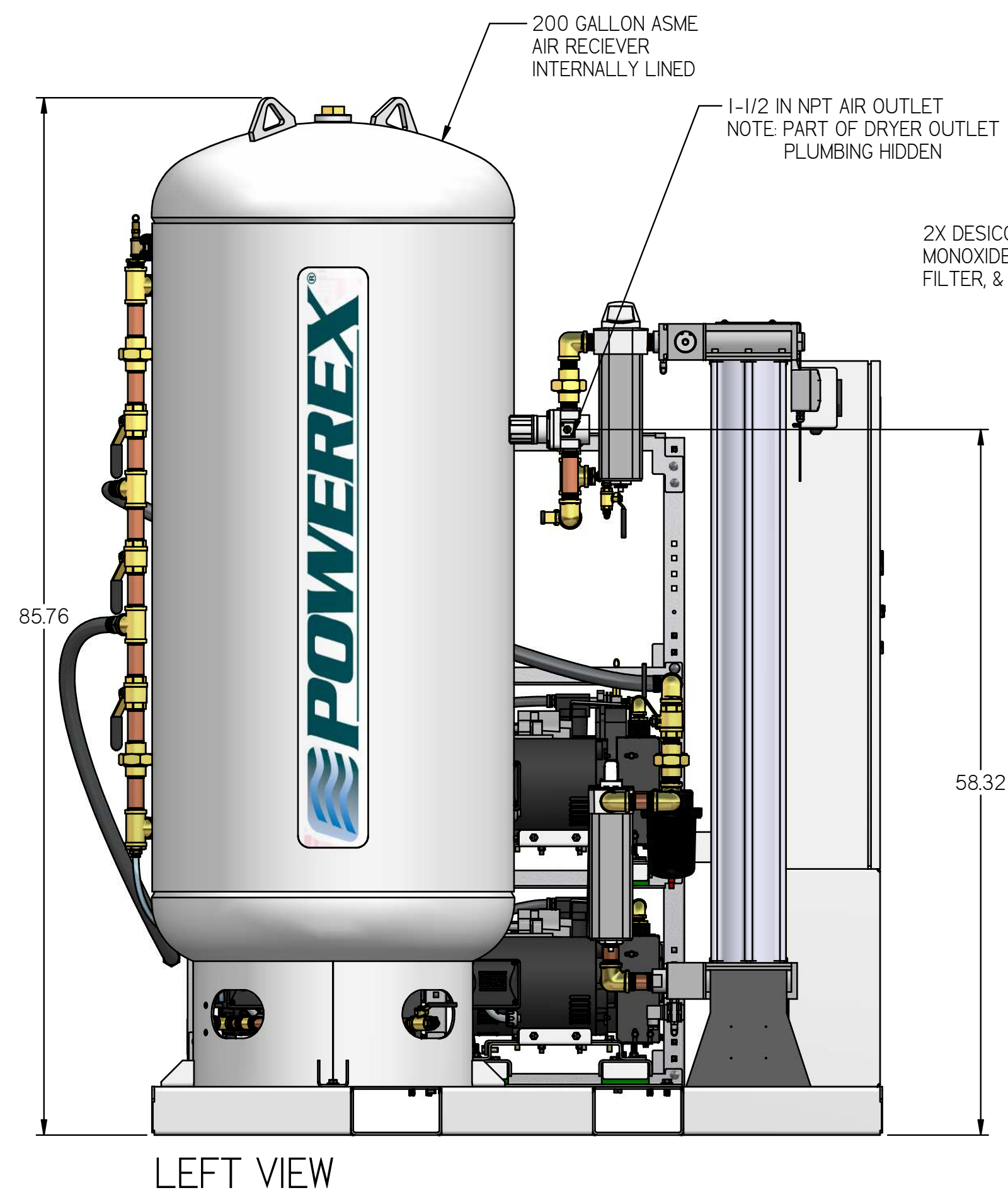
REVISION NOTES		
DESCRIPTION	ECN	PR/NOR
PRODUCTION RELEASE	PXEC0169	N/A

MSD10A5-EX3

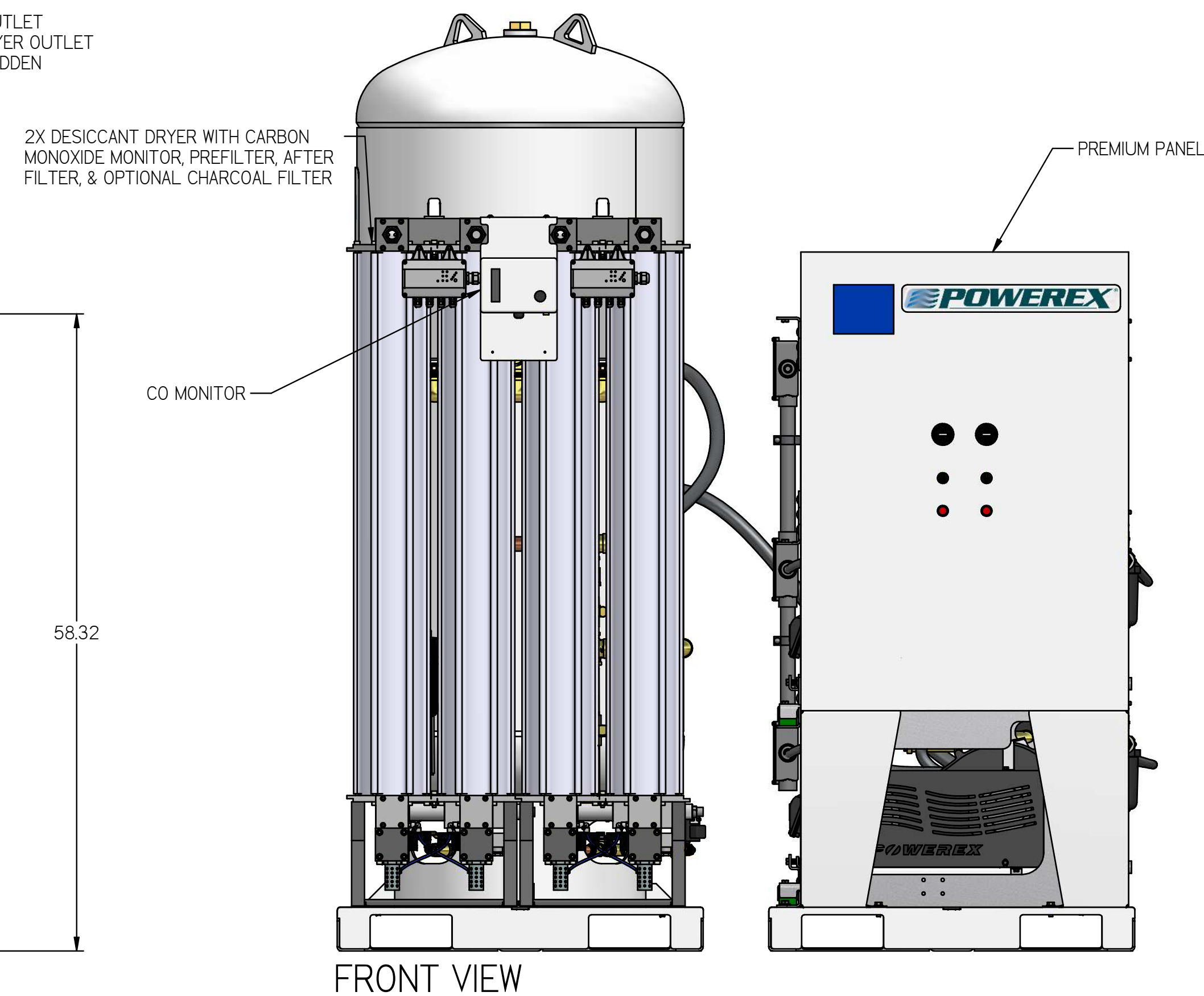
MEDICAL OPEN SCROLL 10HP
 DUPLEX EXPANDABLE TO TRI
 WITH 200 GALLON TANK
 PREMIUM PANEL



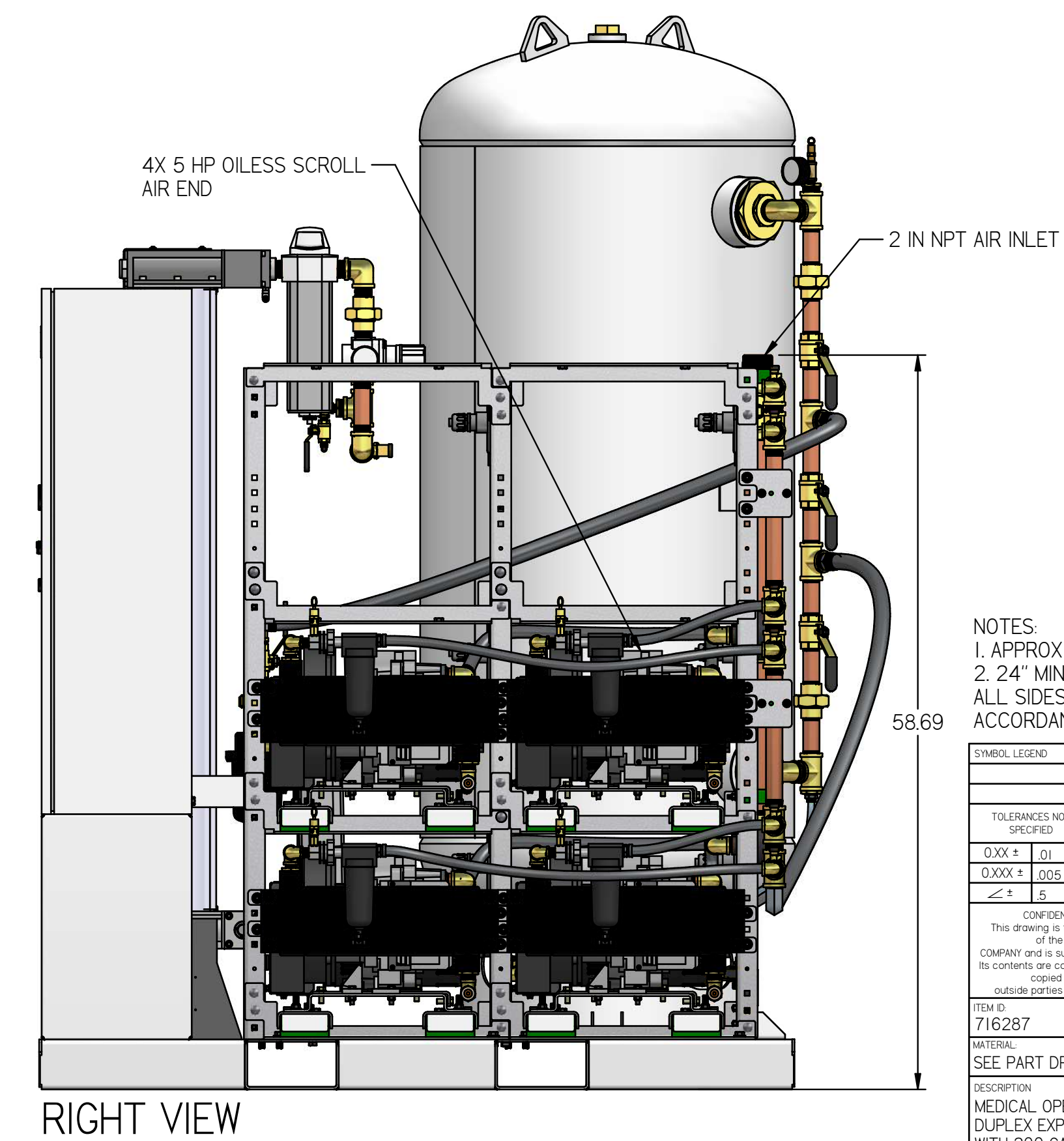
ISO VIEW



LEFT VIEW



FRONT VIEW



RIGHT VIEW

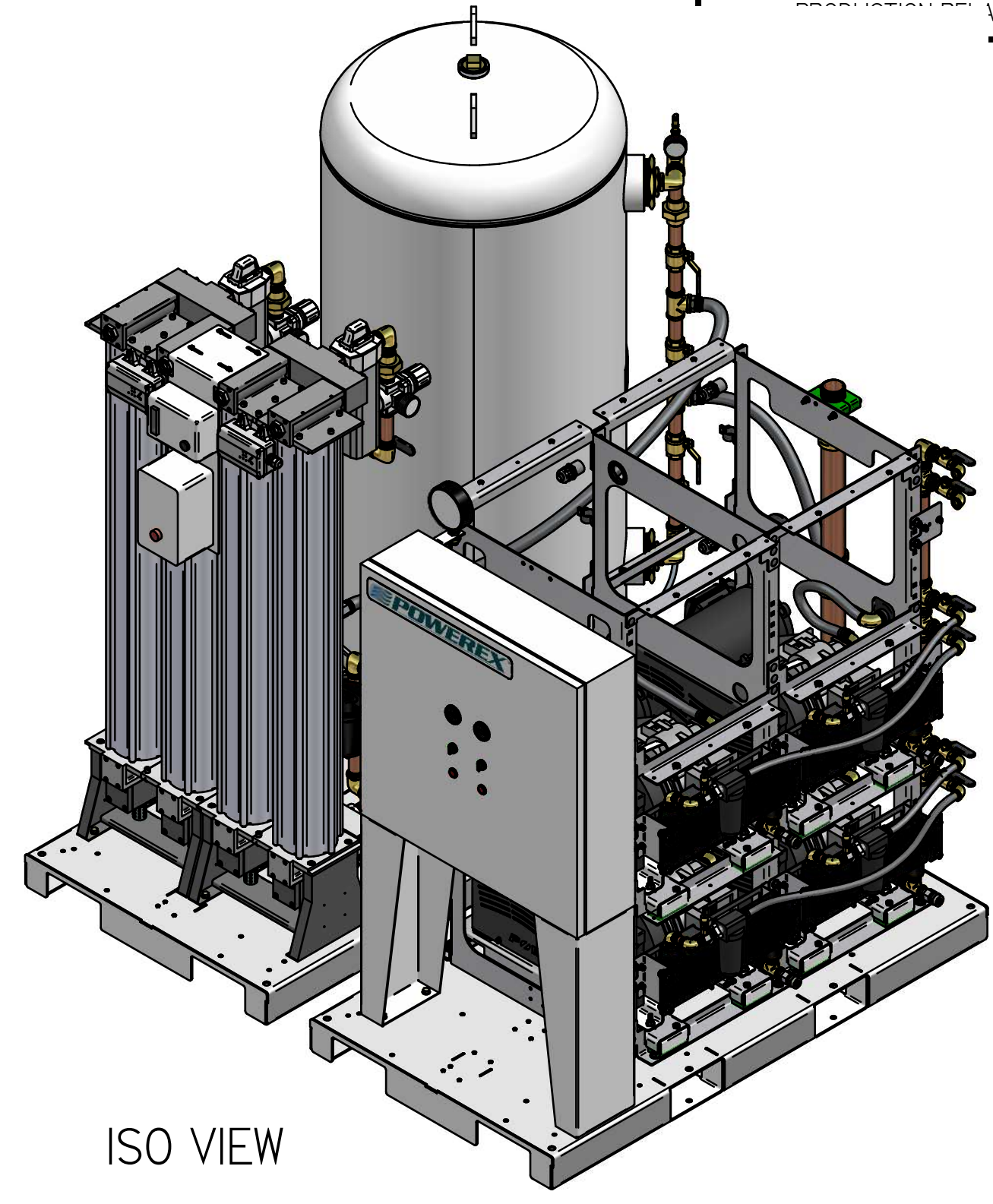
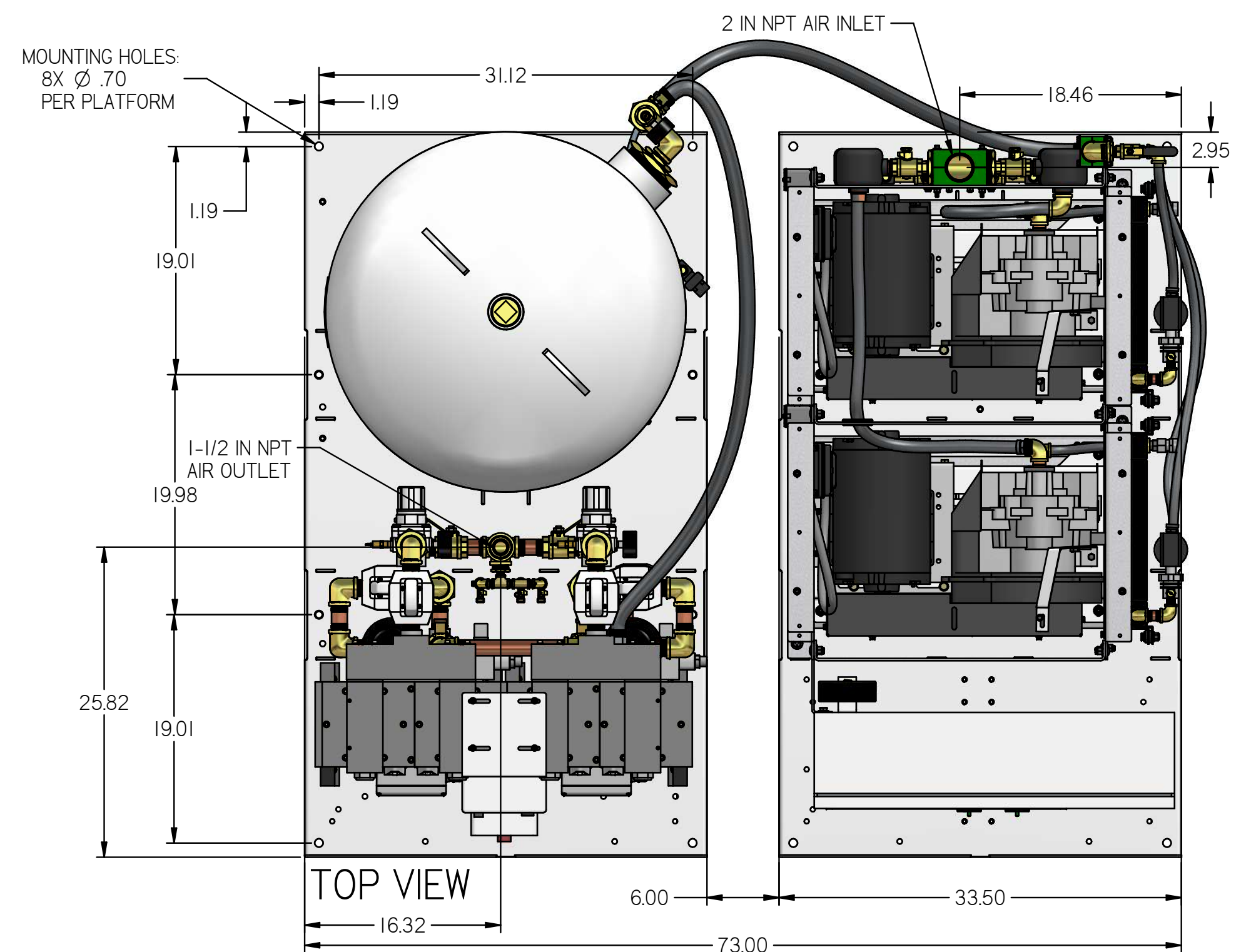
- NOTES:
 1. APPROX SYSTEM WEIGHT: 2748 LB
 2. 24" MINIMUM MAINTENANCE CLEARANCE RECOMMENDED ALL SIDES. CLEARANCE FOR CONTROL PANEL SHALL BE IN ACCORDANCE WITH OSHA/NEC REQUIREMENTS

SYMBOL LEGEND		DRAWINGS TO CONFORM TO CURRENT REVISION OF THE FOLLOWING ANSI STANDARDS:		
TOLERANCES NOT SPECIFIED	SOLID EDGE DRAWING	DO NOT SCALE DRAWING FOR DIMENSIONS		
0.XXX ± .01	INCH	SHEET 1 OF 5	SCALE	1:10
0.XXX ± .005				
CONFIDENTIAL DISCLOSURE: This drawing is the property of POWEREX of the SCOTT FETTER COMPANY and is subject to return on demand. Its contents are confidential and must not be copied or submitted to outside parties for use or examination.		AUTHOR	ORIGINATION DATE	APPROVALS ON FILE IN PLM
DRAWING NUMBER: 716287		ASoulek	10/2/2018	
MATERIAL: SEE PART DRAWINGS				
DESCRIPTION: MEDICAL OPEN SCROLL 10HP DUPLEX EXPANDABLE TO TRI WITH 200 GALLON TANK				
DRAWING NUMBER: MSD10A5-EX3		REVISION	SIZE	
		A	D	

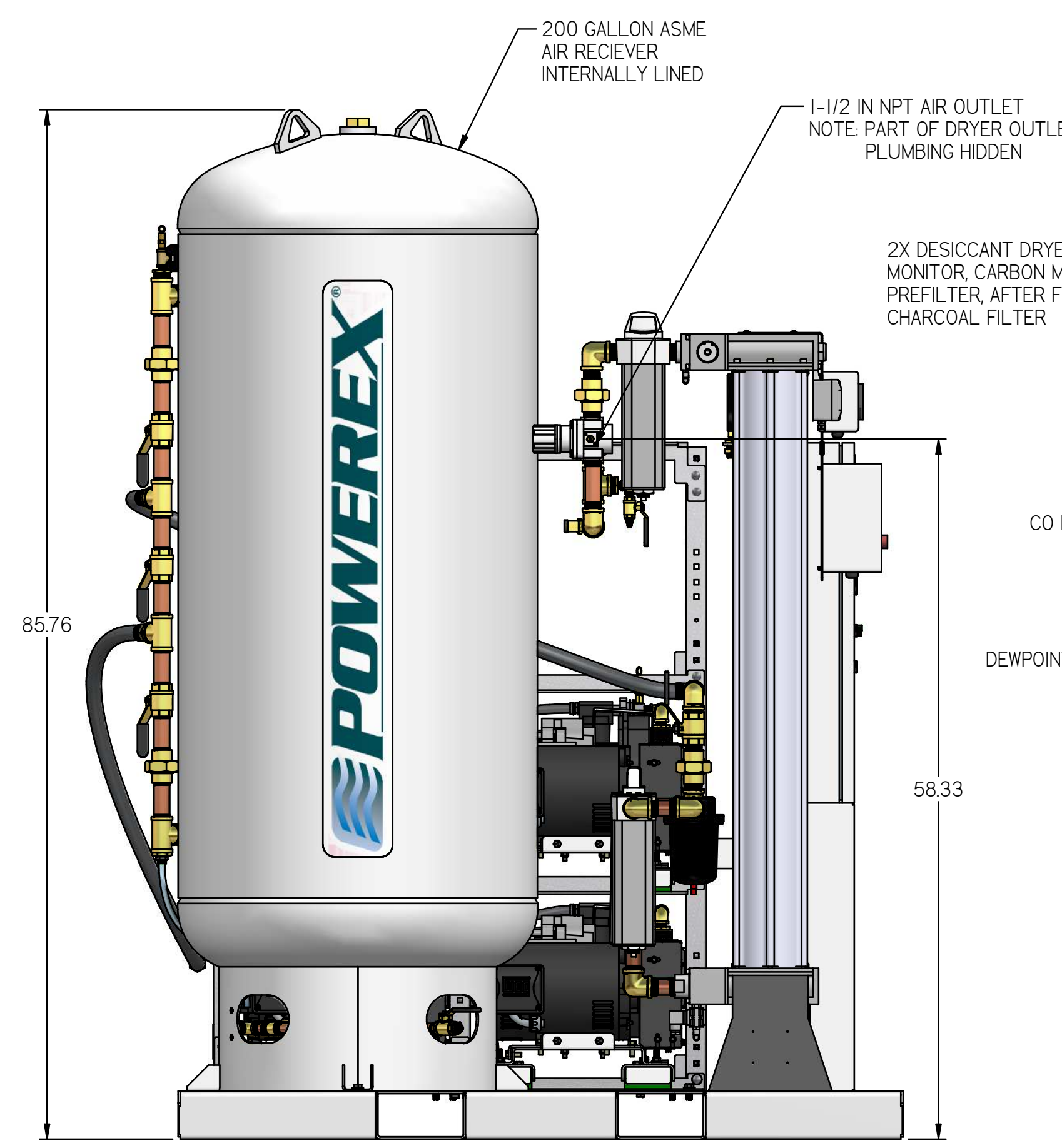
MSD10A5-EX3

MEDICAL OPEN SCROLL 10HP
 DUPLEX EXPANDABLE TO TRI
 WITH 200 GALLON TANK
 BASIC PANEL

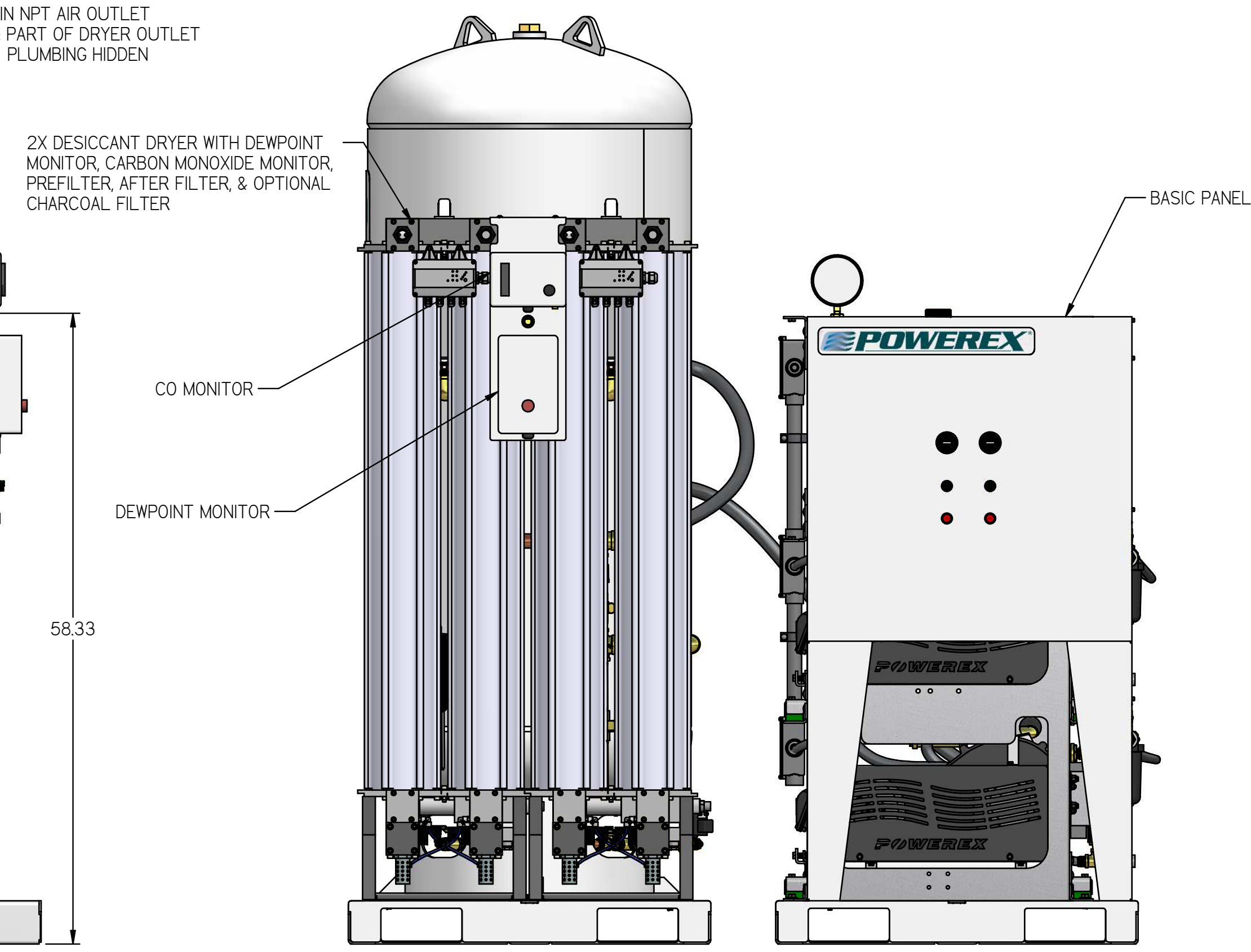
REVISION NOTES		
DESCRIPTION	ECN	PR/NOR
PRODUCTION RELEASE	PXEC0169	N/A



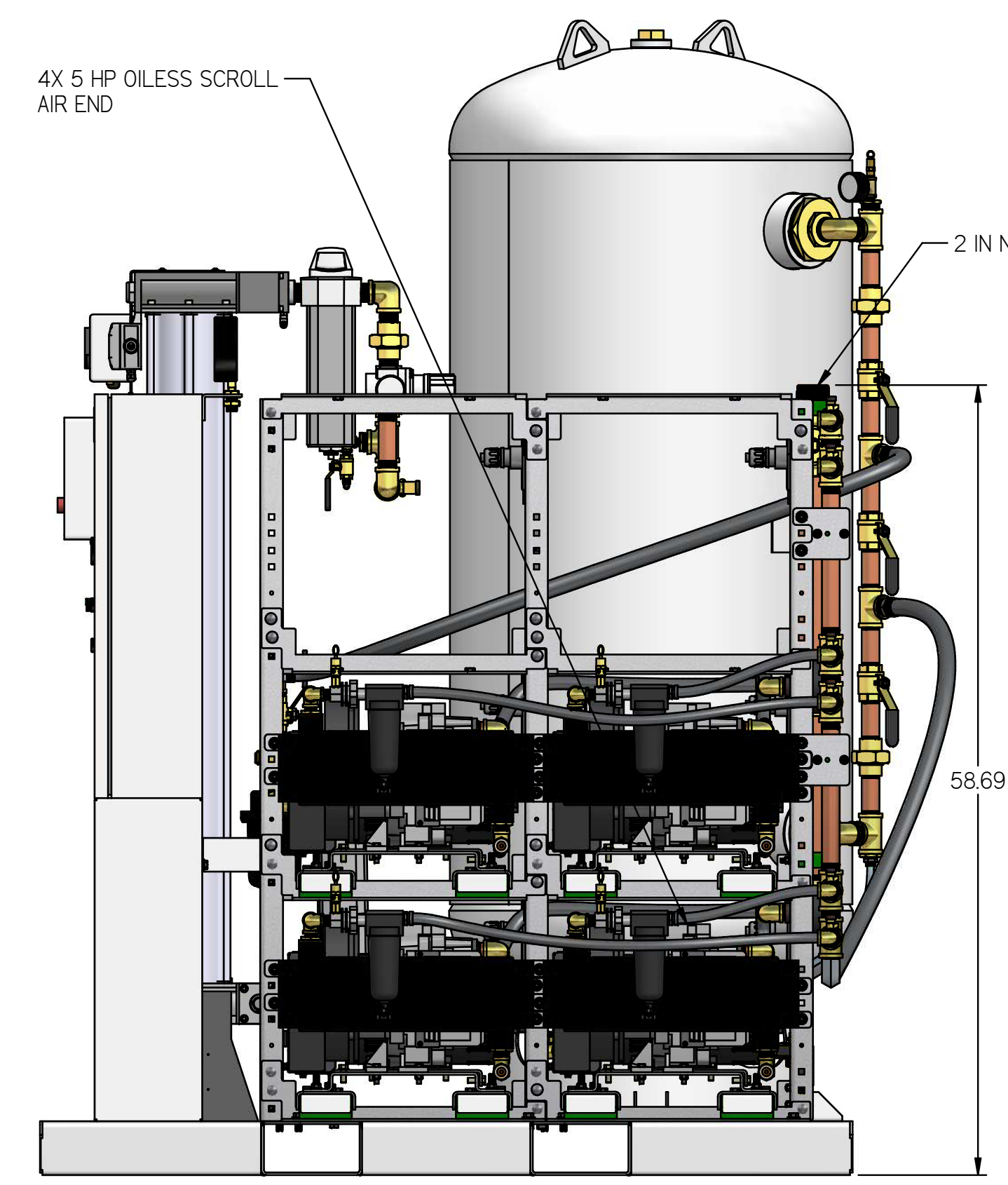
ISO VIEW



LEFT VIEW



FRONT VIEW



RIGHT VIEW

- NOTES:
 1. APPROX SYSTEM WEIGHT: 2748 LB
 2. 24" MINIMUM MAINTENANCE CLEARANCE RECOMMENDED ALL SIDES. CLEARANCE FOR CONTROL PANEL SHALL BE IN ACCORDANCE WITH OSHA/NEC REQUIREMENTS

SYMBOL LEGEND		DRAWINGS TO CONFORM TO CURRENT REVISION OF THE FOLLOWING ANSI STANDARDS:	
TOLERANCES NOT SPECIFIED	SOLID EDGE DRAWING	Y14.3 MULTI AND SECTIONAL VIEW DIMS	Y14.5 DIMENSIONING AND TOLERANCING
0.XXX ± .01	DRAWING	INCH	DO NOT SCALE DRAWING FOR DIMENSIONS
0.XXX ± .005			
± .5			
<small>CONFIDENTIAL DISCLOSURE</small> This drawing is the property of POWEREX of the SCOTT FETTER COMPANY and is subject to return on demand. Its contents are confidential and must not be copied or submitted to outside parties for use or examination.		<small>AUTHOR</small> ASoulek	<small>ORIGINATION DATE</small> 10/2/2018
<small>FIGURE</small> 716287			<small>APPROVALS ON FILE IN PLM</small>
<small>MATERIAL</small> SEE PART DRAWINGS	<small>DRAWING NUMBER</small> MSD10A5-EX3	<small>REVISION</small> A	<small>SIZE</small> D

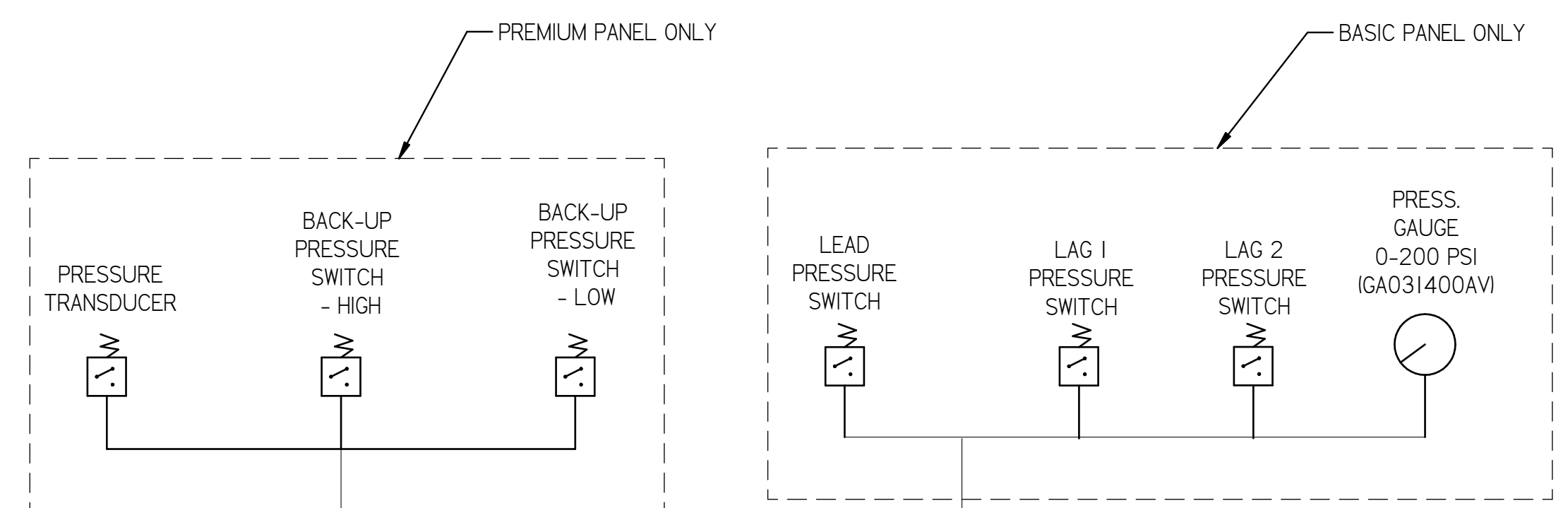
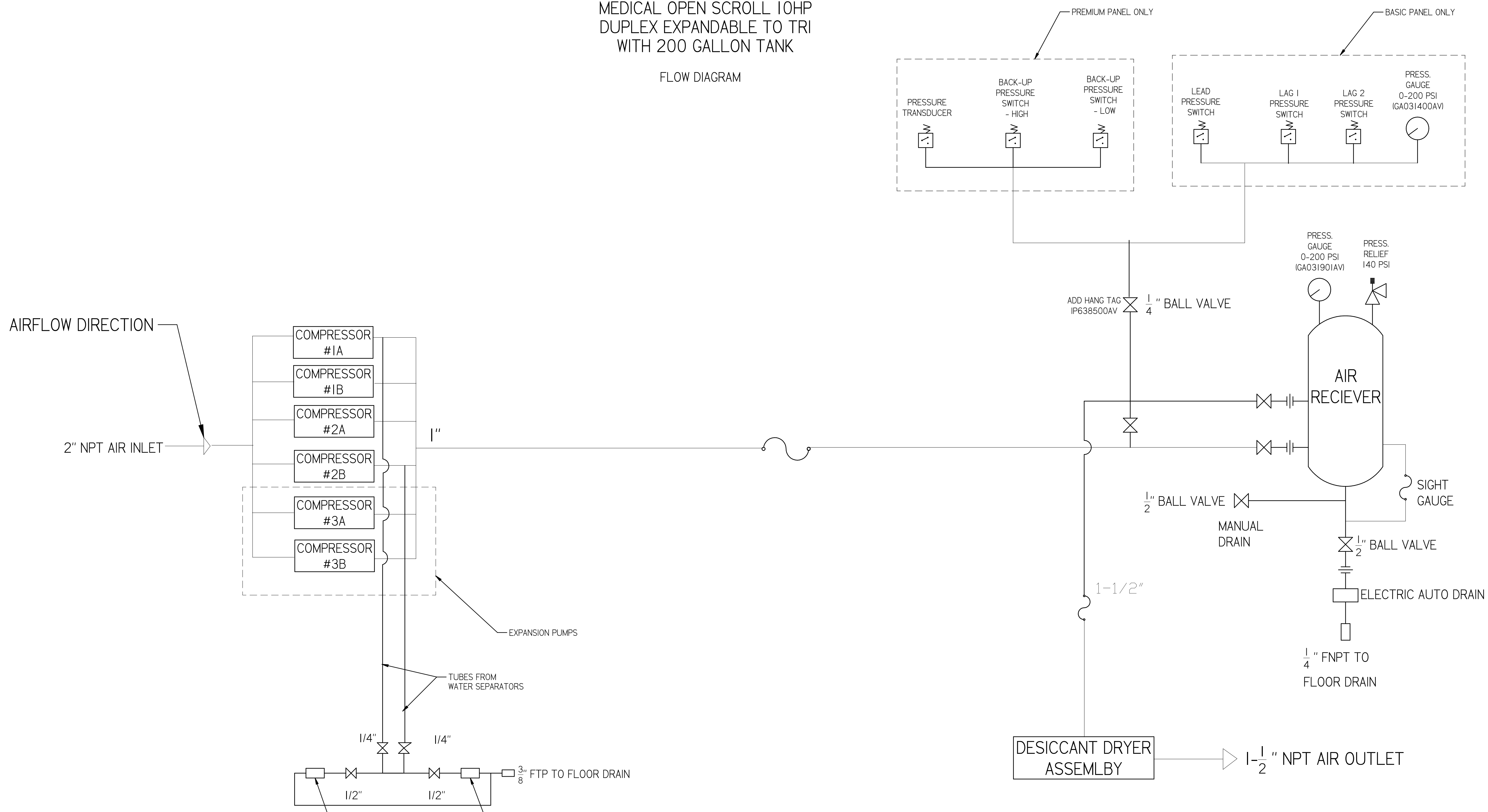


MSD10A5-EX3

MEDICAL OPEN SCROLL 10HP
 DUPLEX EXPANDABLE TO TRI
 WITH 200 GALLON TANK

FLOW DIAGRAM

REVISION NOTES		
DESCRIPTION	ECN	PR/NOR
PRODUCTION RELEASE	PXECO169	N/A

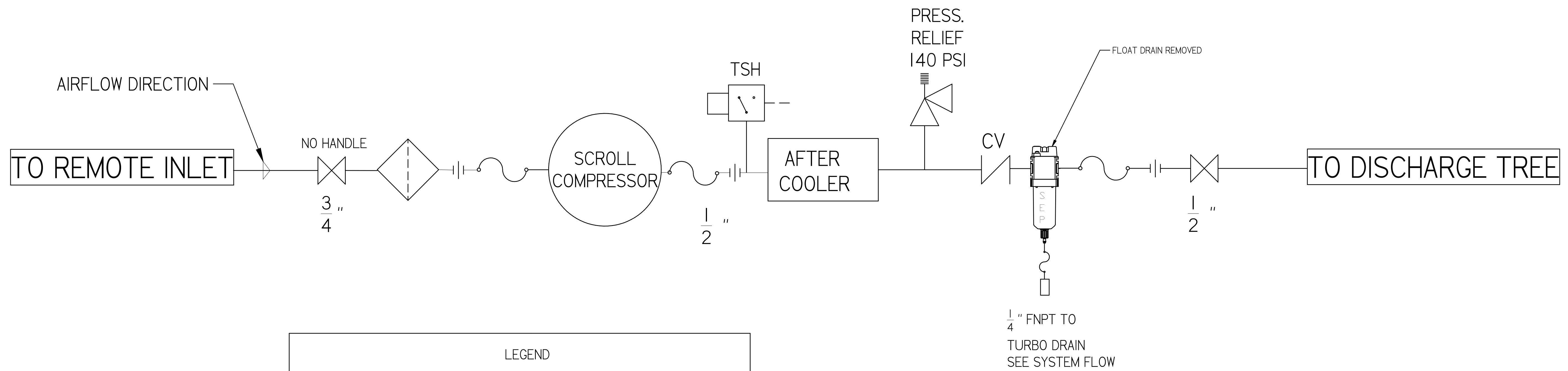


SYMBOL LEGEND		DRAWINGS TO CONFORM TO CURRENT REVISION OF THE FOLLOWING ANSI STANDARDS: Y14.3 MULTI AND SECTIONAL VIEW DIMS Y14.5 DIMENSIONING AND TOLERANCING	
TOLERANCES NOT SPECIFIED	SOLID EDGE DRAWING	DO NOT SCALE DRAWING FOR DIMENSIONS	
0.XXX ± .01	INCH	SHEET 3 OF 5	SCALE 1:1
0.XXX ± .005			
CONFIDENTIAL DISCLOSURE This drawing is the property of POWEREX of the SCOTT FETTER COMPANY and is subject to return on demand. Its contents are confidential and must not be copied or submitted to outside parties for use or examination.		AUTHOR	APPROVALS ON FILE IN PLM
ITEM NO: 716287	MATERIAL: SEE PART DRAWINGS	ORIGINATION DATE: 10/2/2018	
DRAWING NUMBER: MSD10A5-EX3		REVISION: A	SIZE: D

REVISION NOTES		
DESCRIPTION	ECN	PR/NOR
PRODUCTION RELEASE	PXEC0169	N/A

MSD10A5-EX3

MEDICAL OPEN SCROLL 10HP
 DUPLEX EXPANDABLE TO TRI
 WITH 200 GALLON TANK
 MEDICAL COMPRESSOR
 FLOW DIAGRAM



LEGEND	
	RELIEF VALVE
	INTAKE FILTER
	AIR FILTER
	3 WAY VALVE
	CARBON FILTER
	BALL VALVE
	PRESSURE SWITCH
	REGULATOR
	SEPARATOR
	CHECK VALVE
	FLEX LINE
	TSH HIGH TEMP SWITCH

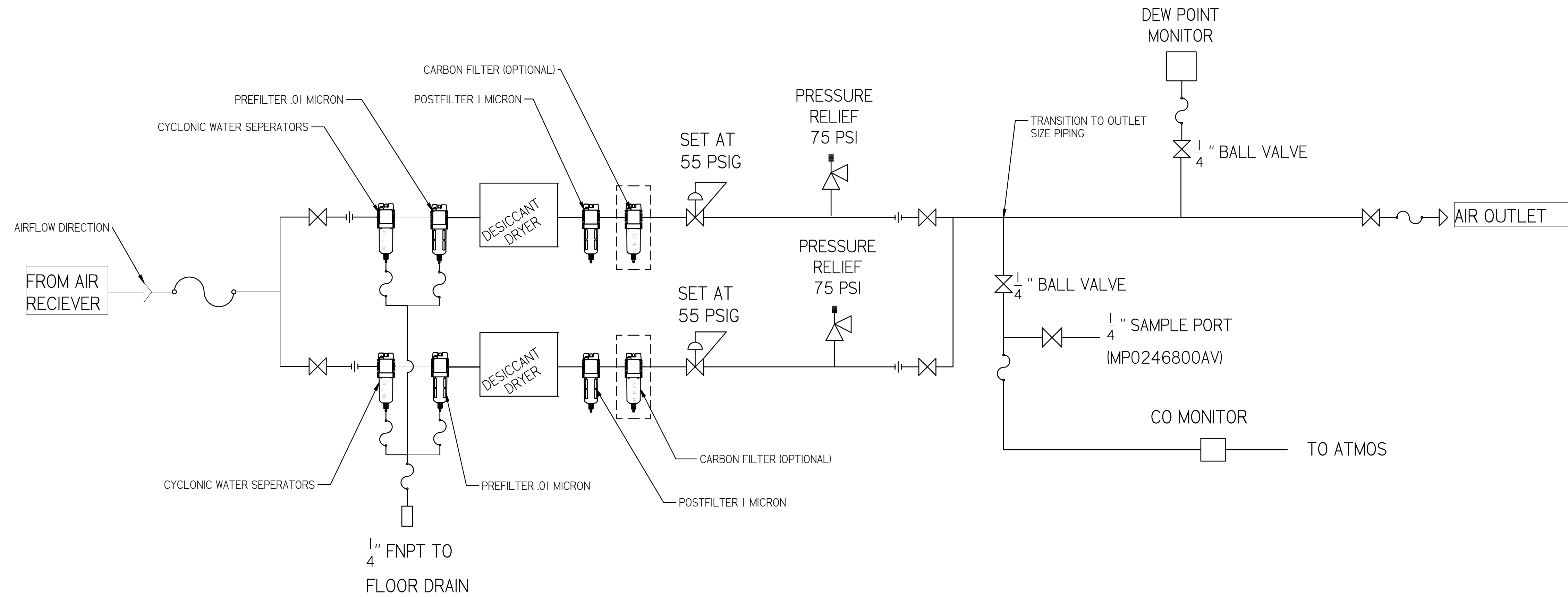
SYMBOL LEGEND		DRAWINGS TO CONFORM TO CURRENT REVISION OF THE FOLLOWING ANSI STANDARDS:	
TOLERANCES NOT SPECIFIED:		Y14.3 MULTI AND SECTIONAL VIEW DIMS	
0.001 ± .01	SOLID EDGE DRAWING	DO NOT SCALE DRAWING FOR DIMENSIONS	
0.0005 ± .0005		SHEET 4 OF 5	SCALE 1:1
CONFIDENTIAL DISCLOSURE: This drawing is the property of POWEREX of the SCOTT FETTER COMPANY and is subject to return on demand. Its contents are confidential and must not be copied or submitted to outside parties for use or examination.		AUTHOR	APPROVALS ON FILE IN PLM
716287		ASoulek	10/2/2018
MATERIAL: SEE PART DRAWINGS			
DESCRIPTION: MEDICAL OPEN SCROLL 10HP DUPLEX EXPANDABLE TO TRI WITH 200 GALLON TANK		DRAWING NUMBER: MSD10A5-EX3	REVISION: A
			SIZE: D

POWEREX

REVISION NOTES		
DESCRIPTION	ECN	PR/NOR
PRODUCTION RELEASE	PXECO169	N/A

MSD10A5-EX3

MEDICAL OPEN SCROLL 10HP
 DUPLEX EXPANDABLE TO TRI
 WITH 200 GALLON TANK
 MEDICAL DRYER
 FLOW DIAGRAM



PUMP COUNT	DRYER PLUMBING SIZE	OUTLET PIPE SIZE
2	1/2"	1/2"
3	1/2"	1"
4	1/2"	1"
6	1"	1-1/2"
8	1"	1-1/2"
9	1"	1-1/2"
12	1-1/2"	2"
15	1-1/2"	2"
18	1-1/2"	2"

SYMBOL LEGEND		DRAWINGS TO CONFORM TO CURRENT REVISION OF THE FOLLOWING ANSI STANDARDS: Y14.3 MULTI AND SECTIONAL VIEW DWGS Y14.5 DIMENSIONING AND TOLERANCING	
TOLERANCES NOT SPECIFIED	SOLID EDGE DRAWING	DO NOT SCALE DRAWING FOR DIMENSIONS	
0.XXX ± .01	INCH	SHEET 5 OF 5	SCALE 1:1
0.XXX ± .005			
CONFIDENTIAL DISCLOSURE This drawing is the property of POWEREX of the SCOTT FETTER COMPANY and is subject to return on demand. Its contents are confidential and must not be copied or submitted to outside parties for use or examination.		AUTHOR	ORIGINATION DATE
TITLE: 716287		ASoulek	10/2/2018
MATERIAL: SEE PART DRAWINGS			
DESCRIPTION: MEDICAL OPEN SCROLL 10HP DUPLEX EXPANDABLE TO TRI WITH 200 GALLON TANK		DRAWING NUMBER: MSD10A5-EX3	REVISION: A
			SIZE: D

