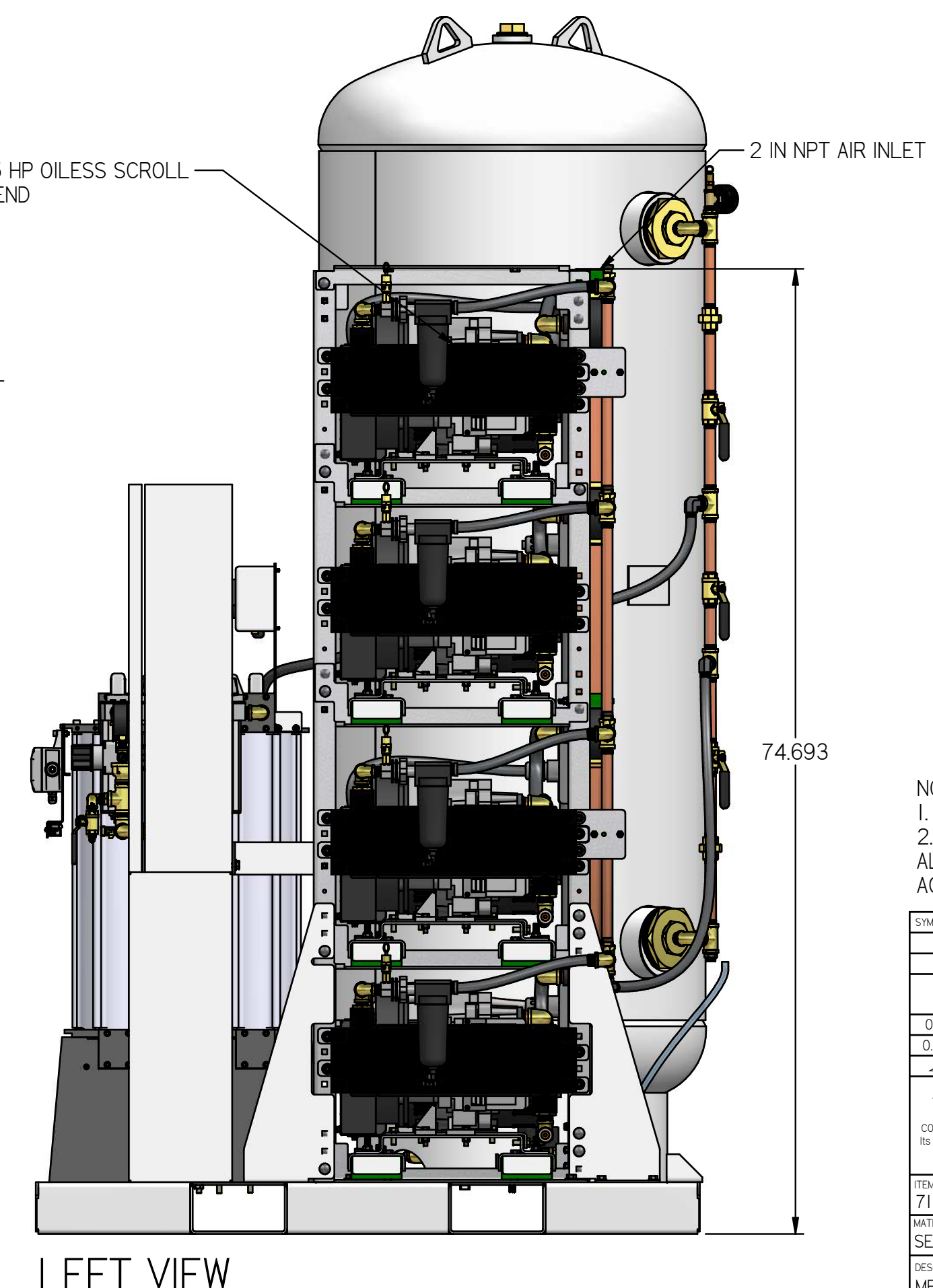
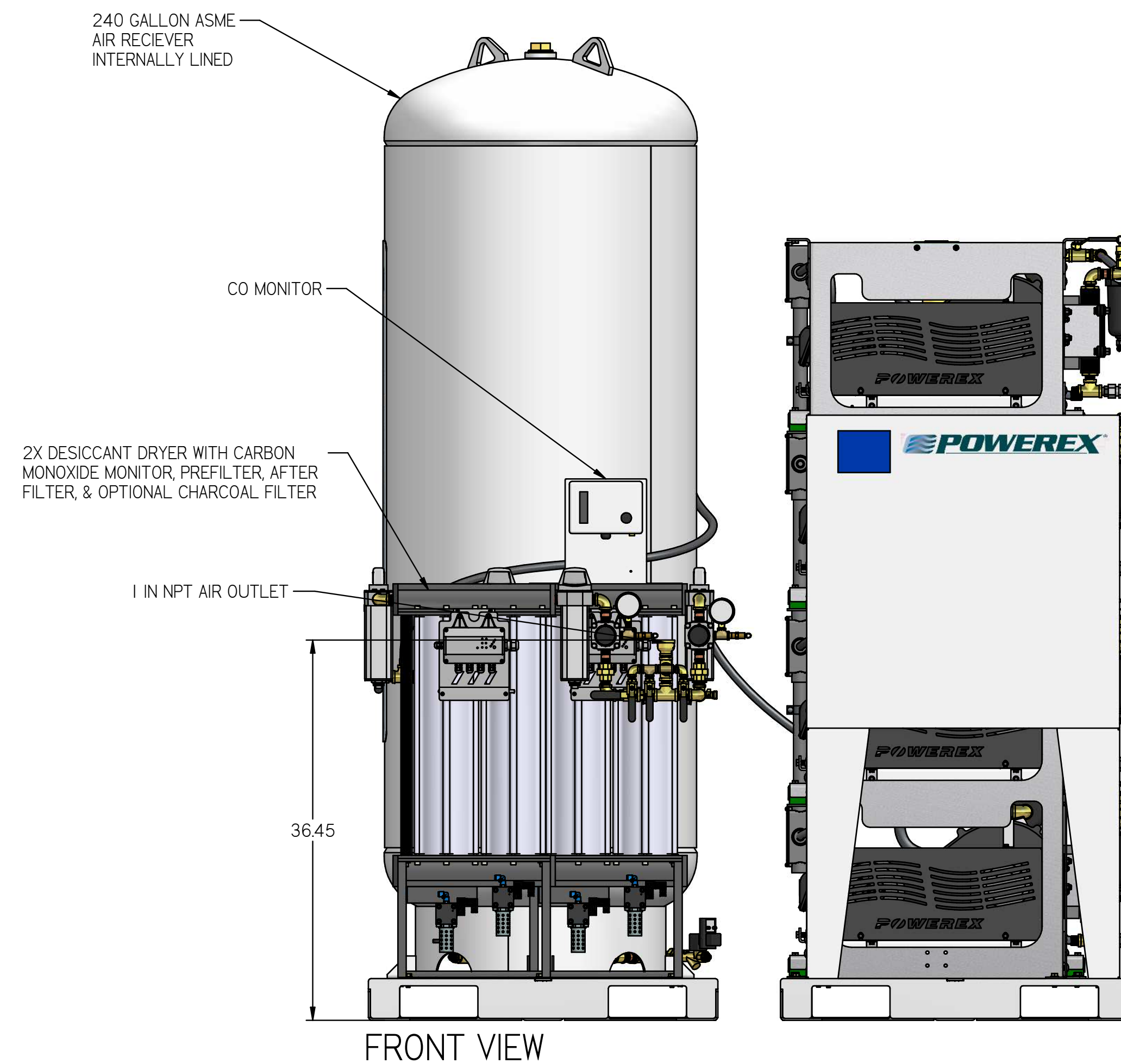
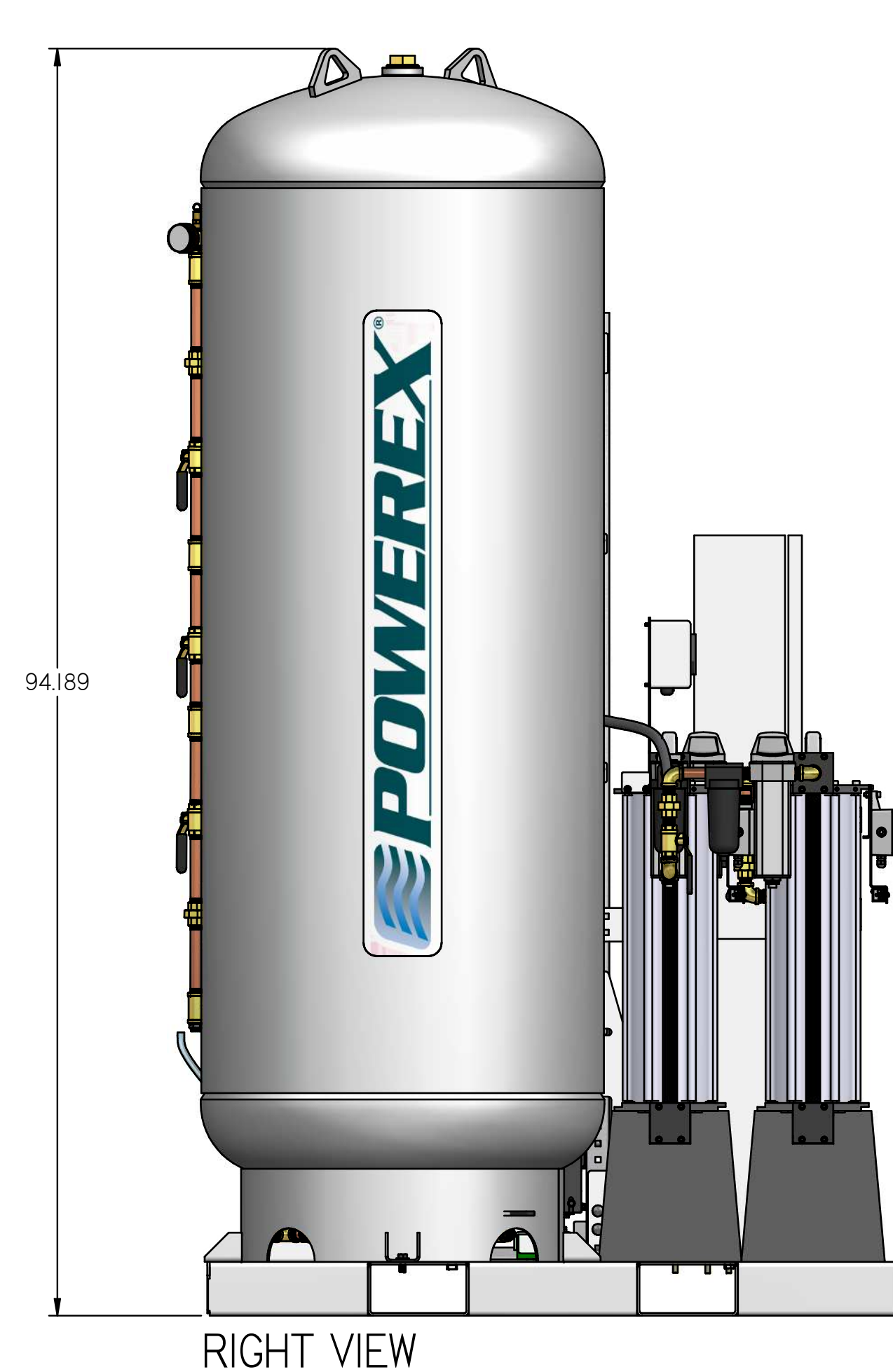
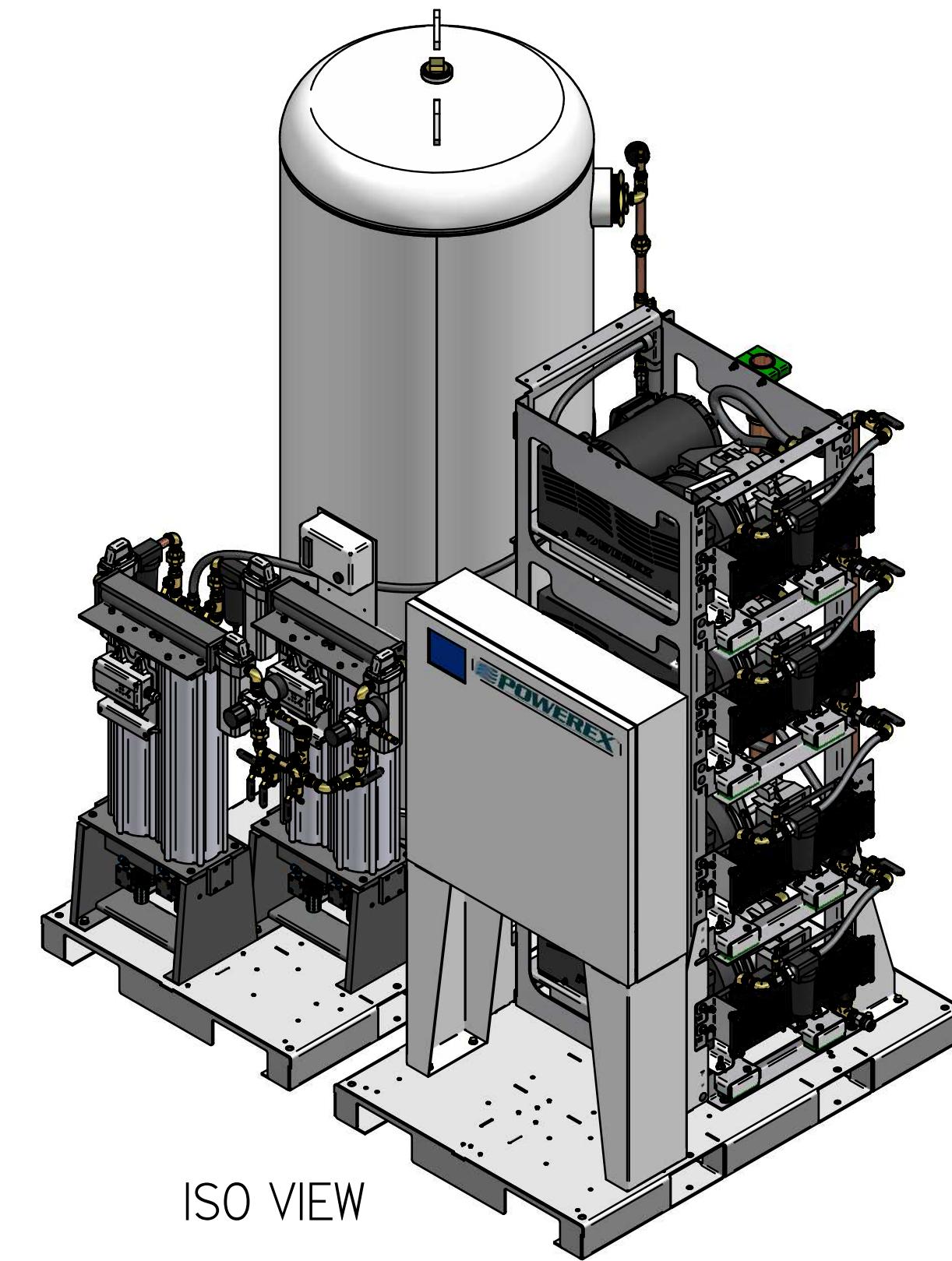
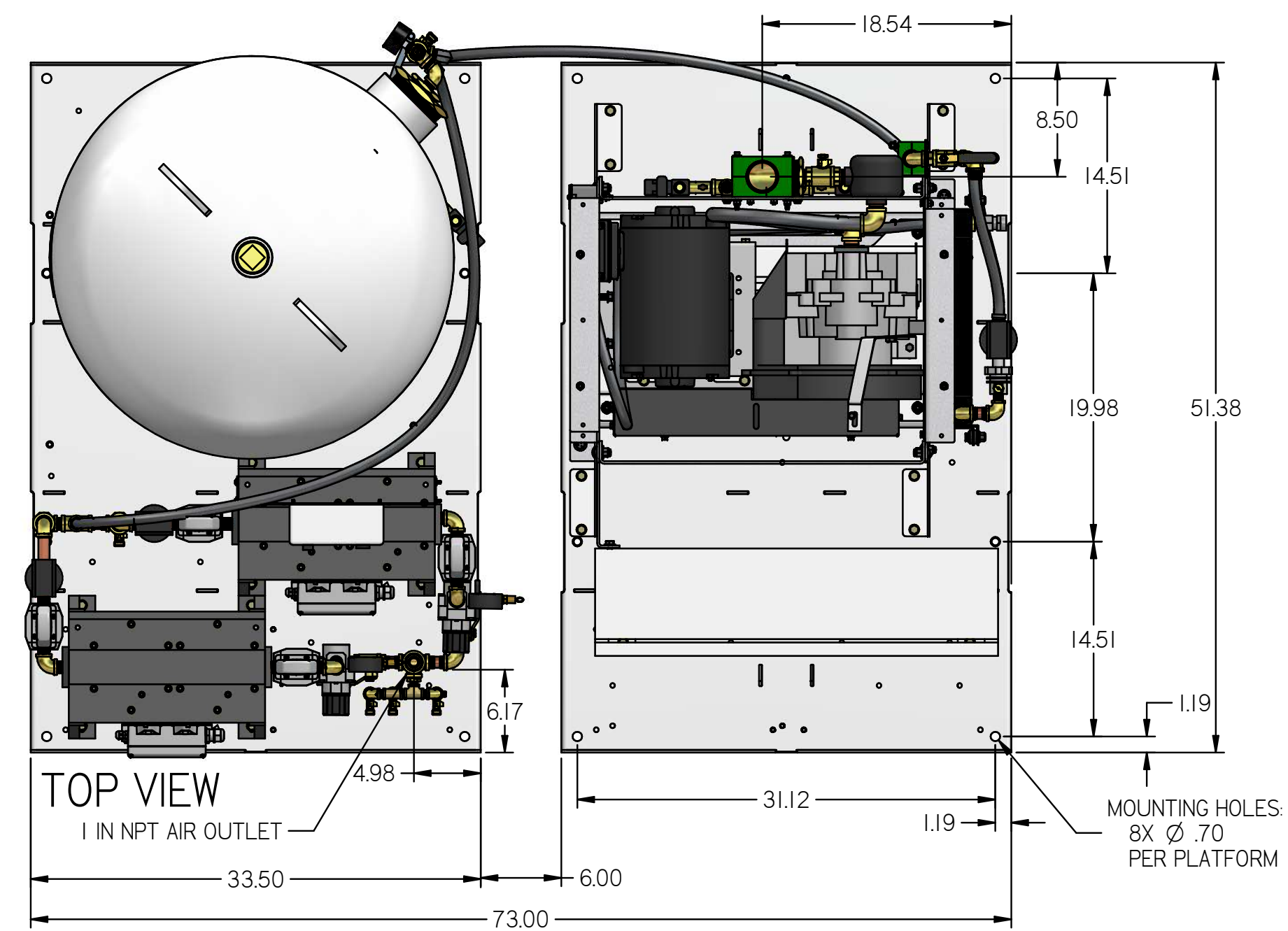


REVISION NOTES		
DESCRIPTION	ECN	PR/NOR
PRODUCTION RELEASE	PXECO169	N/A

MSD10A6

MEDICAL OPEN SCROLL
SYSTEM 10 HP DUPLEX 240
TANK
PREMIUM PANEL



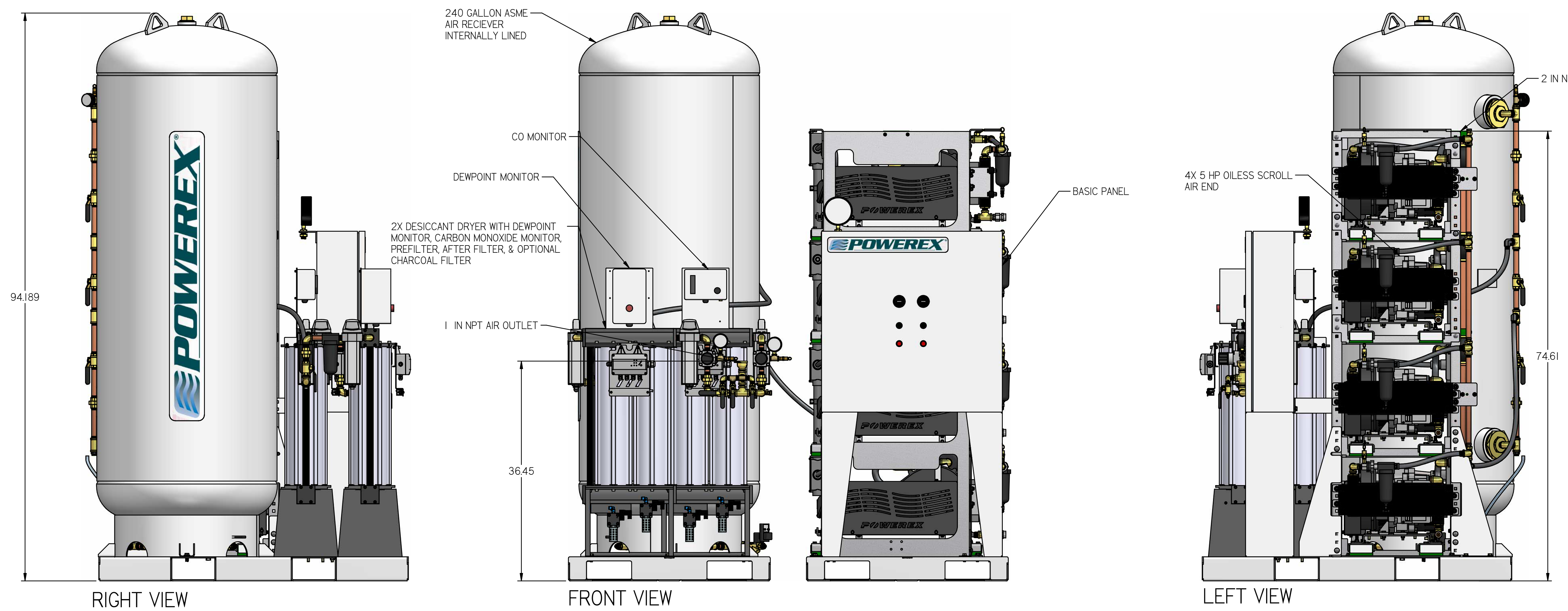
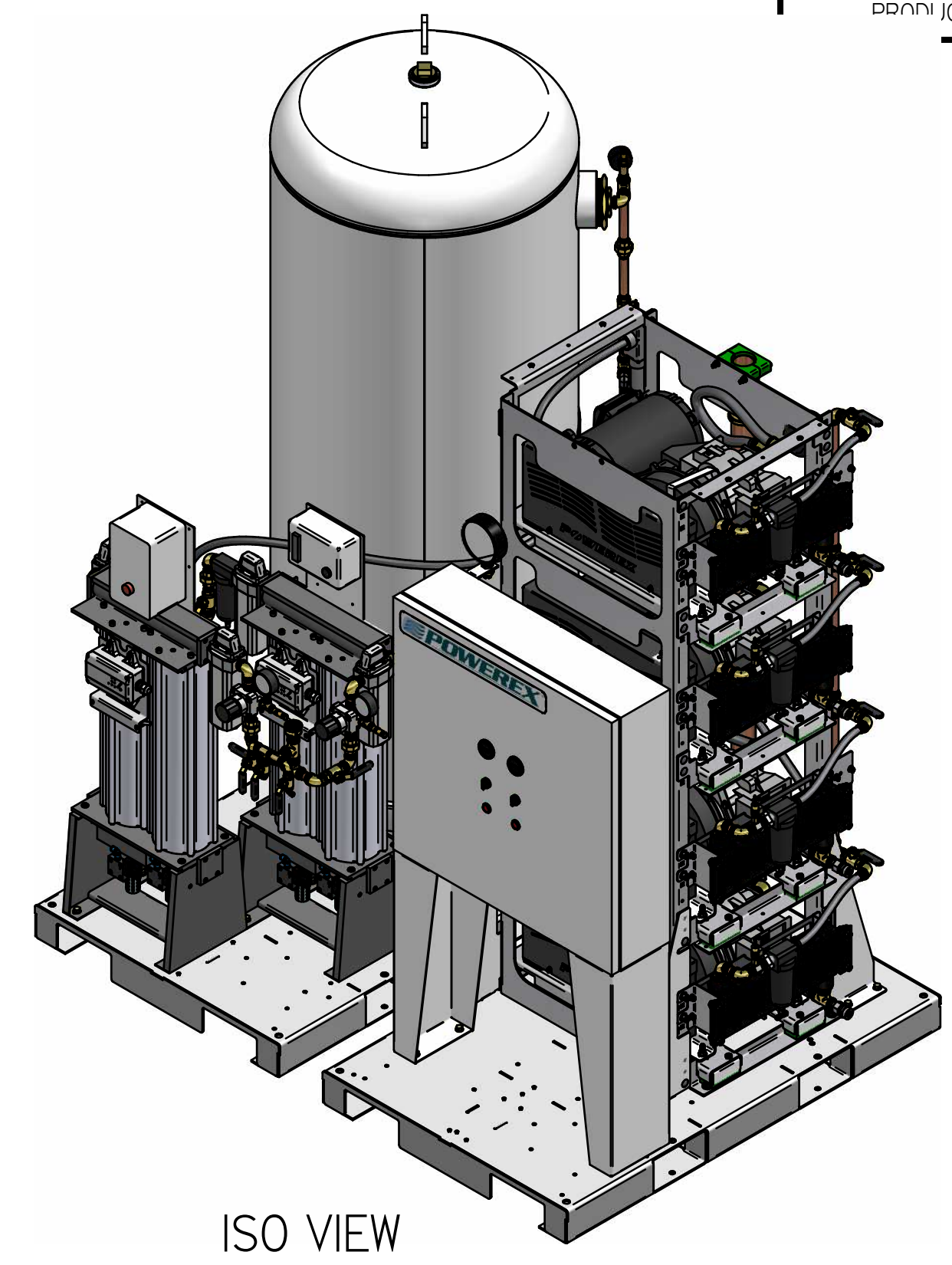
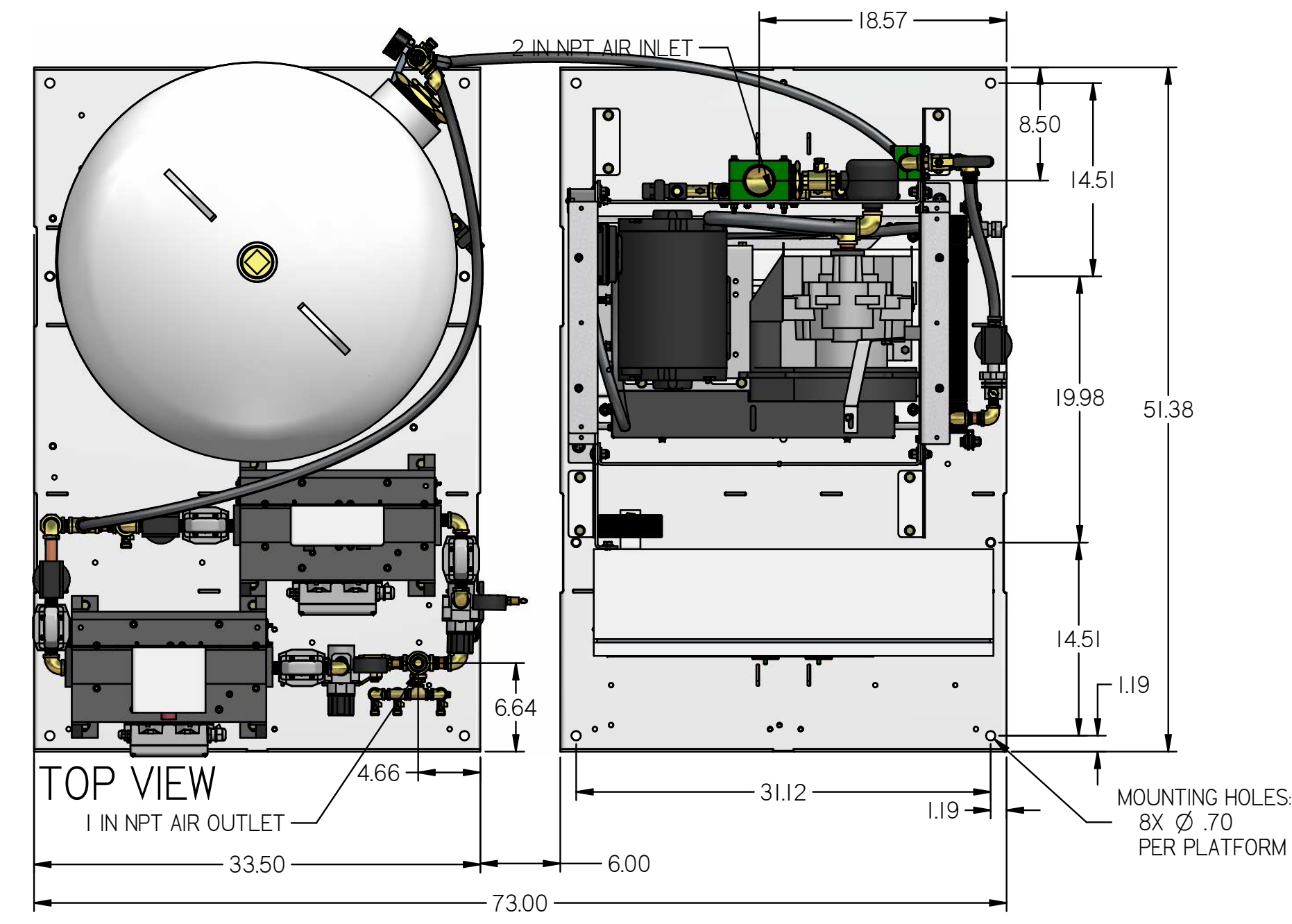
- NOTES:
1. APPROX SYSTEM WEIGHT: 2466 LB
2. 24" MINIMUM MAINTENANCE CLEARANCE RECOMMENDED ALL SIDES. CLEARANCE FOR CONTROL PANEL SHALL BE IN ACCORDANCE WITH OSHA/NEC REQUIREMENTS

SYMBOL LEGEND		DRAWINGS TO CONFORM TO CURRENT REVISION OF THE FOLLOWING ANSI STANDARDS:		
TOLERANCES NOT SPECIFIED	SOLID EDGE DRAWING	Y14.3 MULTI AND SECTIONAL VIEW DIMS	Y14.5 DIMENSIONING AND TOLERANCING	
0.XXX ± .01	INCH	DO NOT SCALE DRAWING FOR DIMENSIONS		
0.XXX ± .005		SHEET 1 OF 5	SCALE 1:10	
CONFIDENTIAL DISCLOSURE: This drawing is the property of POWEREX of the SCOTT FETTER COMPANY and is subject to return on demand. Its contents are confidential and must not be copied or submitted to outside parties for use or examination.		AUTHOR	ORIGINATION DATE	APPROVALS ON FILE IN PLM
716202		ASoulek	10/11/2018	
MATERIAL: SEE PART NOTES				
DESCRIPTION: MEDICAL OPEN SCROLL SYSTEM 10 HP DUPLEX 240 TANK				
DRAWING NUMBER: MSD10A6		REVISION: A	SIZE: D	

REVISION NOTES		
DESCRIPTION	ECN	PR/NOR
PRODUCTION RELEASE	PXECO169	N/A

MSD10A6

MEDICAL OPEN SCROLL
SYSTEM 10 HP DUPLEX 240
TANK
BASIC PANEL



NOTES
1. APPROX SYSTEM WEIGHT: 2466 LB
2. 24" MINIMUM MAINTENANCE CLEARANCE RECOMMENDED ALL SIDES. CLEARANCE FOR CONTROL PANEL SHALL BE IN ACCORDANCE WITH OSHA/NEC REQUIREMENTS

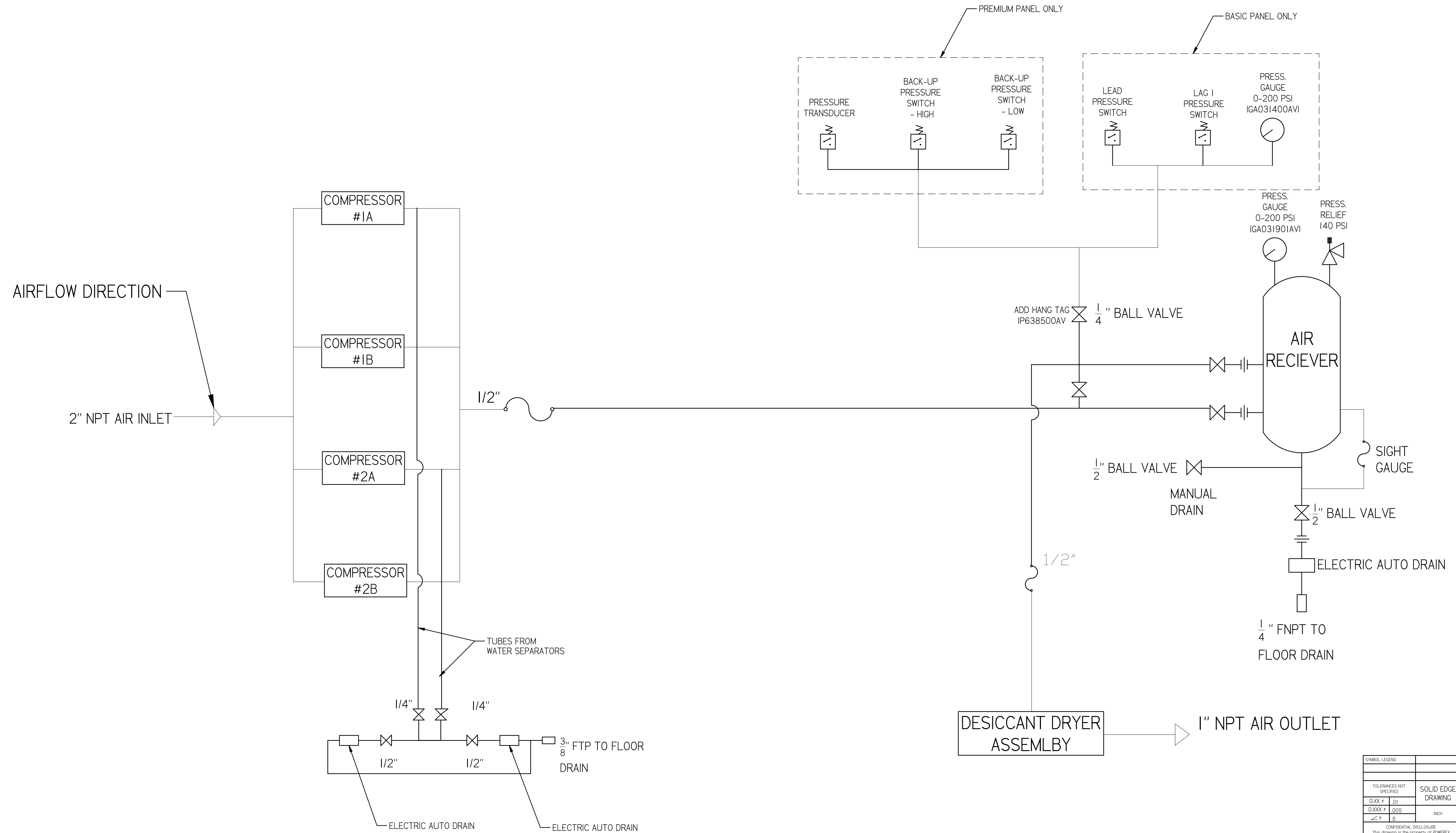
SYMBOL LEGEND		DRAWINGS TO CONFORM TO CURRENT REVISION OF THE FOLLOWING ANSI STANDARDS:	
TOLERANCES NOT SPECIFIED	SOLID EDGE DRAWING	Y14.3 MULTI AND SECTIONAL VIEW DIMS	Y14.5 DIMENSIONING AND TOLERANCING
0.XXX ± .01	DO NOT SCALE DRAWING FOR DIMENSIONS	SHEET 2 OF 5	SCALE 1:10
0.XXX ± .005			
∠ ± .5	INCH	APPROVALS ON FILE IN PLM	
<small>CONFIDENTIAL DISCLOSURE</small> This drawing is the property of POWEREX of the SCOTT FETTER COMPANY and is subject to return on demand. Its contents are confidential and must not be copied or submitted to outside parties for use or examination.		AUTHOR	ORIGINATION DATE
DRAWING NUMBER: MSD10A6 DESCRIPTION: MEDICAL OPEN SCROLL SYSTEM 10 HP DUPLEX 240 TANK		ASoulek	10/11/2018
DRAWING NUMBER: MSD10A6 DESCRIPTION: MEDICAL OPEN SCROLL SYSTEM 10 HP DUPLEX 240 TANK		REVISION	SIZE
		A	D



MSD10A6

MEDICAL OPEN SCROLL
SYSTEM 10 HP DUPLEX 240
TANK
SYSTEM
FLOW DIAGRAM

REVISION NOTES		
DESCRIPTION	ECN	PR/NOR
PRODUCTION RELEASE	PXECO169	N/A

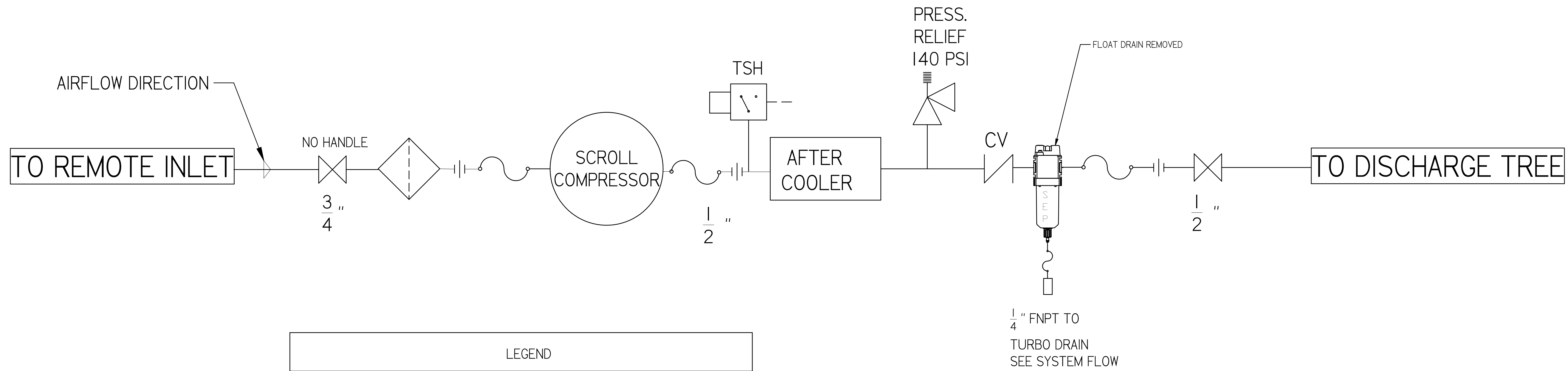


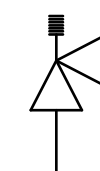
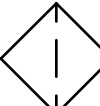
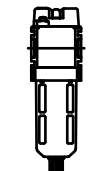

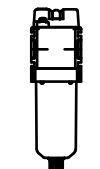

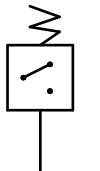
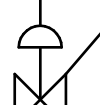
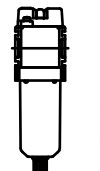


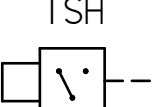
SYMBOL LEGEND		DRAWINGS TO CONFORM TO CURRENT REVISION OF THE FOLLOWING ANSI STANDARDS:	
TOLERANCES NOT SPECIFIED		Y14.3 MULTI-VIEW AND SECTIONAL VIEW DIMS	
0.005 ± 0.005		Y14.5 DIMENSIONING AND TOLERANCING	
0.005 ± 0.005		INCH	
± 0.005		SHEET 3 OF 5	
SOLID EDGE DRAWING		SCALE 1:1	
DO NOT SCALE DRAWING FOR DIMENSIONS		APPROVALS ON FILE IN PLM	
<small>CONFIDENTIAL DISCLOSURE</small> <small>This drawing is the property of POWEREX or the SCOTT FETTER COMPANY and is subject to return on demand. Its contents are confidential and must not be copied or submitted to outside parties for use or examination.</small>		<small>AUTHOR</small> ASoulek	
<small>ORIGINATION DATE</small> 10/11/2018		<small>APPROVALS ON FILE IN PLM</small>	
<small>ITEM #</small> 716202			
<small>MATERIAL</small> SEE PART NOTES		<small>150 PRODUCTION DRIVE, HARRISON OH 45030</small> <small>(888) 768-7079</small>	
<small>DESCRIPTION</small> MEDICAL OPEN SCROLL SYSTEM 10 HP DUPLEX 240 TANK		<small>DRAWING NUMBER</small> MSD10A6	
		<small>REVISION</small> A	
		<small>SIZE</small> D	

REVISION NOTES		
DESCRIPTION	ECN	PR/NOR
PRODUCTION RELEASE	PXECO169	N/A

MSD10A6

MEDICAL OPEN SCROLL
SYSTEM 10 HP DUPLEX 240
TANK
MEDICAL COMPRESSOR
FLOW DIAGRAM



LEGEND	
	RELIEF VALVE
	INTAKE FILTER
	AIR FILTER
	3 WAY VALVE
	CARBON FILTER
	BALL VALVE
	PRESSURE SWITCH
	REGULATOR
	SEPARATOR
	CHECK VALVE
	FLEX LINE
	TSH HIGH TEMP SWITCH

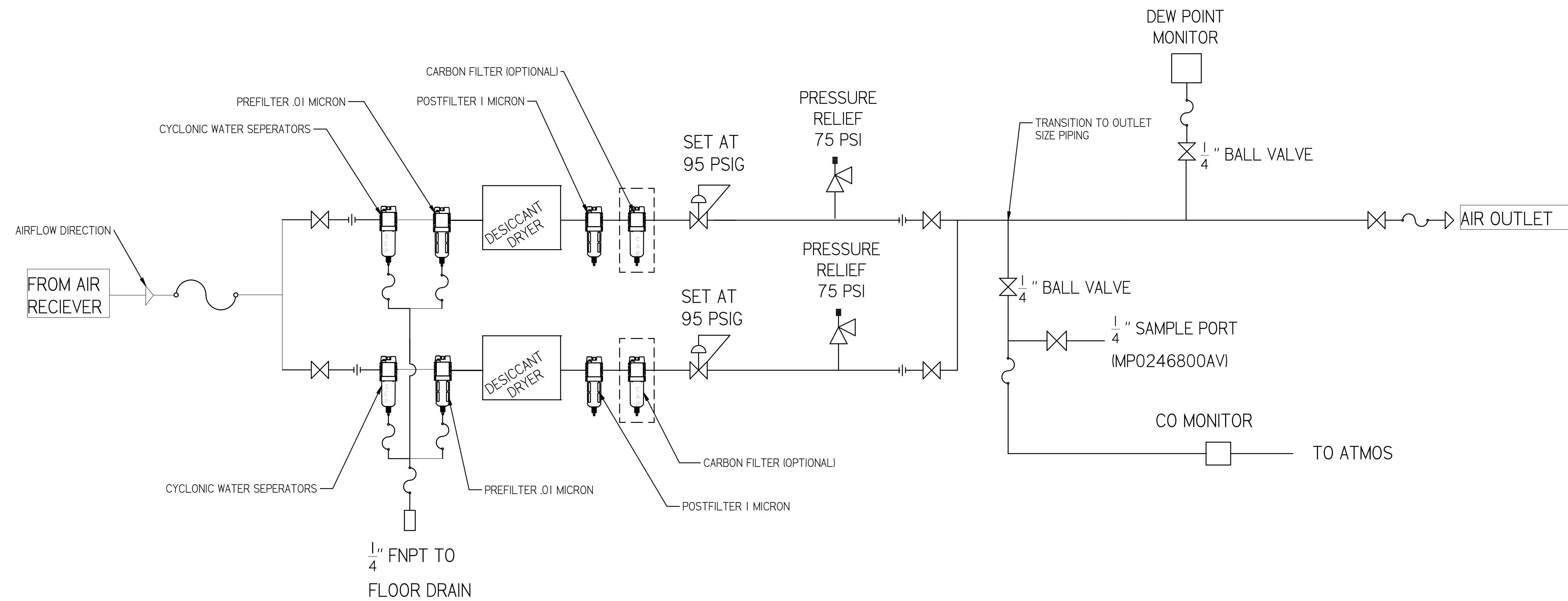
SYMBOL LEGEND		DRAWINGS TO CONFORM TO CURRENT REVISION OF THE FOLLOWING ANSI STANDARDS:	
		Y14.3 MULTI AND SECTIONAL VIEW DWGS Y14.5 DIMENSIONING AND TOLERANCING	
TOLERANCES NOT SPECIFIED	SOLID EDGE DRAWING	DO NOT SCALE DRAWING FOR DIMENSIONS	
0.001 ± .001		SHEET 4 OF 5	SCALE 1:1
0.005 ± .005	INCH		
<small>CONFIDENTIAL DISCLOSURE</small> This drawing is the property of POWEREX of the SCOTT FETTER COMPANY and is subject to return on demand. Its contents are confidential and must not be copied or submitted to outside parties for use or examination.		AUTHOR	APPROVALS ON FILE IN PLM
DRAWER: 716202 MATERIAL: SEE PART NOTES		ASoulek	10/11/2018
DESCRIPTION: MEDICAL OPEN SCROLL SYSTEM 10 HP DUPLEX 240 TANK		DRAWING NUMBER: MSD10A6	REVISION: A SIZE: D



REVISION NOTES		
DESCRIPTION	ECN	PR/NOR
PRODUCTION RELEASE	PXECO169	N/A

MSD10A6

MEDICAL OPEN SCROLL
SYSTEM 10 HP DUPLEX 240
TANK
MEDICAL DRYER
FLOW DIAGRAM



PIPE SIZE CHART		
PUMP COUNT	DRYER PLUMBING SIZE	OUTLET PIPE SIZE
2	1/2"	1/2"
3	1/2"	1"
4	1/2"	1"
6	1"	1-1/2"
8	1"	1-1/2"
9	1"	1-1/2"
12	1-1/2"	2"
15	1-1/2"	2"
18	1-1/2"	2"

SYMBOL LEGEND		DRAWINGS TO CONFORM TO CURRENT REVISION OF THE FOLLOWING ANSI STANDARDS: #14.3 MULTI AND SECTIONAL VIEW DIMS #14.5 DIMENSIONING AND TOLERANCING	
TOLERANCES NOT SPECIFIED	SOLID EDGE DRAWING	DO NOT SCALE DRAWING FOR DIMENSIONS	
0.001 ± .001		SHEET 5 OF 5	SCALE 1:1
0.005 ± .005	INCH	APPROVALS ON FILE IN PLM	
0.010 ± .010	INCH	A Soulek	10/11/2018
<small>CONFIDENTIAL DISCLOSURE</small> This drawing is the property of POWEREX or the SCOTT FETTER COMPANY and is subject to return on demand. Its contents are confidential and must not be copied or submitted to outside parties for use or examination.			
ITEM NO: 716202 MATERIAL: SEE PART NOTES		DRAWING NUMBER: MSD10A6 REVISION: A SIZE: D	

POWEREX