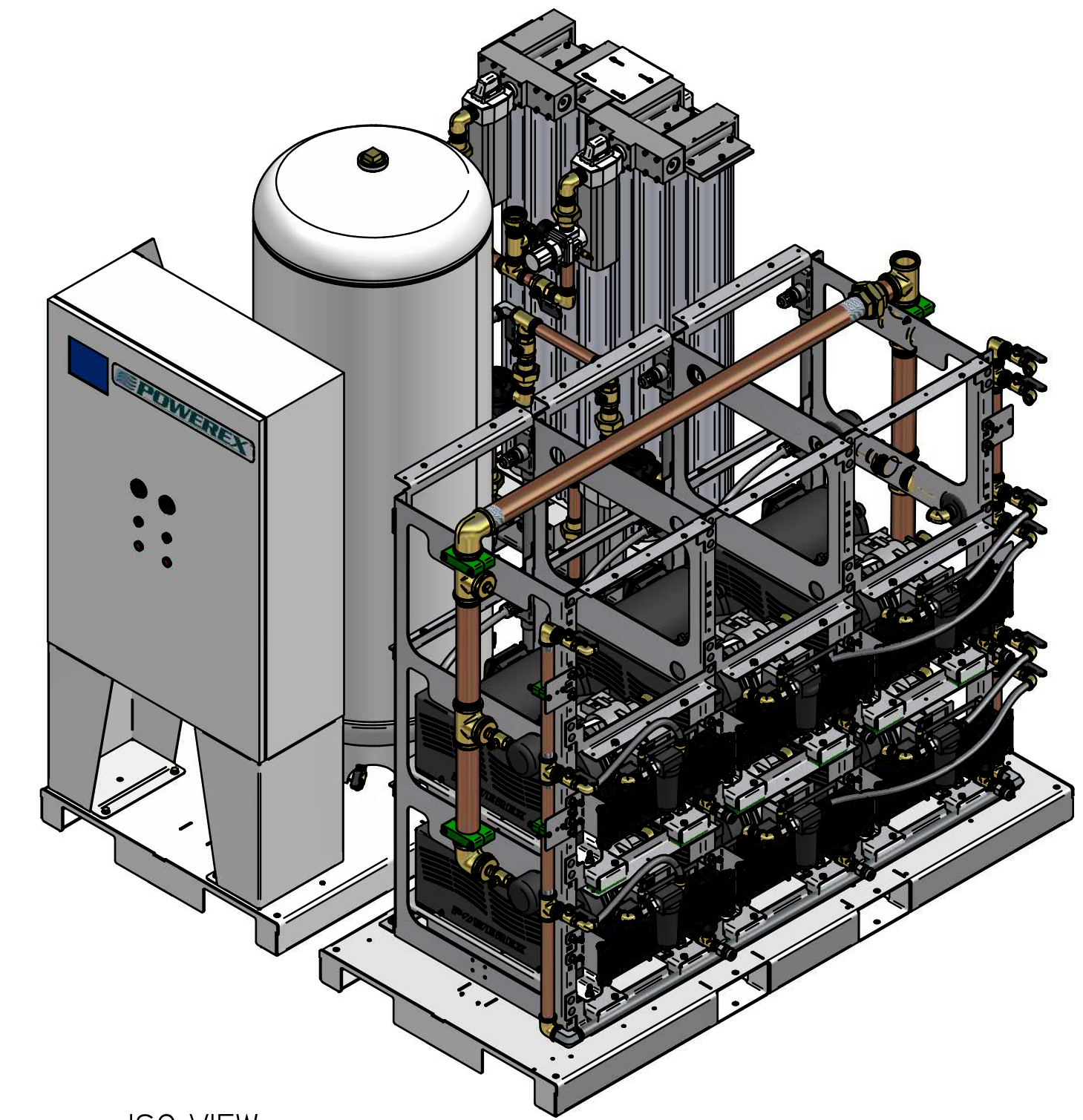
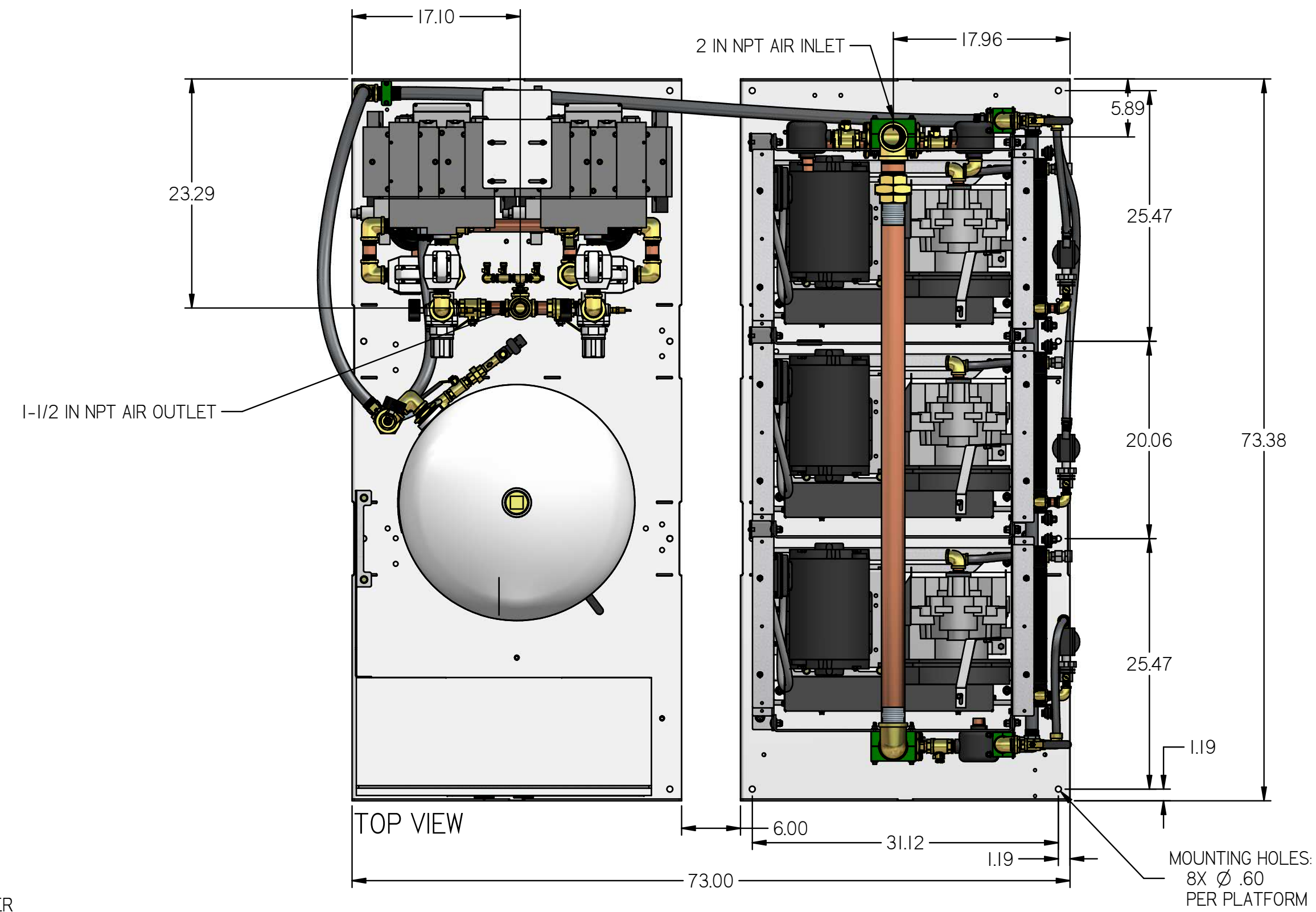


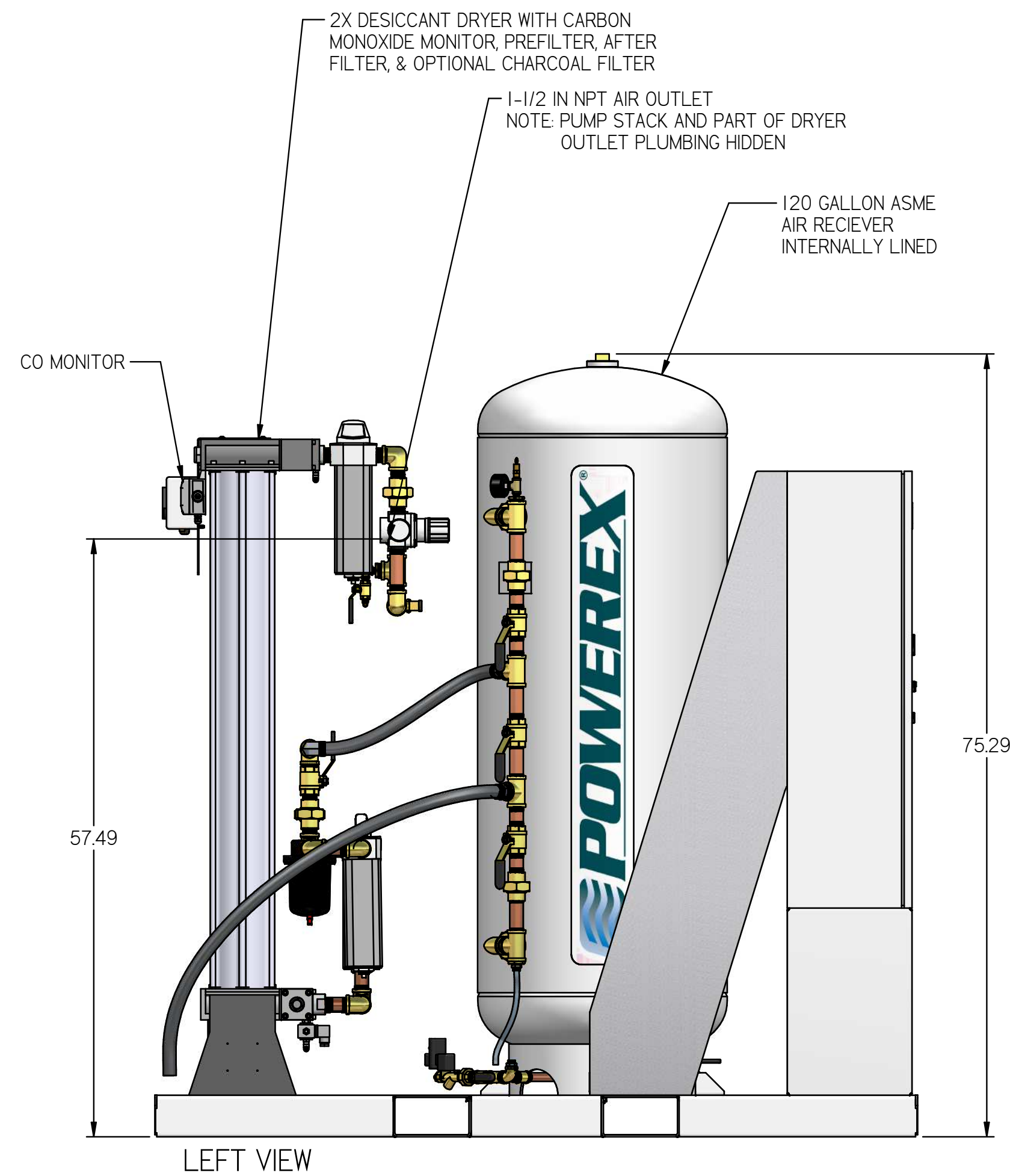
REVISION NOTES		
DESCRIPTION	ECN	PR/NOR
PRODUCTION RELEASE	PXEC0169	N/A

MSDI5A4-EX3

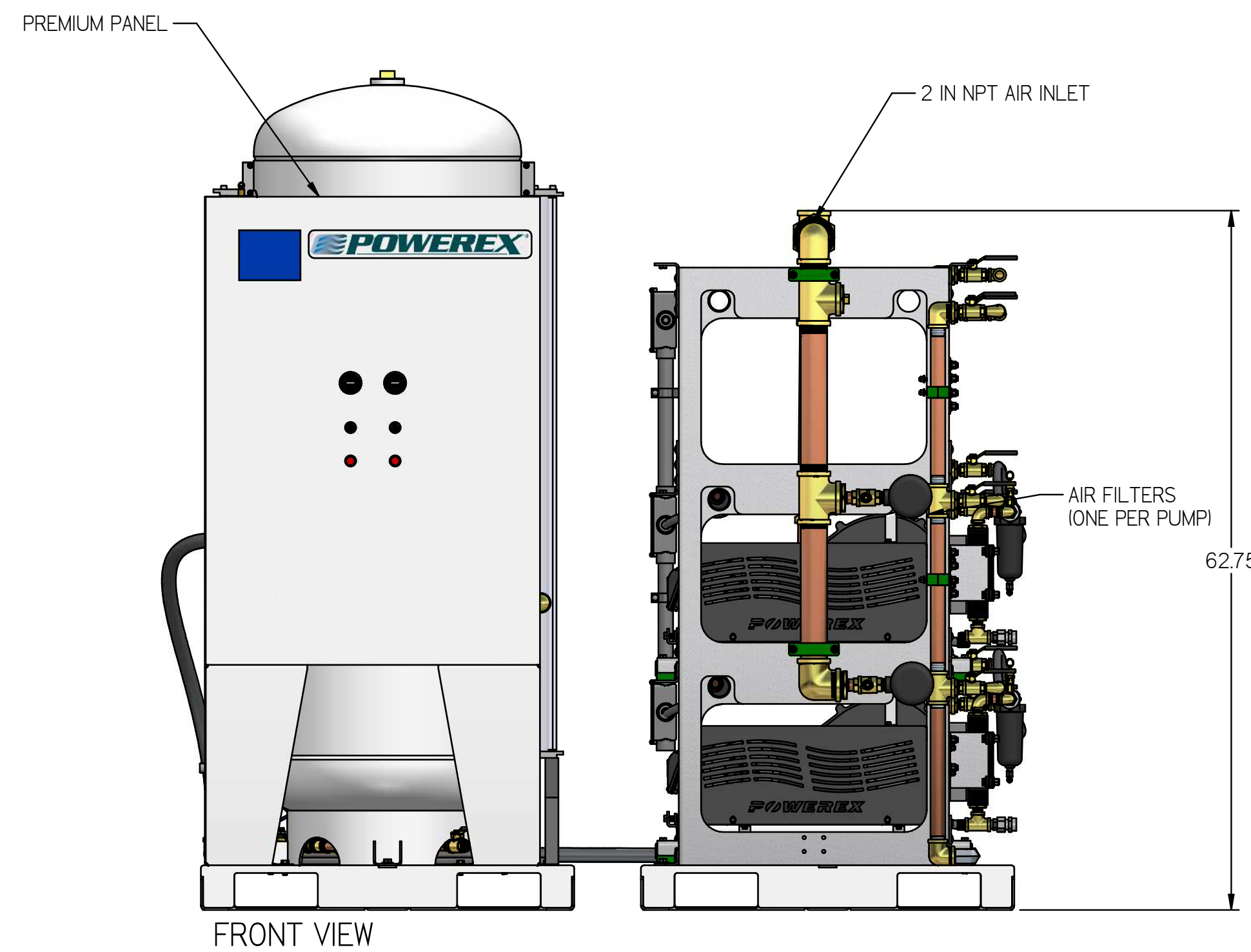
MED OPEN SCROLL 15HP
 DUPLEX EXPADABLE TO TRI
 WITH 120 GALLON TANK
 PREMIUM PANEL



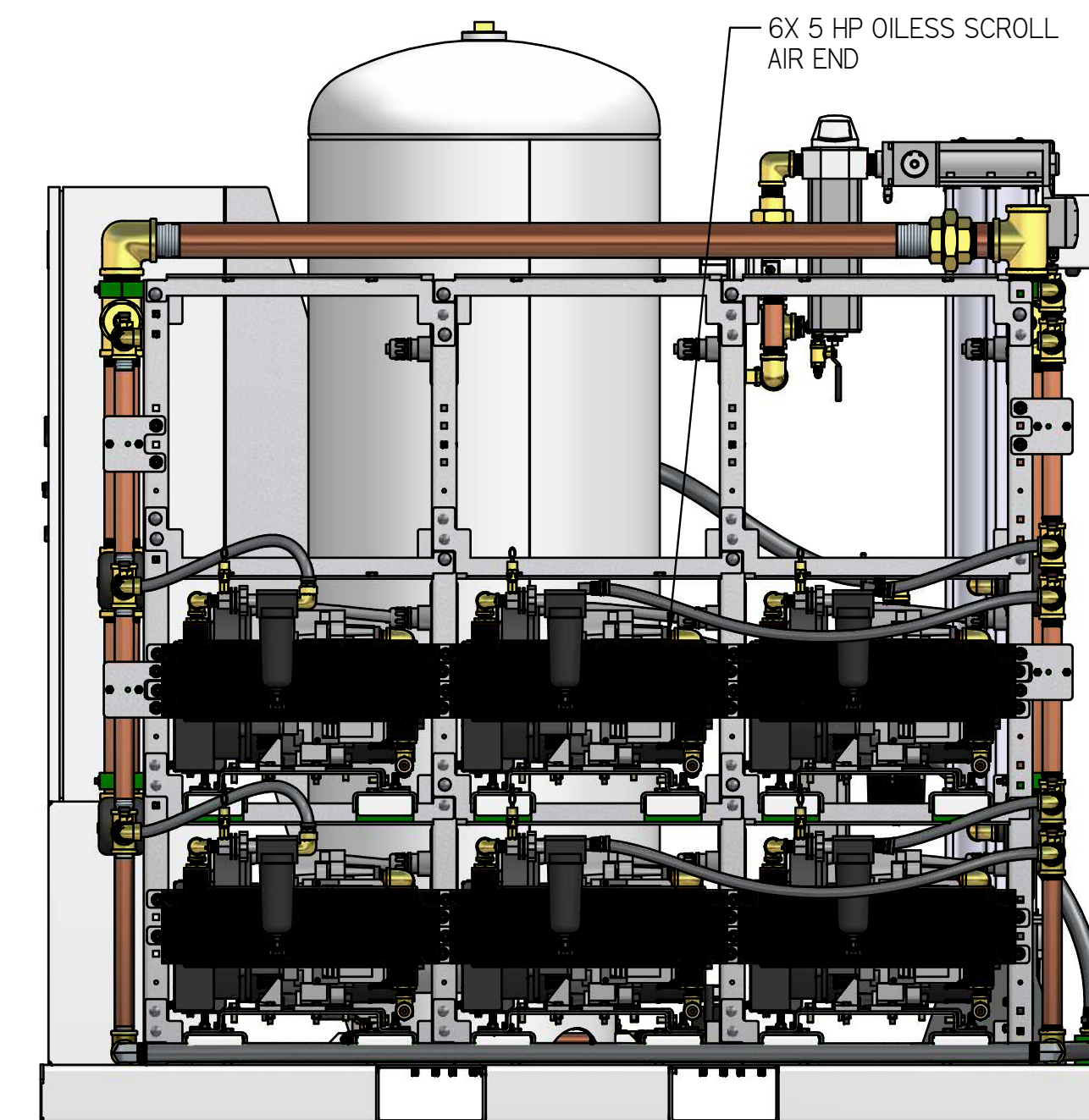
ISO VIEW



LEFT VIEW



FRONT VIEW



RIGHT VIEW

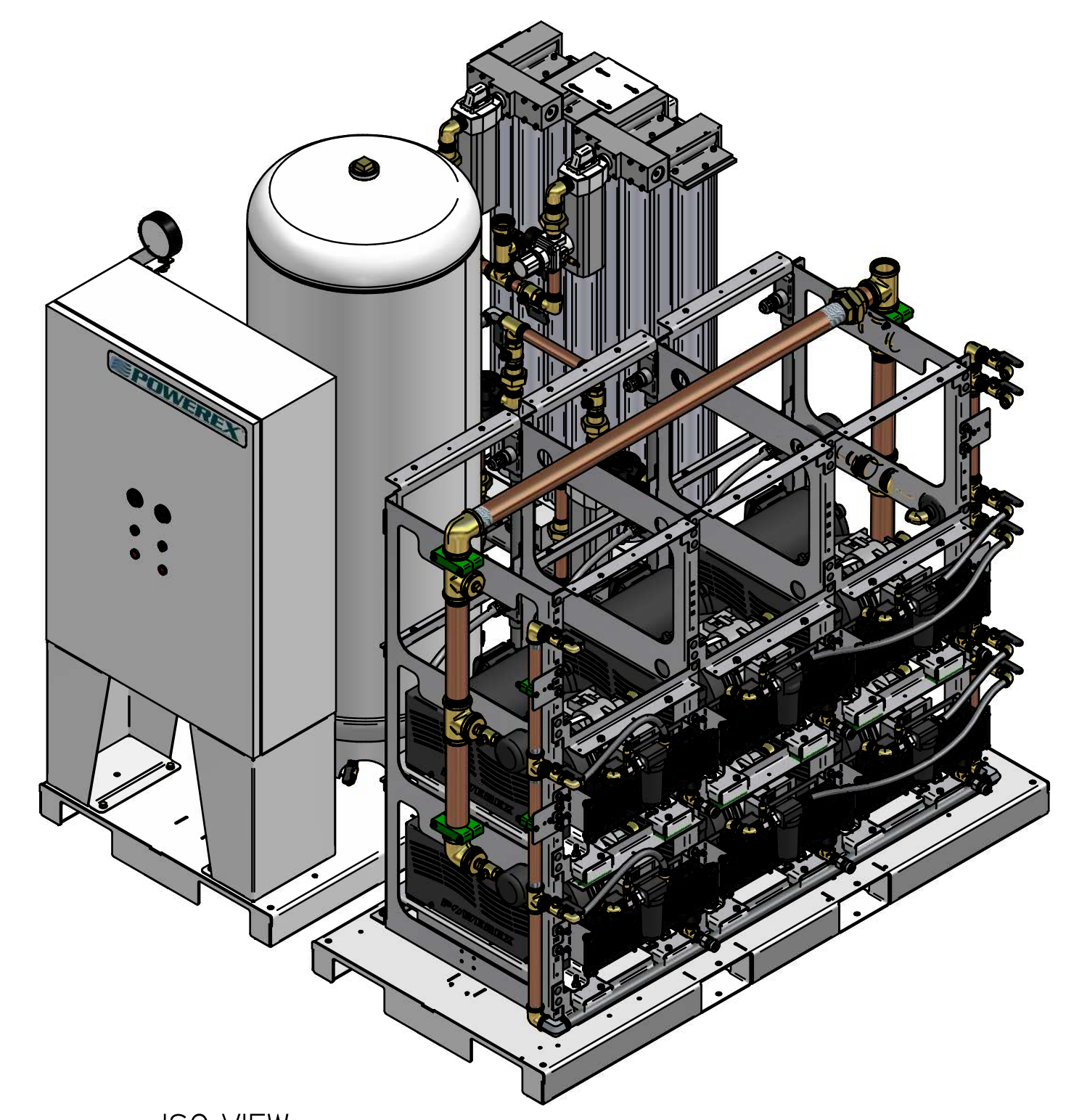
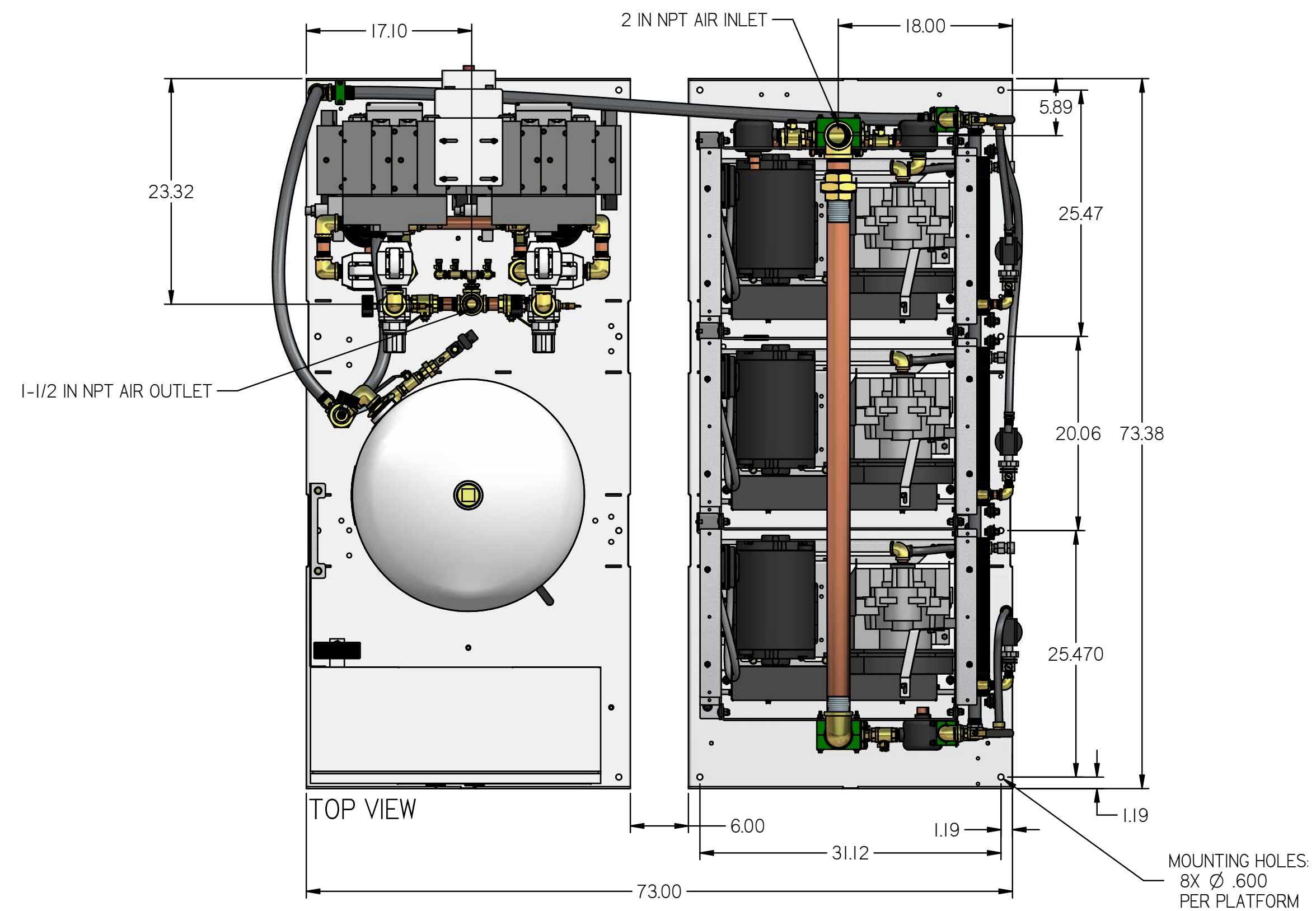
- NOTES:
 1. APPROX SYSTEM WEIGHT: 3927 LB
 2. 24" MINIMUM MAINTENANCE CLEARANCE RECOMMENDED
 ALL SIDES. CLEARANCE FOR CONTROL PANEL SHALL BE IN ACCORDANCE WITH OSHA/NEC REQUIREMENTS

SYMBOL LEGEND		DRAWINGS TO CONFORM TO CURRENT REVISION OF THE FOLLOWING ANSI STANDARDS:		
TOLERANCES NOT SPECIFIED	SOLID EDGE DRAWING	DO NOT SCALE DRAWING FOR DIMENSIONS		
0.XXX ± .01	INCH	SHEET 1 OF 5	SCALE	1:1.11
0.XXX ± .005				
CONFIDENTIAL DISCLOSURE: This drawing is the property of POWEREX of the SCOTT FETTER COMPANY and is subject to return on demand. Its contents are confidential and must not be copied or submitted to outside parties for use or examination.		AUTHOR	ORIGINATION DATE	APPROVALS ON FILE IN PLM
MATERIAL: SEE PART NOTES		ASoulek	11/5/2018	
DRAWING NUMBER: MSDI5A4-EX3				
DESCRIPTION: MED OPEN SCROLL 15HP DUPLEX EXPADABLE TO TRI WITH 120 GALLON TANK	DRAWING NUMBER: MSDI5A4-EX3	REVISION: B	SIZE: D	

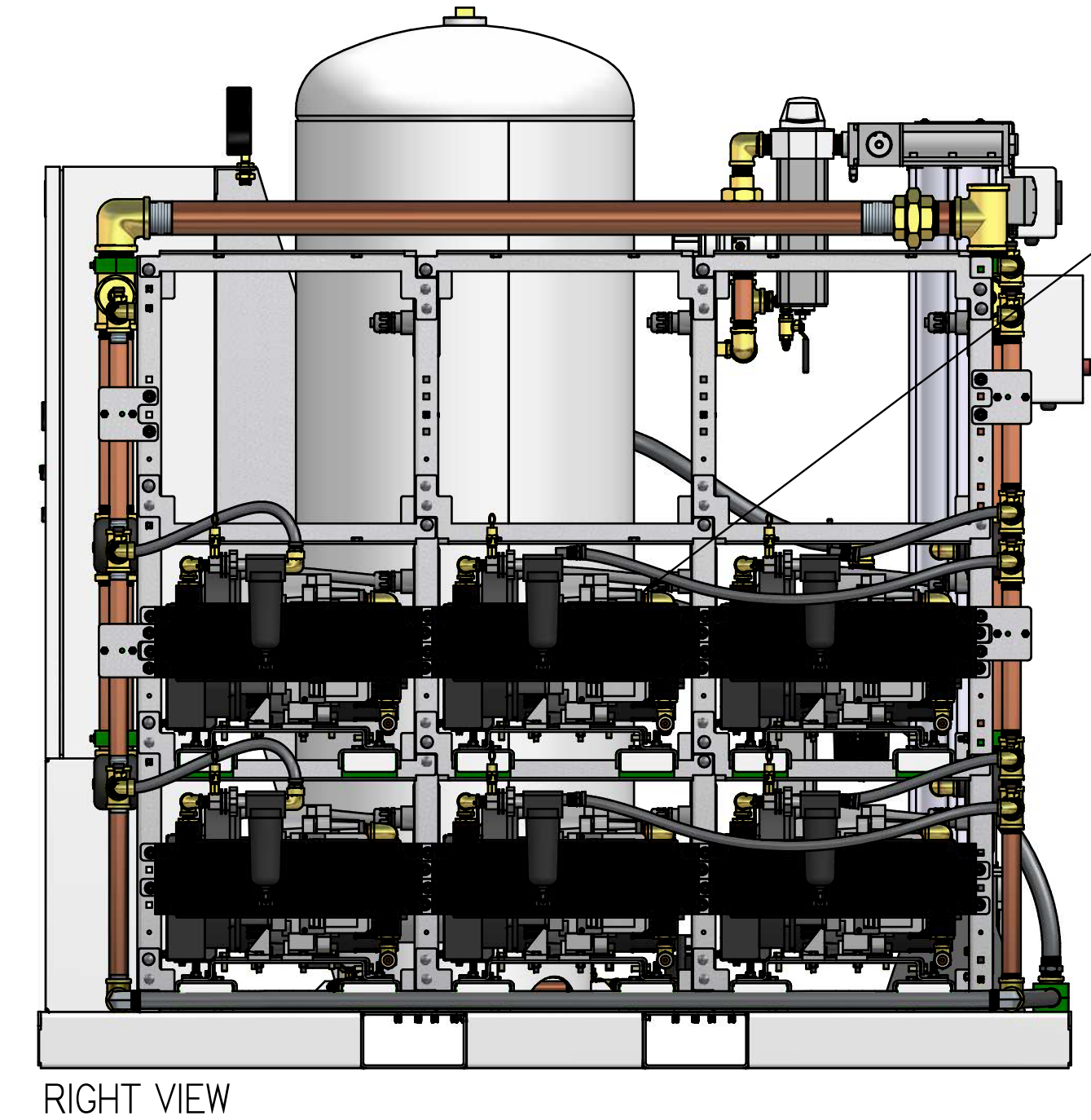
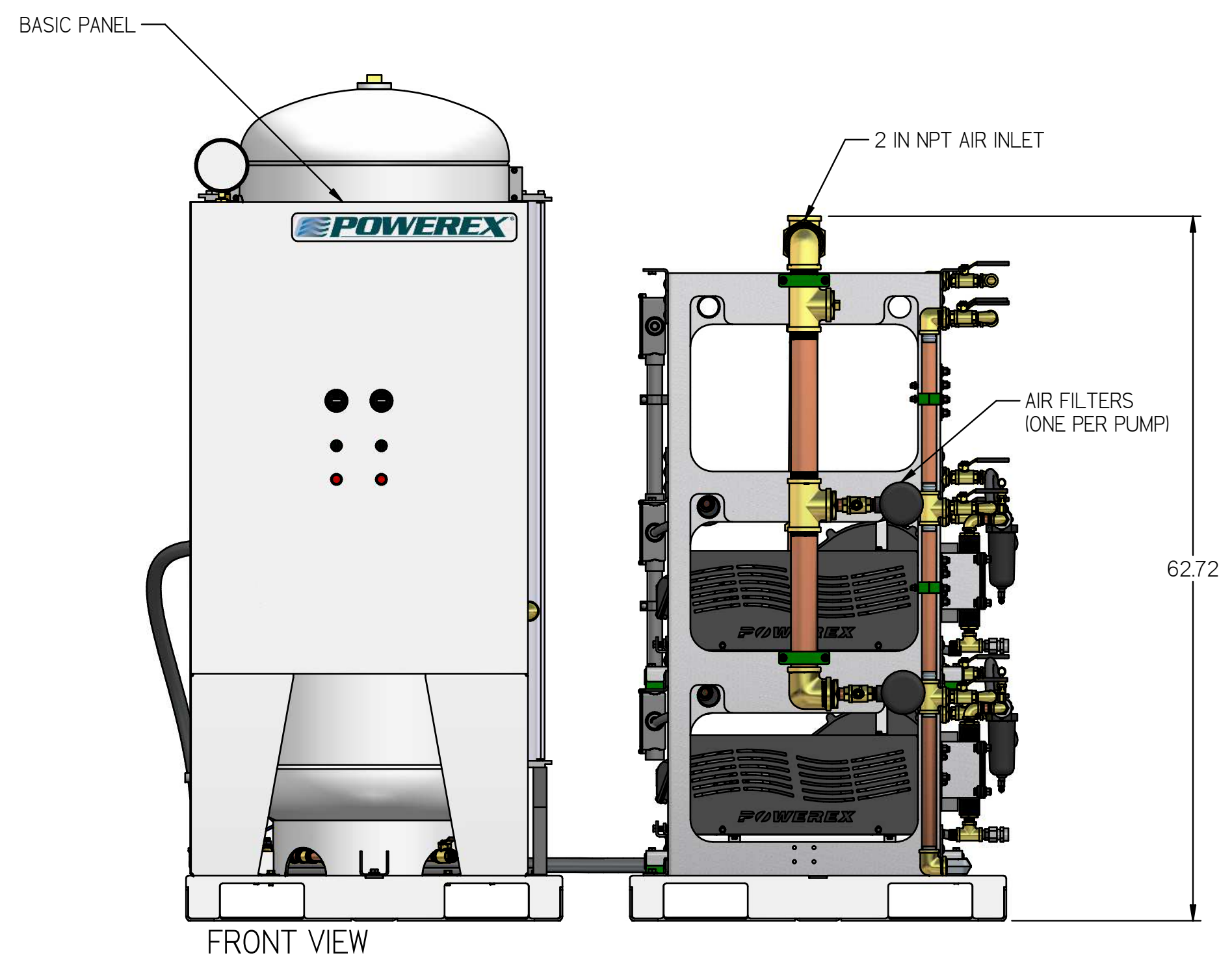
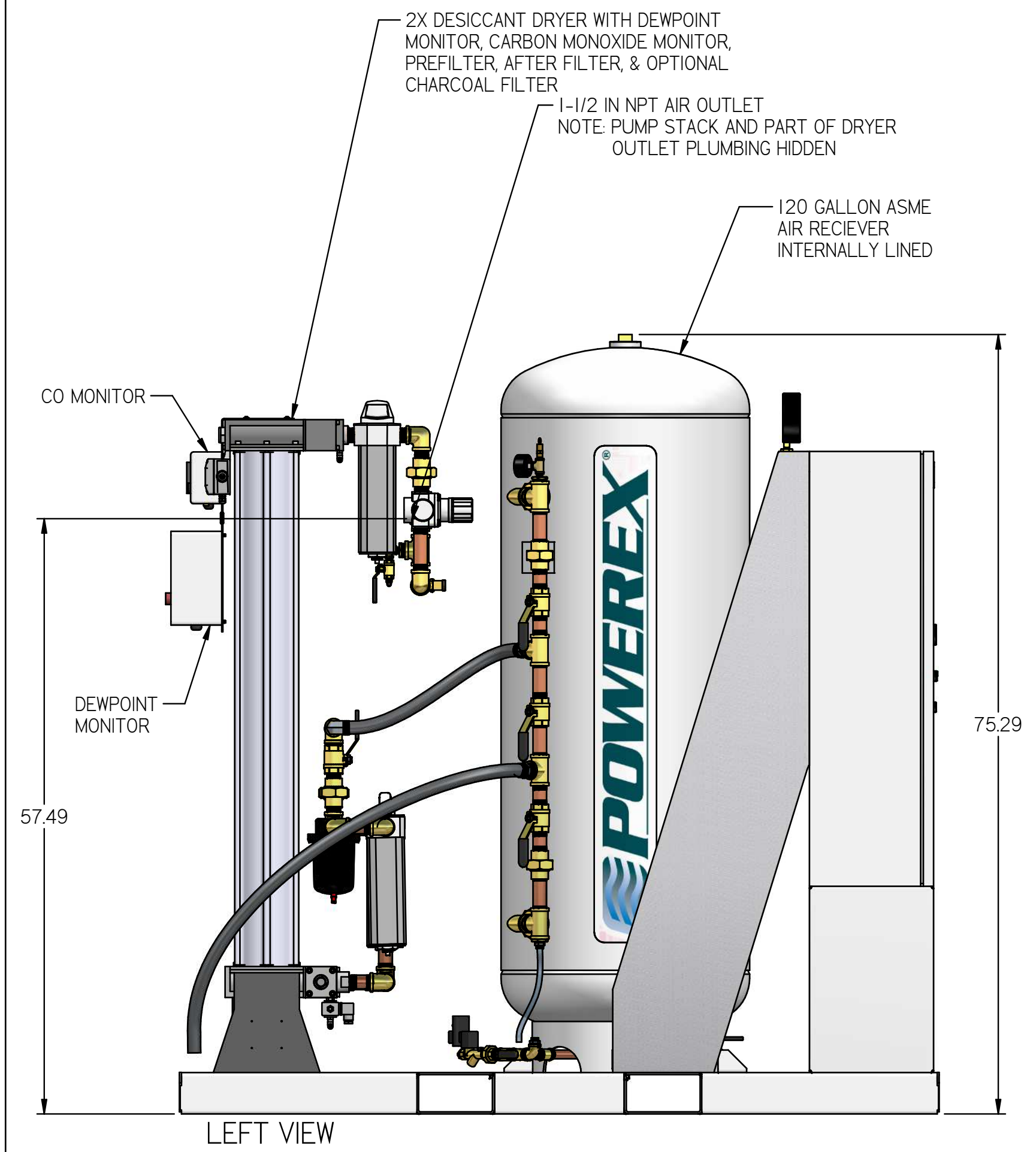
MSDI5A4-EX3

MED OPEN SCROLL 15HP
 DUPLEX EXPADABLE TO TRI
 WITH 120 GALLON TANK
 BASIC PANEL

REVISION NOTES		
DESCRIPTION	ECN	PR/NOR
PRODUCTION RELEASE	PXEC0169	N/A



ISO VIEW



- NOTES:
- APPROX SYSTEM WEIGHT: 3927 LB
 - 24" MINIMUM MAINTENANCE CLEARANCE RECOMMENDED ALL SIDES. CLEARANCE FOR CONTROL PANEL SHALL BE IN ACCORDANCE WITH OSHA/NEC REQUIREMENTS

SYMBOL LEGEND		DRAWINGS TO CONFORM TO CURRENT REVISION OF THE FOLLOWING ANSI STANDARDS:		
TOLERANCES NOT SPECIFIED	SOLID EDGE DRAWING	DO NOT SCALE DRAWING FOR DIMENSIONS		
0.XXX ± .01	IND	SHEET 2 OF 5	SCALE	1:1
0.XXX ± .005				
<small>CONFIDENTIAL DISCLOSURE</small> This drawing is the property of POWEREX of the SCOTT FETTER COMPANY and is subject to return on demand. Its contents are confidential and must not be copied or submitted to outside parties for use or examination.		AUTHOR	ORIGINATION DATE	APPROVALS ON FILE IN PLM
TITLE: 716579 MATERIAL: SEE PART NOTES		ASoulek	11/5/2018	
DESCRIPTION: MED OPEN SCROLL, 15HP DUPLEX EXPADABLE TO TRI WITH 120 GALLON TANK		DRAWING NUMBER: MSDI5A4-EX3	REVISION: B	SIZE: D

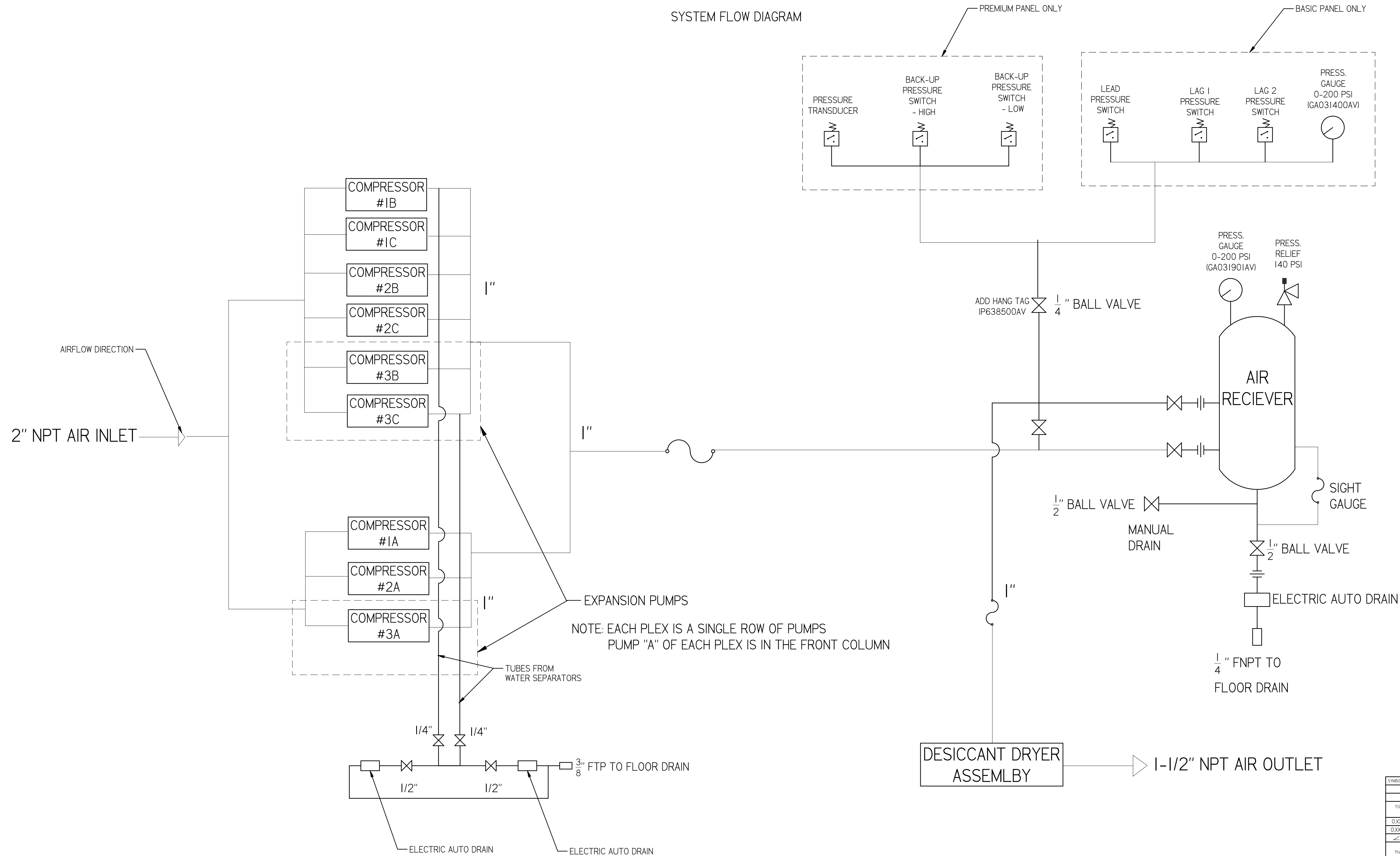


MSDI5A4-EX3

MED OPEN SCROLL 15HP
 DUPLEX EXPADABLE TO TRI
 WITH 120 GALLON TANK

SYSTEM FLOW DIAGRAM

REVISION NOTES		
DESCRIPTION	ECN	PR/NOR
PRODUCTION RELEASE	PXECO169	N/A



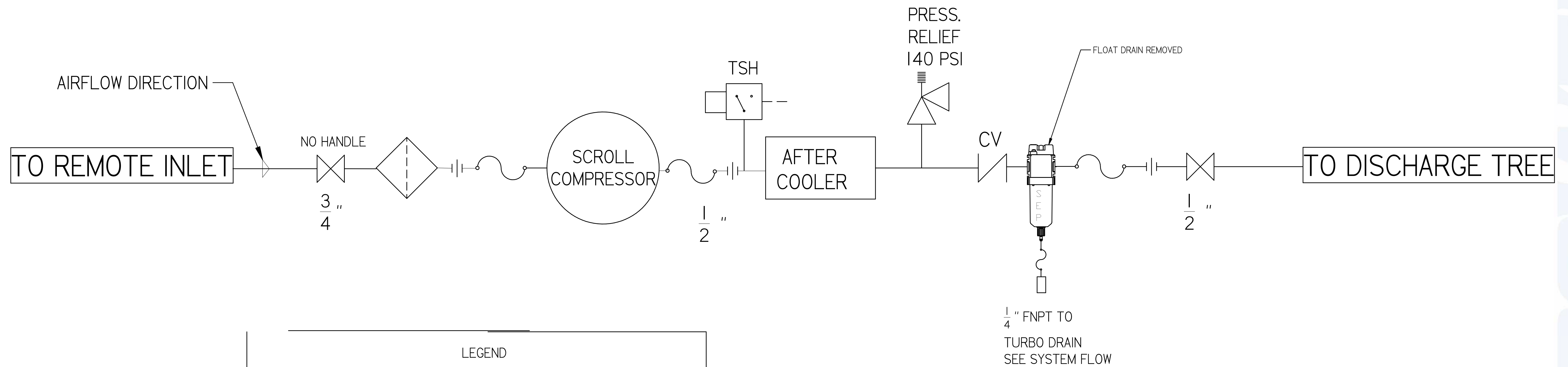
NOTE: EACH PLEX IS A SINGLE ROW OF PUMPS
 PUMP "A" OF EACH PLEX IS IN THE FRONT COLUMN

SYMBOL LEGEND		DRAWINGS TO CONFORM TO CURRENT REVISION OF THE FOLLOWING ANSI STANDARDS:	
TOLERANCES NOT SPECIFIED	SOLID EDGE DRAWING	Y14.3 MULTI AND SECTIONAL VIEW DIMS	
0.00X ± .01	INCH	Y14.5 DIMENSIONING AND TOLERANCING	
0.00X ± .005		SHEET 3 OF 5	SCALE 1:1
CONFIDENTIAL DISCLOSURE: This drawing is the property of POWEREX or the SCOTT FETTER COMPANY and is subject to return on demand. Its contents are confidential and must not be copied or submitted to outside parties for use or examination.		AUTHOR	APPROVALS ON FILE IN PLM
716579	ASoulek	ORIGINATION DATE	11/5/2018
SEE PART NOTES			
DESCRIPTION	DRAWING NUMBER	REVISION	SIZE
MED OPEN SCROLL 15HP DUPLEX EXPADABLE TO TRI WITH 120 GALLON TANK	MSDI5A4-EX3	B	D

REVISION NOTES		
DESCRIPTION	ECN	PR/NOR
PRODUCTION RELEASE	PXECO169	N/A

MSDI5A4-EX3

MED OPEN SCROLL 15HP
 DUPLEX EXPADABLE TO TRI
 WITH 120 GALLON TANK
 MEDICAL COMPRESSOR
 FLOW DIAGRAM



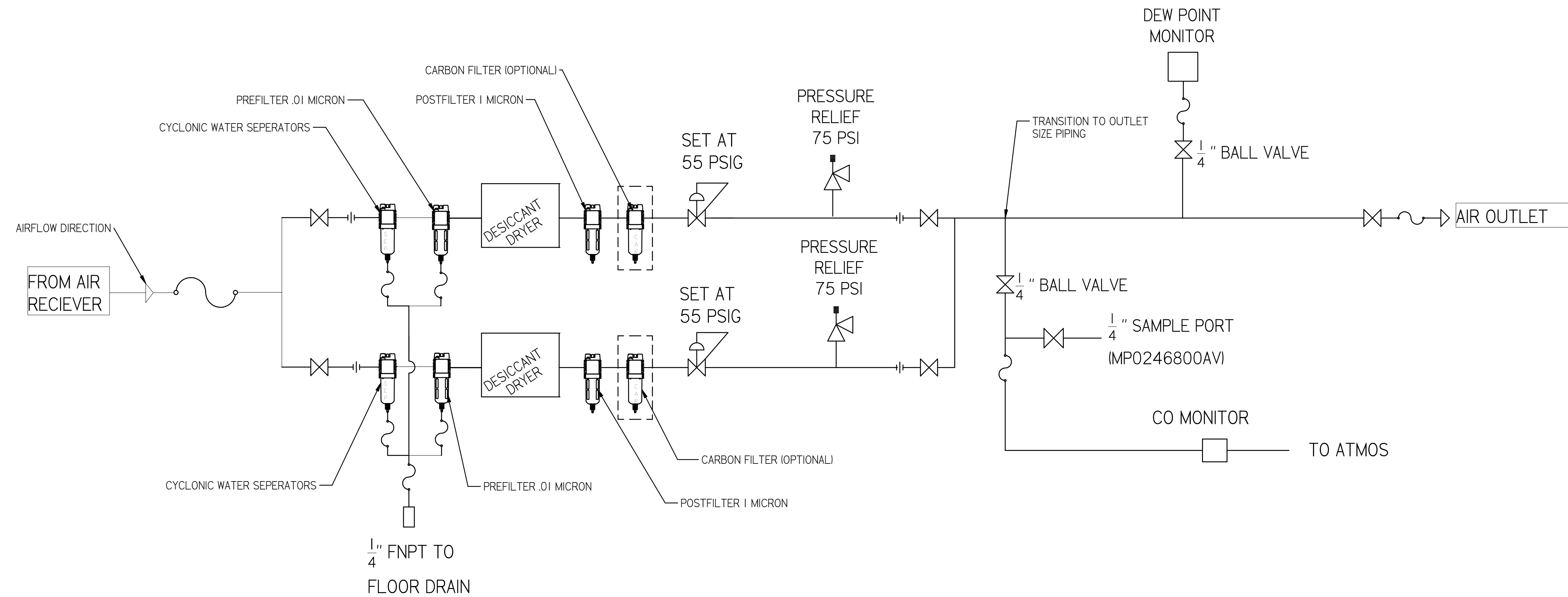
LEGEND	
	RELIEF VALVE
	INTAKE FILTER
	AIR FILTER
	3 WAY VALVE
	CARBON FILTER
	BALL VALVE
	PRESSURE SWITCH
	REGULATOR
	SEPARATOR
	CHECK VALVE
	FLEX LINE
	TSH HIGH TEMP SWITCH

SYMBOL LEGEND		DRAWINGS TO CONFORM TO CURRENT REVISION OF THE FOLLOWING ANSI STANDARDS:	
TOLERANCES NOT SPECIFIED:		Y14.3 MULTI AND SECTIONAL VIEW DIMS Y14.5 DIMENSIONING AND TOLERANCING	
0.001 ± .001	SOLID EDGE DRAWING	DO NOT SCALE DRAWING FOR DIMENSIONS	
0.005 ± .005		SHEET 4 OF 5	SCALE 1:1
CONFIDENTIAL DISCLOSURE This drawing is the property of POWEREX of the SCOTT FETTER COMPANY and is subject to return on demand. Its contents are confidential and must not be copied or submitted to outside parties for use or examination.		AUTHOR	APPROVALS ON FILE IN PLM
DRAWING NUMBER: 716579 MATERIAL: SEE PART NOTES		ORIGINATION DATE: 11/5/2018	
DESCRIPTION: MED OPEN SCROLL, 15HP DUPLEX EXPADABLE TO TRI WITH 120 GALLON TANK		 150 PRODUCTION DRIVE, HARRISON OH 45030 (888) 768-7079	DRAWING NUMBER: MSDI5A4-EX3 REVISION: B SIZE: D

REVISION NOTES		
DESCRIPTION	ECN	PR/NOR
PRODUCTION RELEASE	PXECO169	N/A

MSDI5A4-EX3

MED OPEN SCROLL 15HP
 DUPLEX EXPADABLE TO TRI
 WITH 120 GALLON TANK
 MEDICAL DRYER
 FLOW DIAGRAM



PUMP COUNT	DRYER PLUMBING SIZE	OUTLET PIPE SIZE
2	1/2"	1/2"
3	1/2"	1"
4	1/2"	1"
6	1"	1-1/2"
8	1"	1-1/2"
9	1"	1-1/2"
12	1-1/2"	2"
15	1-1/2"	2"
18	1-1/2"	2"

SYMBOL LEGEND		DRAWINGS TO CONFORM TO CURRENT REVISION OF THE FOLLOWING ANSI STANDARDS: Y14.3 MULTI AND SECTIONAL VIEW DIMS Y14.5 DIMENSIONING AND TOLERANCING	
TOLERANCES NOT SPECIFIED	SOLID EDGE DRAWING	DO NOT SCALE DRAWING FOR DIMENSIONS	
0.XXX ± .01	INCH	SHEET 5 OF 5	SCALE 1:1
0.XXX ± .005			
± .5			
<small>CONFIDENTIAL DISCLOSURE</small> This drawing is the property of POWEREX or the SCOTT FETTER COMPANY and is subject to return on demand. Its contents are confidential and must not be copied or submitted to outside parties for use or examination.		AUTHOR	ORIGINATION DATE
<small>CONFIDENTIAL DISCLOSURE</small> This drawing is the property of POWEREX or the SCOTT FETTER COMPANY and is subject to return on demand. Its contents are confidential and must not be copied or submitted to outside parties for use or examination.		ASoulek	11/5/2018
<small>CONFIDENTIAL DISCLOSURE</small> This drawing is the property of POWEREX or the SCOTT FETTER COMPANY and is subject to return on demand. Its contents are confidential and must not be copied or submitted to outside parties for use or examination.			
<small>CONFIDENTIAL DISCLOSURE</small> This drawing is the property of POWEREX or the SCOTT FETTER COMPANY and is subject to return on demand. Its contents are confidential and must not be copied or submitted to outside parties for use or examination.		150 PRODUCTION DRIVE, HARRISON OH 45030 (888) 768-7079	
ITEM NO:	716579	DRAWING NUMBER:	MSDI5A4-EX3
MATERIAL:	SEE PART NOTES	REVISION:	B
DESCRIPTION:	MED OPEN SCROLL, 15HP DUPLEX EXPADABLE TO TRI WITH 120 GALLON TANK	SIZE:	D

