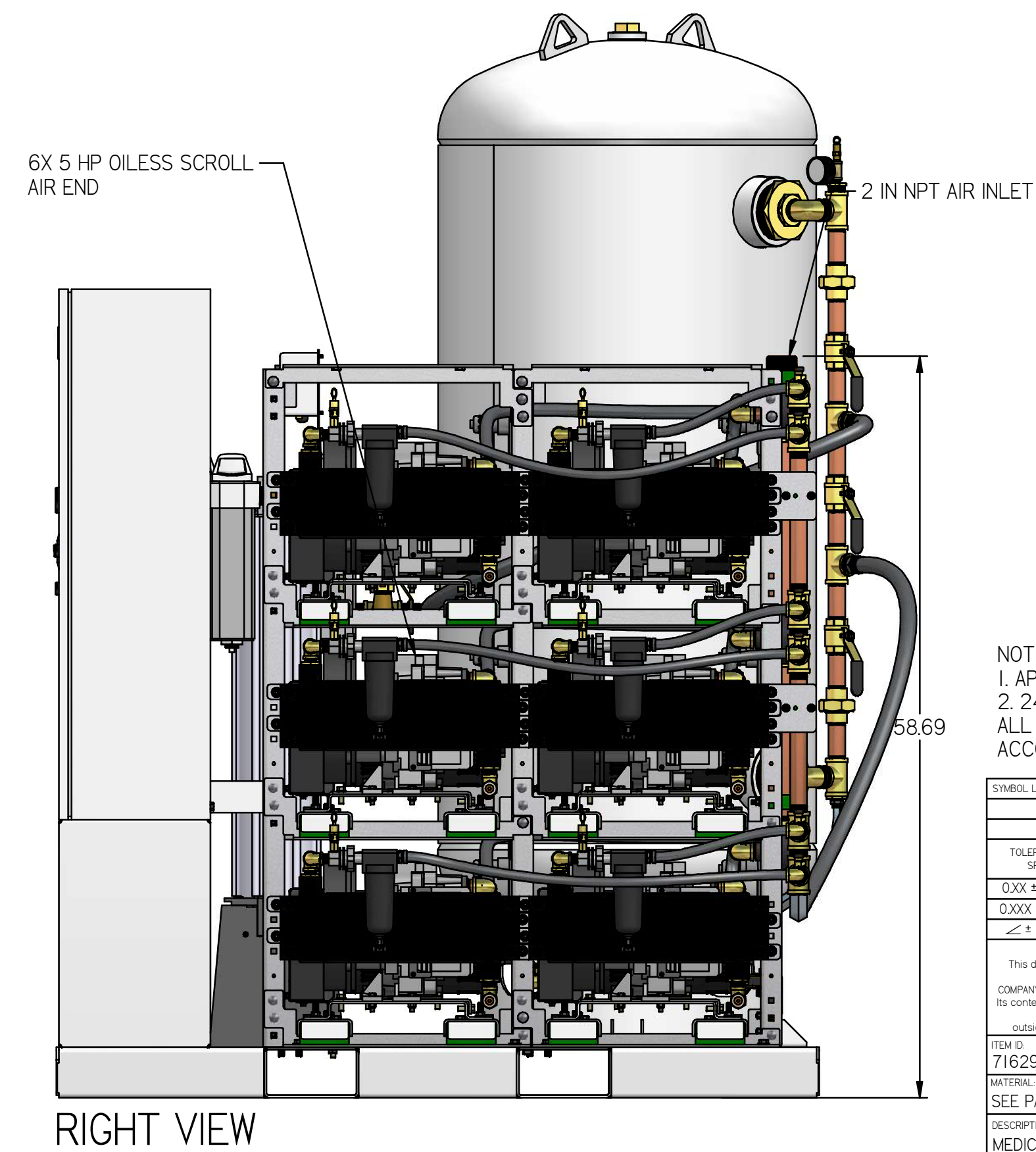
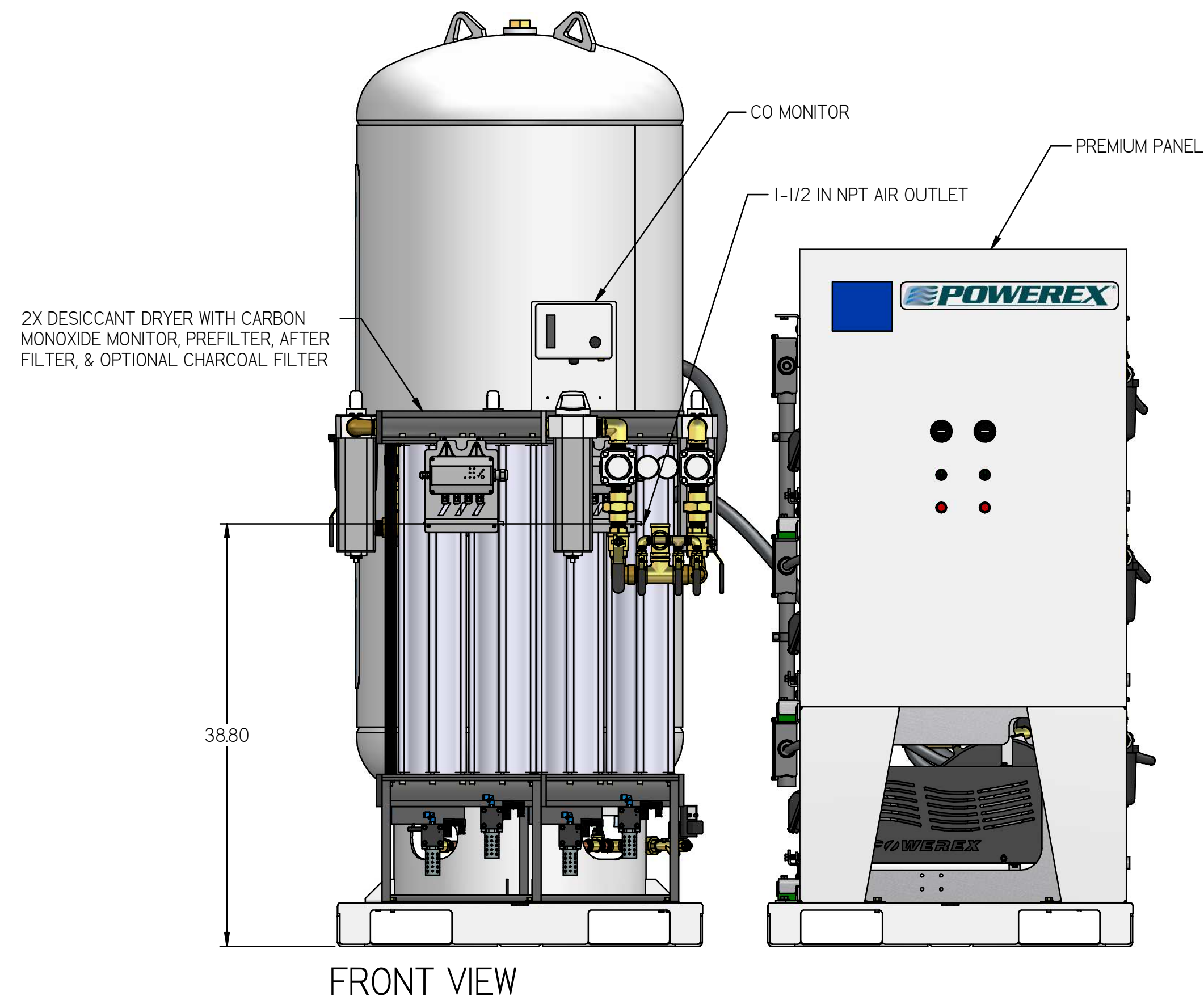
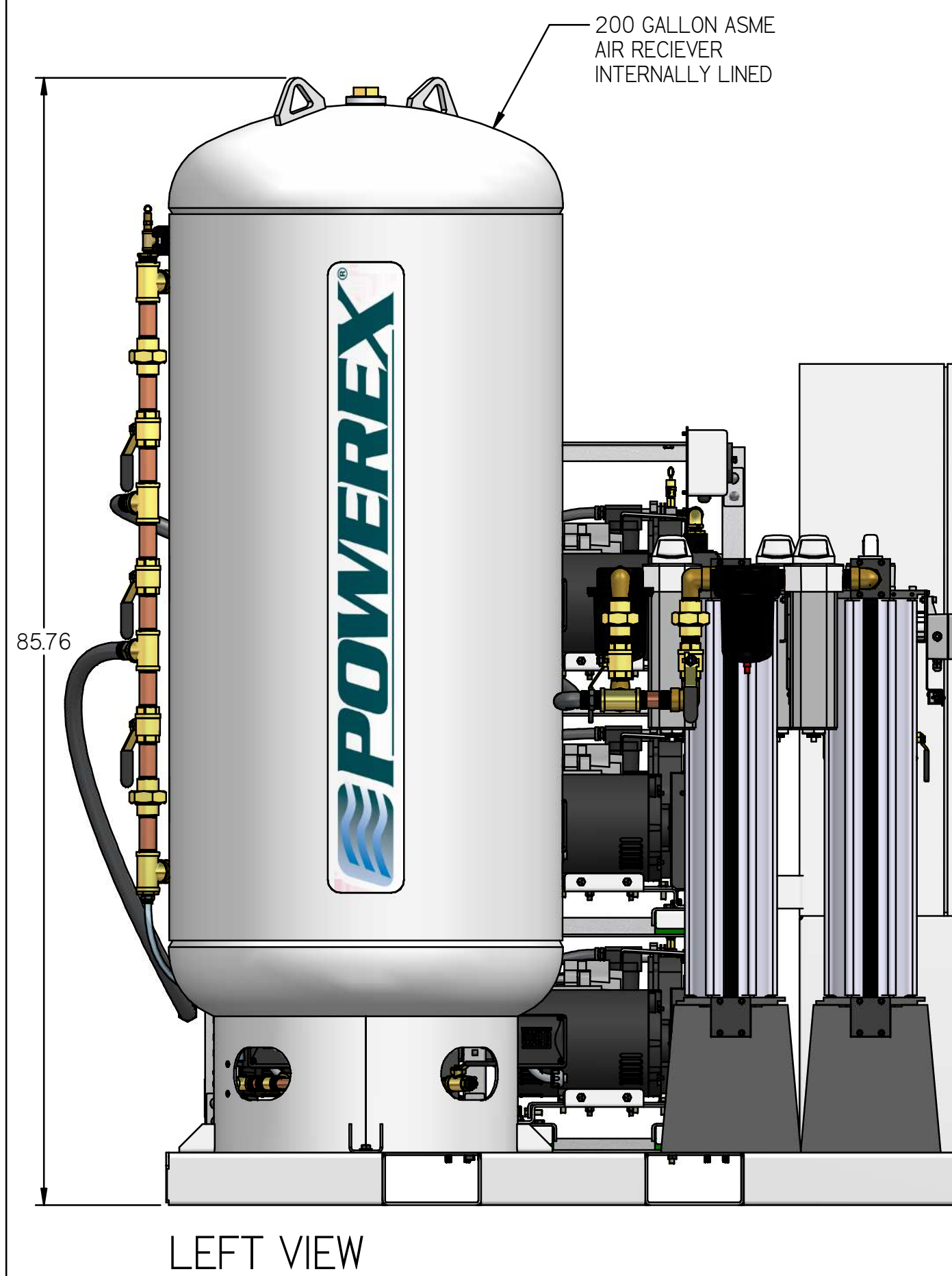
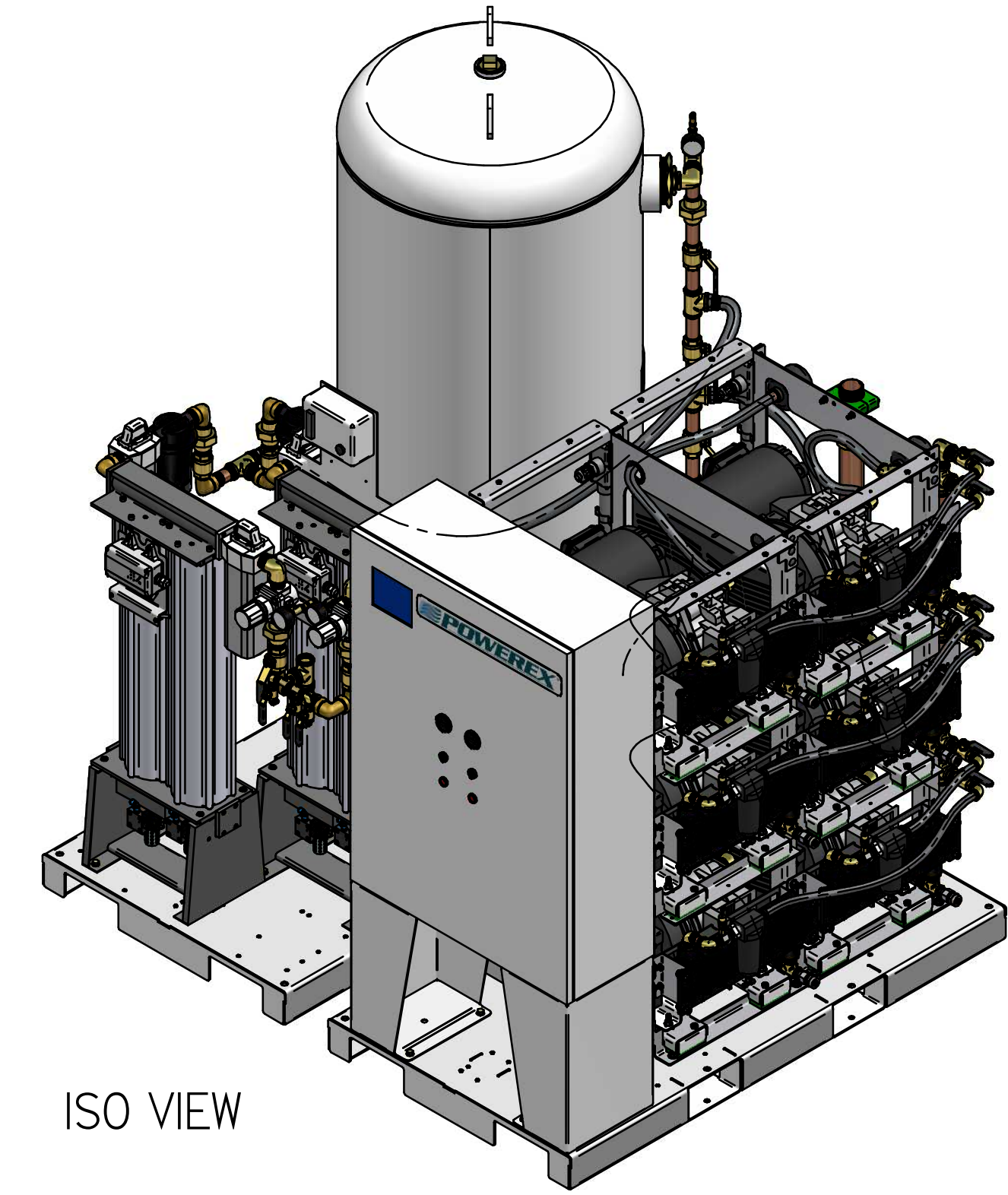
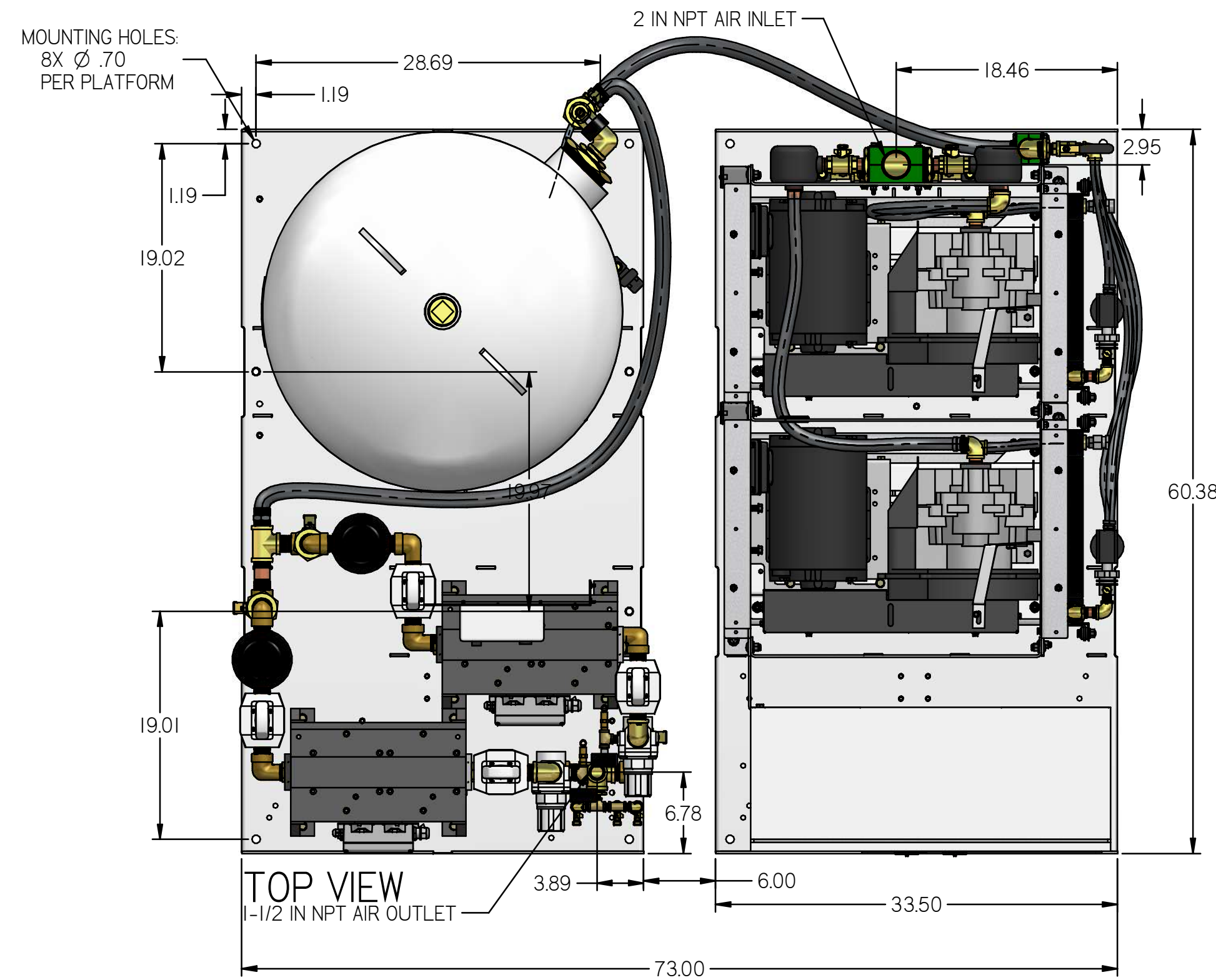


REVISION NOTES		
DESCRIPTION	ECN	PR/NOR
PRODUCTION RELEASE	PXECO169	N/A

# MSD15A5

MEDICAL OPEN SCROLL 15HP  
 DUPLEX WITH 200 GALLON  
 TANK  
 PREMIUM PANEL



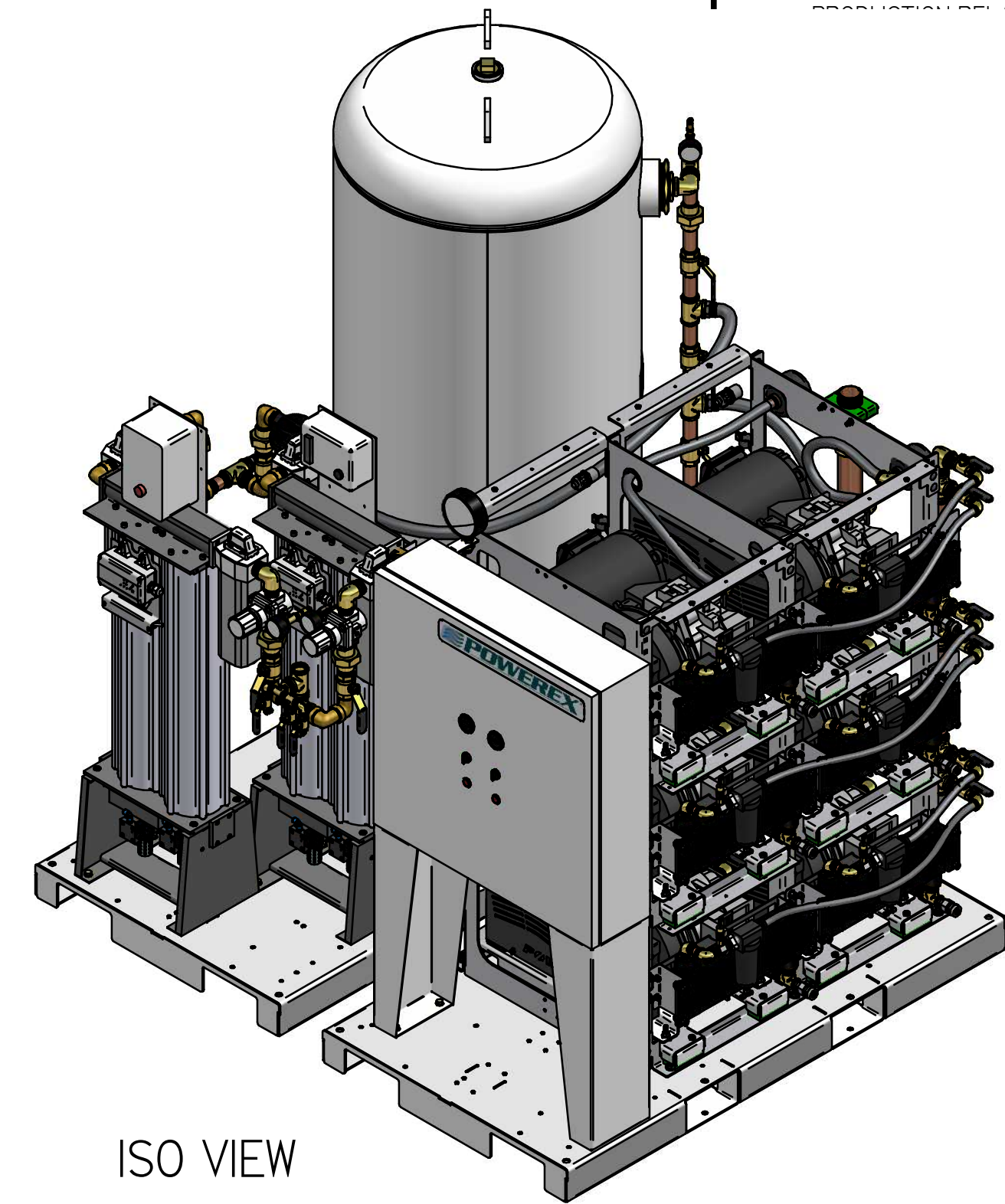
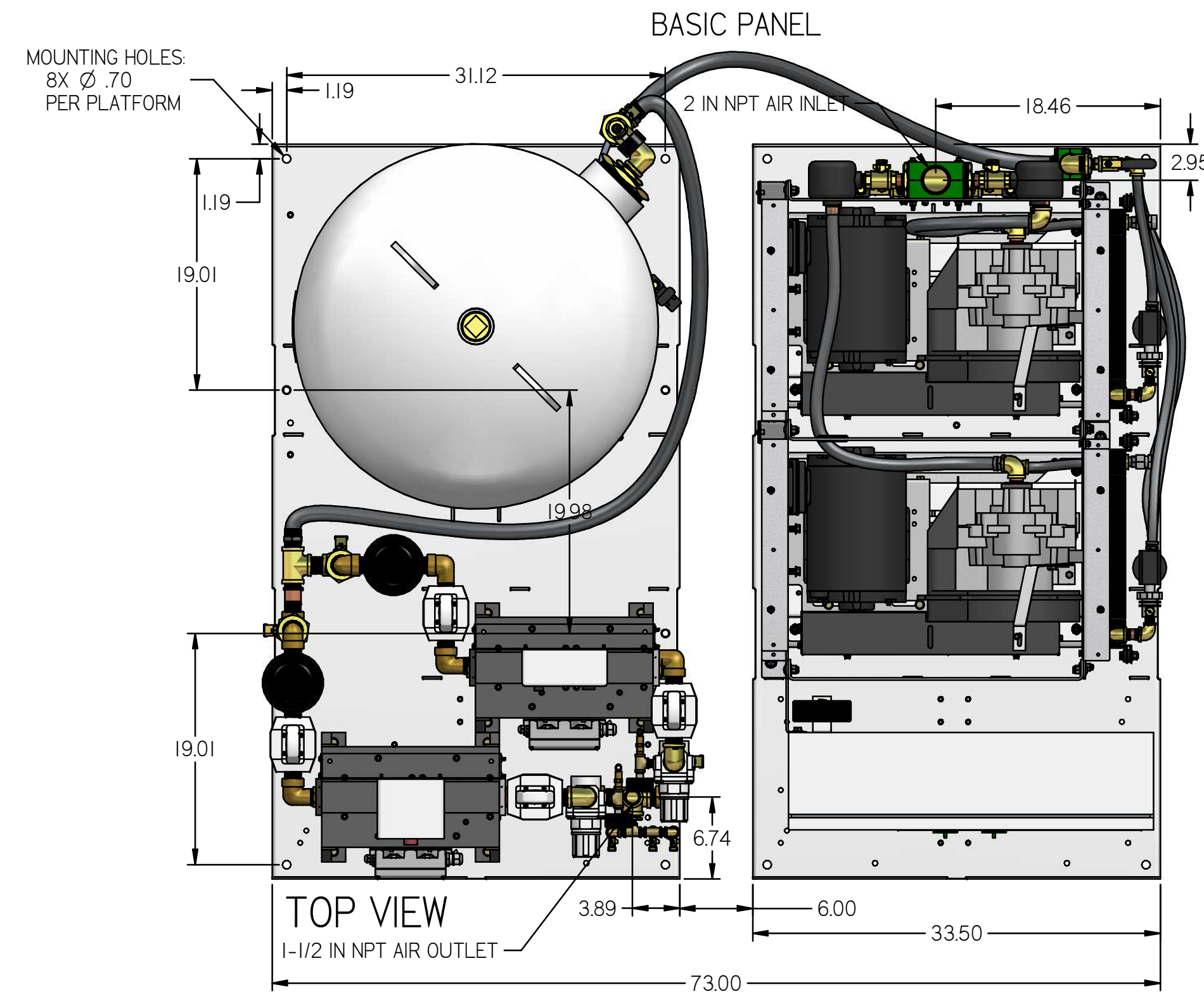
- NOTES:
- APPROX SYSTEM WEIGHT: 3027 LB
  - 24" MINIMUM MAINTENANCE CLEARANCE RECOMMENDED ALL SIDES. CLEARANCE FOR CONTROL PANEL SHALL BE IN ACCORDANCE WITH OSHA/NEC REQUIREMENTS

SYMBOL LEGEND		DRAWINGS TO CONFORM TO CURRENT REVISION OF THE FOLLOWING ANSI STANDARDS:		
TOLERANCES NOT SPECIFIED	SOLID EDGE DRAWING	DO NOT SCALE DRAWING FOR DIMENSIONS		
0.XXX ± .01	INCH	SHEET 1 OF 5		SCALE 1:10
0.XXX ± .005		APPROVALS ON FILE IN PLM		
CONFIDENTIAL DISCLOSURE This drawing is the property of POWEREX of the SCOTT FETTER COMPANY and is subject to return on demand. Its contents are confidential and must not be copied or submitted to outside parties for use or examination.		AUTHOR	ORIGINATION DATE	APPROVALS ON FILE IN PLM
716297		ASoulek	10/30/2016	
MATERIAL: SEE PART DRAWINGS				
DESCRIPTION: MEDICAL OPEN SCROLL 15HP DUPLEX WITH 200 GALLON TANK		DRAWING NUMBER: MSD15A5	REVISION: B	SIZE: D

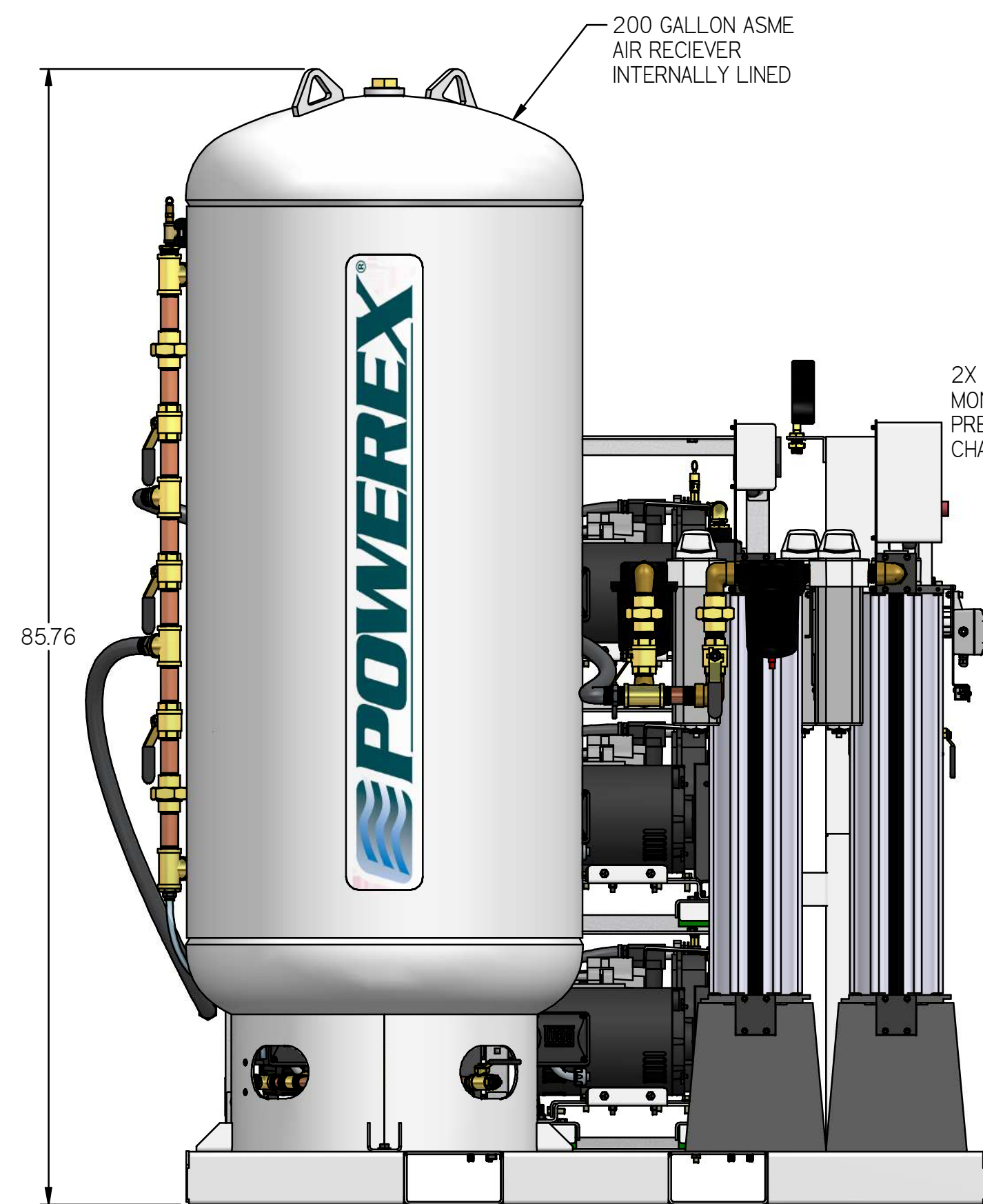
REVISION NOTES		
DESCRIPTION	ECN	PR/NOR
PRODUCTION RELEASE	PXEC0169	N/A

# MSD15A5

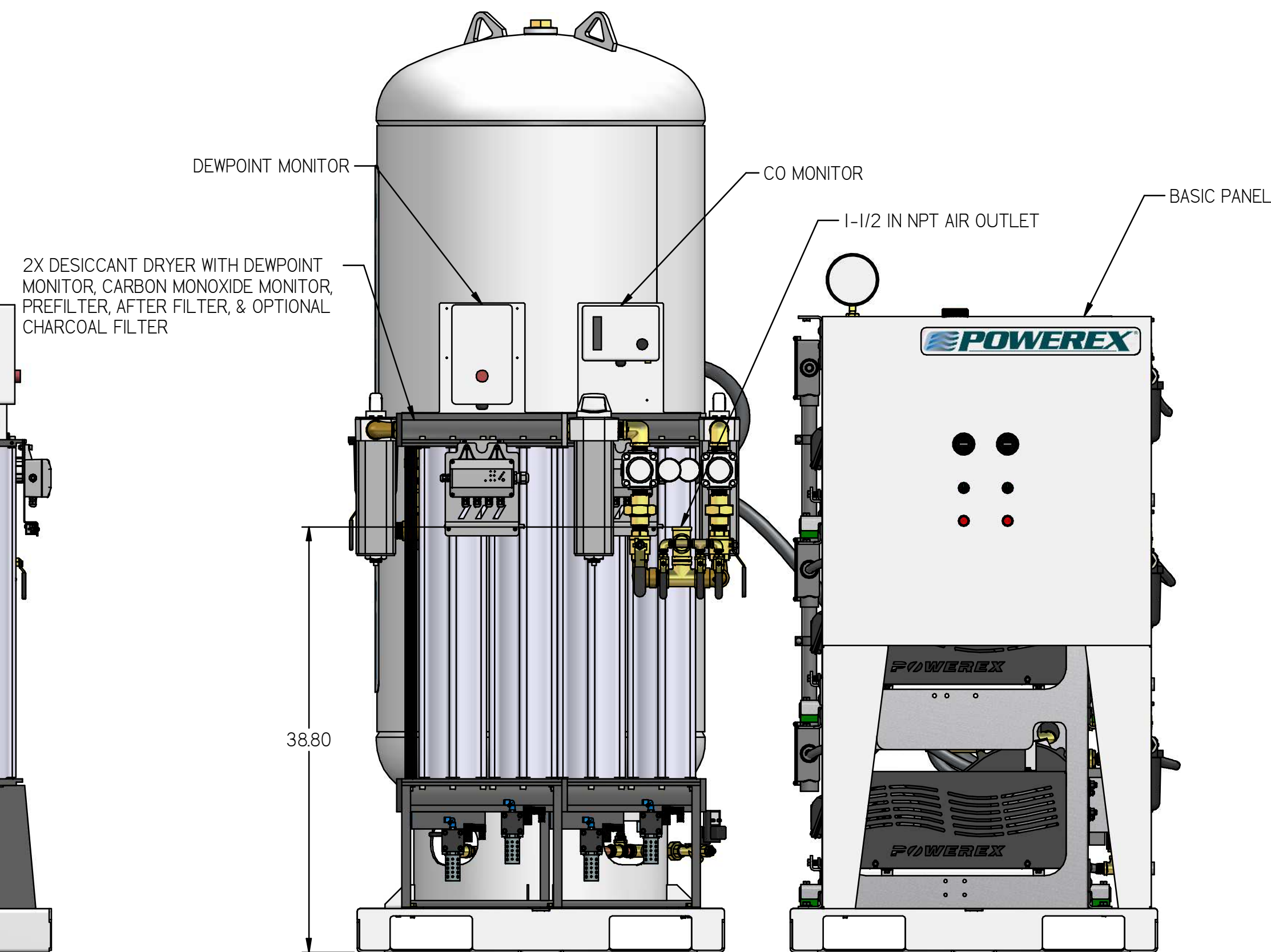
## MEDICAL OPEN SCROLL 15HP DUPLEX WITH 200 GALLON TANK



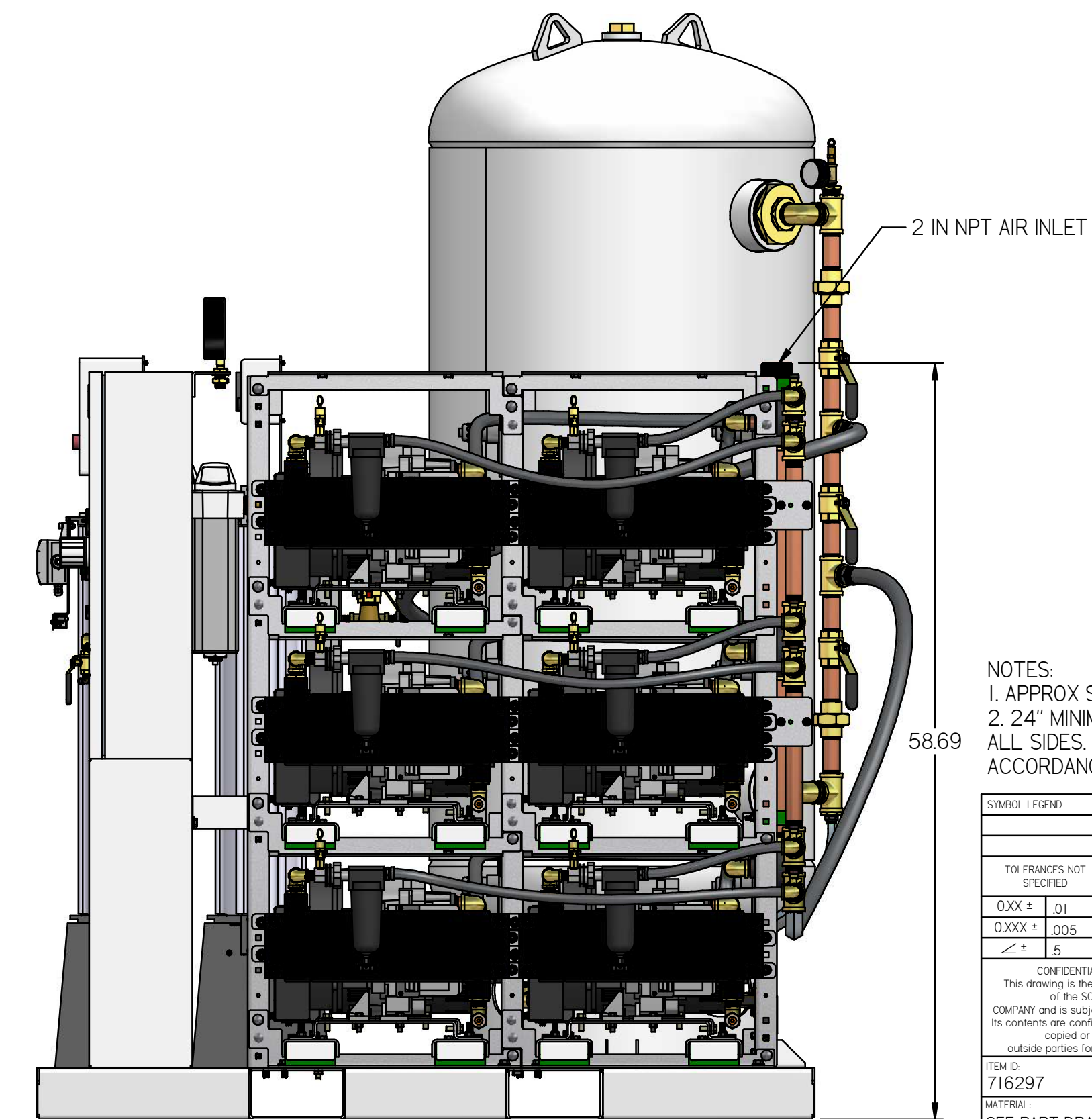
ISO VIEW



LEFT VIEW



FRONT VIEW



RIGHT VIEW

- NOTES:
- APPROX SYSTEM WEIGHT: 3027 LB
  - 24" MINIMUM MAINTENANCE CLEARANCE RECOMMENDED ALL SIDES. CLEARANCE FOR CONTROL PANEL SHALL BE IN ACCORDANCE WITH OSHA/NEC REQUIREMENTS

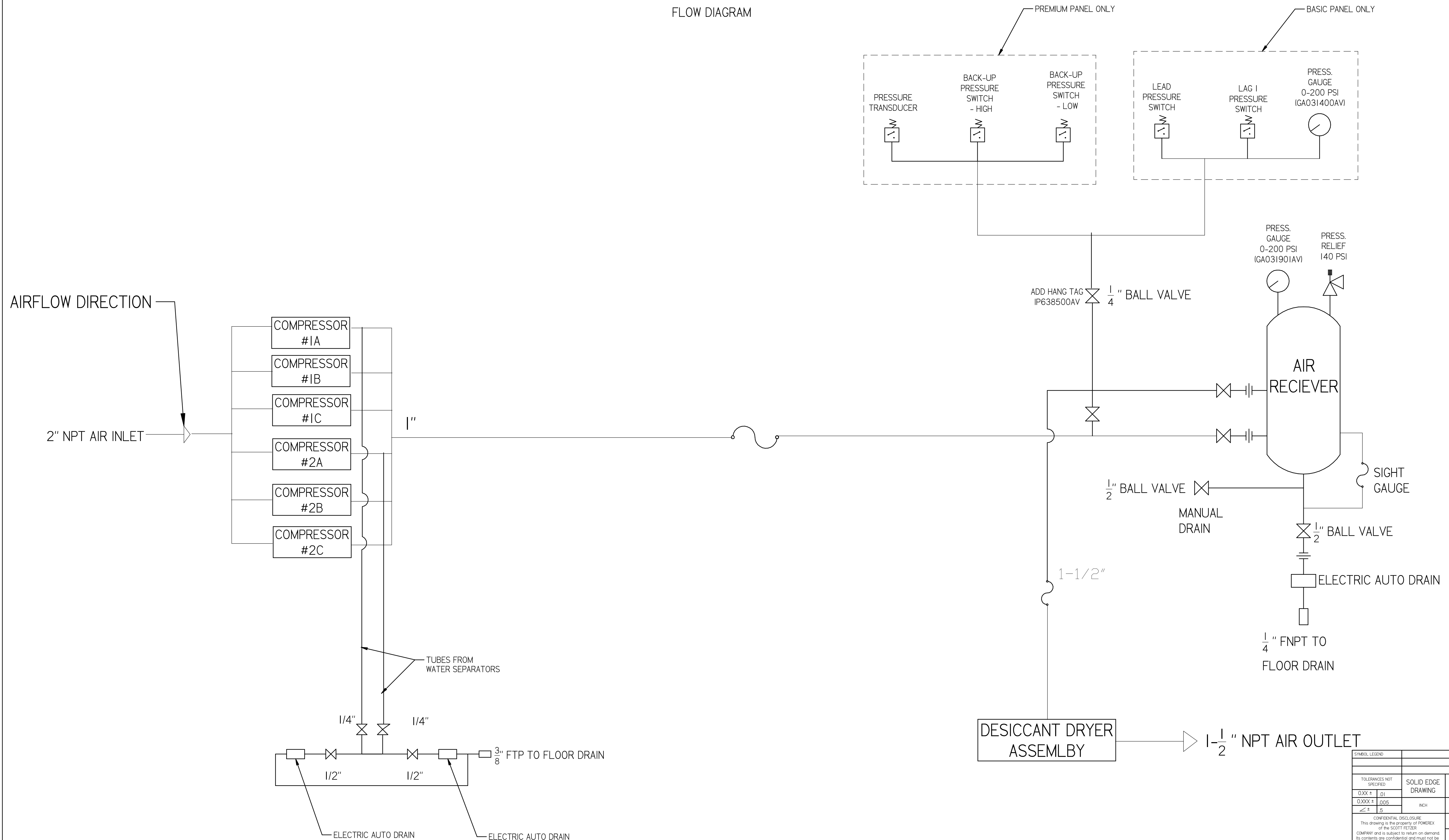
SYMBOL LEGEND		DRAWINGS TO CONFORM TO CURRENT REVISION OF THE FOLLOWING ANSI STANDARDS:		
TOLERANCES NOT SPECIFIED	SOLID EDGE DRAWING	Y14.3 MULTI AND SECTIONAL VIEW DIMS	Y14.5 DIMENSIONING AND TOLERANCING	
0.XXX ± .01	DRAWING	INCH	SHEET 2 OF 5	
0.XXX ± .005				SCALE
CONFIDENTIAL DISCLOSURE: This drawing is the property of POWEREX of the SCOTT FETTER COMPANY and is subject to return on demand. Its contents are confidential and must not be copied or submitted to outside parties for use or examination.		AUTHOR	ORIGINATION DATE	APPROVALS ON FILE IN PLM
DRAWING NUMBER: 716297		ASoulek	10/30/2016	
MATERIAL: SEE PART DRAWINGS				
DESCRIPTION: MEDICAL OPEN SCROLL 15HP DUPLEX WITH 200 GALLON TANK		DRAWING NUMBER: MSD15A5	REVISION: B	SIZE: D

# MSD15A5

## MEDICAL OPEN SCROLL 15HP DUPLEX WITH 200 GALLON TANK

FLOW DIAGRAM

REVISION NOTES		
DESCRIPTION	ECN	PR/NOR
PRODUCTION RELEASE	PXECO169	N/A



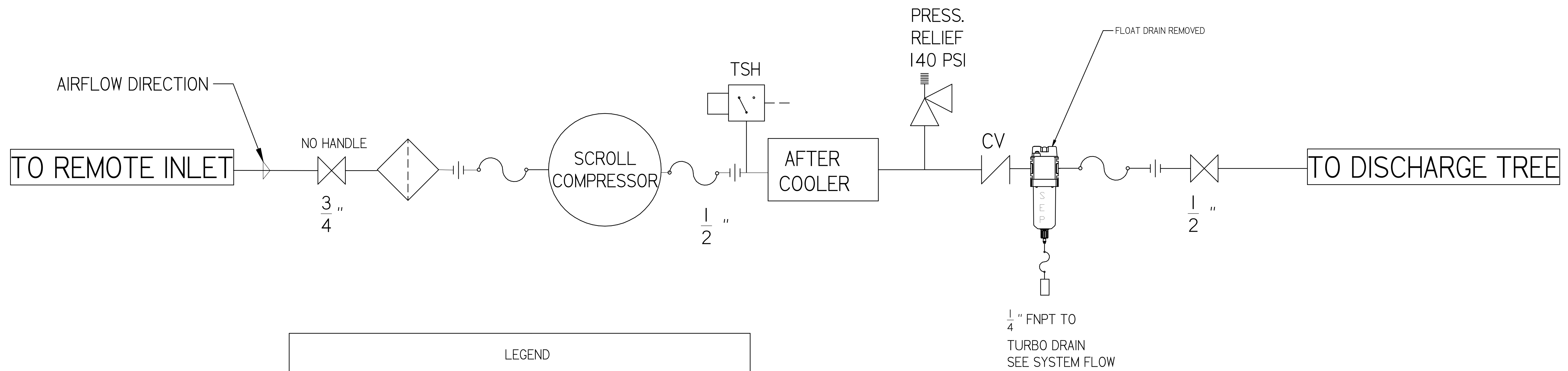
SYMBOL LEGEND		DRAWINGS TO CONFORM TO CURRENT REVISION OF THE FOLLOWING ANSI STANDARDS:	
TOLERANCES NOT SPECIFIED		Y14.3 MULTI AND SECTIONAL VIEW DIMS	
0.XXX ± .01		Y14.5 DIMENSIONING AND TOLERANCING	
0.XXX ± .005		DO NOT SCALE DRAWING FOR DIMENSIONS	
± .5		SHEET 3 OF 5	
INCH		SCALE 1:1	
<small>CONFIDENTIAL DISCLOSURE</small> This drawing is the property of POWEREX of the SCOTT FETTER COMPANY and is subject to return on demand. Its contents are confidential and must not be copied or submitted to outside parties for use or examination.			
<small>APPROVALS ON FILE IN PLM</small> AUTHOR: ASoulek ORIGINATION DATE: 10/30/2016		<small>APPROVALS ON FILE IN PLM</small>	
DRAWING NUMBER: MSD15A5 REVISION: B		SIZE: D	



REVISION NOTES		
DESCRIPTION	ECN	PR/NOR
PRODUCTION RELEASE	PXECO169	N/A

# MSD15A5

MEDICAL OPEN SCROLL 15HP  
 DUPLEX WITH 200 GALLON  
 TANK  
 MEDICAL COMPRESSOR  
 FLOW DIAGRAM



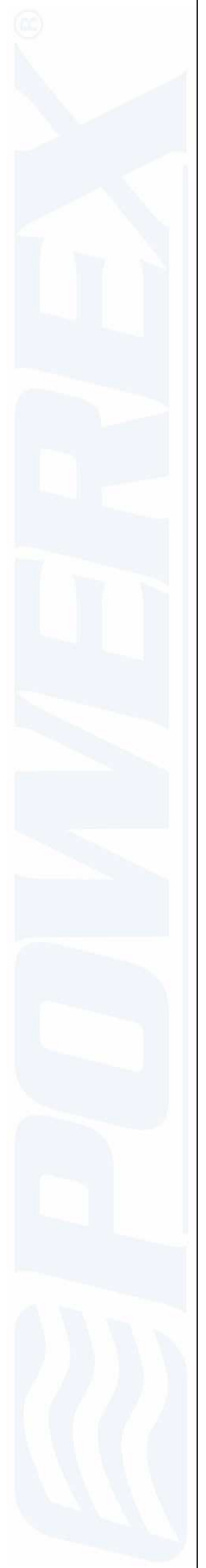
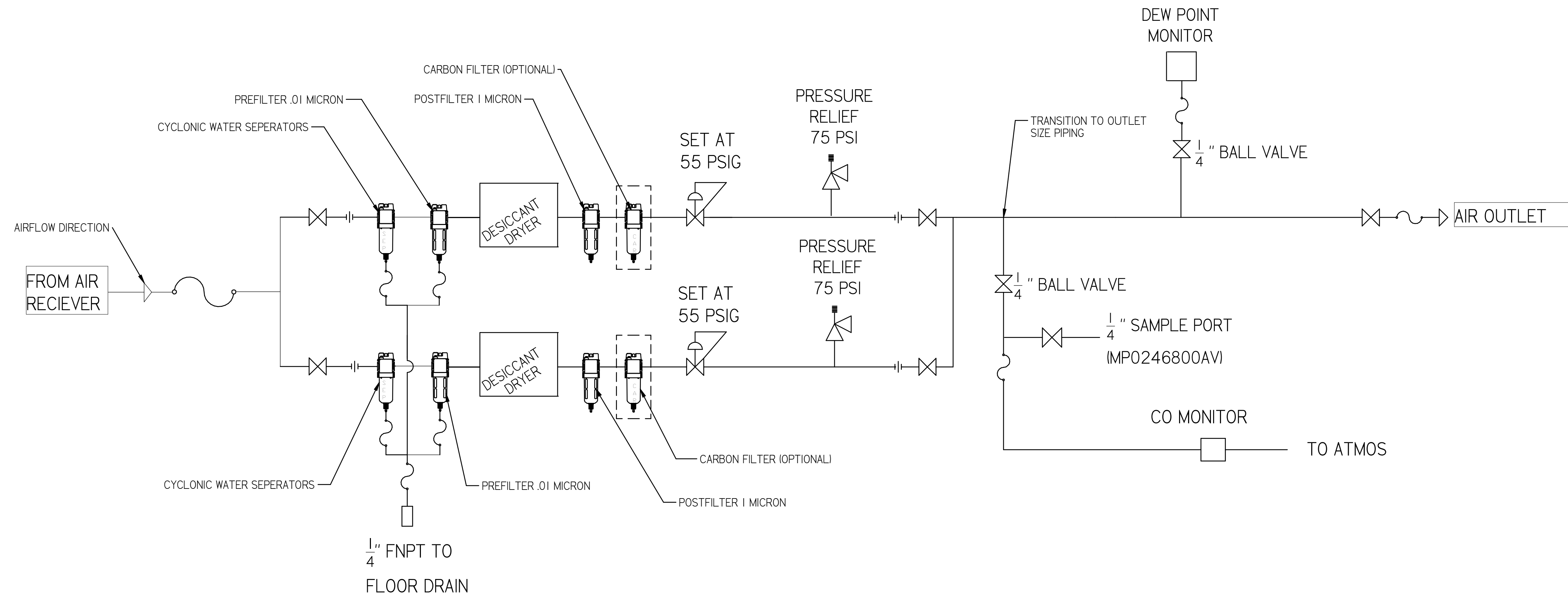
LEGEND	
	RELIEF VALVE
	INTAKE FILTER
	AIR FILTER
	3 WAY VALVE
	CARBON FILTER
	BALL VALVE
	PRESSURE SWITCH
	REGULATOR
	SEPARATOR
	CHECK VALVE
	FLEX LINE
	TSH HIGH TEMP SWITCH

SYMBOL LEGEND		DRAWINGS TO CONFORM TO CURRENT REVISION OF THE FOLLOWING ANSI STANDARDS:	
		Y14.3 MULTI AND SECTIONAL VIEW DWGS Y14.5 DIMENSIONING AND TOLERANCING	
TOLERANCES NOT SPECIFIED	SOLID EDGE DRAWING	DO NOT SCALE DRAWING FOR DIMENSIONS	
0.001 ± 0.01	INCH	SHEET 4 OF 5	SCALE 1:1
0.0005 ± 0.005			
CONFIDENTIAL DISCLOSURE This drawing is the property of POWEREX of the SCOTT FETTER COMPANY and is subject to return on demand. Its contents are confidential and must not be copied or submitted to outside parties for use or examination.		AUTHOR	APPROVALS ON FILE IN PLM
		ASoulek	10/30/2016
DRAWING NUMBER: 716297			
MATERIAL: SEE PART DRAWINGS		150 PRODUCTION DRIVE, HARRISON OH 45030 888-768-7079	
DESCRIPTION: MEDICAL OPEN SCROLL 15HP DUPLEX WITH 200 GALLON TANK	DRAWING NUMBER: MSD15A5	REVISION: B	SIZE: D

REVISION NOTES		
DESCRIPTION	ECN	PR/NOR
PRODUCTION RELEASE	PXECO169	N/A

# MSD15A5

MEDICAL OPEN SCROLL 15HP  
 DUPLEX WITH 200 GALLON  
 TANK  
 MEDICAL DRYER  
 FLOW DIAGRAM



PIPE SIZE CHART		
PUMP COUNT	DRYER PLUMBING SIZE	OUTLET PIPE SIZE
2	1/2"	1/2"
3	1/2"	1"
4	1/2"	1"
6	1"	1-1/2"
8	1"	1-1/2"
9	1"	1-1/2"
12	1-1/2"	2"
15	1-1/2"	2"
18	1-1/2"	2"

SYMBOL LEGEND		DRAWINGS TO CONFORM TO CURRENT REVISION OF THE FOLLOWING ANSI STANDARDS: Y14.3 MULTI AND SECTIONAL VIEW DWGS Y14.5 DIMENSIONING AND TOLERANCING	
TOLERANCES NOT SPECIFIED	SOLID EDGE DRAWING	DO NOT SCALE DRAWING FOR DIMENSIONS	
0.XXX ± .01		SHEET 5 OF 5	SCALE 1:1
0.XXX ± .005	AUTHOR		
± .5		ASoulek	10/30/2016
<small>CONFIDENTIAL DISCLOSURE</small> This drawing is the property of POWEREX of the SCOTT FETTER COMPANY and is subject to return on demand. Its contents are confidential and must not be copied or submitted to outside parties for use or examination.			
FROM: 716297 MATERIAL: SEE PART DRAWINGS		DRAWING NUMBER: MSD15A5 REVISION: B SIZE: D	
DESCRIPTION: MEDICAL OPEN SCROLL 15HP DUPLEX WITH 200 GALLON TANK		ISO PRODUCTION DRIVE, HARRISON OH 45030 (888) 768-7079	