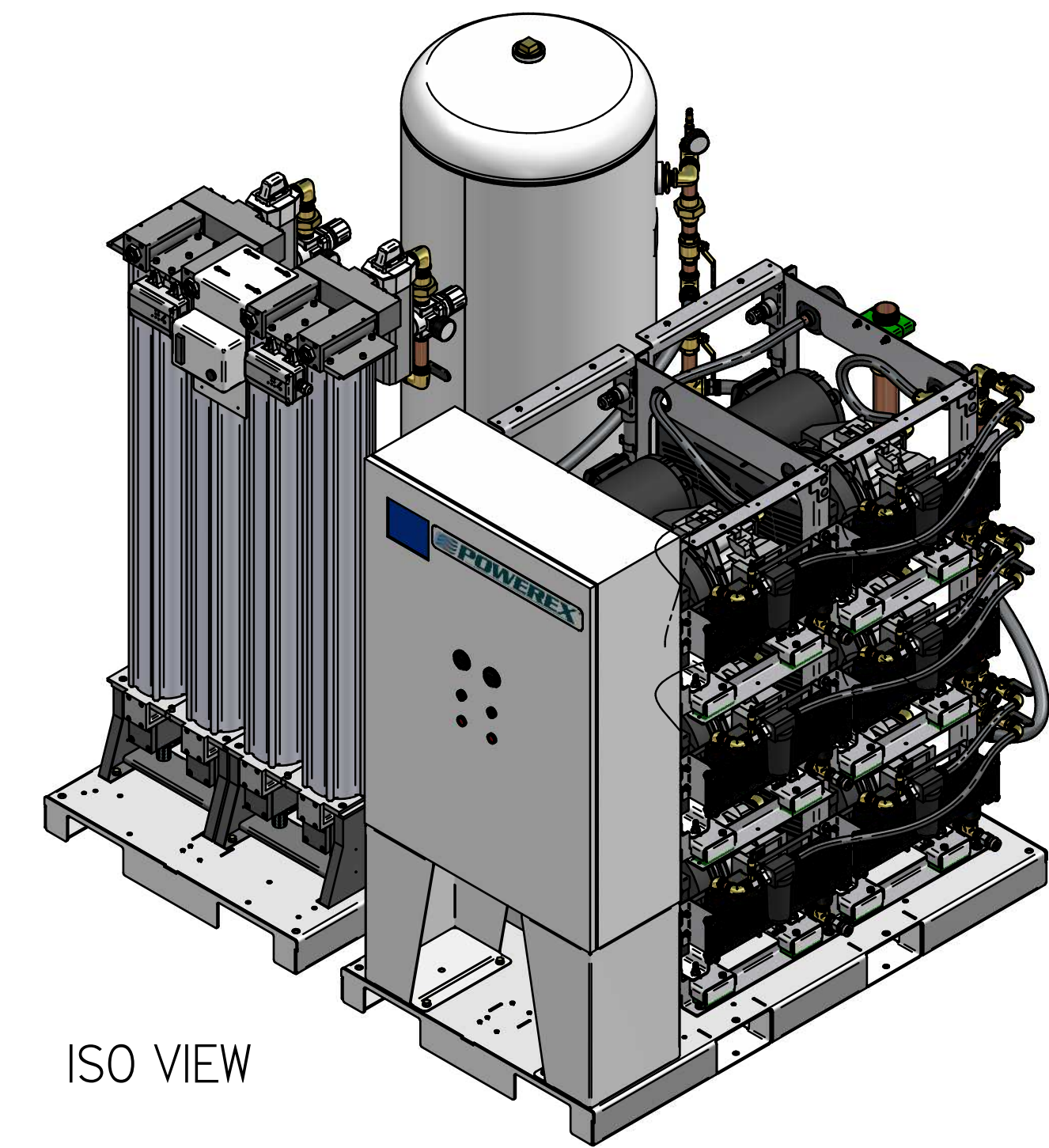
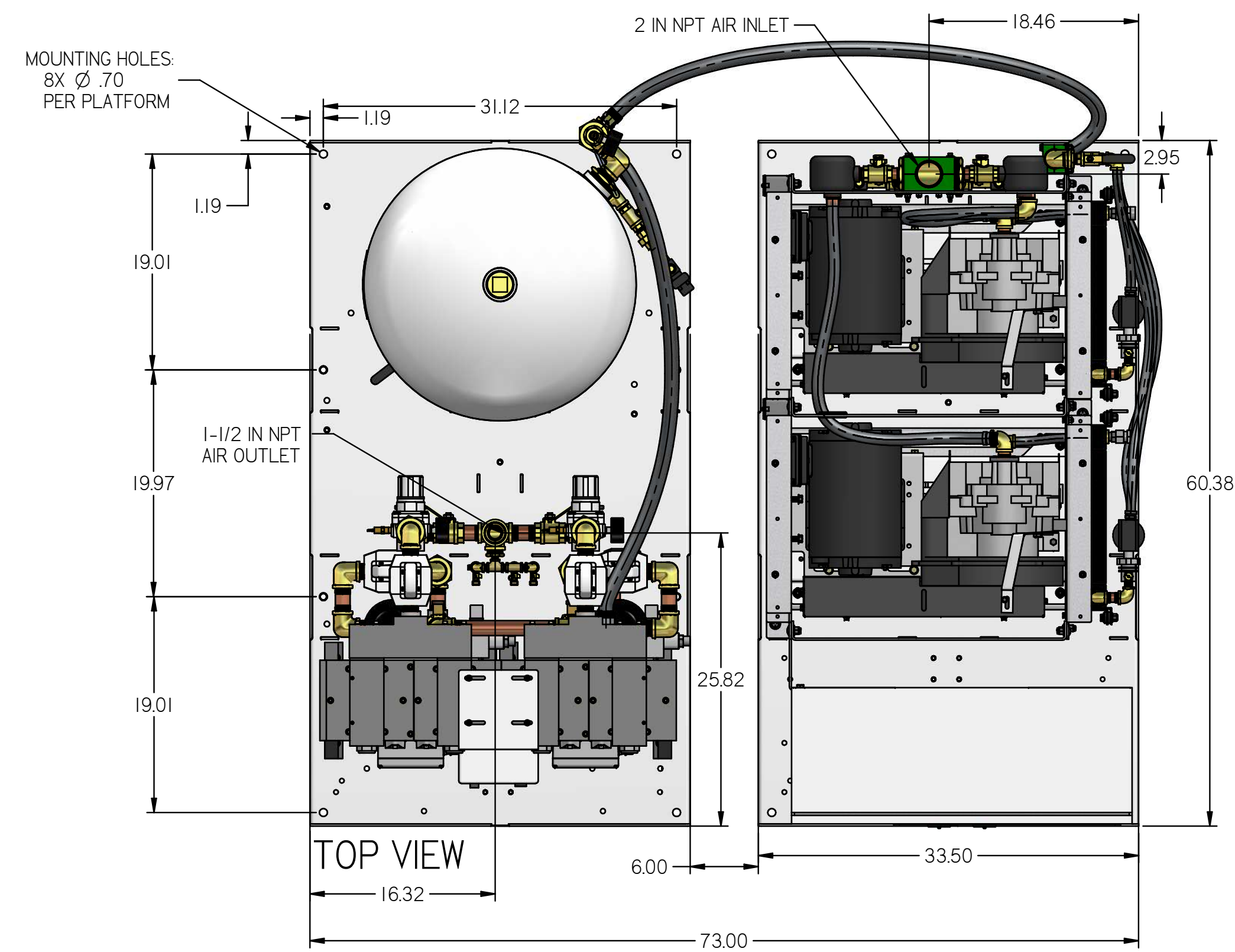


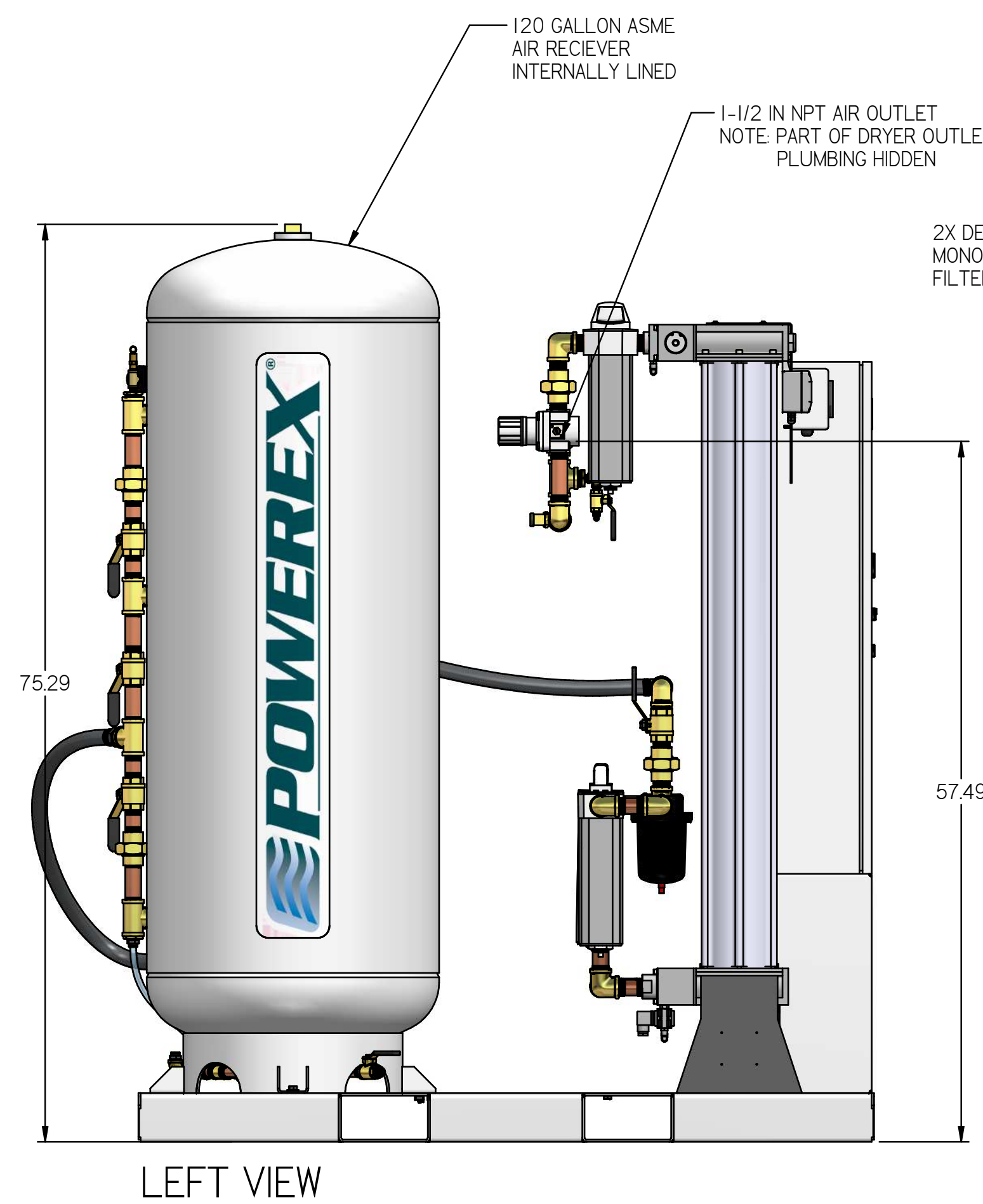
REVISION NOTES		
DESCRIPTION	ECN	PR/NOR
PRODUCTION RELEASE	PXECO169	N/A

MSH05A4

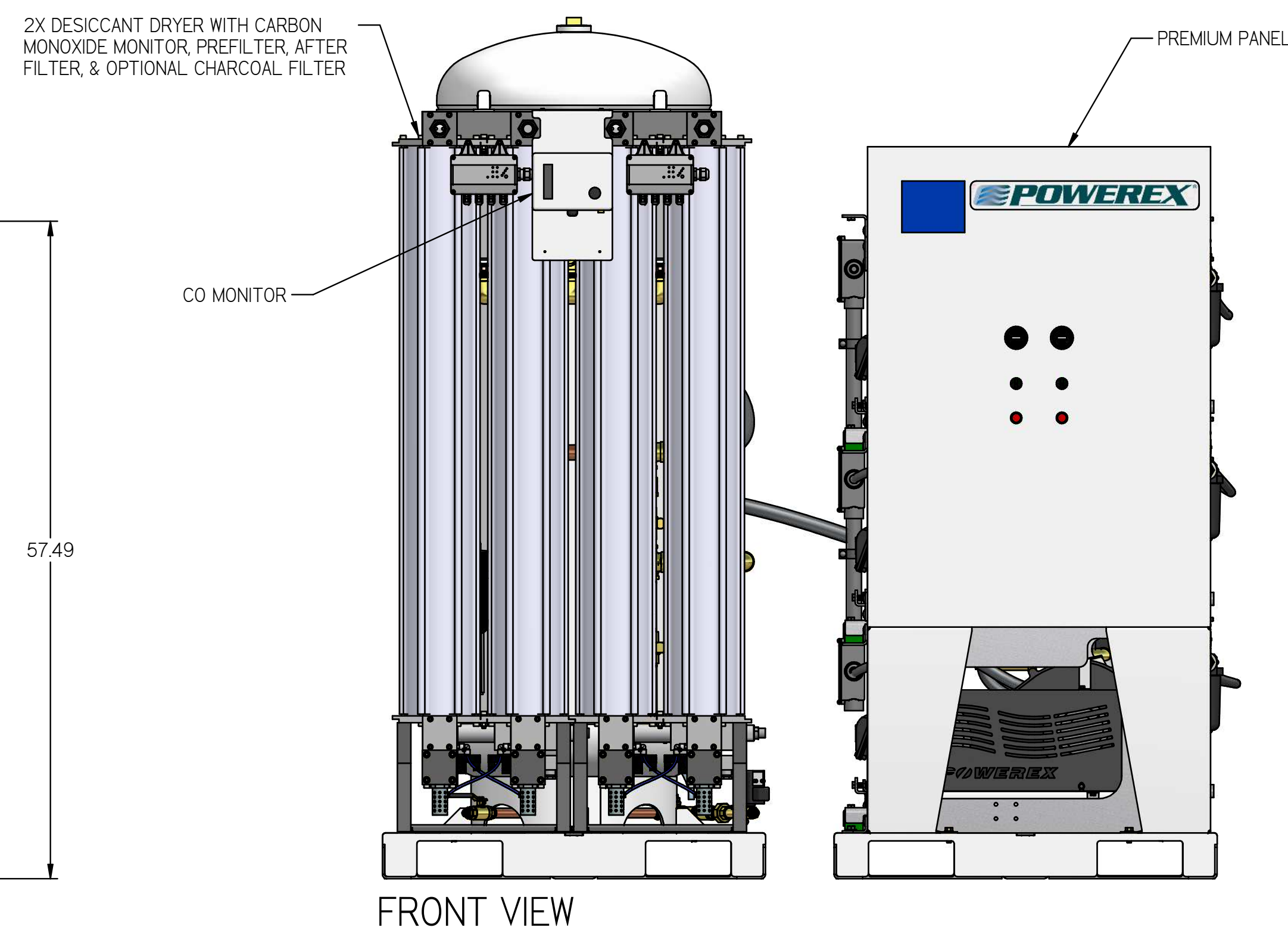
MEDICAL OPEN SCROLL 5 HP HEXAPLEX WITH 120 GALLON TANK PREMIUM PANEL



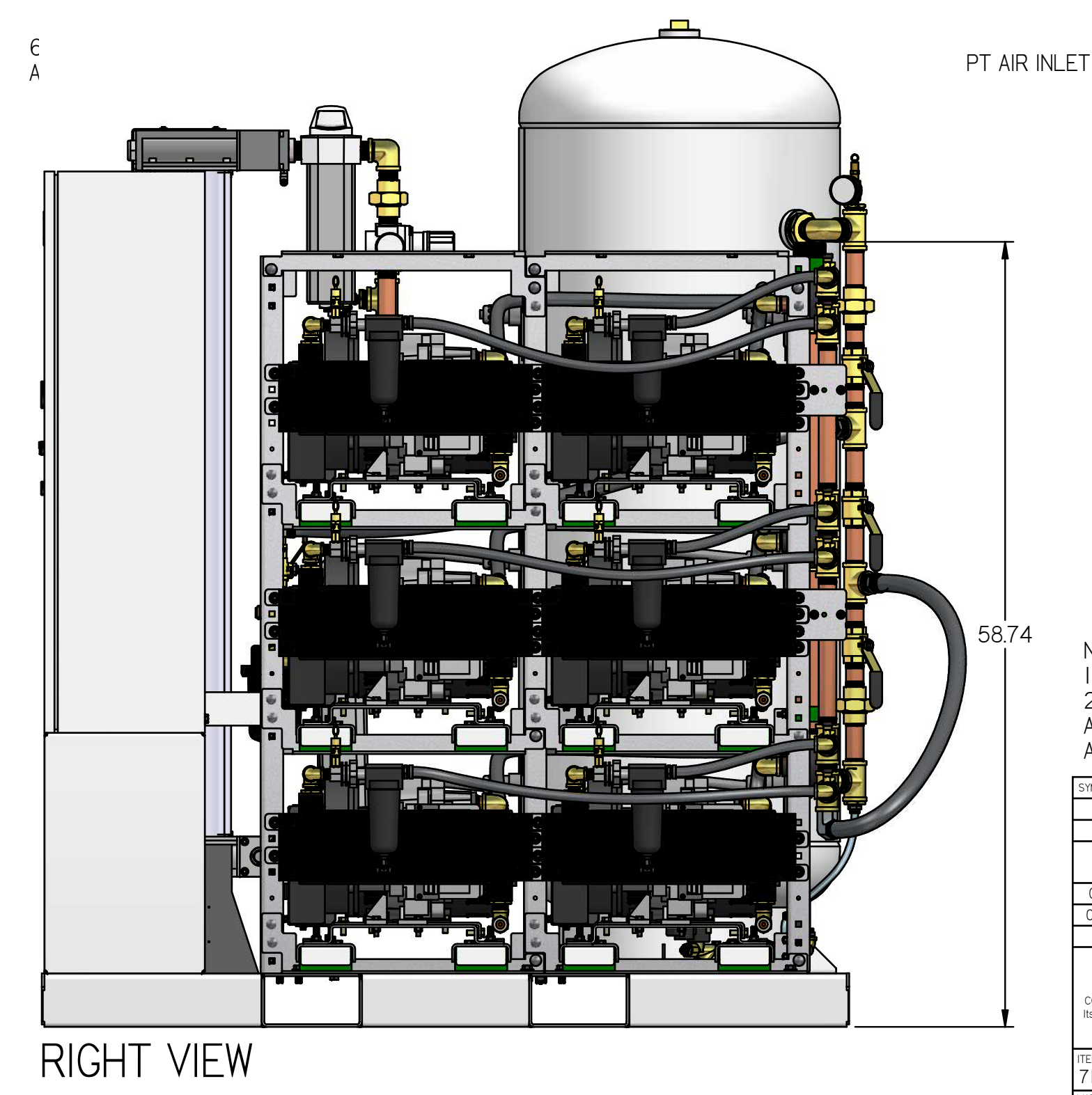
ISO VIEW



LEFT VIEW



FRONT VIEW



RIGHT VIEW

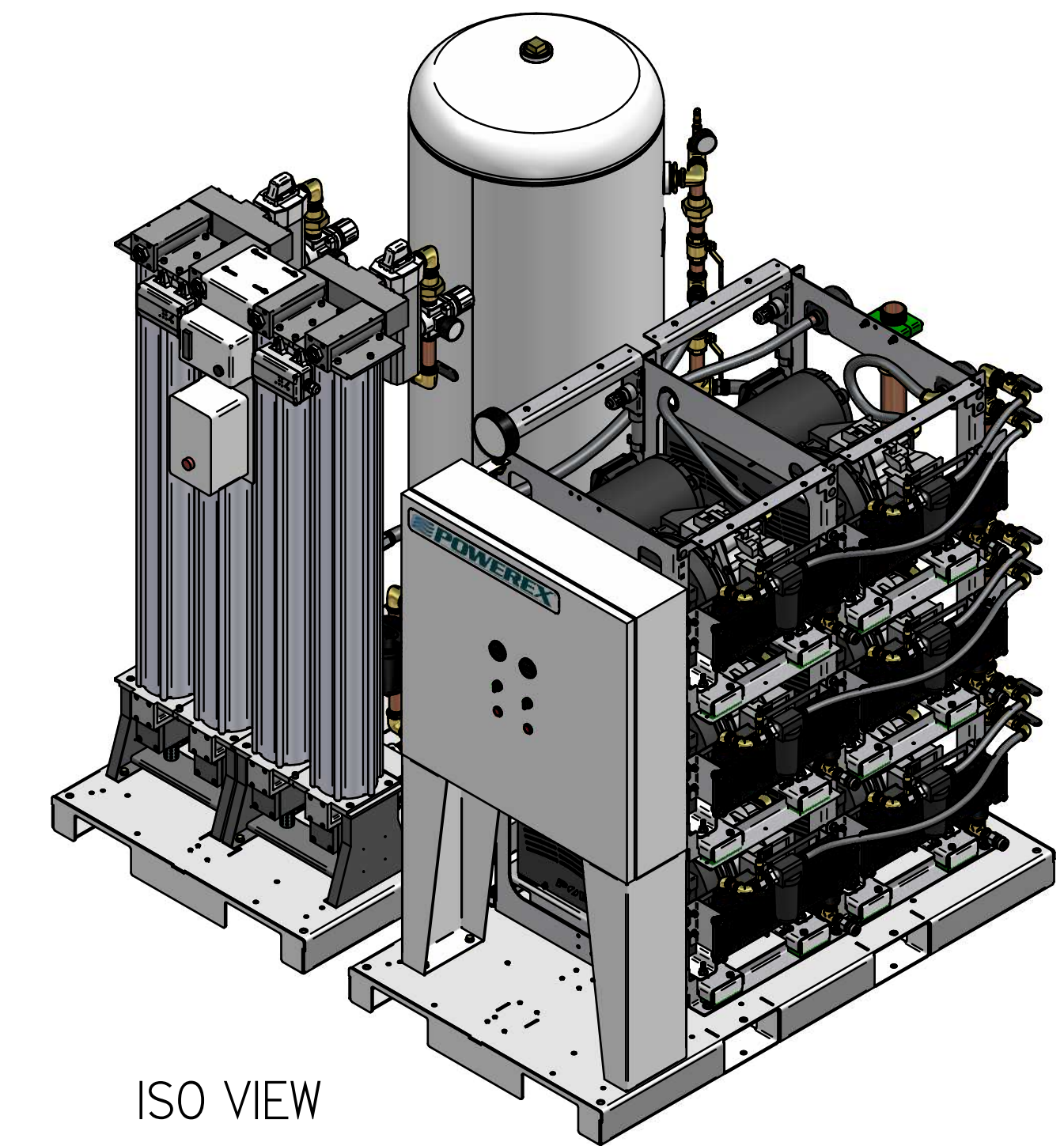
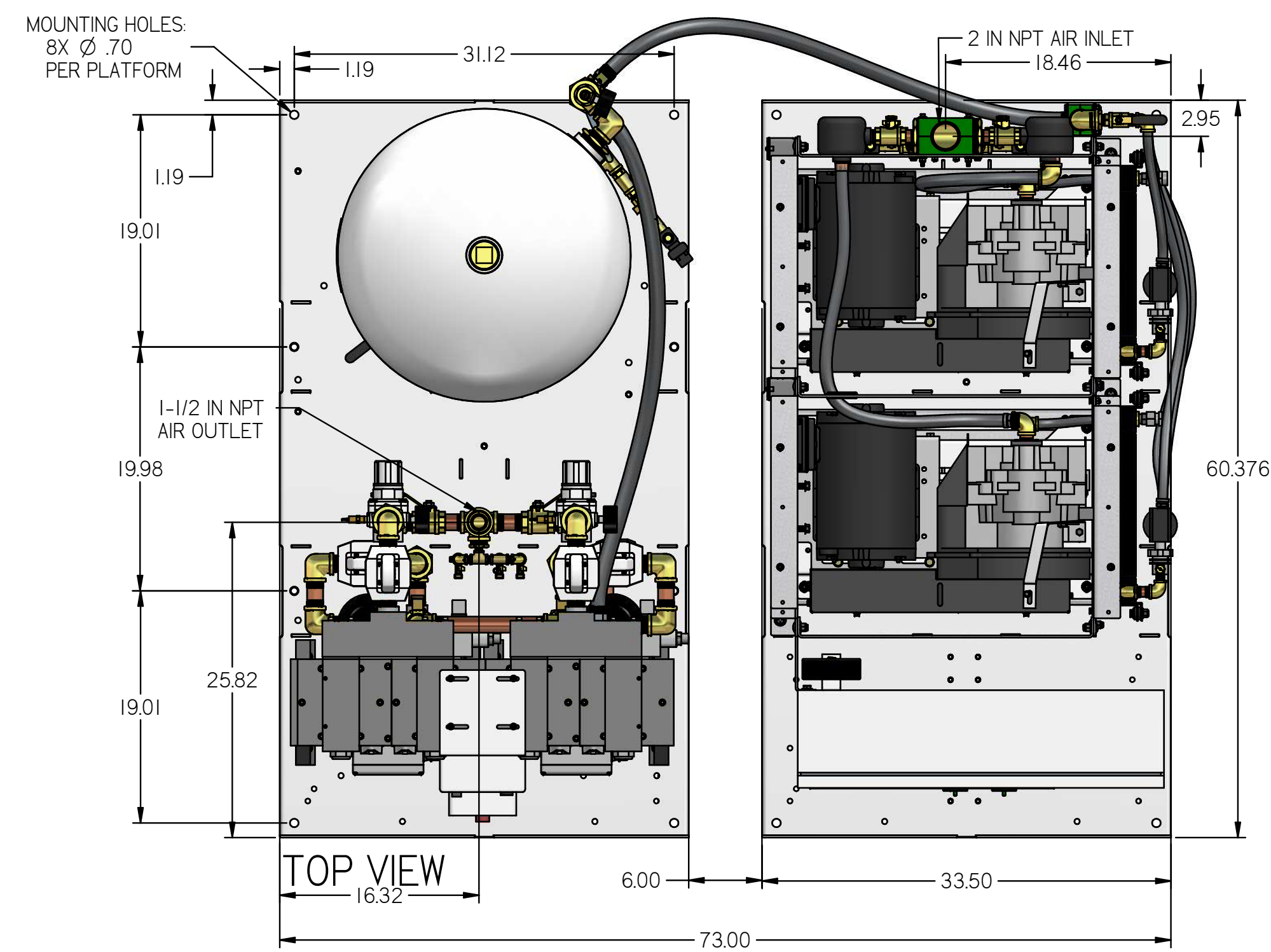
- NOTES:
 1. APPROX SYSTEM WEIGHT: 2994 LB
 2. 24" MINIMUM MAINTENANCE CLEARANCE RECOMMENDED ALL SIDES. CLEARANCE FOR CONTROL PANEL SHALL BE IN ACCORDANCE WITH OSHA/NEC REQUIREMENTS

SYMBOL LEGEND		DRAWINGS TO CONFORM TO CURRENT REVISION OF THE FOLLOWING ANSI STANDARDS:		
TOLERANCES NOT SPECIFIED	SOLID EDGE DRAWING	DO NOT SCALE DRAWING FOR DIMENSIONS		
0.XXX ± .01	INCH	SHEET 1 OF 5	SCALE	1:10
0.XXX ± .005				
CONFIDENTIAL DISCLOSURE: This drawing is the property of POWEREX of the SCOTT FETTER COMPANY and is subject to return on demand. Its contents are confidential and must not be copied or submitted to outside parties for use or examination.		AUTHOR	ORIGINATION DATE	APPROVALS ON FILE IN PLM
716294		ASoulek	10/2/2018	
MATERIAL: SEE PART DRAWINGS				
DESCRIPTION: MEDICAL OPEN SCROLL 5 HP HEXAPLEX WITH 120 GALLON TANK				
DRAWING NUMBER: MSH05A4		REVISION: A	SIZE: D	

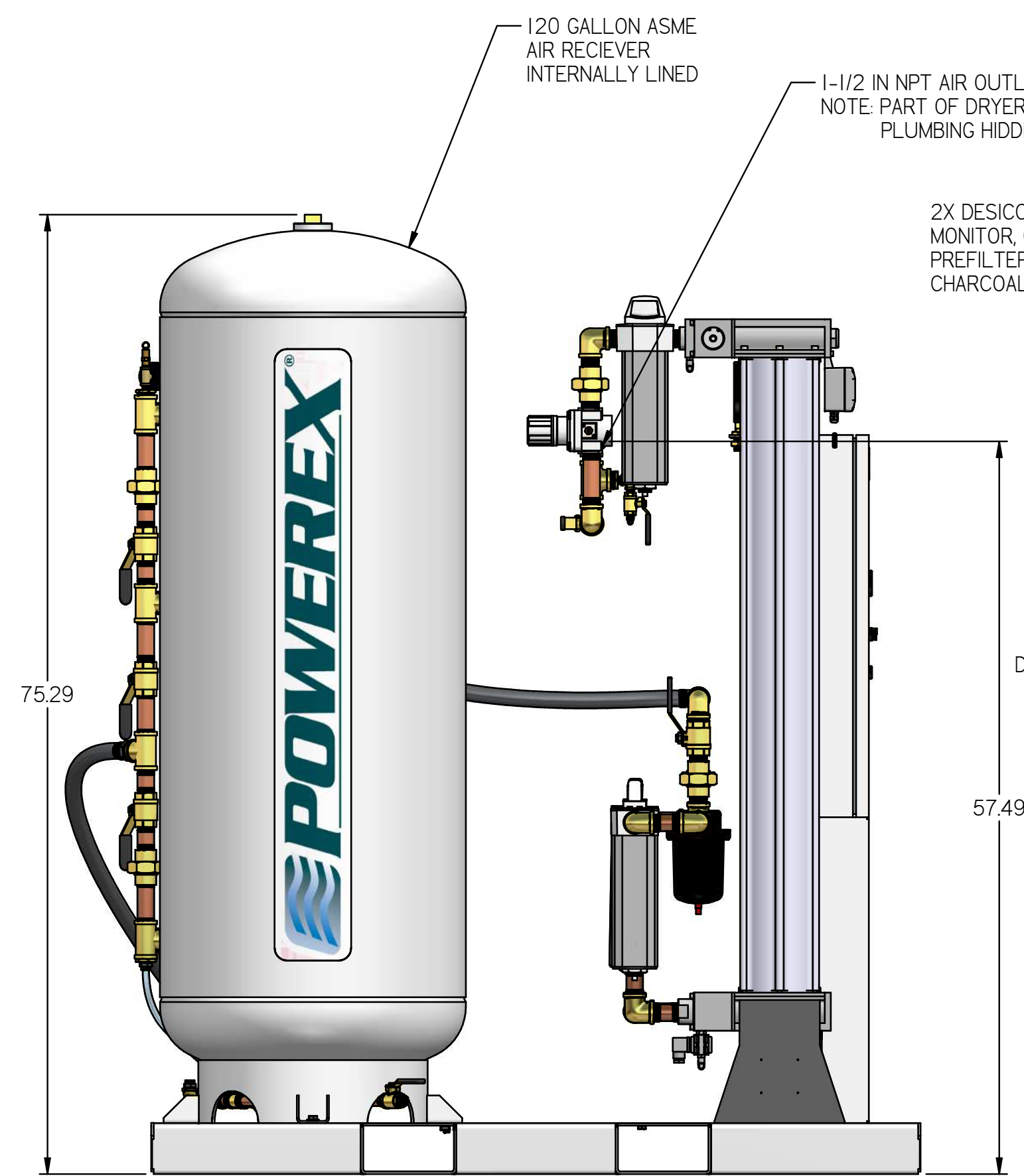
REVISION NOTES		
DESCRIPTION	ECN	PR/NOR
PRODUCTION RELEASE	PXECO169	N/A

MSH05A4

MEDICAL OPEN SCROLL 5 HP HEXAPLEX WITH 120 GALLON TANK BASIC PANEL

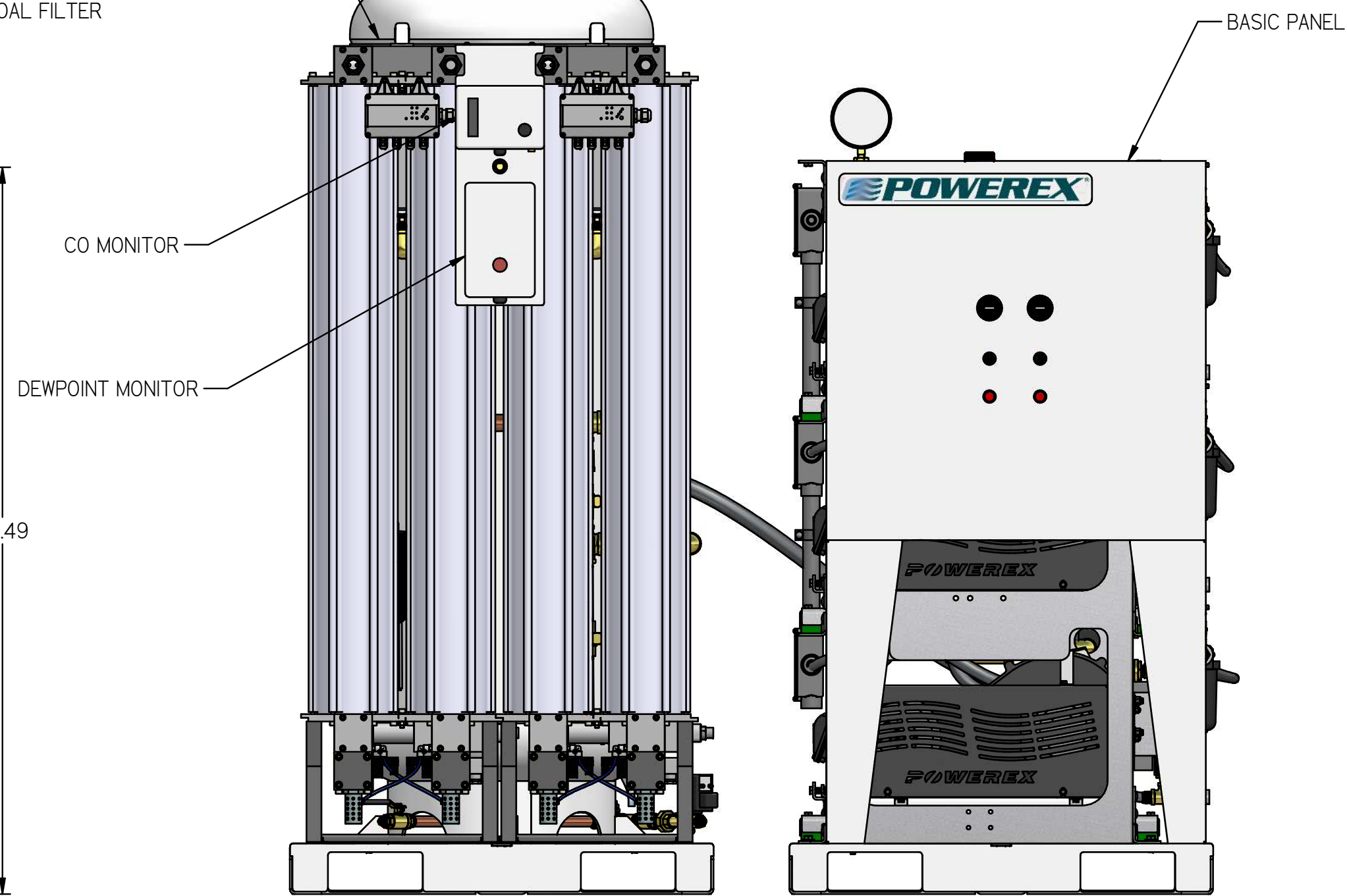


ISO VIEW

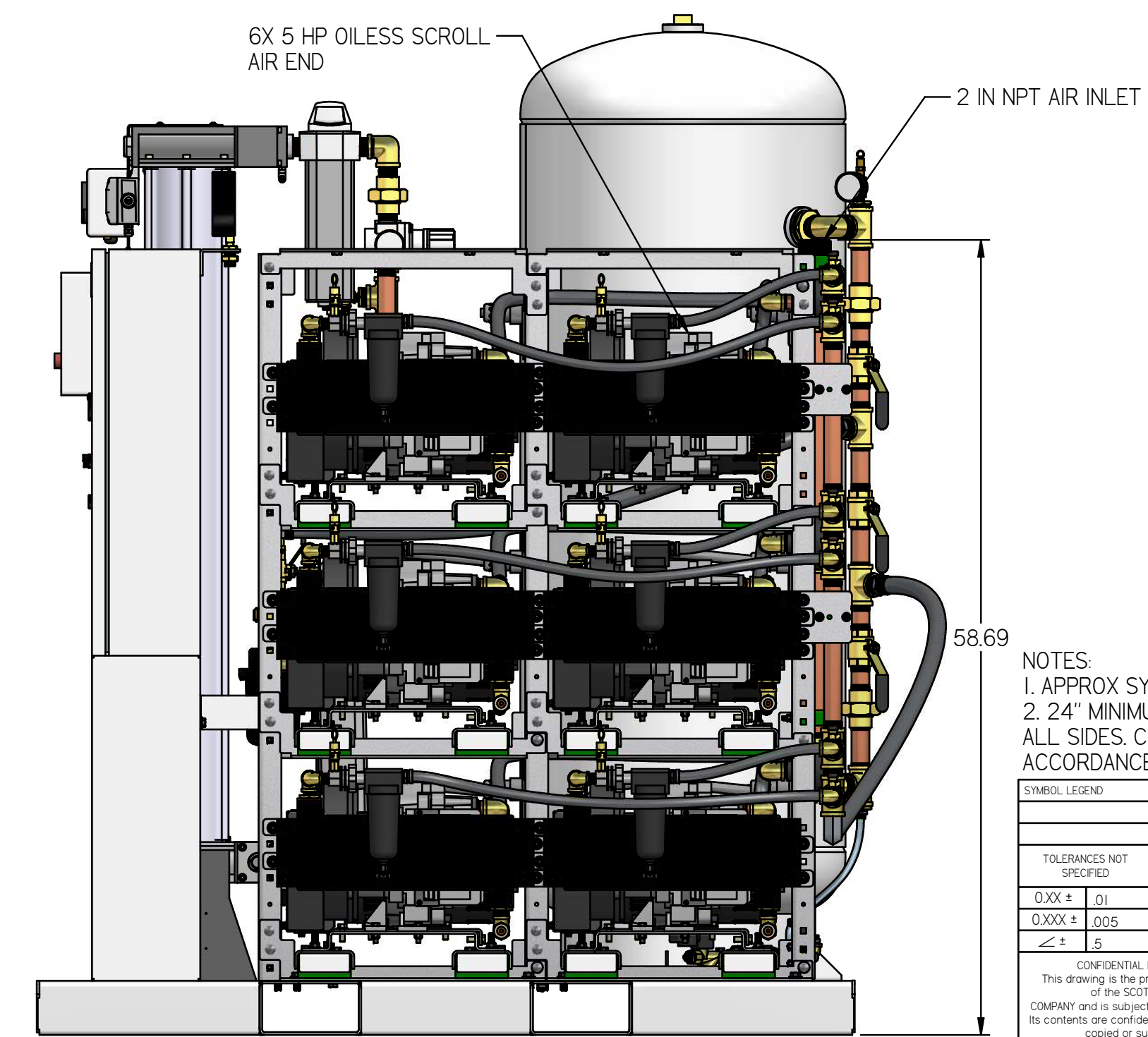


LEFT VIEW

2X DESICCANT DRYER WITH DEWPOINT MONITOR, CARBON MONOXIDE MONITOR, PREFILTER, AFTER FILTER, & OPTIONAL CHARCOAL FILTER



FRONT VIEW



RIGHT VIEW

- NOTES:
- APPROX SYSTEM WEIGHT: 2994 LB
 - 24" MINIMUM MAINTENANCE CLEARANCE RECOMMENDED ALL SIDES. CLEARANCE FOR CONTROL PANEL SHALL BE IN ACCORDANCE WITH OSHA/NEC REQUIREMENTS

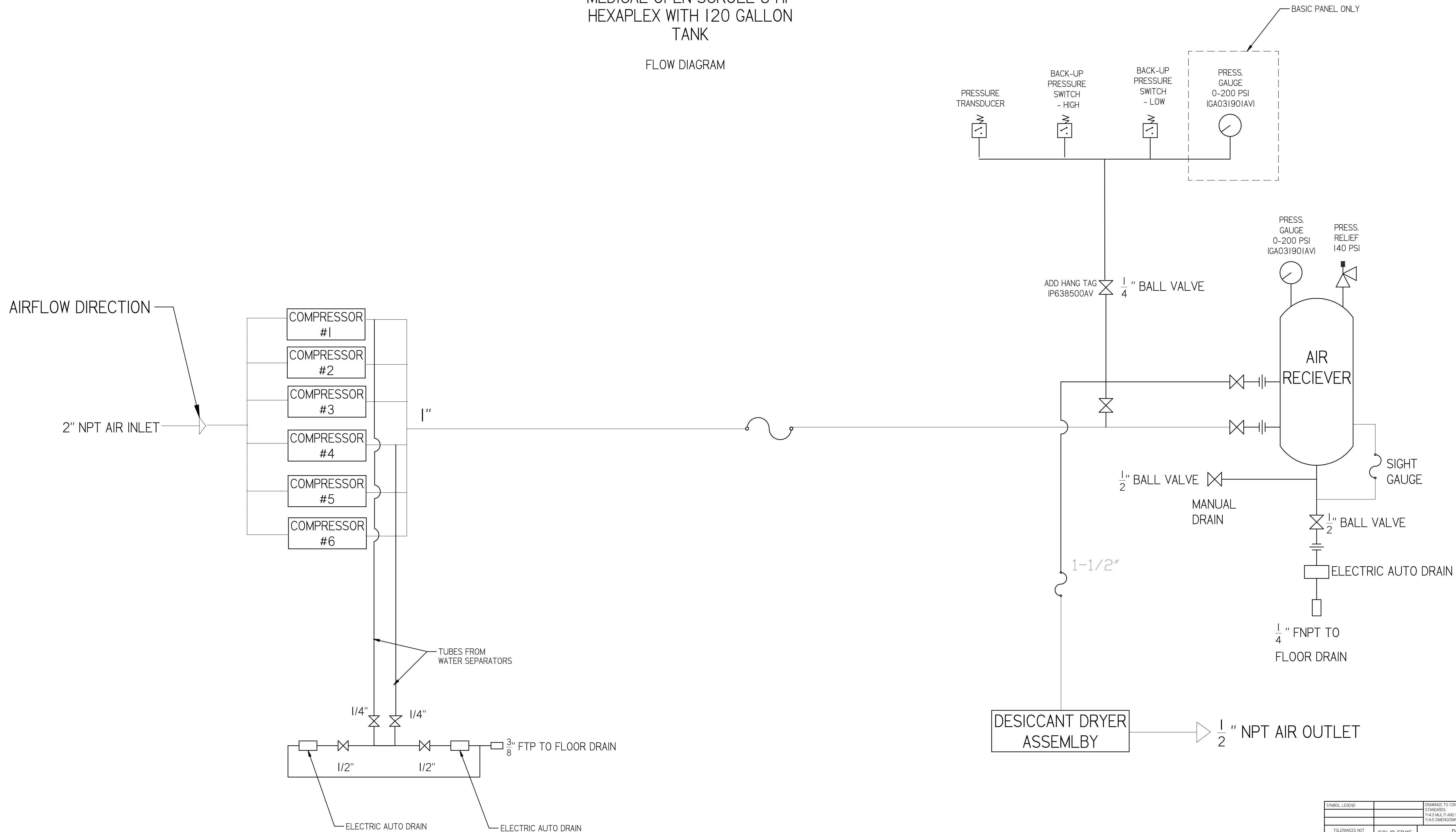
SYMBOL LEGEND		DRAWINGS TO CONFORM TO CURRENT REVISION OF THE FOLLOWING ANSI STANDARDS:	
TOLERANCES NOT SPECIFIED	SOLID EDGE DRAWING	1:4:3 MULTI AND SECTIONAL VIEW DIMS	1:4:3 DIMENSIONING AND TOLERANCING
0.XXX ± .01	DO NOT SCALE DRAWING FOR DIMENSIONS	SHEET 2 OF 5	SCALE 1:10
0.XXX ± .005			
± .5	INCH	APPROVALS ON FILE IN PLM	
<small>CONFIDENTIAL DISCLOSURE: This drawing is the property of POWEREX of the SCOTT FETTER COMPANY and is subject to return on demand. Its contents are confidential and must not be copied or submitted to outside parties for use or examination.</small>		A Soulek	10/2/2018
FIGURE: 716294			
MATERIAL: SEE PART DRAWINGS			
DESCRIPTION: MEDICAL OPEN SCROLL 5 HP HEXAPLEX WITH 120 GALLON TANK	DRAWING NUMBER: MSH05A4	REVISION: A	SIZE: D

MSH05A4

MEDICAL OPEN SCROLL 5 HP
HEXAPLEX WITH 120 GALLON
TANK

FLOW DIAGRAM

REVISION NOTES		
DESCRIPTION	ECN	PR/NOR
PRODUCTION RELEASE	PXECO169	N/A

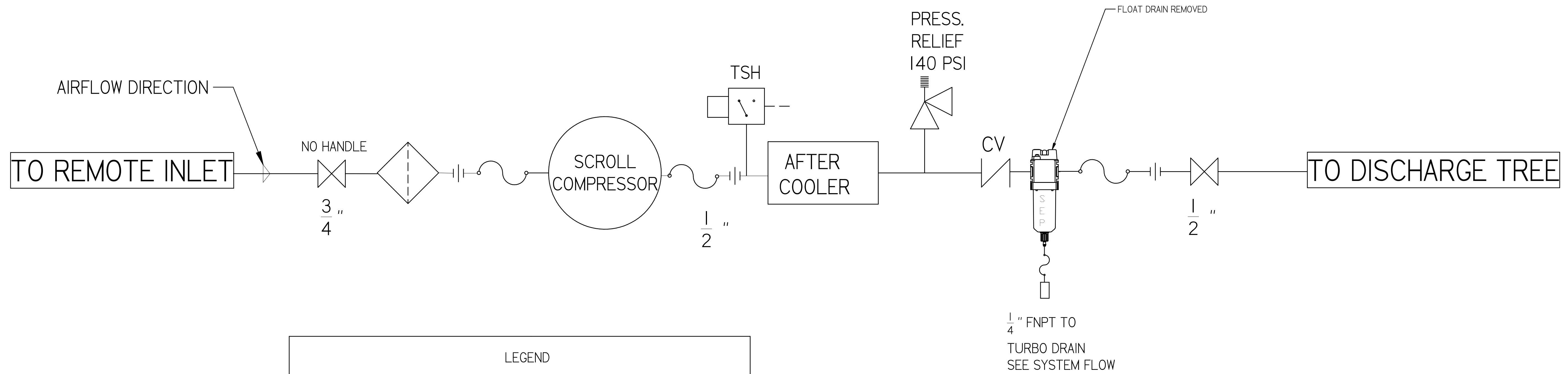


SYMBOL LEGEND		DRAWINGS TO CONFORM TO CURRENT REVISION OF THE FOLLOWING ANSI STANDARDS: Y14.3 MULTI AND SECTIONAL VIEW DIMS Y14.5 DIMENSIONING AND TOLERANCING	
TOLERANCES NOT SPECIFIED	SOLID EDGE DRAWING	DO NOT SCALE DRAWING FOR DIMENSIONS	
0.XXX ± .01	INCH	SHEET 3 OF 5	SCALE 1:1
0.XXX ± .005			
CONFIDENTIAL DISCLOSURE This drawing is the property of POWERLEX of the SCOTT FETTER COMPANY and is subject to return on demand. Its contents are confidential and must not be copied or submitted to outside parties for use or examination.		AUTHOR	APPROVALS ON FILE IN PLM
ITEM NO: 716294		ASoulek	10/2/2018
MATERIAL: SEE PART DRAWINGS		 150 PRODUCTION DRIVE, HARRISON OH 45030 888-768-7079	
DESCRIPTION: MEDICAL OPEN SCROLL 5 HP HEXAPLEX WITH 120 GALLON TANK			
DRAWING NUMBER: MSH05A4		REVISION: A	SIZE: D

REVISION NOTES		
DESCRIPTION	ECN	PR/NOR
PRODUCTION RELEASE	PXECO169	N/A

MSH05A4

MEDICAL OPEN SCROLL 5 HP
HEXAPLEX WITH 120 GALLON
TANK
MEDICAL COMPRESSOR
FLOW DIAGRAM



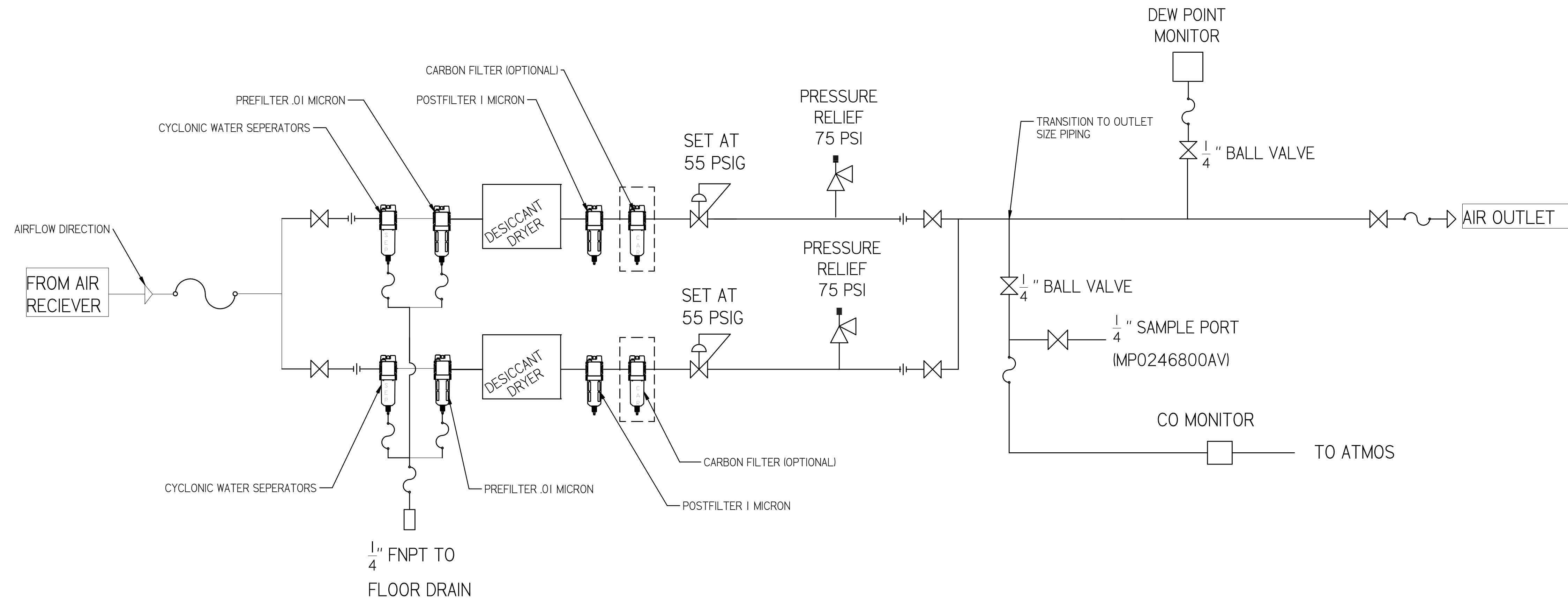
LEGEND	
	RELIEF VALVE
	INTAKE FILTER
	AIR FILTER
	3 WAY VALVE
	CARBON FILTER
	BALL VALVE
	PRESSURE SWITCH
	REGULATOR
	SEPARATOR
	CHECK VALVE
	FLEX LINE
	TSH HIGH TEMP SWITCH

SYMBOL LEGEND		DRAWINGS TO CONFORM TO CURRENT REVISION OF THE FOLLOWING ANSI STANDARDS:		
TOLERANCES NOT SPECIFIED:		Y14.3 MULTI AND SECTIONAL VIEW DIMS		
0.XXX ± .01	SOLID EDGE DRAWING	DO NOT SCALE DRAWING FOR DIMENSIONS		
0.XXX ± .005		SHEET 4 OF 5	SCALE	1:1
$\frac{1}{16}$	INCH			
<small>CONFIDENTIAL DISCLOSURE</small> This drawing is the property of POWEREX of the SCOTT FETTER COMPANY and is subject to return on demand. Its contents are confidential and must not be copied or submitted to outside parties for use or examination.		AUTHOR	ORIGINATION DATE	APPROVALS ON FILE IN PLM
ITOM ID: 716294 MATERIAL: SEE PART DRAWINGS		ASoulek	10/2/2018	
DRAWING NUMBER: MSH05A4 REVISION: A SIZE: D		 150 PRODUCTION DRIVE, HARRISON OH 45030 (888) 768-7079		

REVISION NOTES		
DESCRIPTION	ECN	PR/NOR
PRODUCTION RELEASE	PXECO169	N/A

MSH05A4

MEDICAL OPEN SCROLL 5 HP
HEXAPLEX WITH 120 GALLON
TANK
MEDICAL DRYER
FLOW DIAGRAM



PIPE SIZE CHART		
PUMP COUNT	DRYER PLUMBING SIZE	OUTLET PIPE SIZE
2	1/2"	1/2"
3	1/2"	1"
4	1/2"	1"
6	1"	1-1/2"
8	1"	1-1/2"
9	1"	1-1/2"
12	1-1/2"	2"
15	1-1/2"	2"
18	1-1/2"	2"

SYMBOL LEGEND		DRAWINGS TO CONFORM TO CURRENT REVISION OF THE FOLLOWING ANSI STANDARDS: Y14.3 MULTI AND SECTIONAL VIEW DWGS Y14.5 DIMENSIONING AND TOLERANCING	
TOLERANCES NOT SPECIFIED	SOLID EDGE DRAWING	DO NOT SCALE DRAWING FOR DIMENSIONS	
0.XXX ± .01		SHEET 5 OF 5	SCALE 1:1
0.XXX ± .005	INCH	APPROVALS ON FILE IN PLM	
± .5		A Soulek	10/2/2018
<small>CONFIDENTIAL DISCLOSURE</small> This drawing is the property of POWEREX of the SCOTT FETTER COMPANY and is subject to return on demand. Its contents are confidential and must not be copied or submitted to outside parties for use or examination.			
FROM: 716294 MATERIAL: SEE PART DRAWINGS	DRAWING NUMBER: MSH05A4	REVISION: A	SIZE: D
DESCRIPTION: MEDICAL OPEN SCROLL 5 HP HEXAPLEX WITH 120 GALLON TANK		150 PRODUCTION DRIVE, HARRISON OH 45030 (888) 768-7079	

