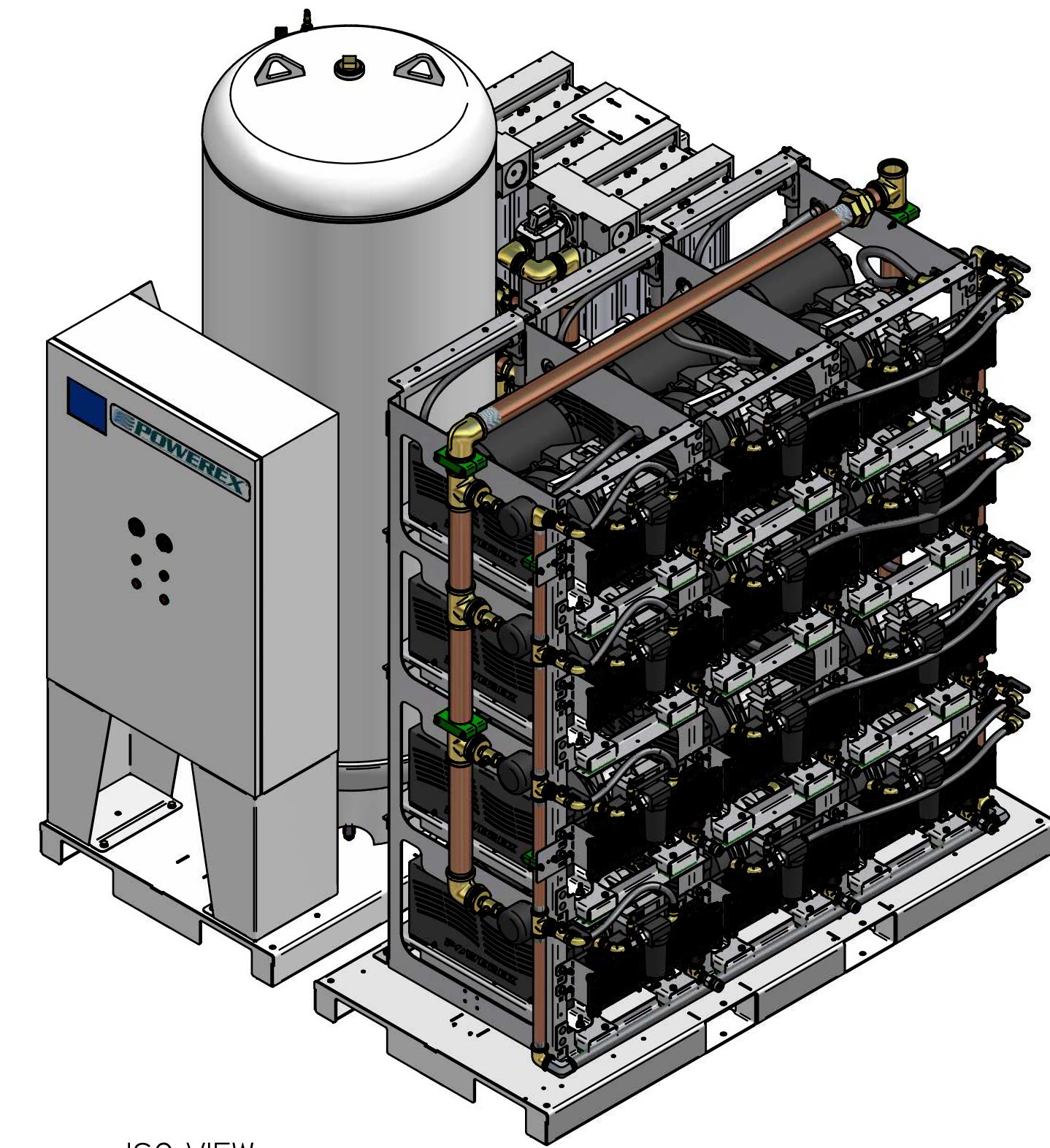
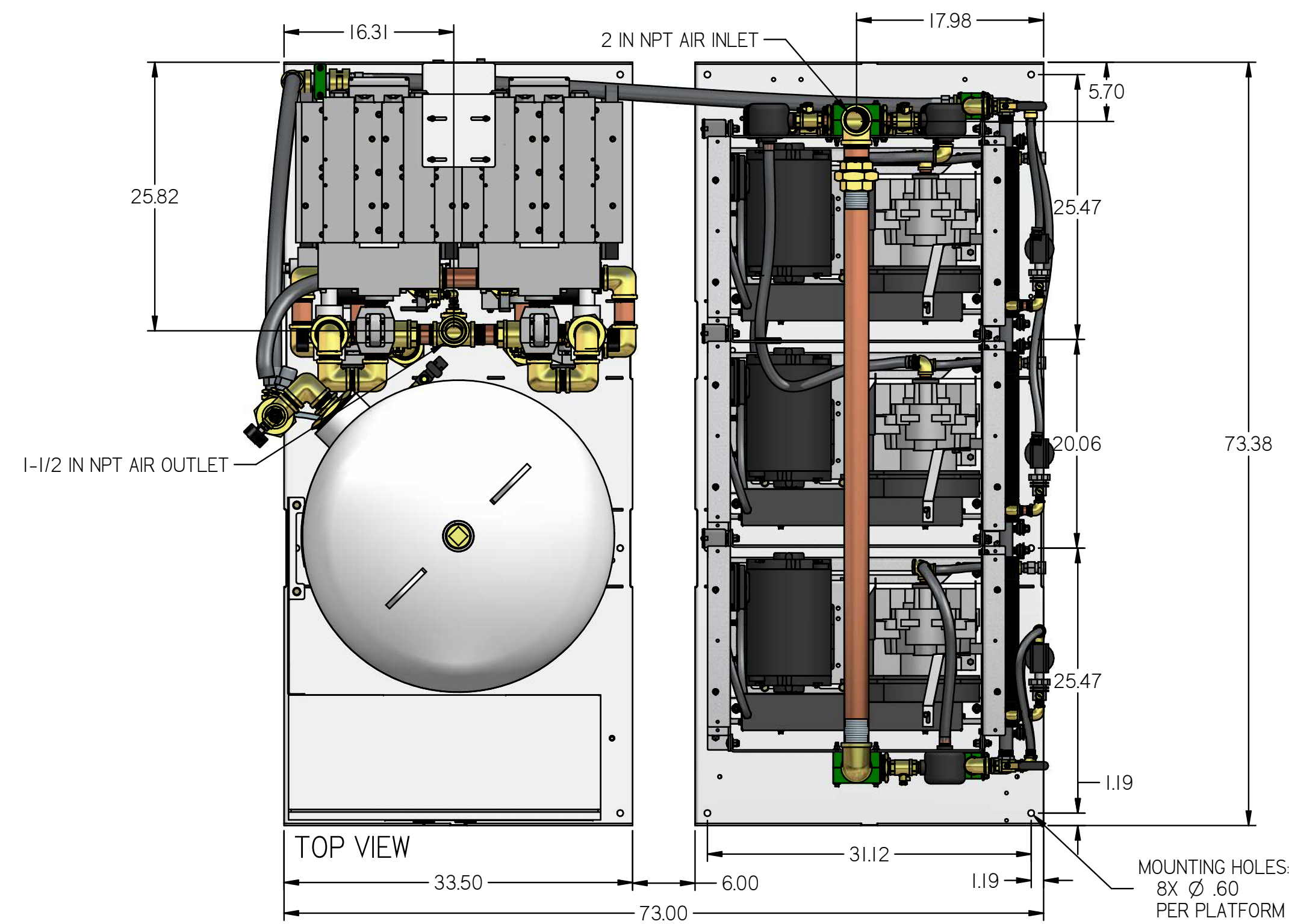


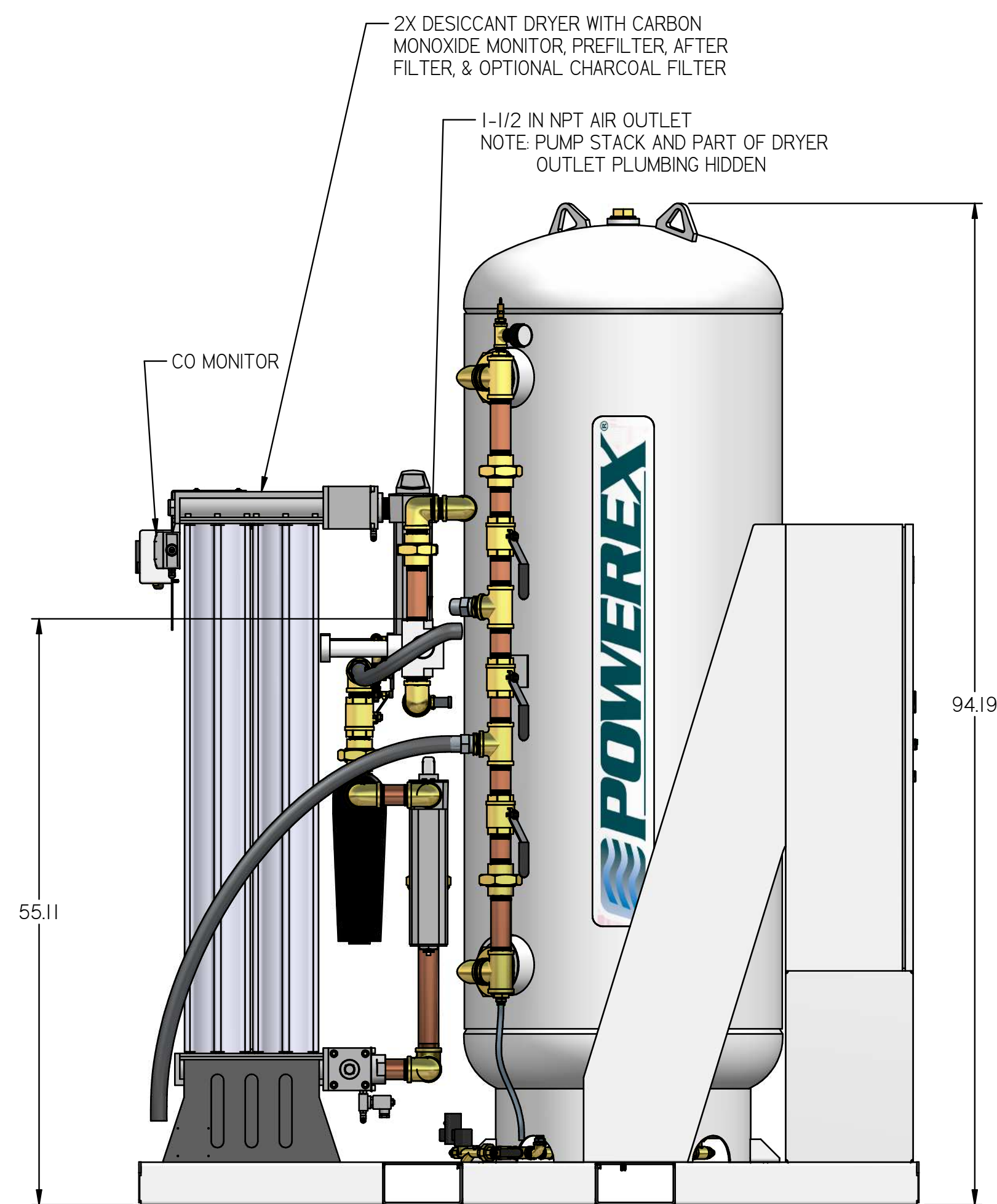
REVISION NOTES		
DESCRIPTION	ECN	PR/NOR
PRODUCTION RELEASE	PXECO169	N/A

# MSH10A6

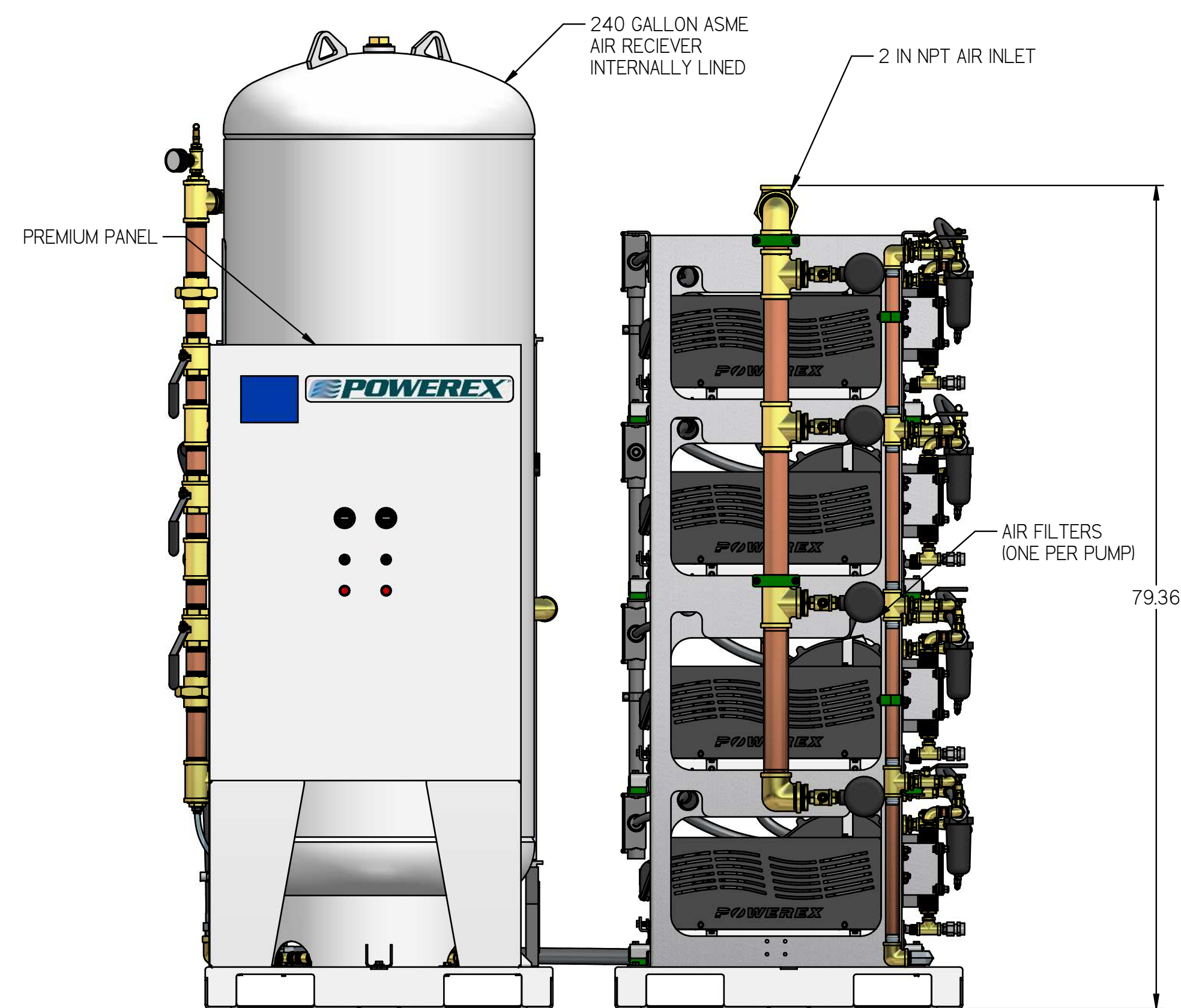
MEDICAL OPEN SCROLL 10  
HP HEXAPLEX WITH 240  
GALLON TANK  
PREMIUM PANEL



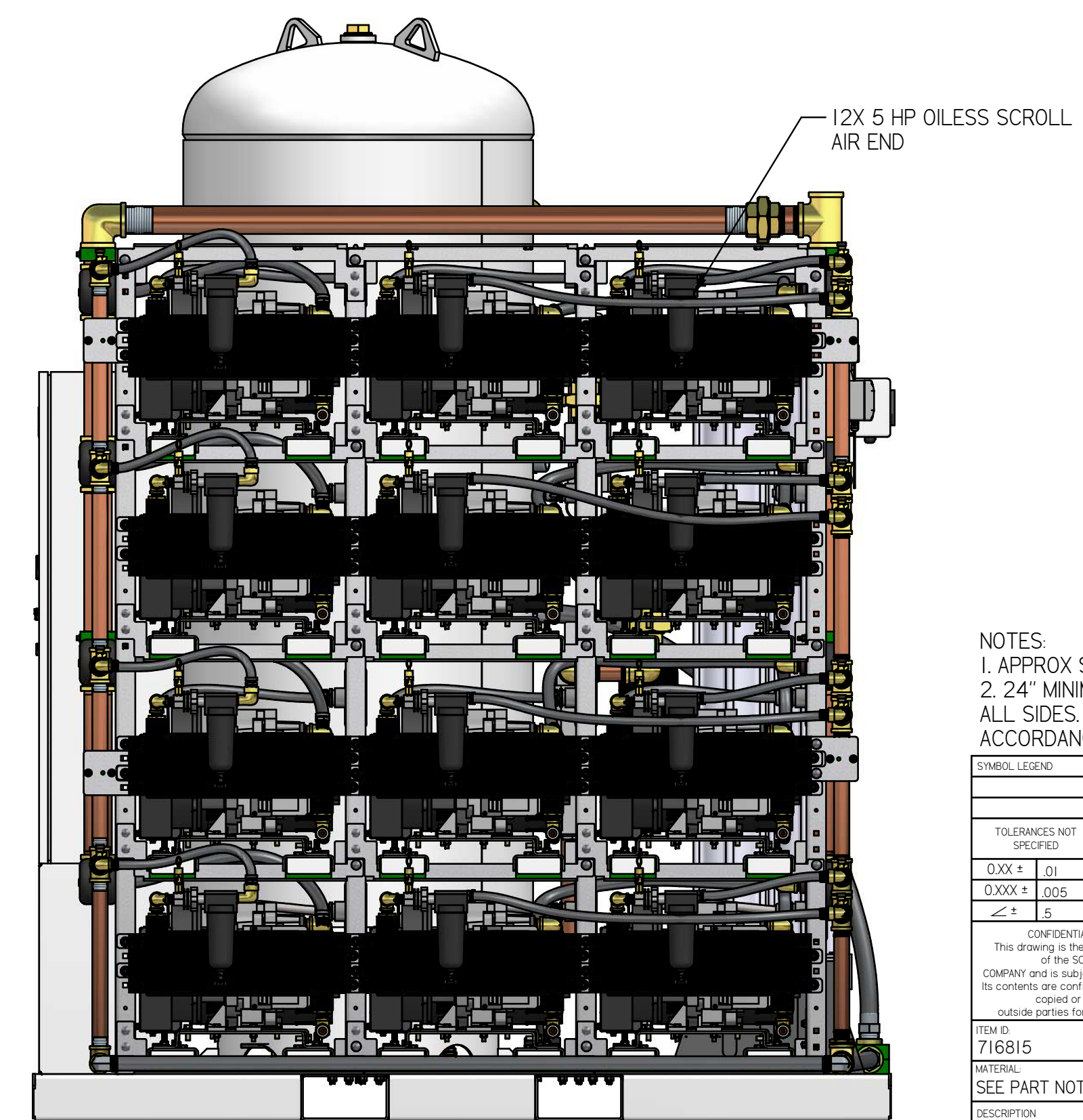
ISO VIEW



LEFT VIEW



FRONT VIEW



RIGHT VIEW

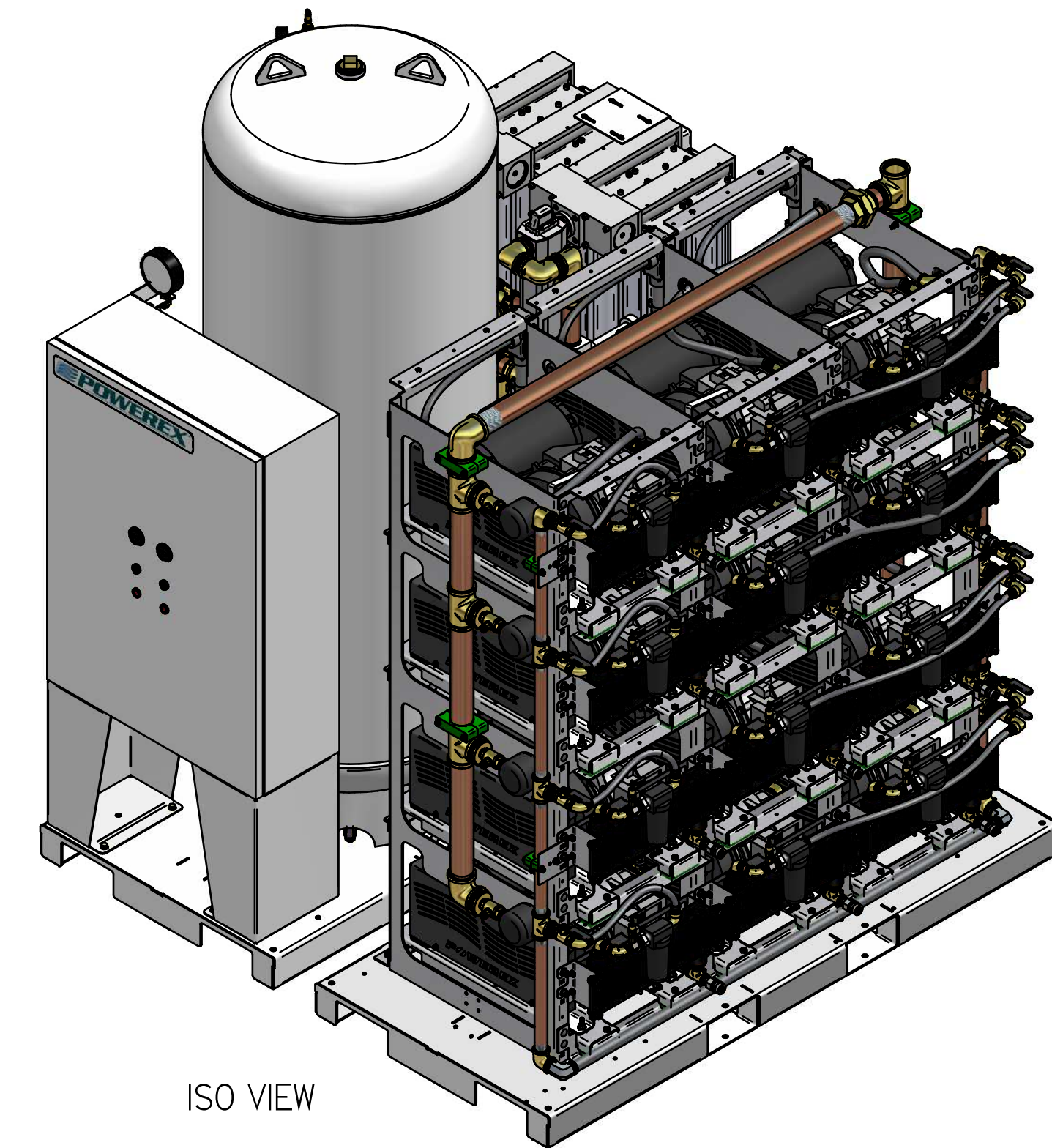
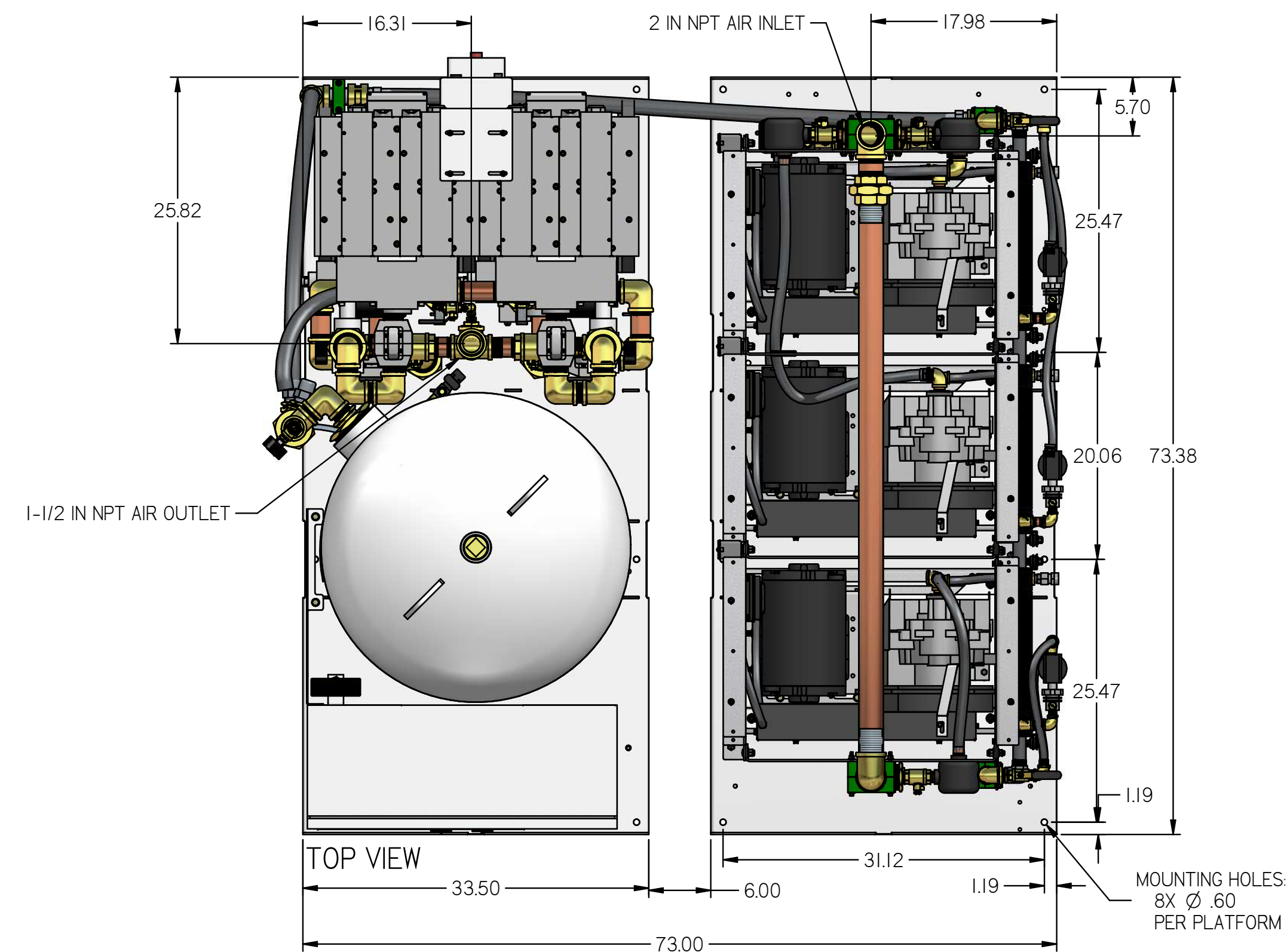
- NOTES:  
1. APPROX SYSTEM WEIGHT: 5679 LB  
2. 24" MINIMUM MAINTENANCE CLEARANCE RECOMMENDED ALL SIDES. CLEARANCE FOR CONTROL PANEL SHALL BE IN ACCORDANCE WITH OSHA/NEC REQUIREMENTS

SYMBOL LEGEND		DRAWINGS TO CONFORM TO CURRENT REVISION OF THE FOLLOWING ANSI STANDARDS:		
TOLERANCES NOT SPECIFIED	SOLID EDGE DRAWING	DO NOT SCALE DRAWING FOR DIMENSIONS		
0.XXX ± .01	INCH	SHEET 1 OF 5	SCALE	1:1 (1:1)
0.XXX ± .005				
CONFIDENTIAL DISCLOSURE: This drawing is the property of POWEREX of the SCOTT FETTER COMPANY and is subject to return on demand. Its contents are confidential and must not be copied or submitted to outside parties for use or examination.		AUTHOR	ORIGINATION DATE	APPROVALS ON FILE IN PLM
PART NUMBER: 716815		ASoulek	10/2/2018	
MATERIAL: SEE PART NOTES				
DESCRIPTION: MEDICAL OPEN SCROLL 10 HP HEXAPLEX WITH 240 GALLON TANK		DRAWING NUMBER: MSH10A6	REVISION: A	SIZE: D

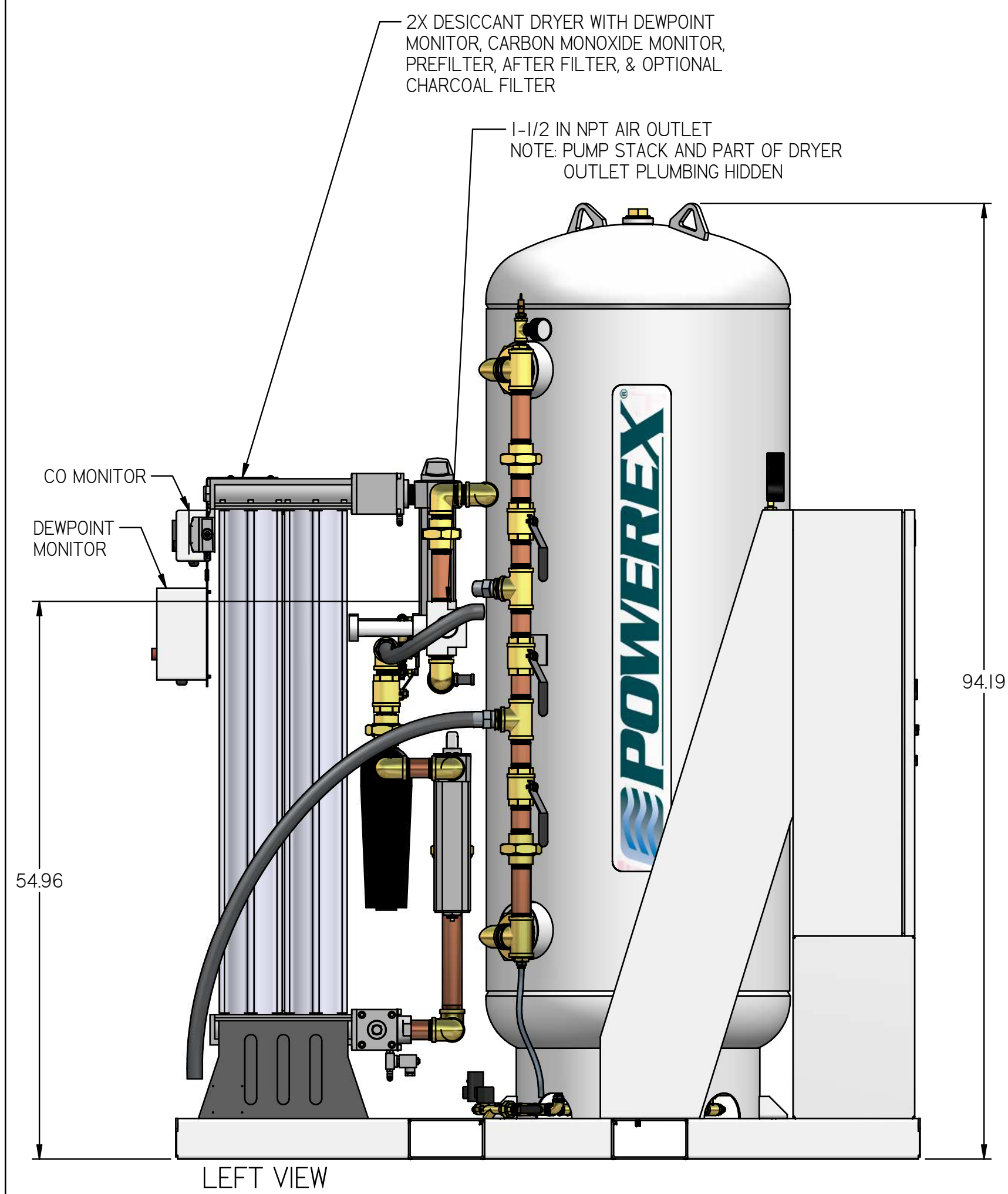
REVISION NOTES		
DESCRIPTION	ECN	PR/NOR
PRODUCTION RELEASE	PXECO169	N/A

# MSH10A6

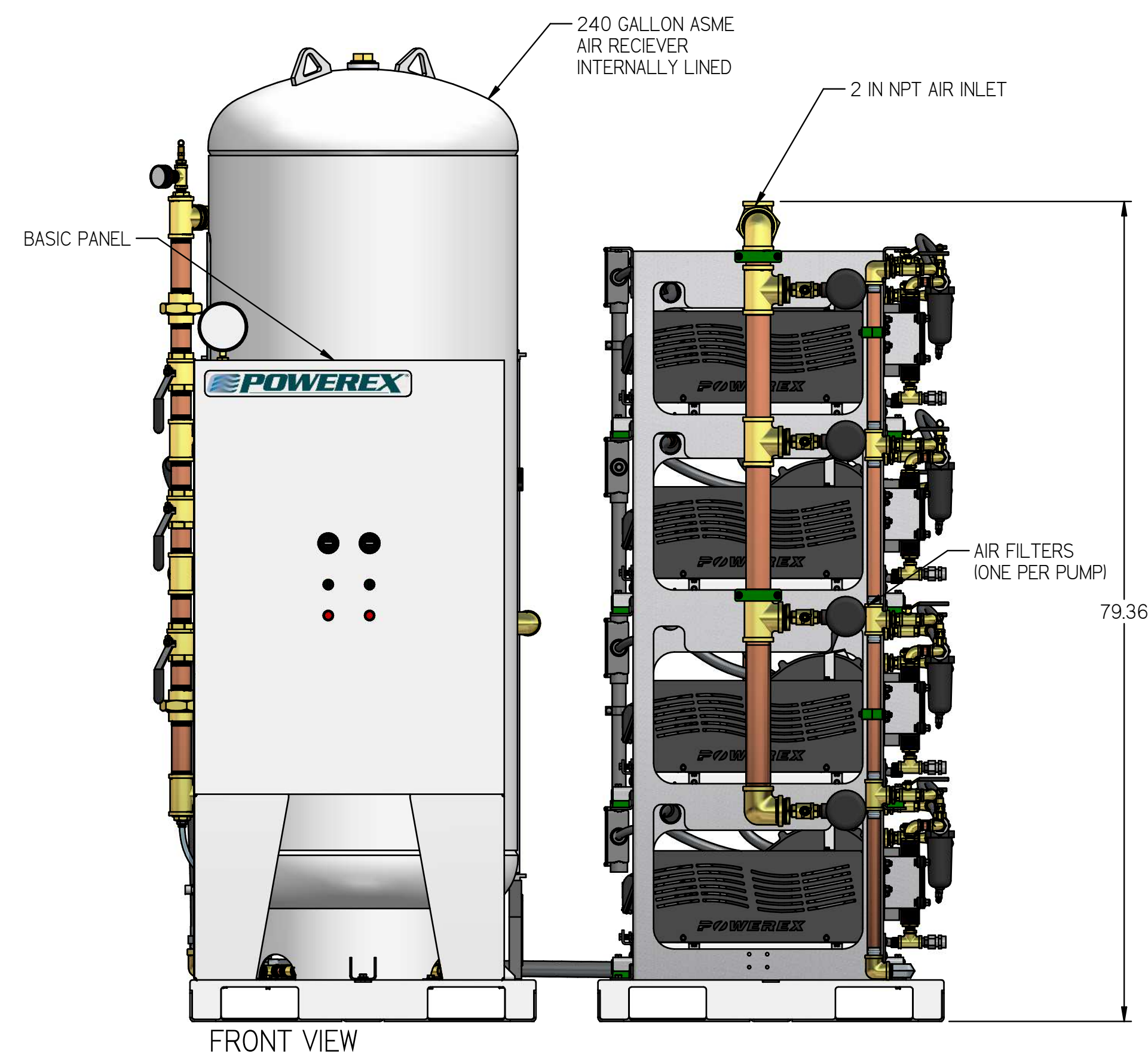
## MEDICAL OPEN SCROLL 10 HP HEXAPLEX WITH 240 GALLON TANK BASIC PANEL



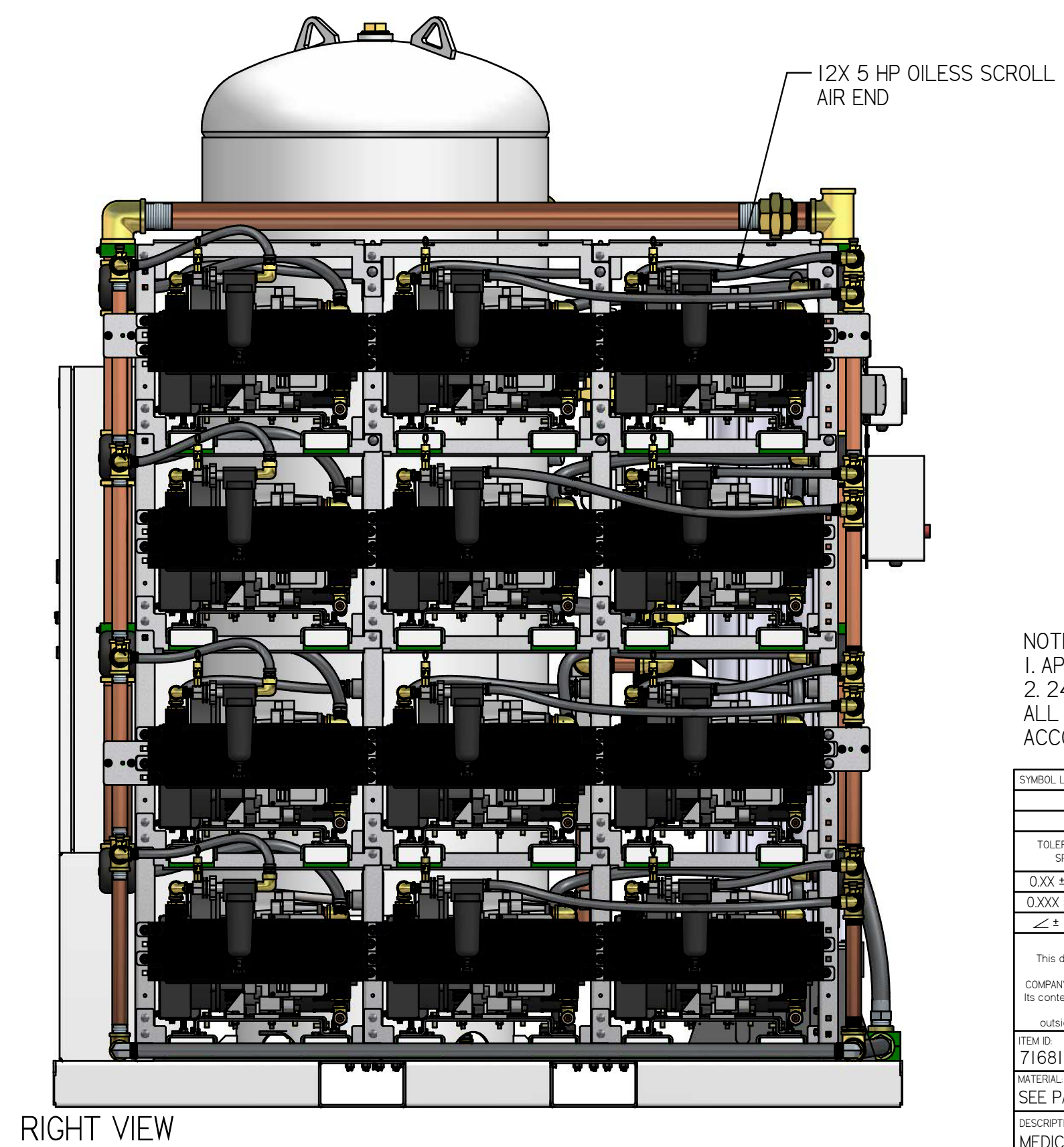
ISO VIEW



LEFT VIEW



FRONT VIEW



RIGHT VIEW

- NOTES:  
 1. APPROX SYSTEM WEIGHT: 5679 LB  
 2. 24" MINIMUM MAINTENANCE CLEARANCE RECOMMENDED  
 ALL SIDES. CLEARANCE FOR CONTROL PANEL SHALL BE IN ACCORDANCE WITH OSHA/NEC REQUIREMENTS

SYMBOL LEGEND		DRAWINGS TO CONFORM TO CURRENT REVISION OF THE FOLLOWING ANSI STANDARDS:		
TOLERANCES NOT SPECIFIED	SOLID EDGE DRAWING	DO NOT SCALE DRAWING FOR DIMENSIONS		
0.XXX ± .01	INCH	SHEET 2 OF 5	SCALE	1:1.11
0.XXX ± .005				
<small>CONFIDENTIAL DISCLOSURE</small> This drawing is the property of POWEREX of the SCOTT FETTER COMPANY and is subject to return on demand. Its contents are confidential and must not be copied or submitted to outside parties for use or examination.		AUTHOR	ORIGINATION DATE	APPROVALS ON FILE IN PLM
TITLE: 716815 MATERIAL: SEE PART NOTES		ASoulek	10/2/2018	
DESCRIPTION: MEDICAL OPEN SCROLL 10 HP HEXAPLEX WITH 240 GALLON TANK		DRAWING NUMBER: MSH10A6	REVISION: A	SIZE: D

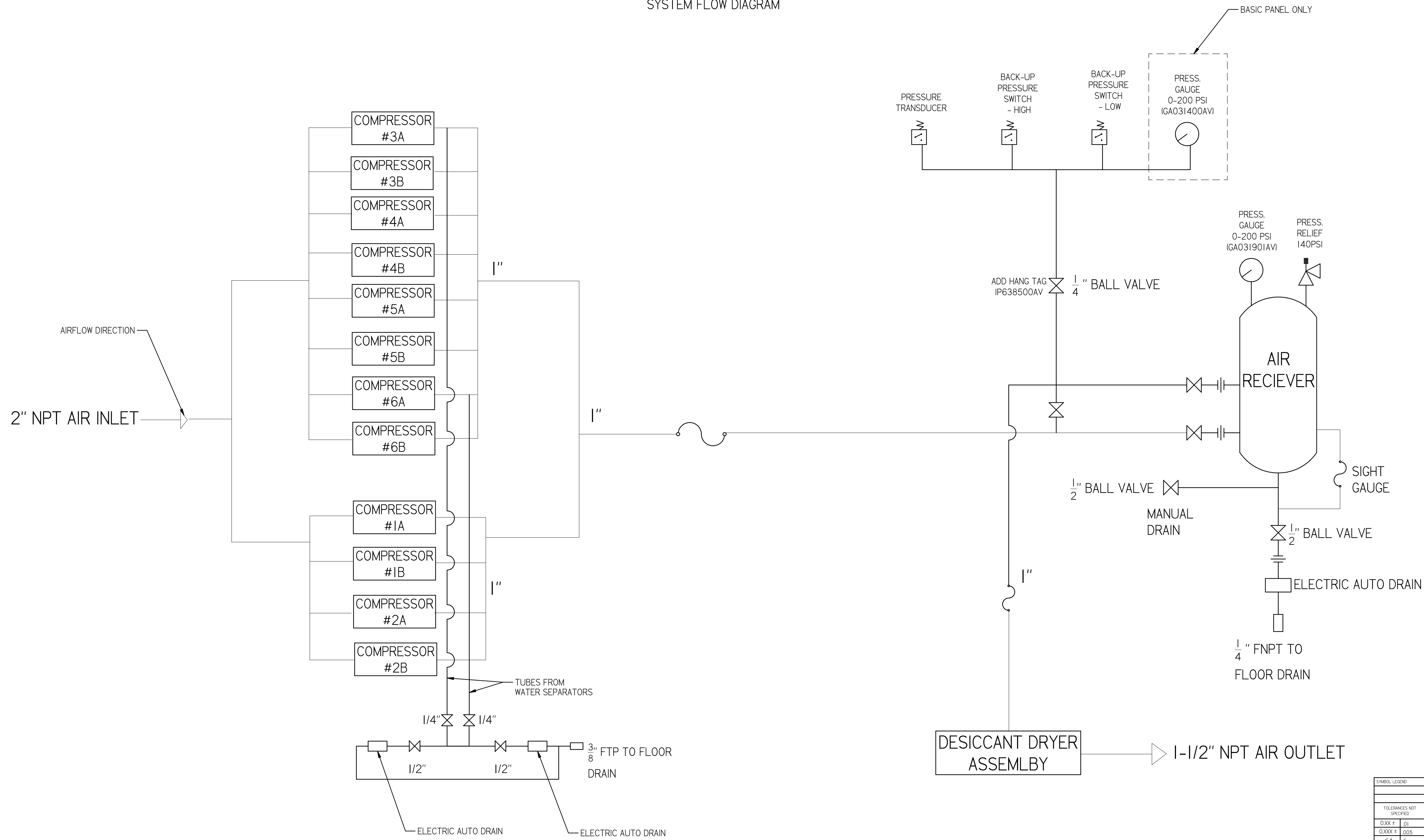


REVISION NOTES		
DESCRIPTION	ECN	PR/NOR
PRODUCTION RELEASE	PXECO169	N/A

# MSH10A6

MEDICAL OPEN SCROLL 10  
HP HEXAPLEX WITH 240  
GALLON TANK

SYSTEM FLOW DIAGRAM

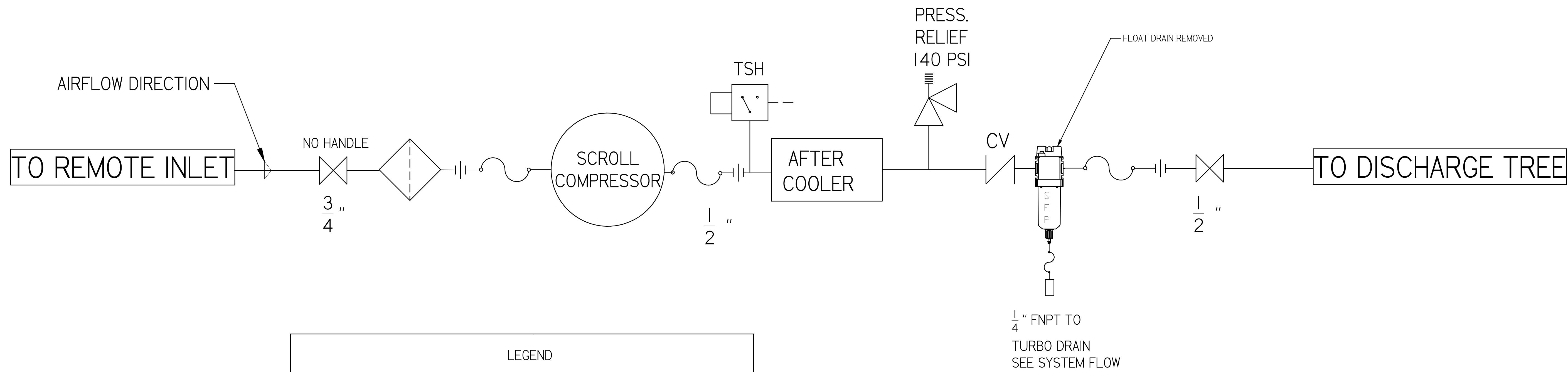


SYMBOL LEGEND		DRAWINGS TO CONFORM TO CURRENT REVISION OF THE FOLLOWING ANSI STANDARDS:	
		Y14.3 MULTI AND SECTIONAL VIEW DIMS	
		Y14.5 DIMENSIONING AND TOLERANCING	
TOLERANCES NOT SPECIFIED	SOLID EDGE DRAWING	DO NOT SCALE DRAWING FOR DIMENSIONS	
0.001 ± .001		SHEET 3 OF 5	SCALE 1:1
0.005 ± .005	INCH		
CONFIDENTIAL DISCLOSURE: This drawing is the property of POWEREX or the SCOTT FETTER COMPANY and is subject to return on demand. Its contents are confidential and must not be copied or submitted to outside parties for use or examination.		AUTHOR	APPROVALS ON FILE IN PLM
PART NUMBER: 716815		ASoulek	10/2/2018
MATERIAL: SEE PART NOTES			
DESCRIPTION: MEDICAL OPEN SCROLL 10 HP HEXAPLEX WITH 240 GALLON TANK		DRAWING NUMBER: MSH10A6	REVISION: A
			SIZE: D

REVISION NOTES		
DESCRIPTION	ECN	PR/NOR
PRODUCTION RELEASE	PXECO169	N/A

# MSH10A6

MEDICAL OPEN SCROLL 10  
HP HEXAPLEX WITH 240  
GALLON TANK  
MEDICAL COMPRESSOR  
FLOW DIAGRAM



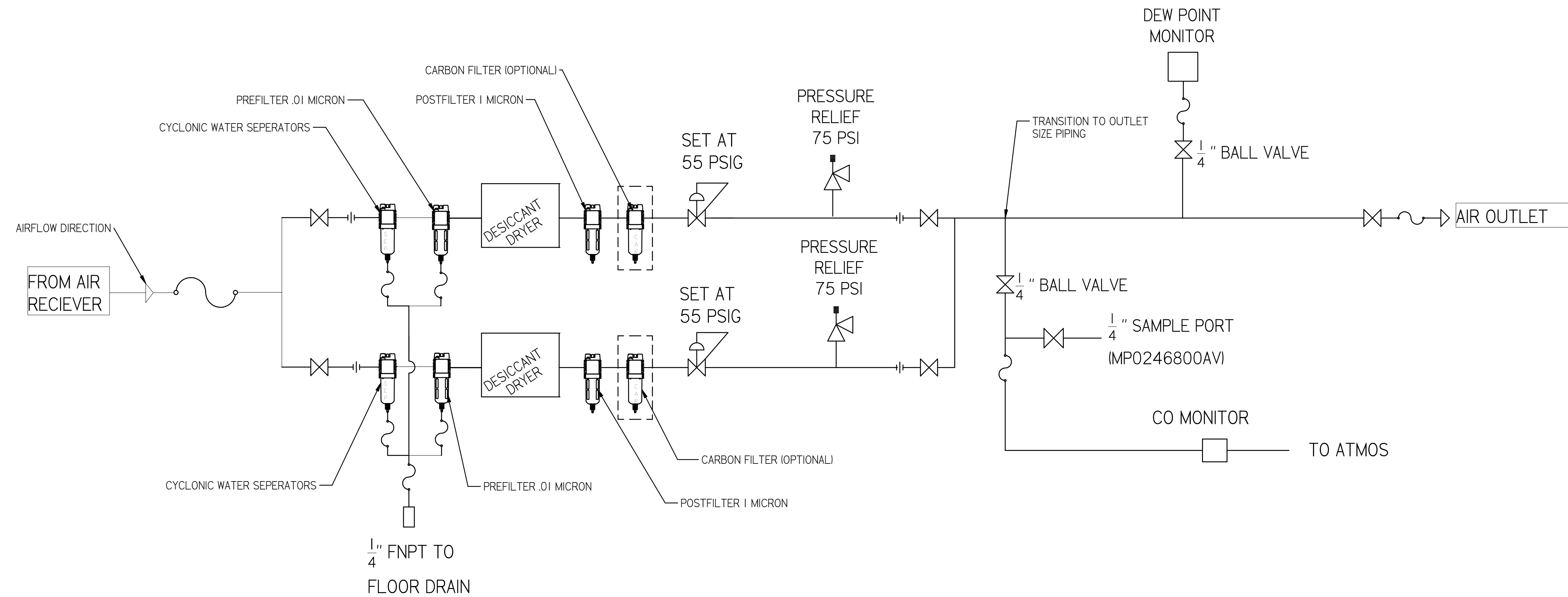
LEGEND	
	RELIEF VALVE
	INTAKE FILTER
	AIR FILTER
	3 WAY VALVE
	CARBON FILTER
	BALL VALVE
	PRESSURE SWITCH
	REGULATOR
	SEPARATOR
	CHECK VALVE
	FLEX LINE
	TSH HIGH TEMP SWITCH

SYMBOL LEGEND		DRAWINGS TO CONFORM TO CURRENT REVISION OF THE FOLLOWING ANSI STANDARDS:	
		Y14.3 MULTI AND SECTIONAL VIEW DIMS Y14.5 DIMENSIONING AND TOLERANCING	
TOLERANCES NOT SPECIFIED	SOLID EDGE DRAWING	DO NOT SCALE DRAWING FOR DIMENSIONS	
0.XXX ± .01		SHEET 4 OF 5	SCALE 1:1
0.XXX ± .005	INCH		
CONFIDENTIAL DISCLOSURE This drawing is the property of POWEREX of the SCOTT FETTER COMPANY and is subject to return on demand. Its contents are confidential and must not be copied or submitted to outside parties for use or examination.		AUTHOR	APPROVALS ON FILE IN PLM
PART NO: 716815		ASoulek	10/2/2018
MATERIAL: SEE PART NOTES			
DESCRIPTION: MEDICAL OPEN SCROLL 10 HP HEXAPLEX WITH 240 GALLON TANK		DRAWING NUMBER: MSH10A6	REVISION: A SIZE: D

REVISION NOTES		
DESCRIPTION	ECN	PR/NOR
PRODUCTION RELEASE	PXECO169	N/A

# MSH10A6

MEDICAL OPEN SCROLL 10  
HP HEXAPLEX WITH 240  
GALLON TANK  
MEDICAL DRYER  
FLOW DIAGRAM



PIPE SIZE CHART		
PUMP COUNT	DRYER PLUMBING SIZE	OUTLET PIPE SIZE
2	1/2"	1/2"
3	1/2"	1"
4	1/2"	1"
6	1"	1-1/2"
8	1"	1-1/2"
9	1"	1-1/2"
12	1-1/2"	2"
15	1-1/2"	2"
18	1-1/2"	2"

SYMBOL LEGEND		DRAWINGS TO CONFORM TO CURRENT REVISION OF THE FOLLOWING ANSI STANDARDS:	
TOLERANCES NOT SPECIFIED:		Y14.3 MULTI AND SECTIONAL VIEW DIMS	
D.XXX ± .01		Y14.5 DIMENSIONING AND TOLERANCING	
D.XXX ± .005		DO NOT SCALE DRAWING FOR DIMENSIONS	
± .5		SHEET 5 OF 5	
INCH		SCALE 1:1	
<small>CONFIDENTIAL DISCLOSURE</small> This drawing is the property of POWEREX or the SCOTT FETTER COMPANY and is subject to return on demand. Its contents are confidential and must not be copied or submitted to outside parties for use or examination.		<small>APPROVALS ON FILE IN PLM</small> AUTHOR: ASoulek ORIGINATION DATE: 10/2/2018	
<small>ITEM #:</small> 716815			
<small>MATERIAL:</small> SEE PART NOTES		<small>150 PRODUCTION DRIVE, HARRISON OH 45030</small> <small>888-768-7079</small>	
<small>DESCRIPTION:</small> MEDICAL OPEN SCROLL 10 HP HEXAPLEX WITH 240 GALLON TANK		<small>DRAWING NUMBER:</small> MSH10A6	
		<small>REVISION:</small> A	
		<small>SIZE:</small> D	

