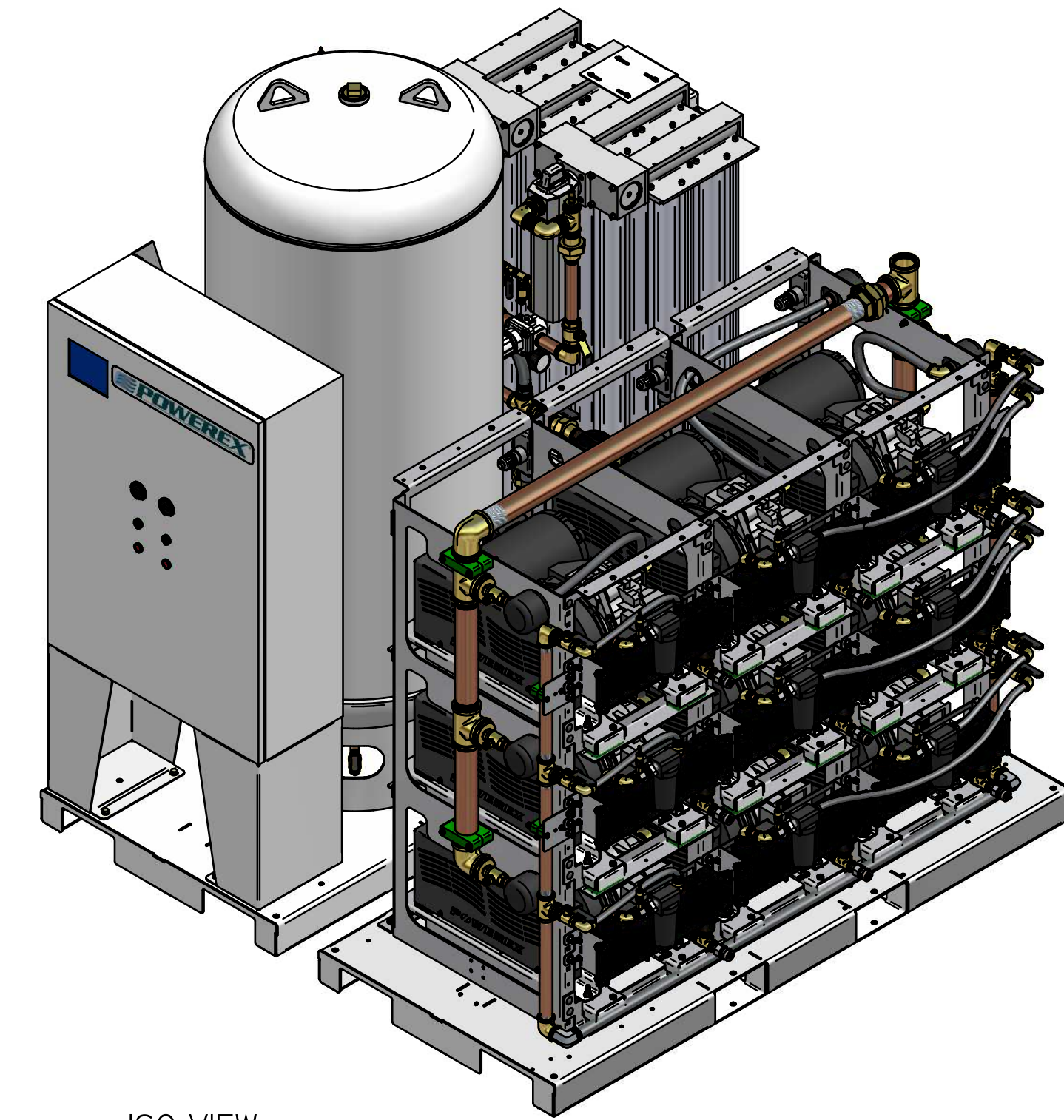
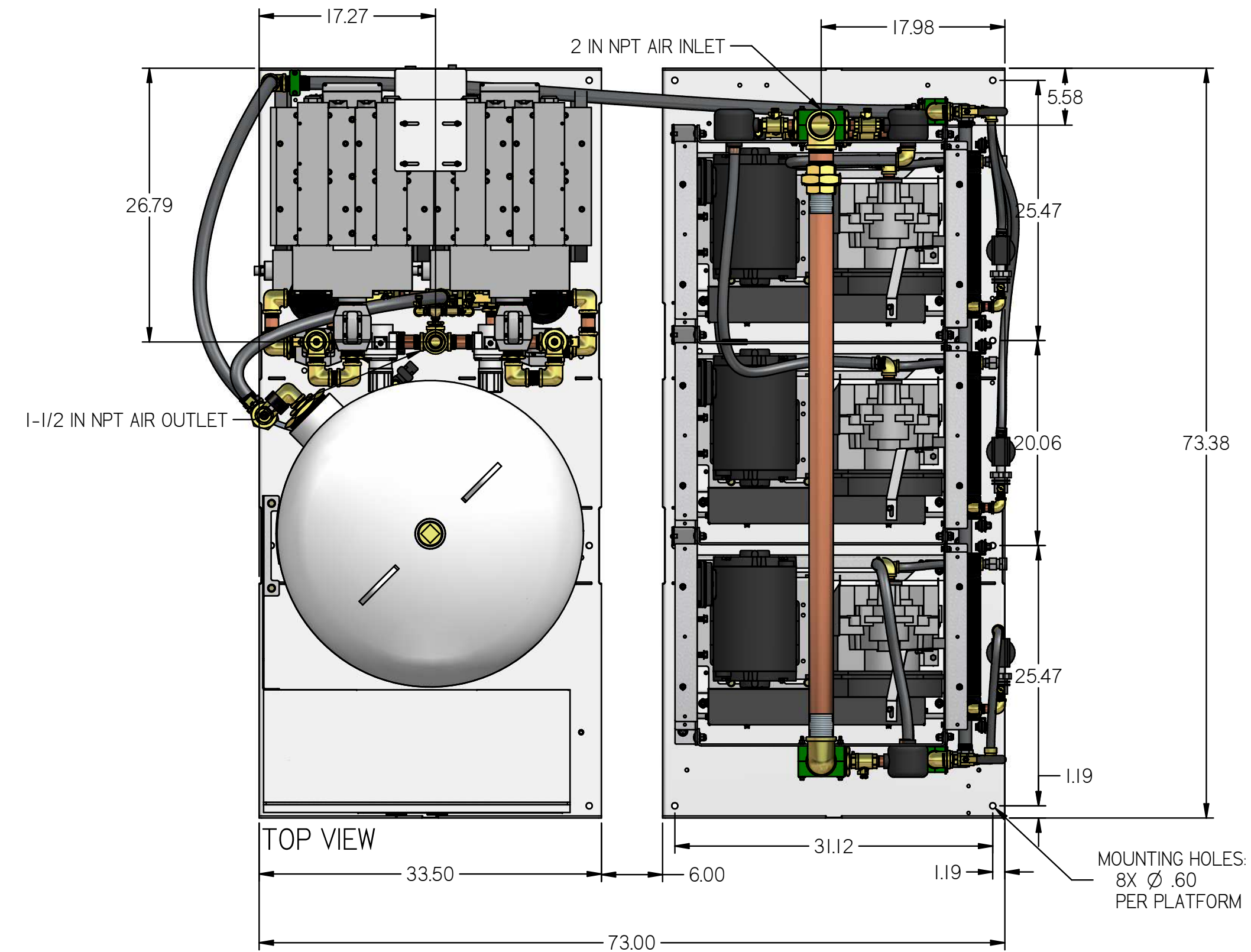


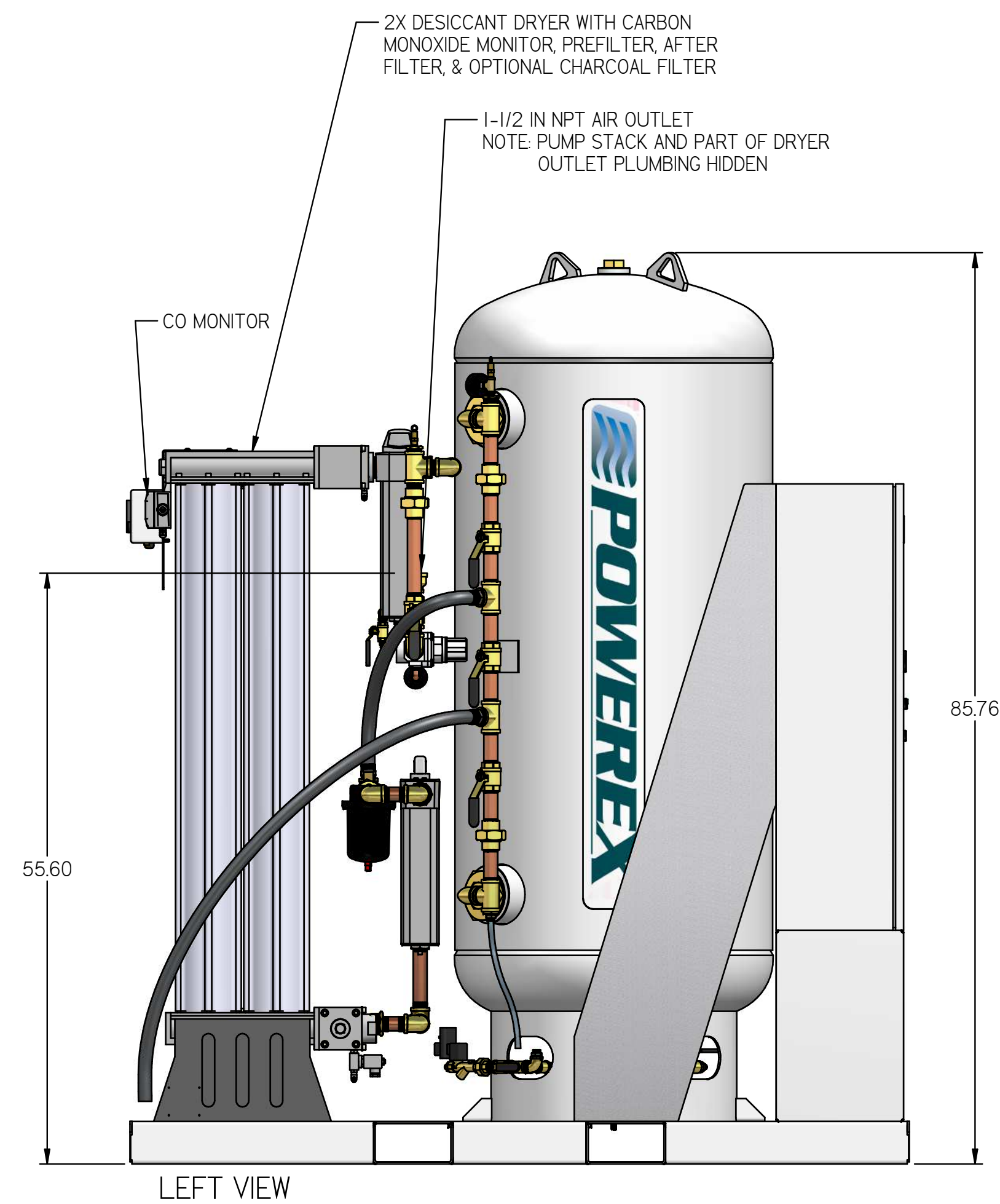
REVISION NOTES		
DESCRIPTION	ECN	PR/NOR
PRODUCTION RELEASE	PXECO169	N/A

MSN05A5

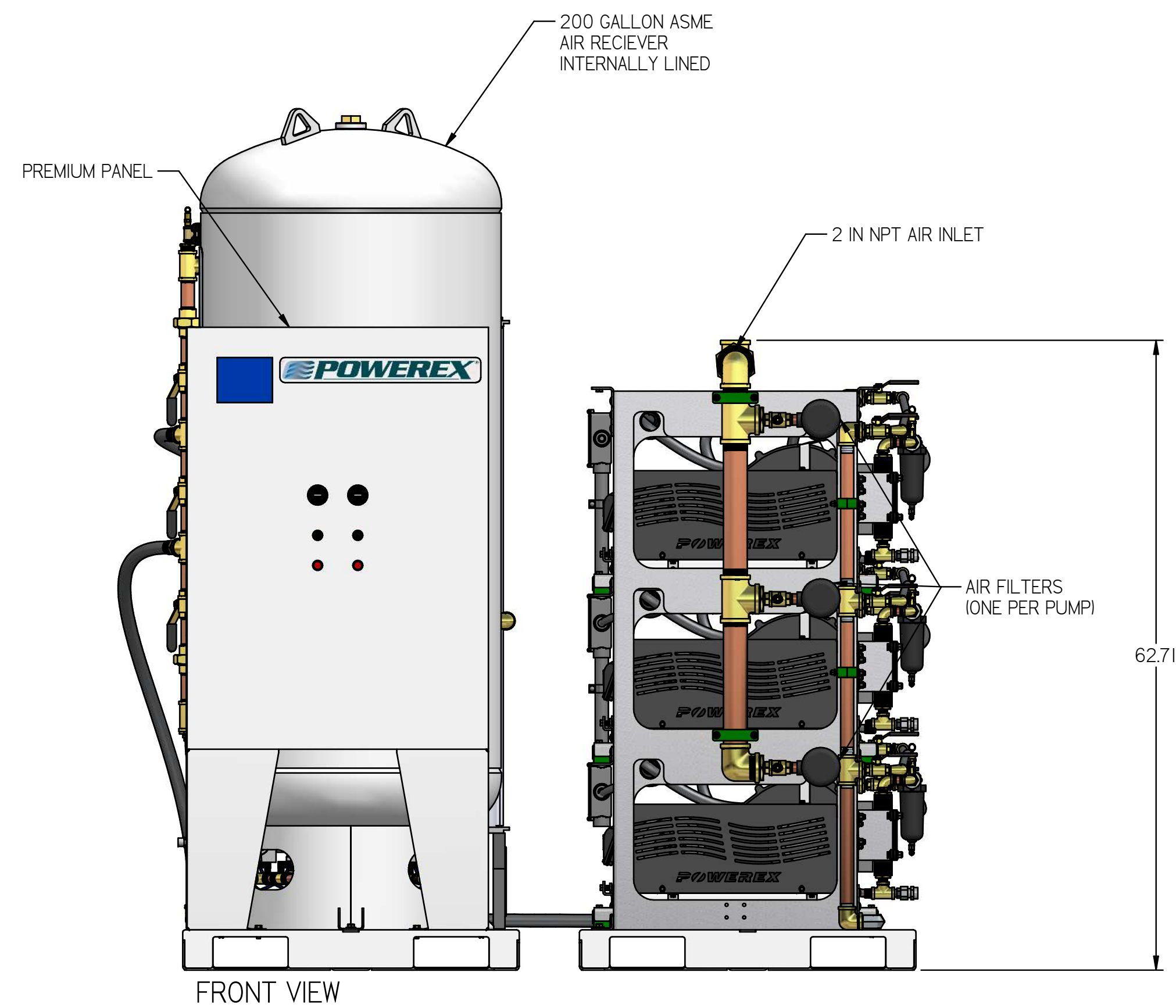
MEDICAL OPEN SCROLL 5 HP
NINE-PLEX WITH 200
GALLON TANK
PREMIUM PANEL



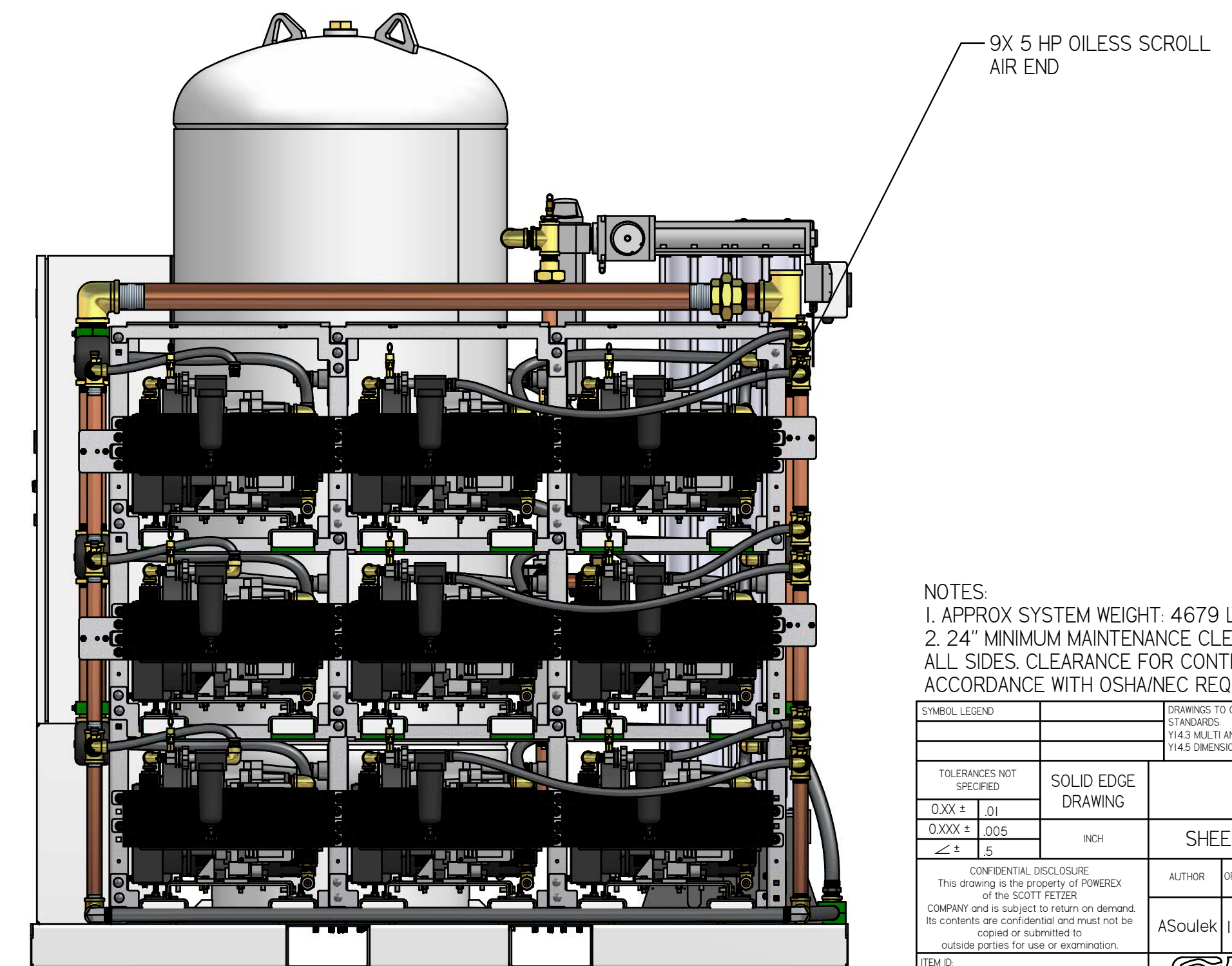
ISO VIEW



LEFT VIEW



FRONT VIEW



RIGHT VIEW

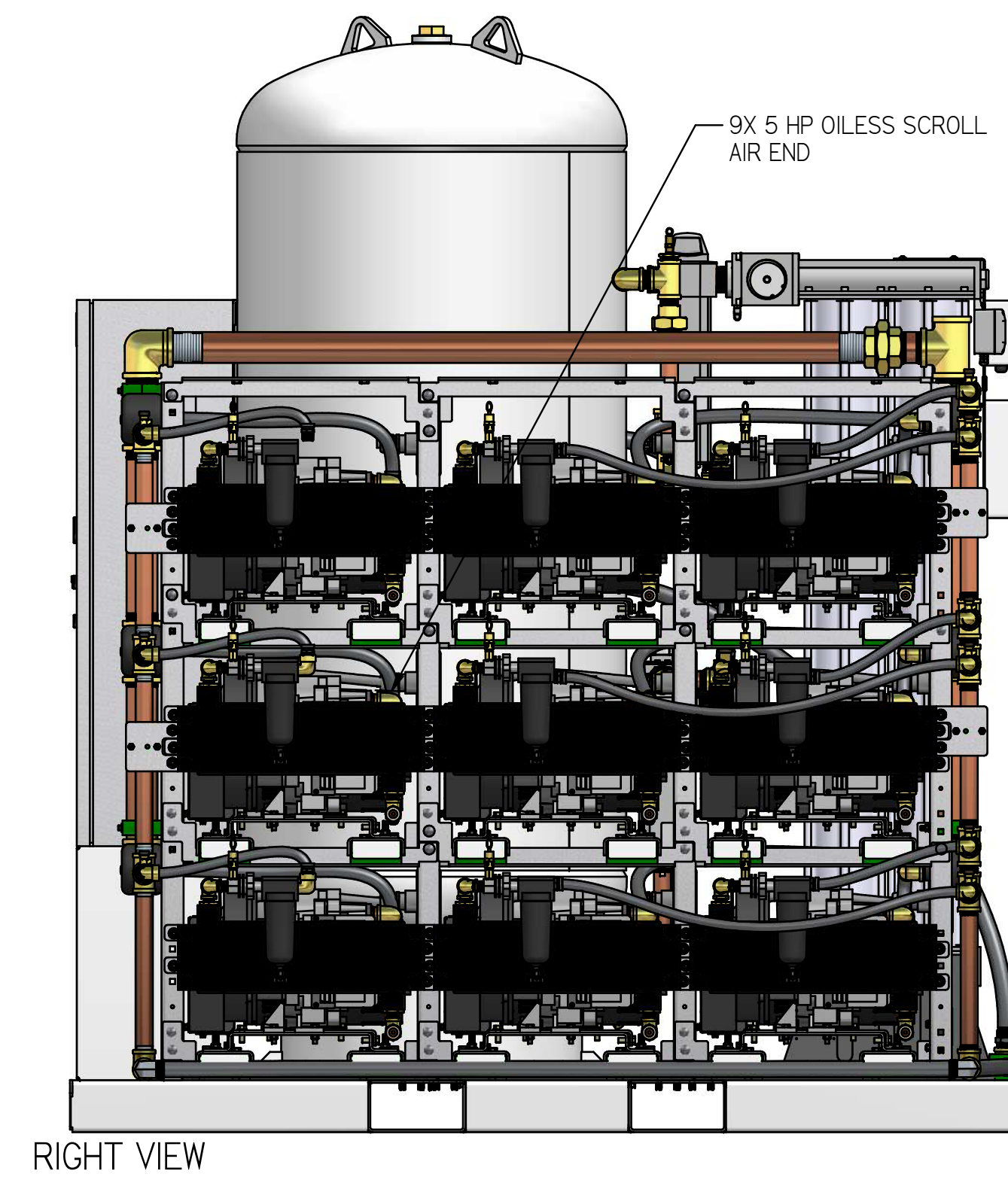
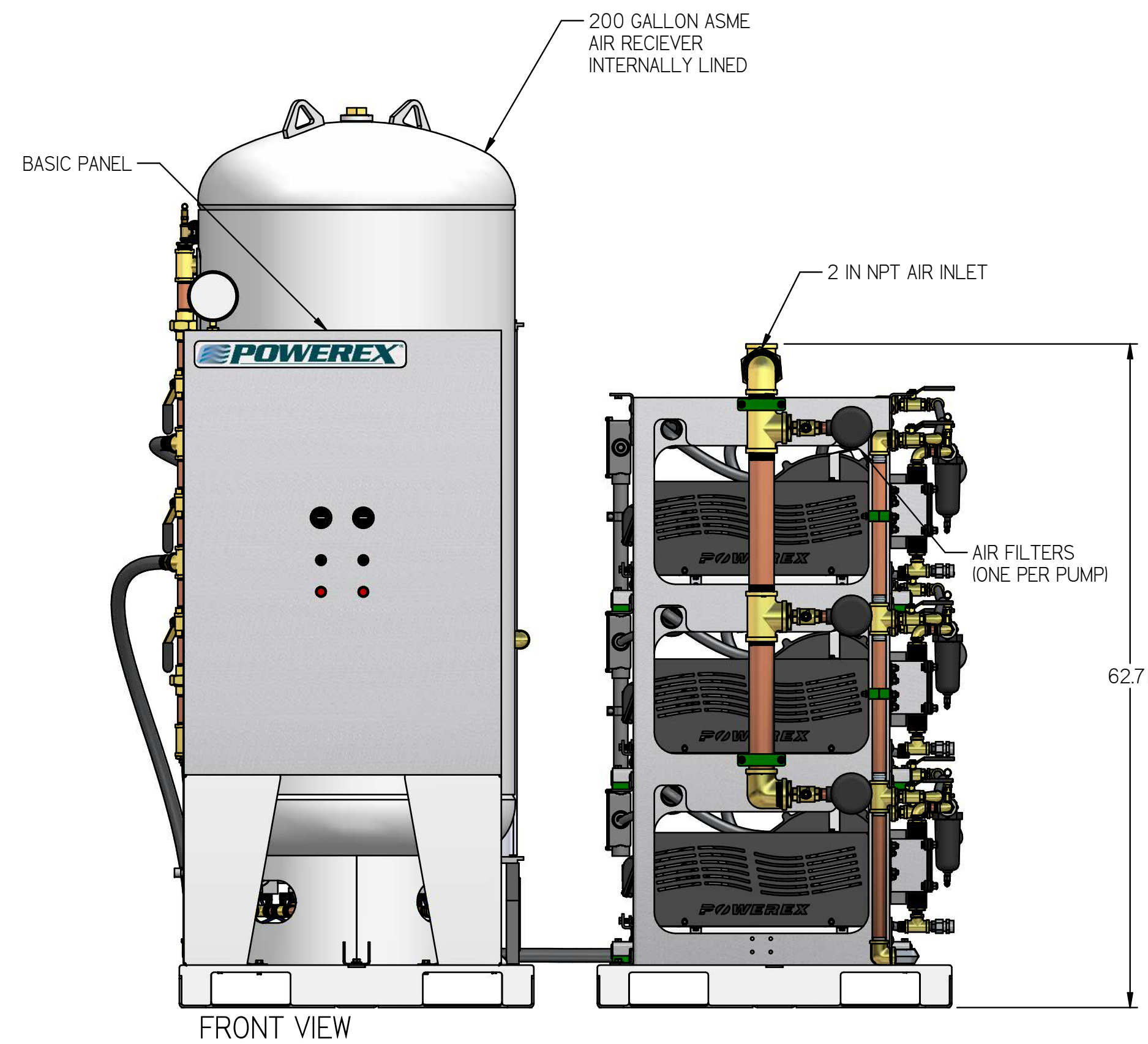
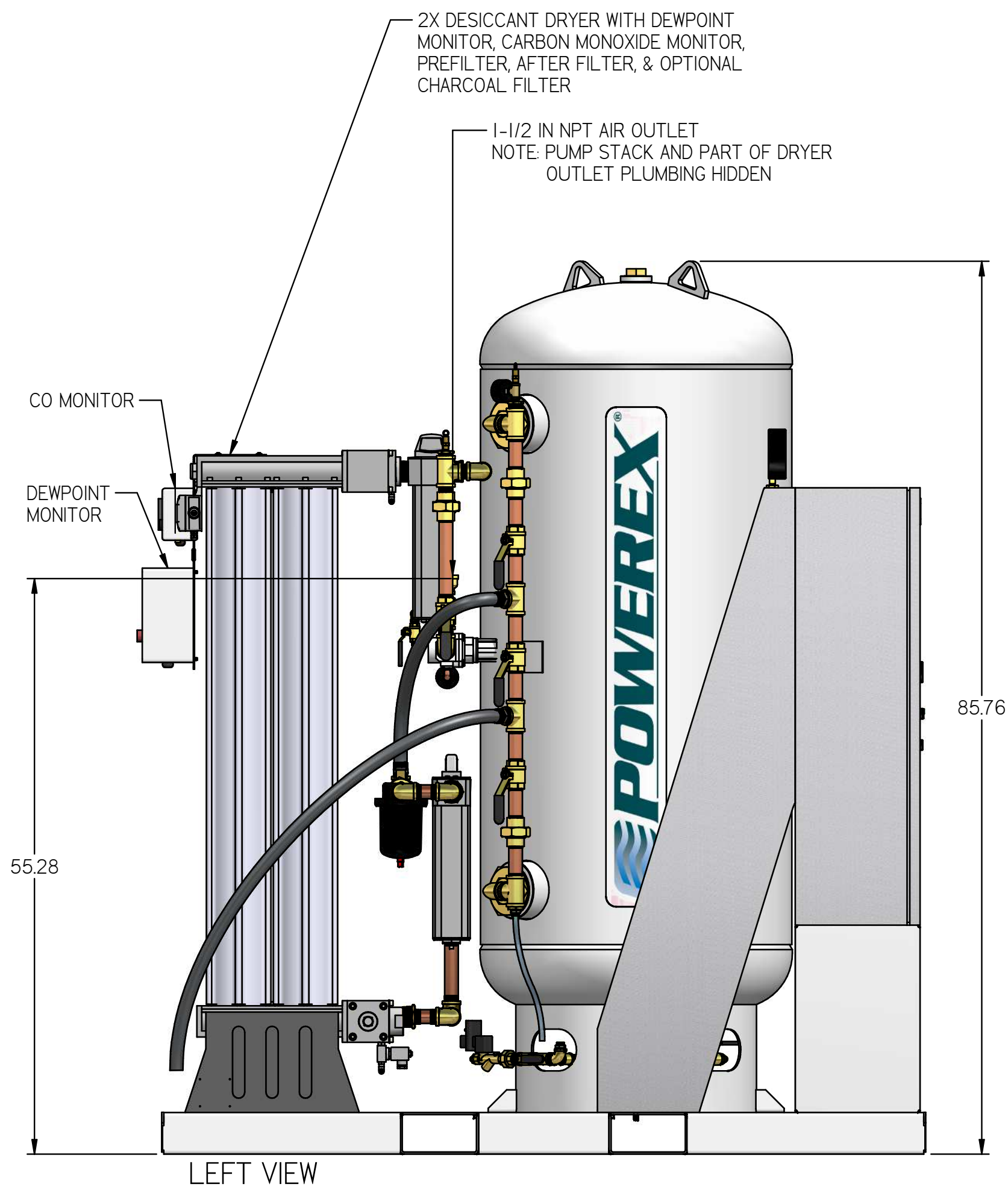
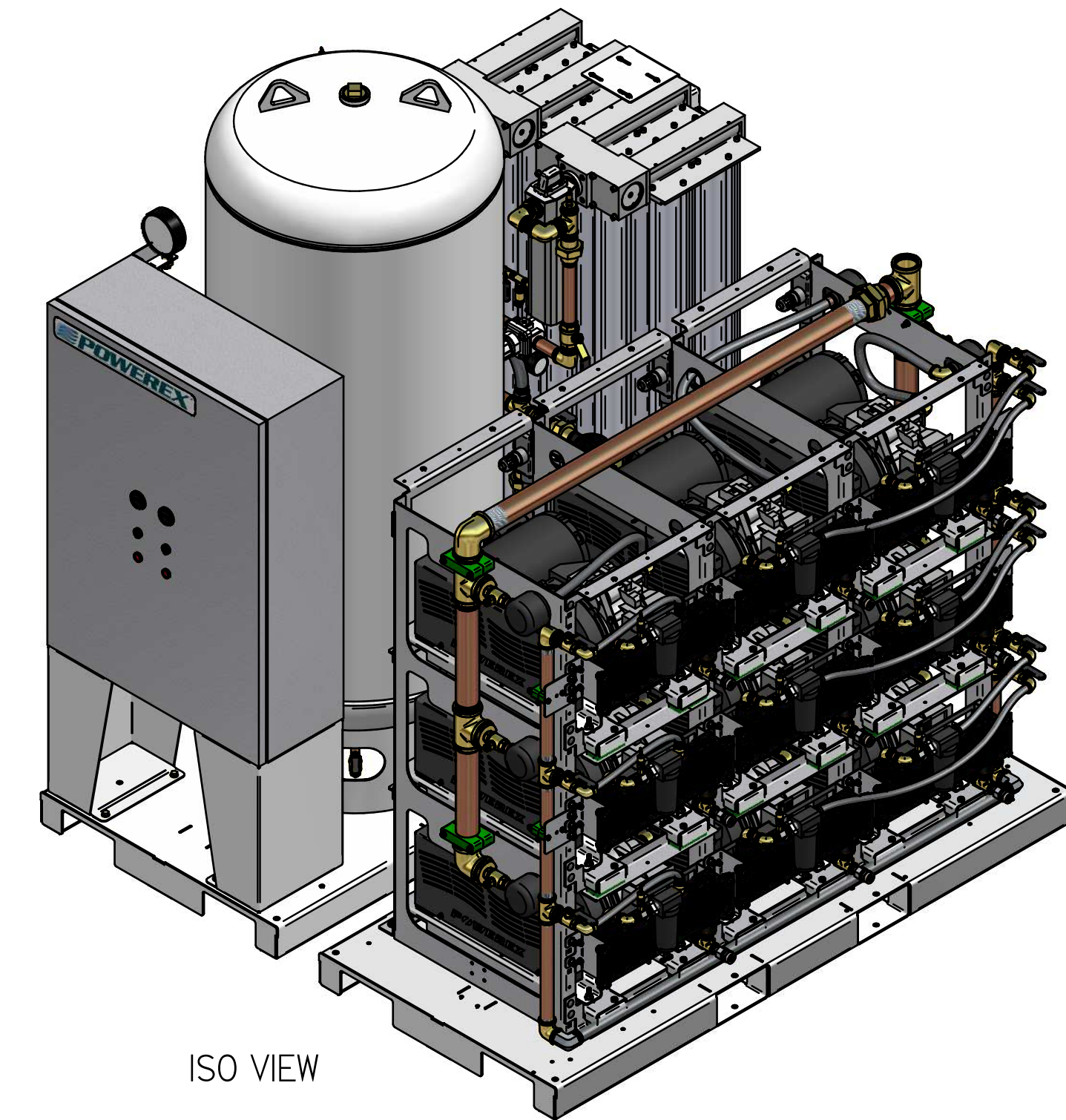
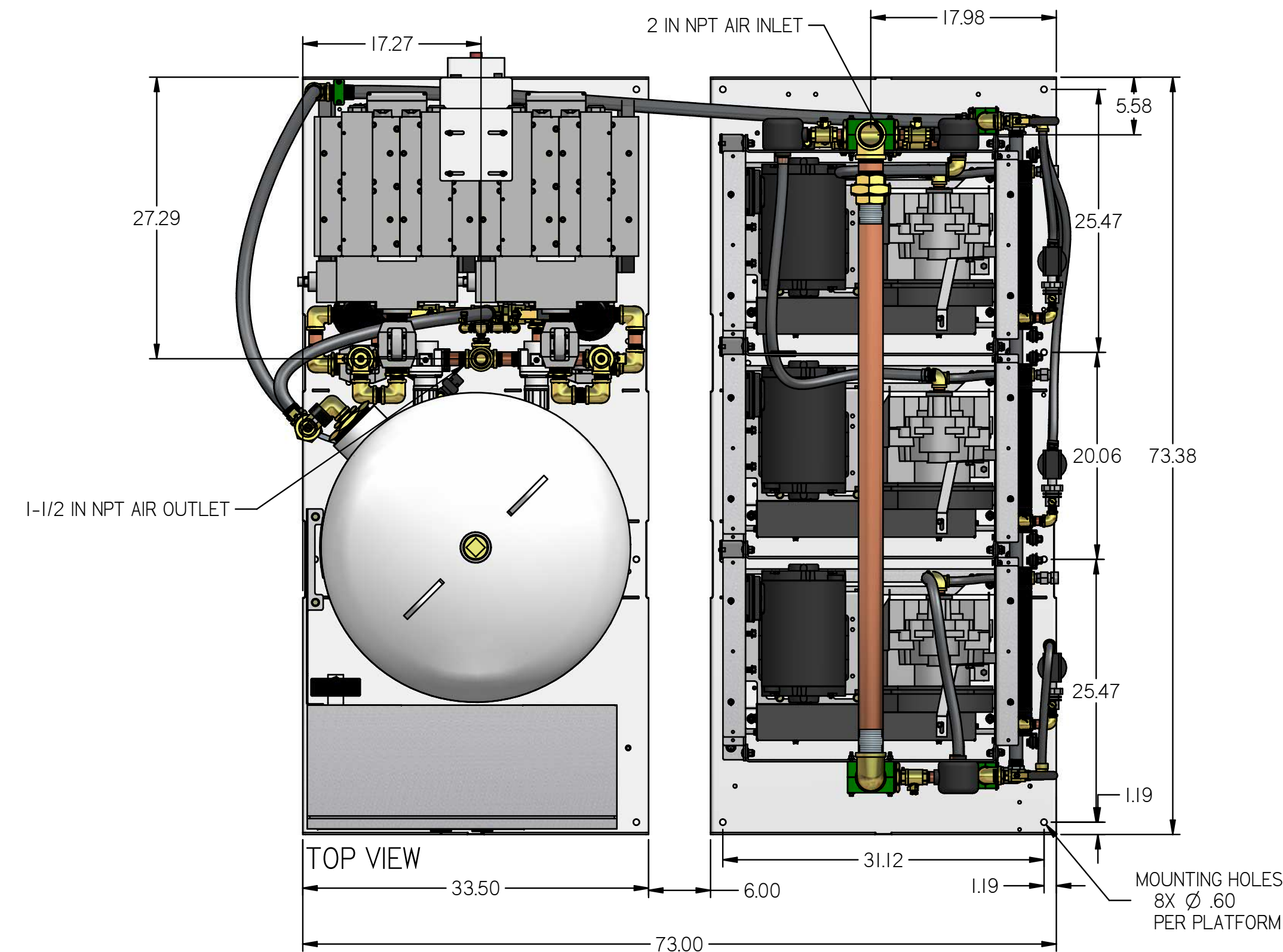
- NOTES:
1. APPROX SYSTEM WEIGHT: 4679 LB
2. 24" MINIMUM MAINTENANCE CLEARANCE RECOMMENDED ALL SIDES. CLEARANCE FOR CONTROL PANEL SHALL BE IN ACCORDANCE WITH OSHA/NEC REQUIREMENTS

SYMBOL LEGEND		DRAWINGS TO CONFORM TO CURRENT REVISION OF THE FOLLOWING ANSI STANDARDS:		
TOLERANCES NOT SPECIFIED	SOLID EDGE DRAWING	1:4:3 MULTI AND SECTIONAL VIEW DIMS	1:4:3 DIMENSIONING AND TOLERANCING	
0.XXX ± .01		DO NOT SCALE DRAWING FOR DIMENSIONS		
0.XXX ± .005			SHEET 1 OF 5	SCALE 1:1:1
± .5	INH			
<small>CONFIDENTIAL DISCLOSURE</small> This drawing is the property of POWEREX of the SCOTT FETTER COMPANY and is subject to return on demand. Its contents are confidential and must not be copied or submitted to outside parties for use or examination.		<small>AUTHOR</small> ASoulek	<small>ORIGINATION DATE</small> 10/2/2018	<small>APPROVALS ON FILE IN PLM</small>
<small>ITEM NO.</small> 716087	<small>MATERIAL</small> SEE PART NOTES			
<small>DESCRIPTION</small> MEDICAL OPEN SCROLL 5 HP NINE-PLEX WITH 200 GALLON TANK	<small>DRAWING NUMBER</small> MSN05A5	<small>REVISION</small> A	<small>SIZE</small> D	

REVISION NOTES		
DESCRIPTION	ECN	PR/NOR
PRODUCTION RELEASE	PXECO169	N/A

MSN05A5

MEDICAL OPEN SCROLL 5 HP NINE-PLEX WITH 200 GALLON TANK BASIC PANEL



- NOTES:
- APPROX SYSTEM WEIGHT: 4679 LB
 - 24" MINIMUM MAINTENANCE CLEARANCE RECOMMENDED ALL SIDES. CLEARANCE FOR CONTROL PANEL SHALL BE IN ACCORDANCE WITH OSHA/NEC REQUIREMENTS

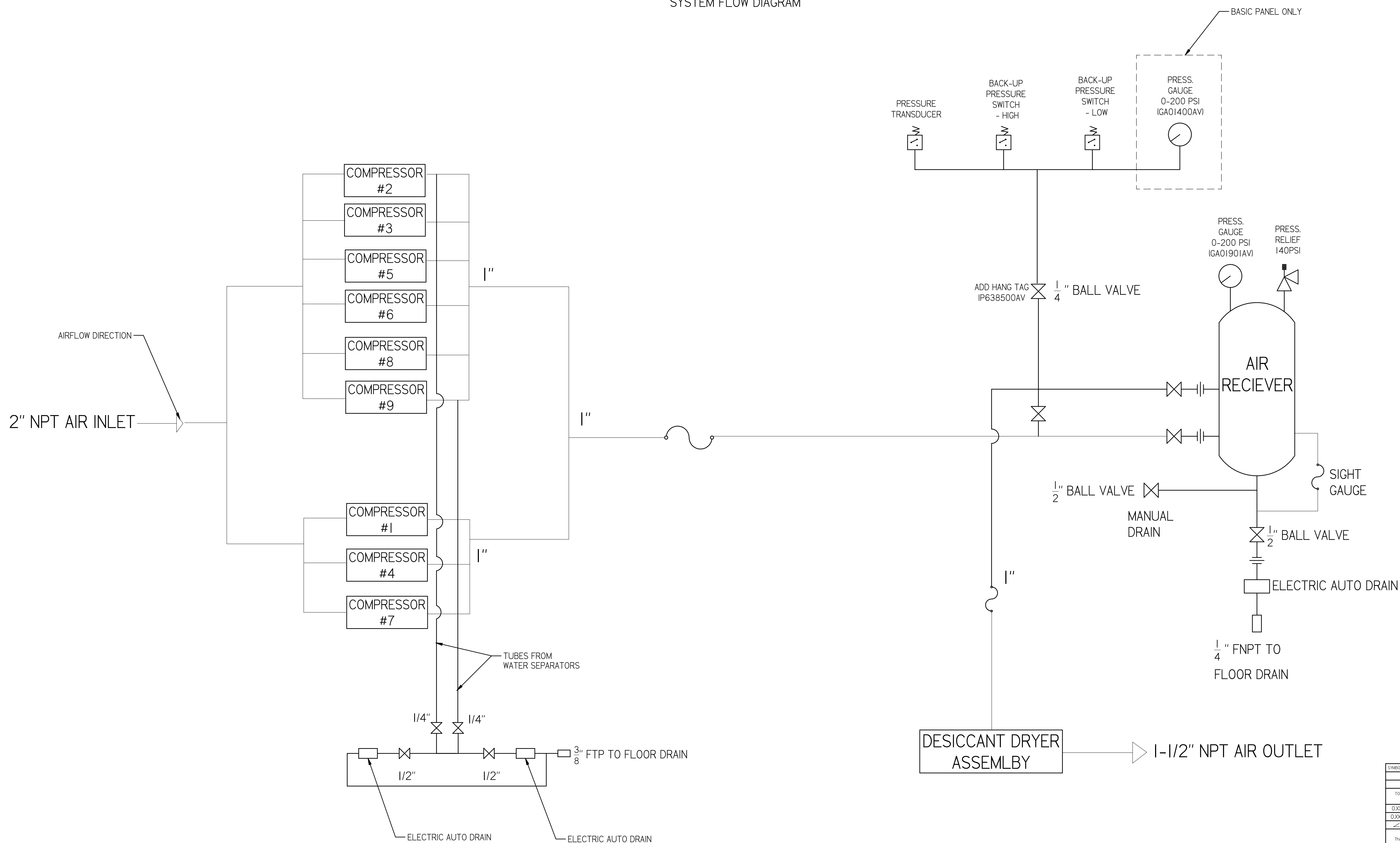
SYMBOL LEGEND		DRAWINGS TO CONFORM TO CURRENT REVISION OF THE FOLLOWING ANSI STANDARDS:		
TOLERANCES NOT SPECIFIED	SOLID EDGE DRAWING	DO NOT SCALE DRAWING FOR DIMENSIONS		
0.XXX ± .01	IND	SHEET 2 OF 5	SCALE	1:1
0.XXX ± .005				
CONFIDENTIAL DISCLOSURE This drawing is the property of POWEREX of the SCOTT FETTER COMPANY and is subject to return on demand. Its contents are confidential and must not be copied or submitted to outside parties for use or examination.		AUTHOR	ORIGINATION DATE	APPROVALS ON FILE IN PLM
PART NO: 716087		ASoulek	10/2/2018	
MATERIAL: SEE PART NOTES		 150 PRODUCTION DRIVE, HARRISON OH 45030 888-768-7079		
DESCRIPTION: MEDICAL OPEN SCROLL 5 HP NINE-PLEX WITH 200 GALLON TANK				
		DRAWING NUMBER: MSN05A5	REVISION: A	SIZE: D

MSN05A5

MEDICAL OPEN SCROLL 5 HP
NINE-PLEX WITH 200
GALLON TANK

SYSTEM FLOW DIAGRAM

REVISION NOTES		
DESCRIPTION	ECN	PR/NOR
PRODUCTION RELEASE	PXECO169	N/A

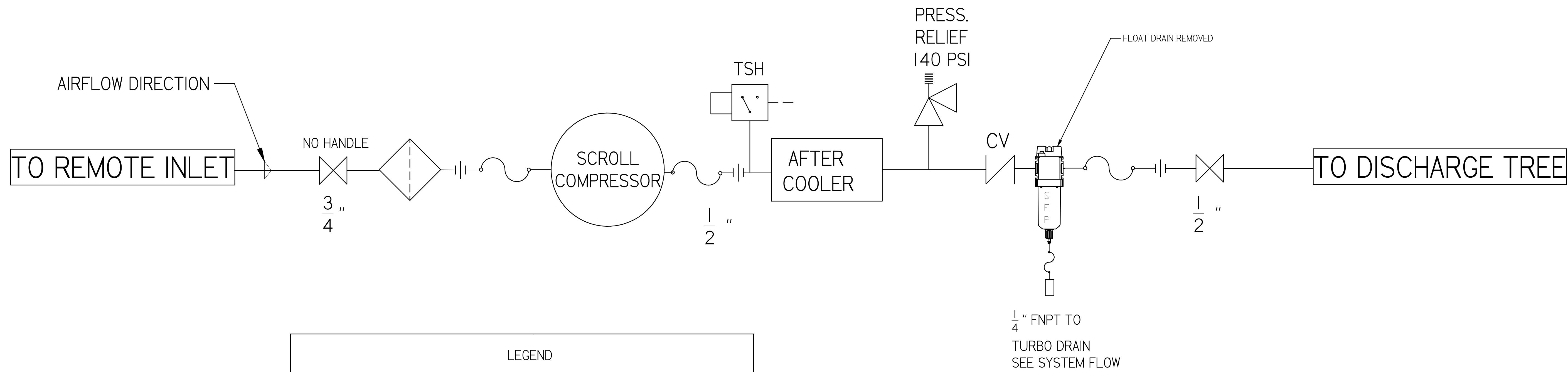


SYMBOL LEGEND		DRAWINGS TO CONFORM TO CURRENT REVISION OF THE FOLLOWING ANSI STANDARDS:	
TOLERANCES NOT SPECIFIED		Y14.3 MULTI AND SECTIONAL VIEW DIMS	
0.XXX ± .01		Y14.5 DIMENSIONING AND TOLERANCING	
0.XXX ± .005		SHEET 3 OF 5	
± .5		SCALE 1:1	
CONFIDENTIAL DISCLOSURE This drawing is the property of POWEREX of the SCOTT FETTER COMPANY and is subject to return on demand. Its contents are confidential and must not be copied or submitted to outside parties for use or examination.		APPROVALS ON FILE IN PLM	
716087		ASoulek 10/2/2018	
MATERIAL SEE PART NOTES			
DESCRIPTION MEDICAL OPEN SCROLL 5 HP NINE-PLEX WITH 200 GALLON TANK		DRAWING NUMBER MSN05A5	
		REVISION A	
		SIZE D	

REVISION NOTES		
DESCRIPTION	ECN	PR/NOR
PRODUCTION RELEASE	PXECO169	N/A

MSN05A5

MEDICAL OPEN SCROLL 5 HP
NINE-PLEX WITH 200
GALLON TANK
MEDICAL COMPRESSOR
FLOW DIAGRAM



LEGEND	
	RELIEF VALVE
	INTAKE FILTER
	AIR FILTER
	3 WAY VALVE
	CARBON FILTER
	BALL VALVE
	PRESSURE SWITCH
	REGULATOR
	SEPARATOR
	CHECK VALVE
	FLEX LINE
	TSH HIGH TEMP SWITCH

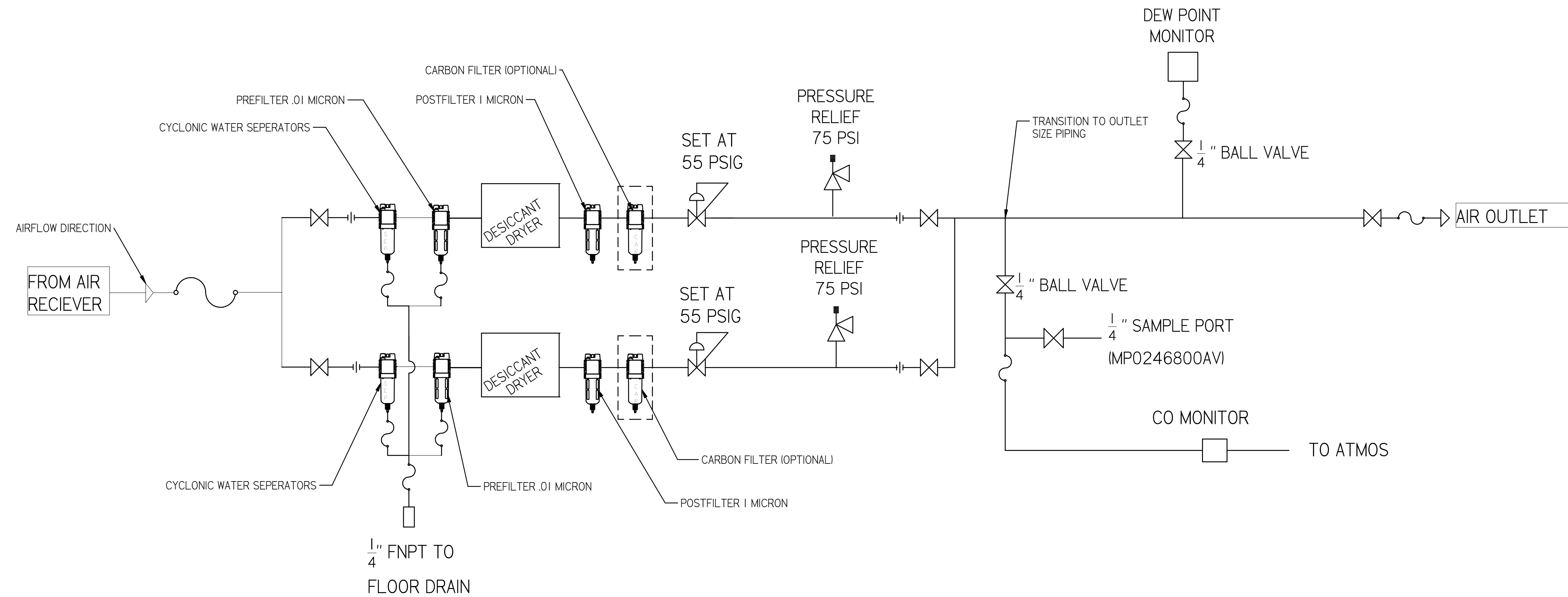
SYMBOL LEGEND		DRAWINGS TO CONFORM TO CURRENT REVISION OF THE FOLLOWING ANSI STANDARDS:	
		Y14.3 MULTI-VIEW AND SECTIONAL VIEW DWGS	
		Y14.5 DIMENSIONING AND TOLERANCING	
TOLERANCES NOT SPECIFIED	SOLID EDGE DRAWING	DO NOT SCALE DRAWING FOR DIMENSIONS	
0.XXX ± .01		SHEET 4 OF 5	SCALE I:1
0.XXX ± .005	INCH		
CONFIDENTIAL DISCLOSURE This drawing is the property of POWEREX of the SCOTT FETTER COMPANY and is subject to return on demand. Its contents are confidential and must not be copied or submitted to outside parties for use or examination.		AUTHOR	APPROVALS ON FILE IN PLM
PART NO: 716087		ASoulek	10/2/2018
MATERIAL: SEE PART NOTES			
DESCRIPTION: MEDICAL OPEN SCROLL 5 HP NINE-PLEX WITH 200 GALLON TANK		DRAWING NUMBER: MSN05A5	REVISION: A
			SIZE: D

POWEREX

REVISION NOTES		
DESCRIPTION	ECN	PR/NOR
PRODUCTION RELEASE	PXECO169	N/A

MSN05A5

MEDICAL OPEN SCROLL 5 HP
NINE-PLEX WITH 200
GALLON TANK
MEDICAL DRYER
FLOW DIAGRAM



PIPE SIZE CHART		
PUMP COUNT	DRYER PLUMBING SIZE	OUTLET PIPE SIZE
2	1/2"	1/2"
3	1/2"	1"
4	1/2"	1"
6	1"	1-1/2"
8	1"	1-1/2"
9	1"	1-1/2"
12	1-1/2"	2"
15	1-1/2"	2"
18	1-1/2"	2"

SYMBOL LEGEND		DRAWINGS TO CONFORM TO CURRENT REVISION OF THE FOLLOWING ANSI STANDARDS: Y14.3 MULTI AND SECTIONAL VIEW DIMS Y14.5 DIMENSIONING AND TOLERANCING	
TOLERANCES NOT SPECIFIED	SOLID EDGE DRAWING	DO NOT SCALE DRAWING FOR DIMENSIONS	
0.XXX ± .01		SHEET 5 OF 5	SCALE 1:1
0.XXX ± .005	AUTHOR		
± .5		ASoulek	10/2/2018
<small>CONFIDENTIAL DISCLOSURE</small> This drawing is the property of POWEREX or the SCOTT FETTER COMPANY and is subject to return on demand. Its contents are confidential and must not be copied or submitted to outside parties for use or examination.			
DRAWING NUMBER: MSN05A5 DESCRIPTION: MEDICAL OPEN SCROLL 5 HP NINE-PLEX WITH 200 GALLON TANK		REVISION NUMBER: A	SIZE: D

