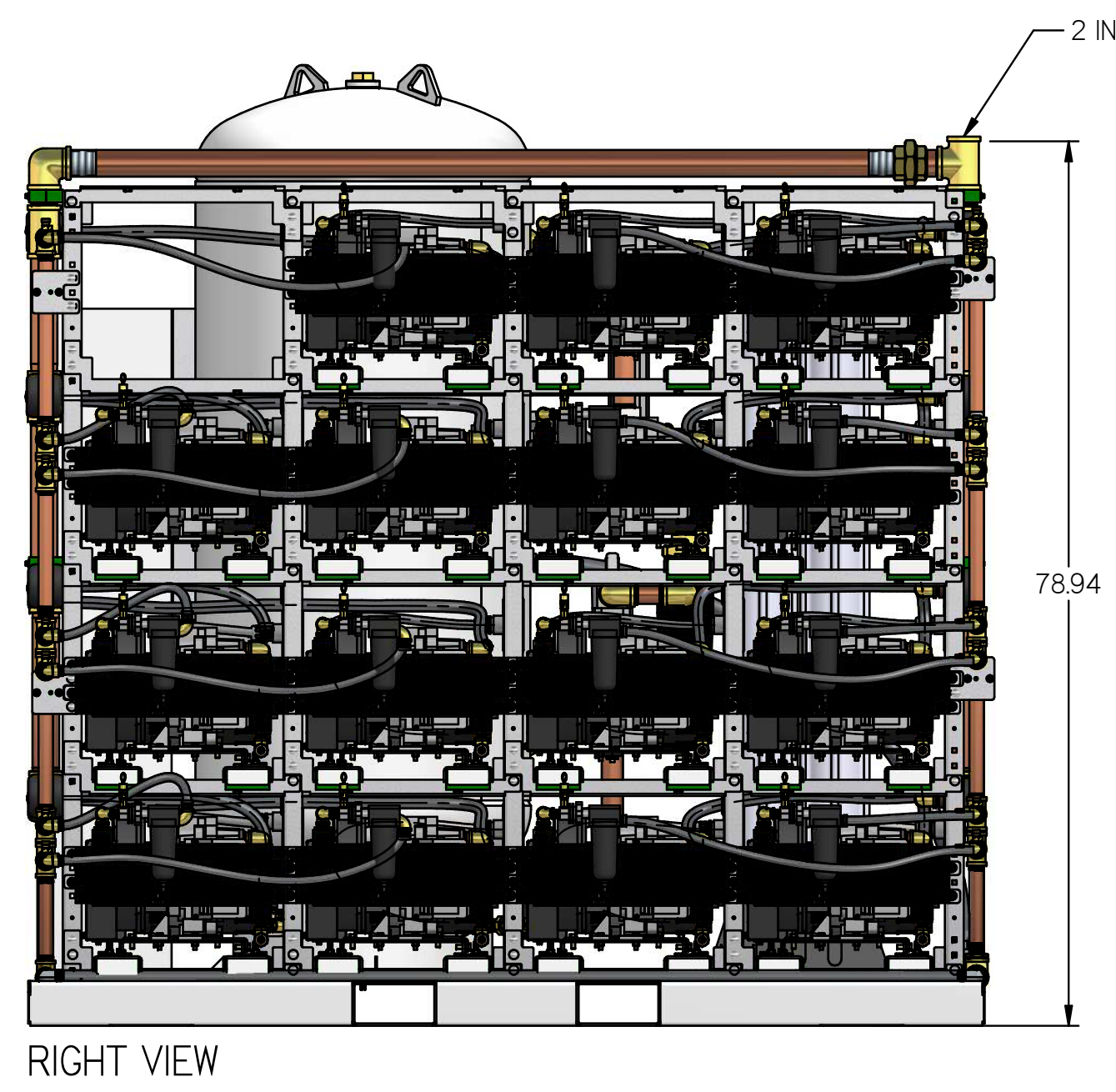
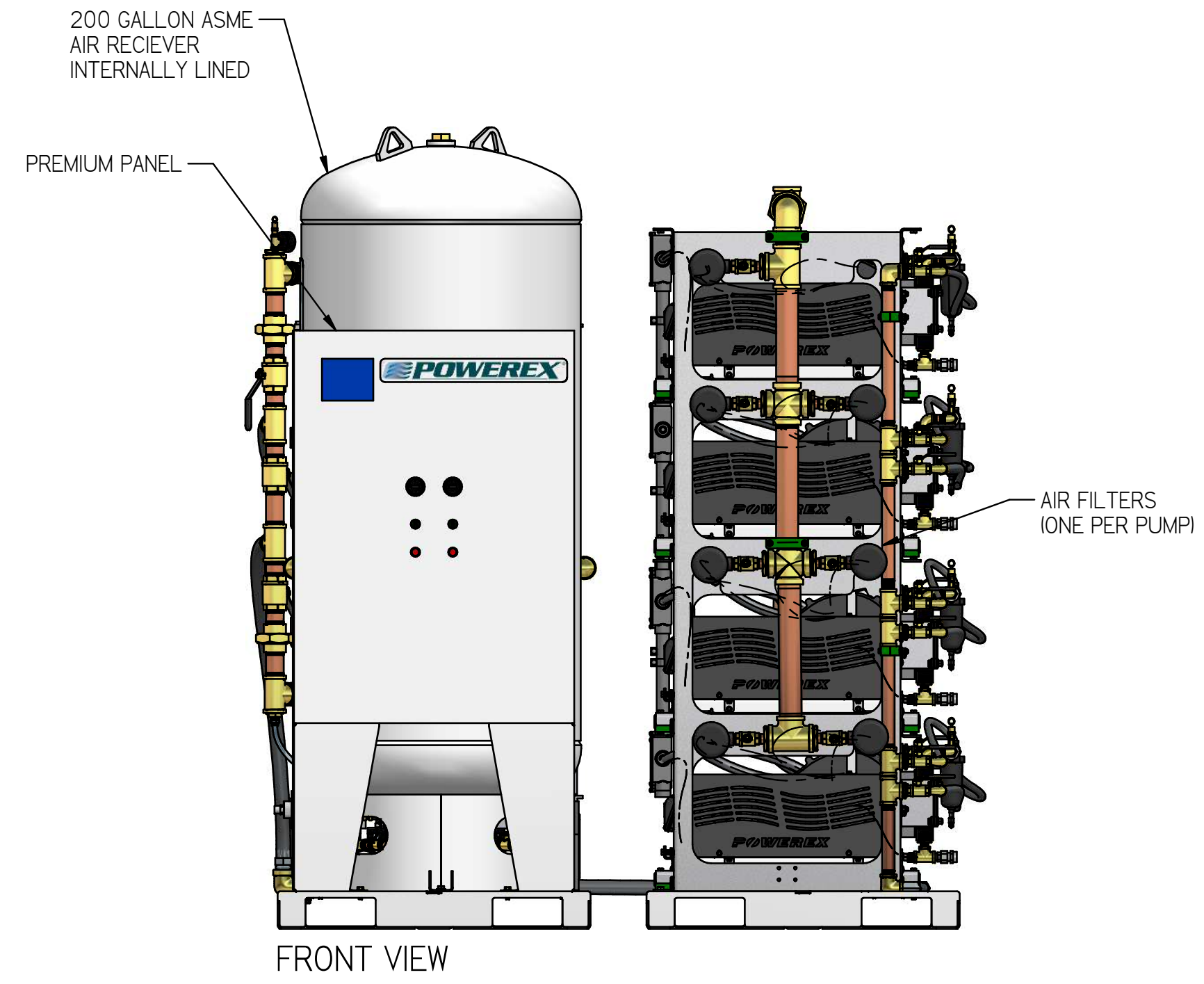
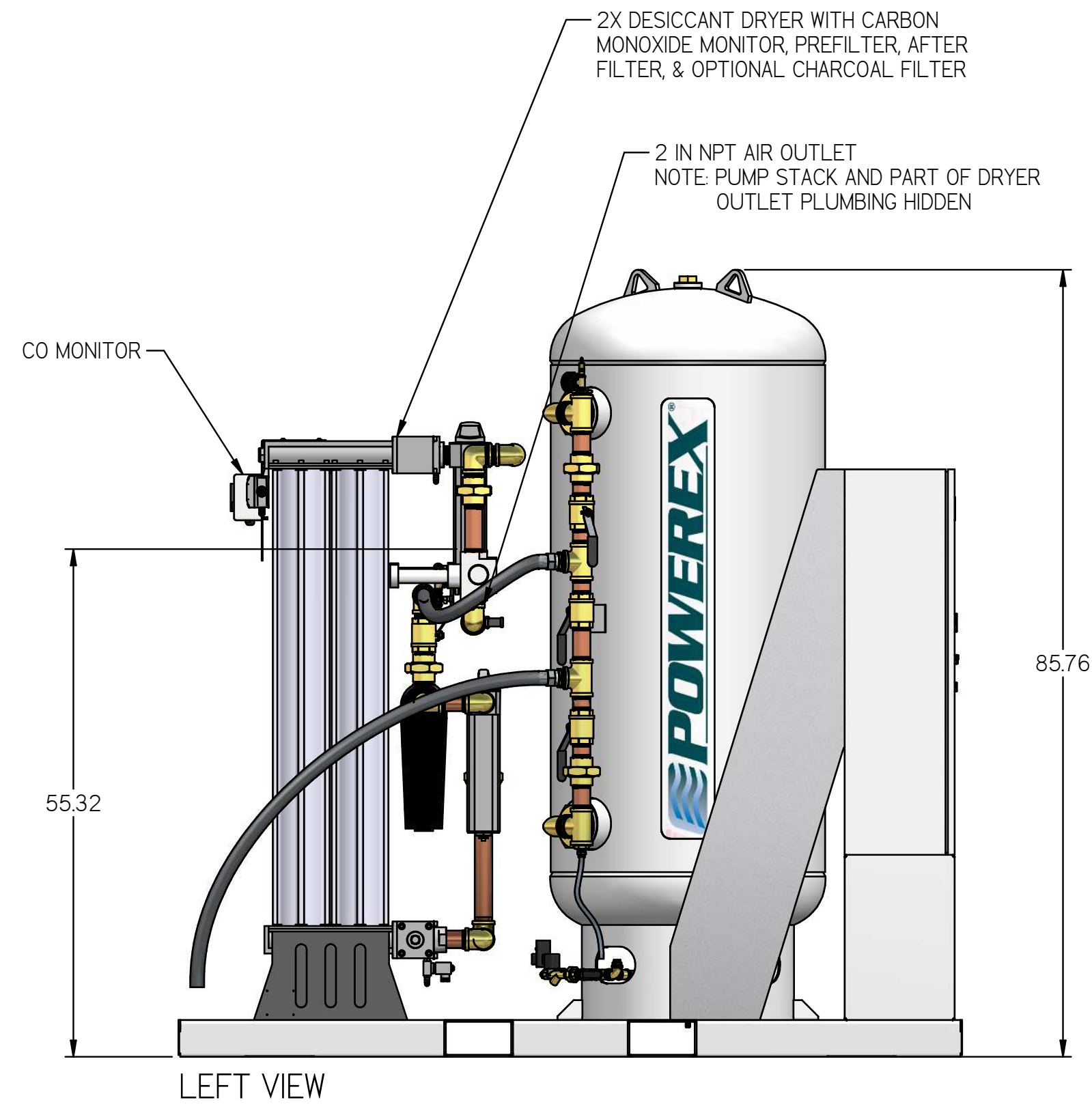
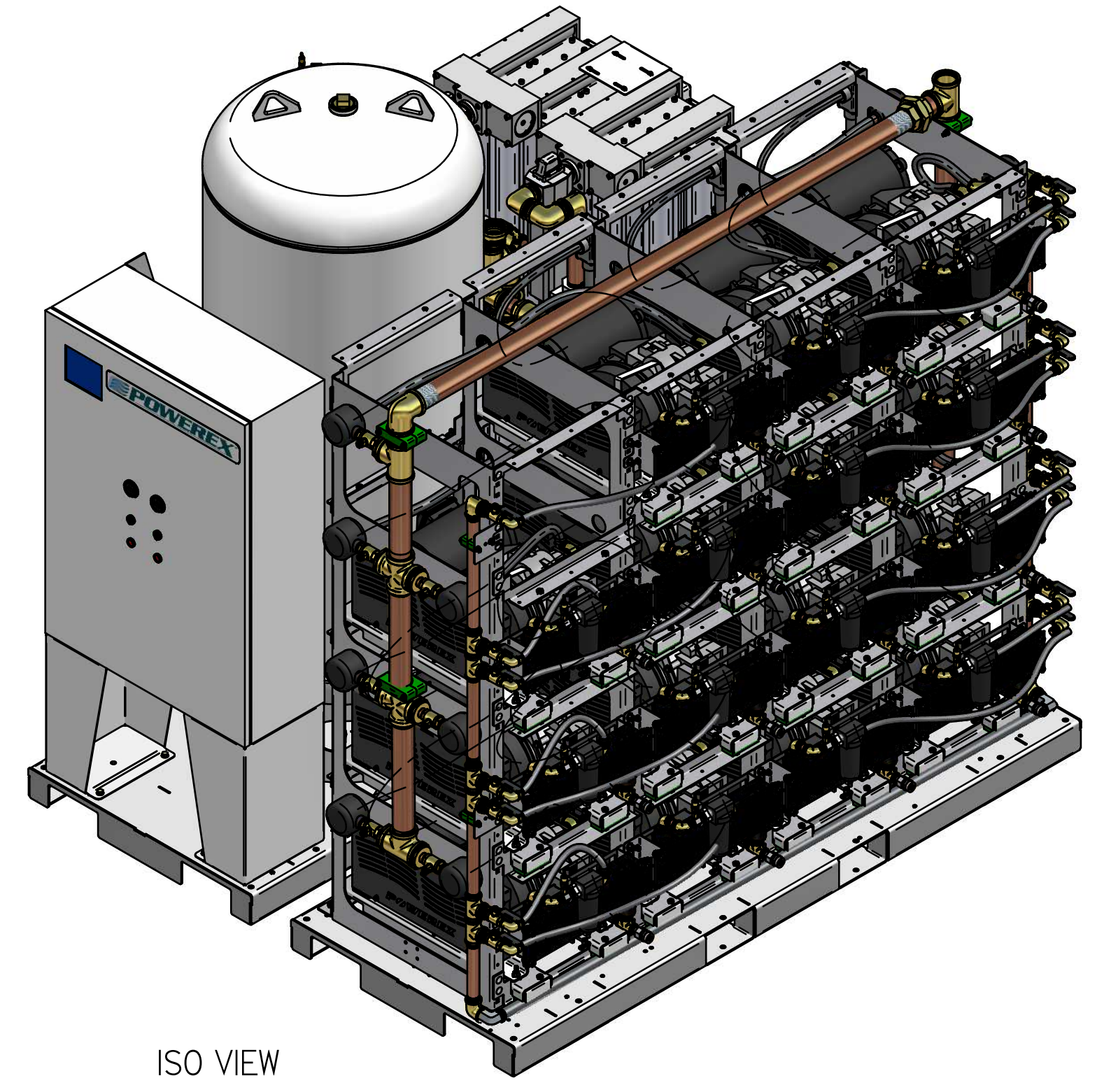
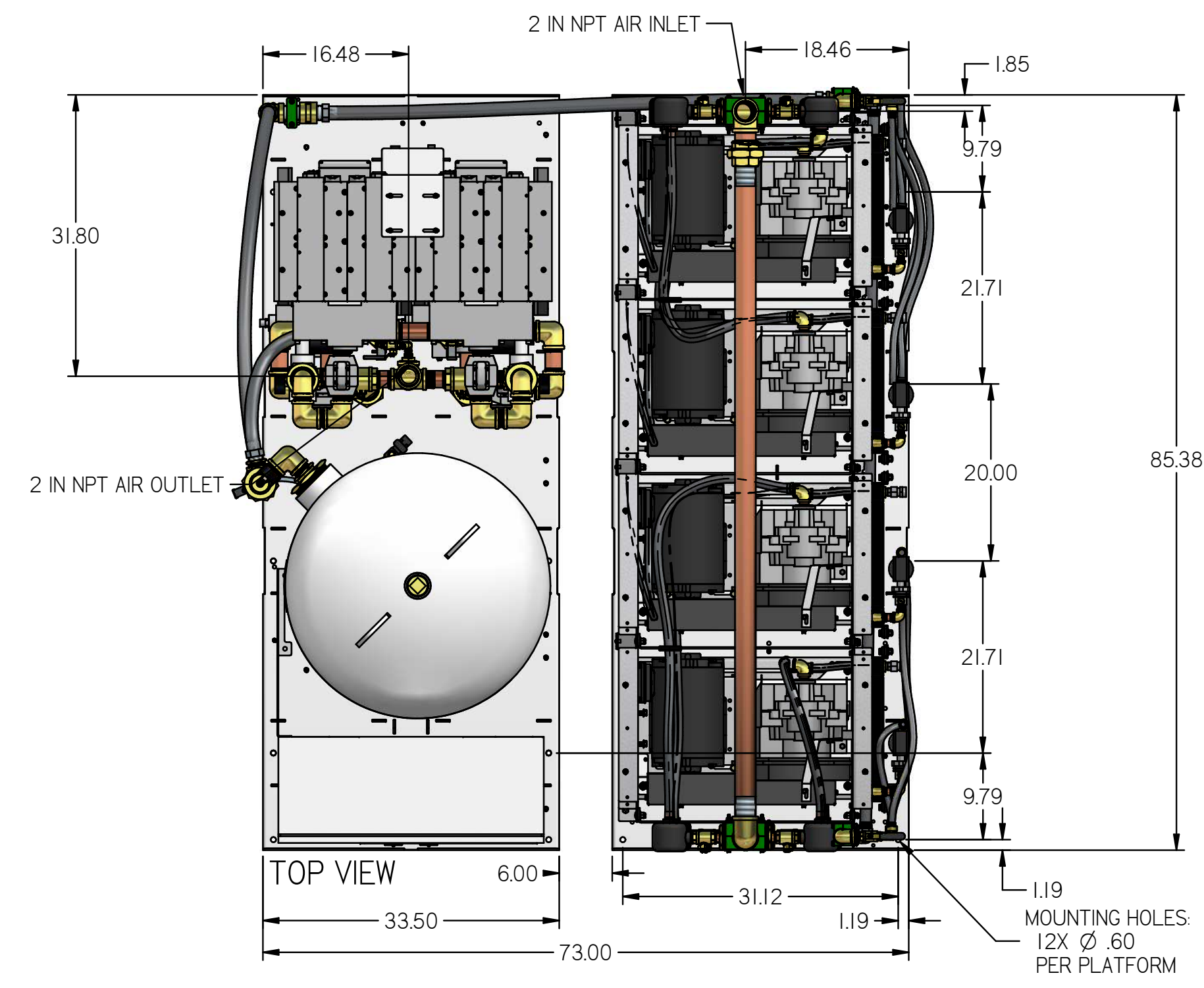


MSP15A5

MEDICAL SCROLL 15 HP
PENTAPLEX WITH 200
GALLON AIR RECIEVER
PREMIUM PANEL

| REVISION NOTES | | |
|--------------------|----------|--------|
| DESCRIPTION | ECN | PR/NOR |
| PRODUCTION RELEASE | PXECO169 | N/A |



NOTES:
1. APPROX SYSTEM WEIGHT: 6499 LB
2. 24" MINIMUM MAINTENANCE CLEARANCE RECOMMENDED ALL SIDES. CLEARANCE FOR CONTROL PANEL SHALL BE IN ACCORDANCE WITH OSHA/NEC REQUIREMENTS

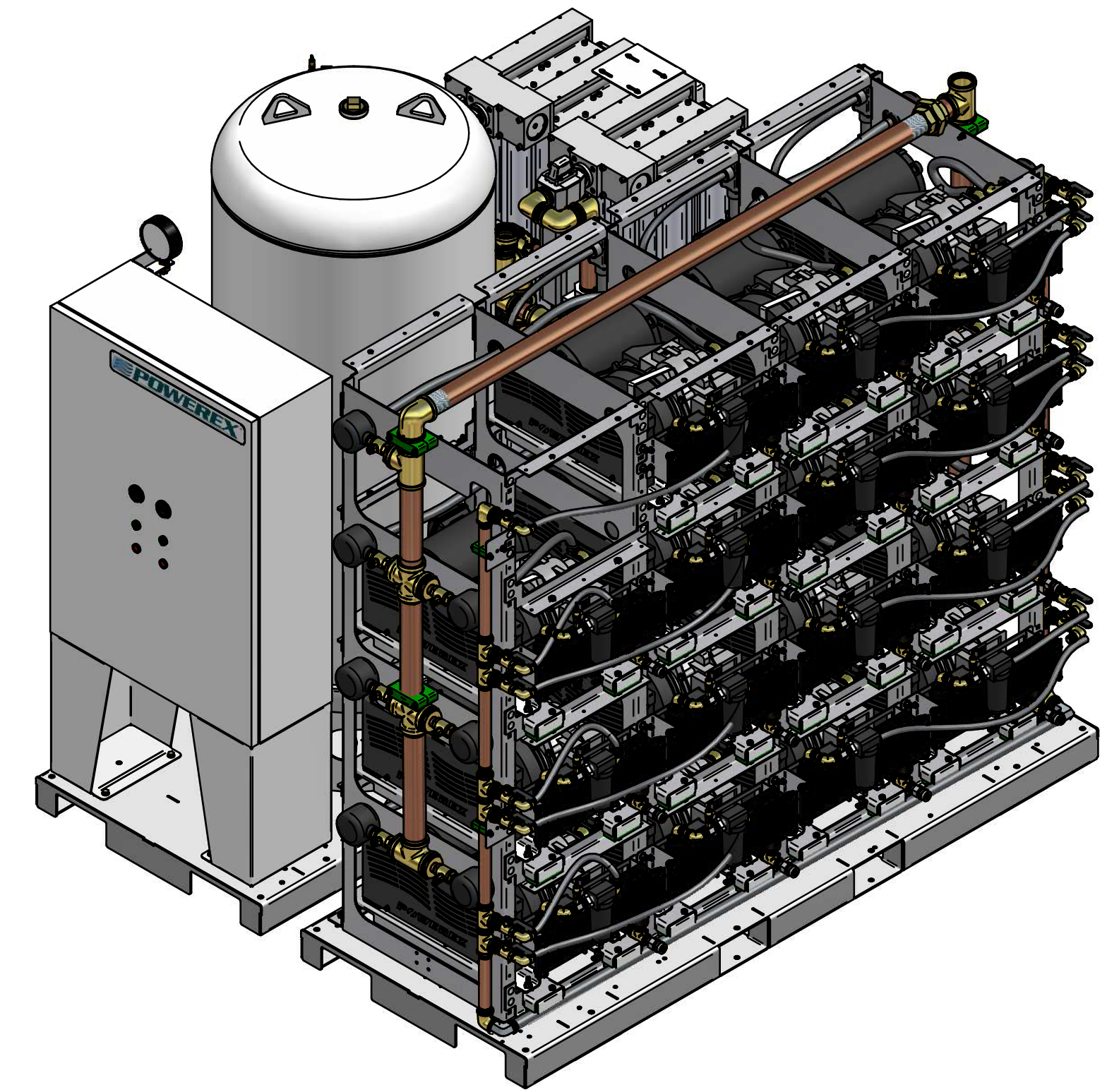
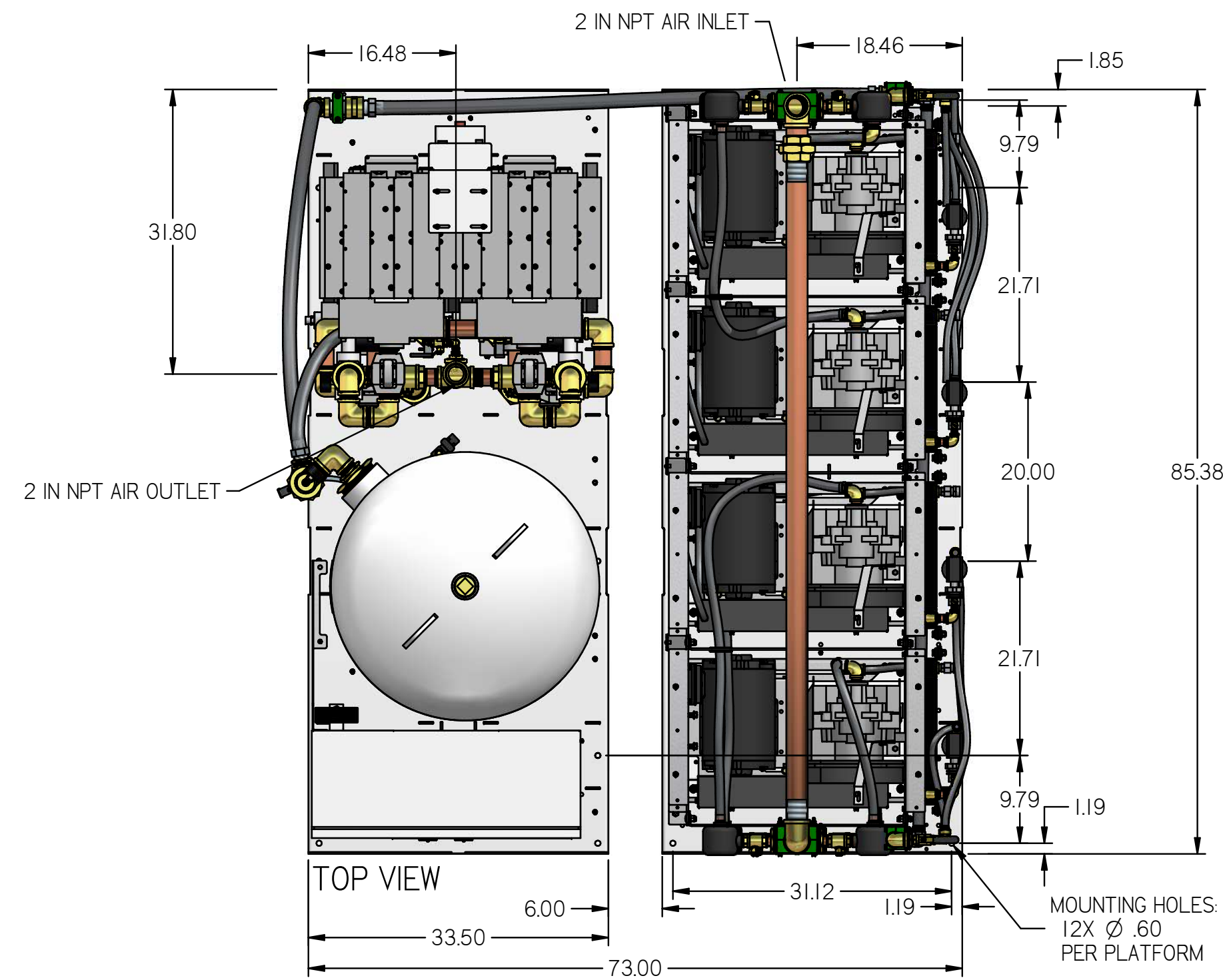
| SYMBOL LEGEND | | DRAWINGS TO CONFORM TO CURRENT REVISION OF THE FOLLOWING ANSI STANDARDS: | |
|----------------------------------------------------------------------------------------------------------------------------------------------------------------------------------------------------------------------------------------------------------------|--------------------|--------------------------------------------------------------------------|------------------------------------|
| TOLERANCES NOT SPECIFIED | SOLID EDGE DRAWING | Y14.3 MULTI AND SECTIONAL VIEW DIMS | Y14.5 DIMENSIONING AND TOLERANCING |
| 0.00X ± .01 | | DO NOT SCALE DRAWING FOR DIMENSIONS | |
| 0.00X ± .005 | | SHEET 1 OF 5 | SCALE 1:14.29 |
| <small>CONFIDENTIAL DISCLOSURE</small> This drawing is the property of POWEREX of the SCOTT FETTER COMPANY and is subject to return on demand. Its contents are confidential and must not be copied or submitted to outside parties for use or examination. | | AUTHOR | APPROVALS ON FILE IN PLM |
| ITOM: 716004 MATERIAL: SEE PART DRAWINGS | | ASoulek | 11/5/2018 |
| DESCRIPTION: MEDICAL SCROLL 15 HP PENTAPLEX WITH 200 GALLON AIR RECIEVER | | DRAWING NUMBER: MSP15A5 | REVISION: B |
| | | | SIZE: D |



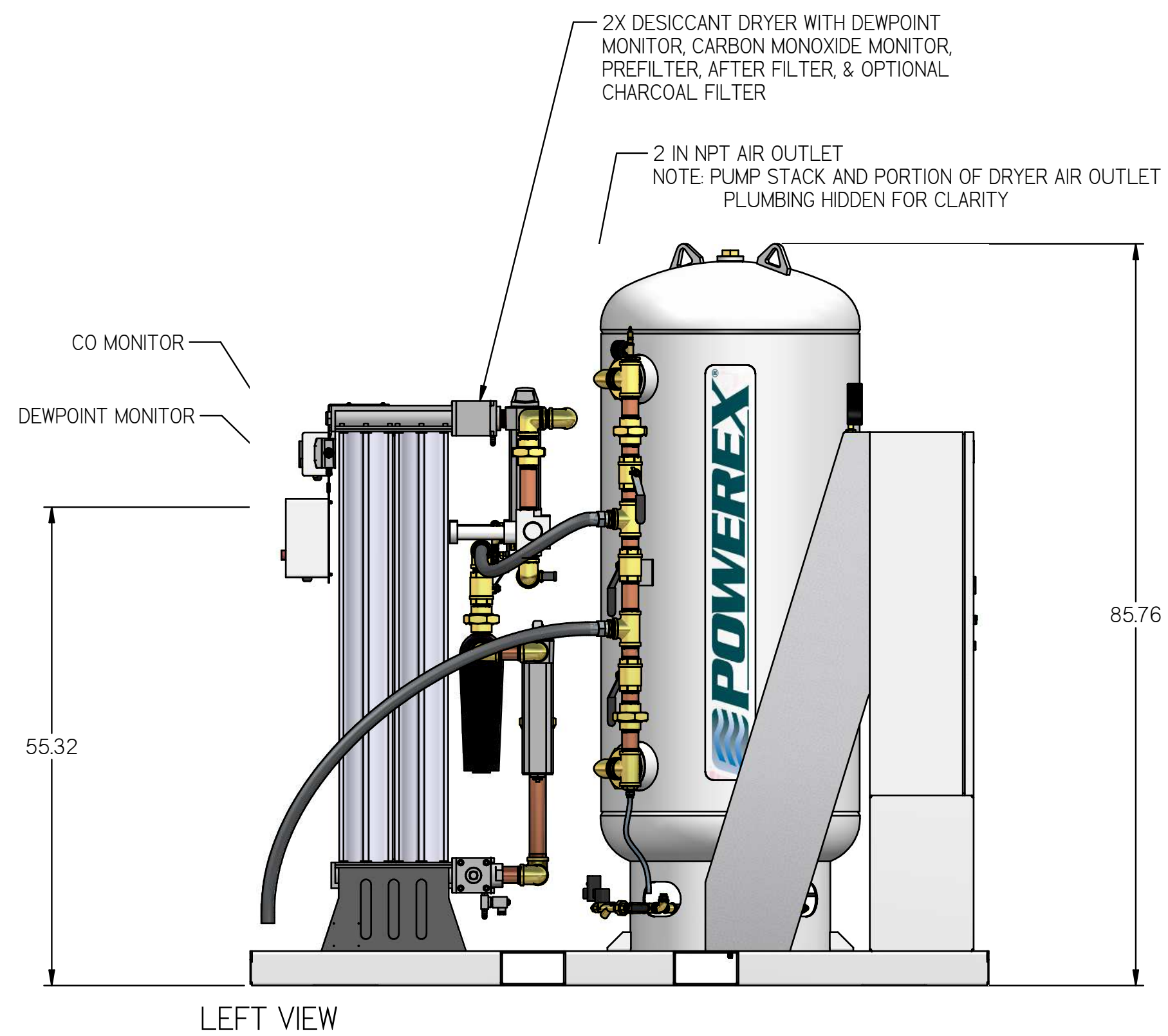
| REVISION NOTES | | |
|--------------------|----------|--------|
| DESCRIPTION | ECN | PR/NOR |
| PRODUCTION RELEASE | PXEC0169 | N/A |

MSP15A5

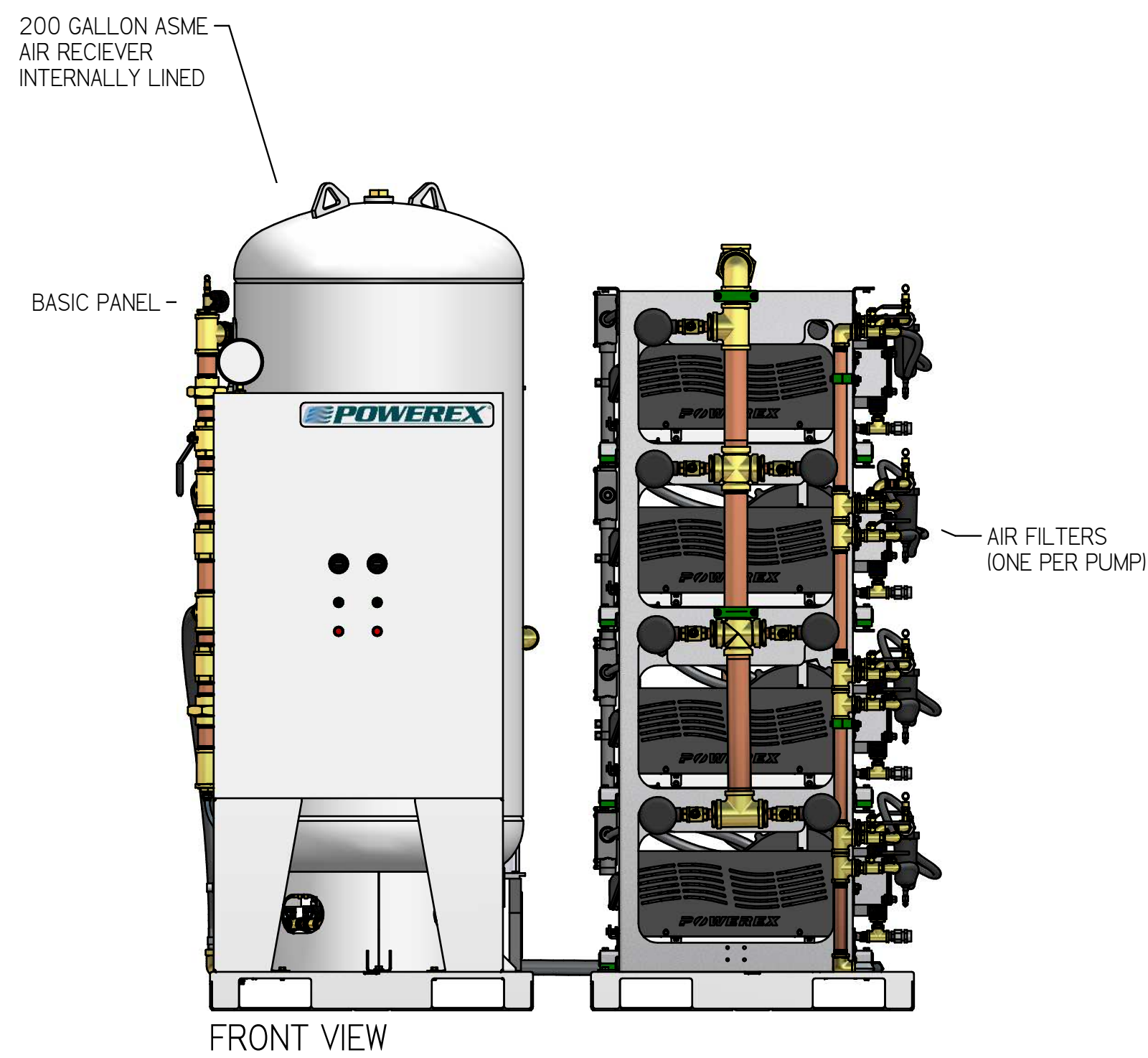
MEDICAL SCROLL 15 HP
PENTAPLEX WITH 200
GALLON AIR RECIEVER
BASIC PANEL



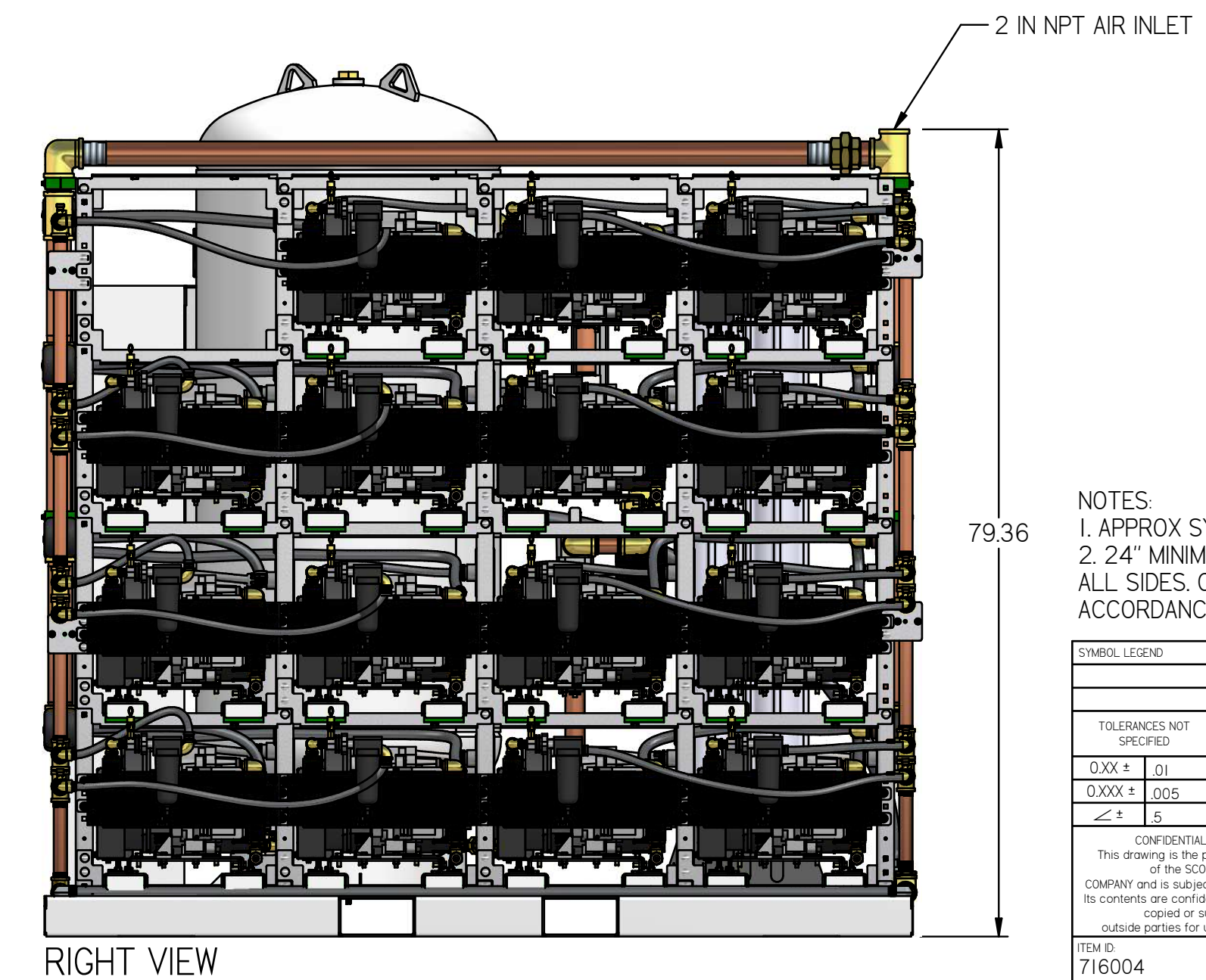
ISO VIEW



LEFT VIEW



FRONT VIEW



RIGHT VIEW

- NOTES:
- APPROX SYSTEM WEIGHT: 6499 LB
 - 24" MINIMUM MAINTENANCE CLEARANCE RECOMMENDED ALL SIDES. CLEARANCE FOR CONTROL PANEL SHALL BE IN ACCORDANCE WITH OSHA/NEC REQUIREMENTS

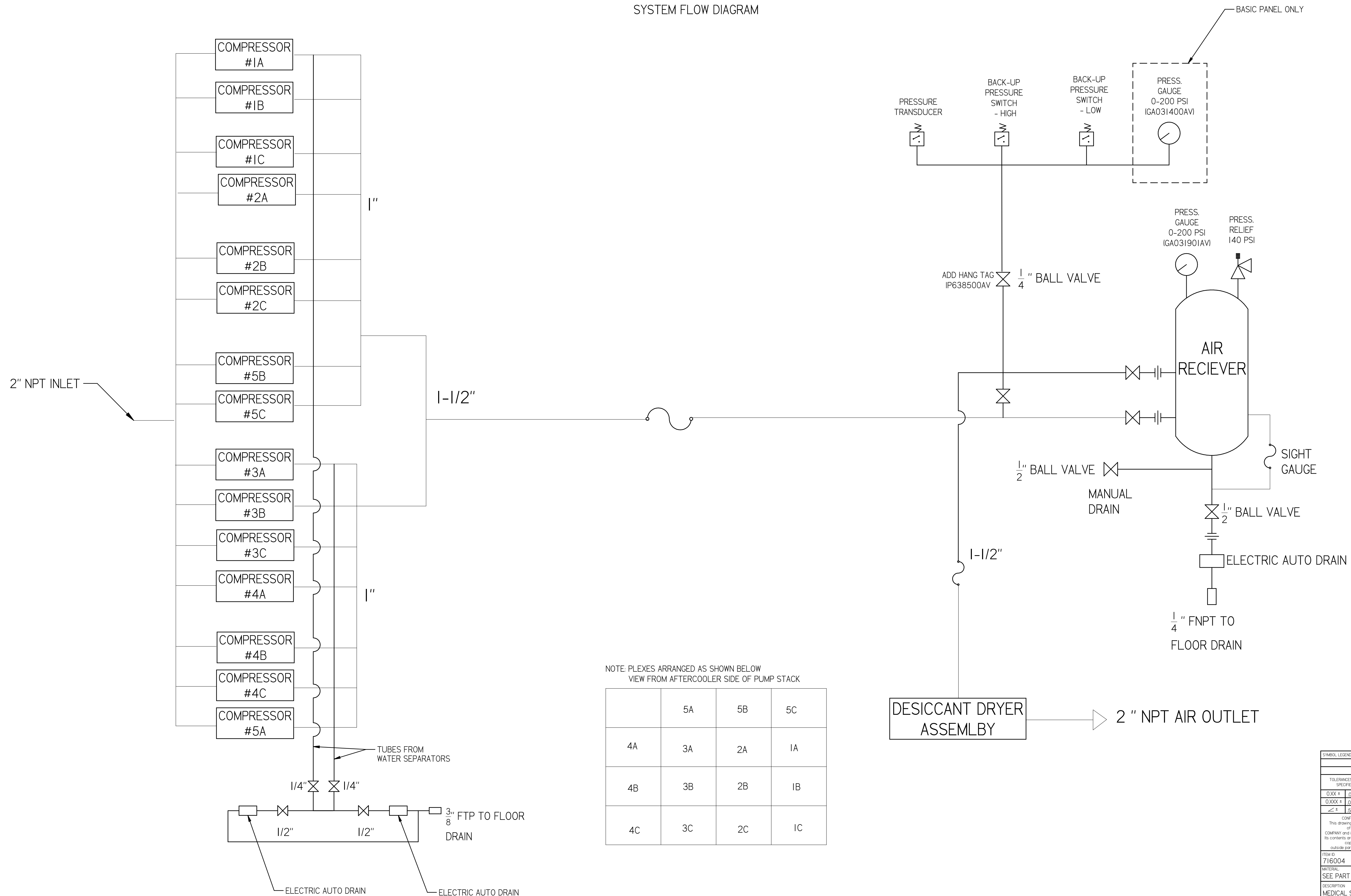
| SYMBOL LEGEND | | DRAWINGS TO CONFORM TO CURRENT REVISION OF THE FOLLOWING ANSI STANDARDS: | |
|----------------------------------------------------------------------------------------------------------------------------------------------------------------------------------------------------------------------------------------------------------------|--------------------|--------------------------------------------------------------------------|---------------------|
| TOLERANCES NOT SPECIFIED | SOLID EDGE DRAWING | DO NOT SCALE DRAWING FOR DIMENSIONS | |
| 0.XXX ± .01 | DRAWING | SHEET 2 OF 5 | SCALE 1:14.29 |
| 0.XXX ± .005 | | | |
| ± .5 | INCH | | |
| <small>CONFIDENTIAL DISCLOSURE</small> This drawing is the property of POWEREX of the SCOTT FETTER COMPANY and is subject to return on demand. Its contents are confidential and must not be copied or submitted to outside parties for use or examination. | | AUTHOR | ORIGINATION DATE |
| TITLE: 716004 MATERIAL: SEE PART DRAWINGS | | ASoulek | 11/5/2018 |
| DESCRIPTION: MEDICAL SCROLL 15 HP PENTAPLEX WITH 200 GALLON AIR RECIEVER | | DRAWING NUMBER: MSP15A5 | REVISION: B D |



| REVISION NOTES | | |
|--------------------|----------|--------|
| DESCRIPTION | ECN | PR/NOR |
| PRODUCTION RELEASE | PXECO169 | N/A |

MSP15A5

MEDICAL SCROLL 15 HP
PENTAPLEX WITH 200
GALLON AIR RECIEVER
SYSTEM FLOW DIAGRAM



NOTE: PLEXES ARRANGED AS SHOWN BELOW
VIEW FROM AFTERCOOLER SIDE OF PUMP STACK

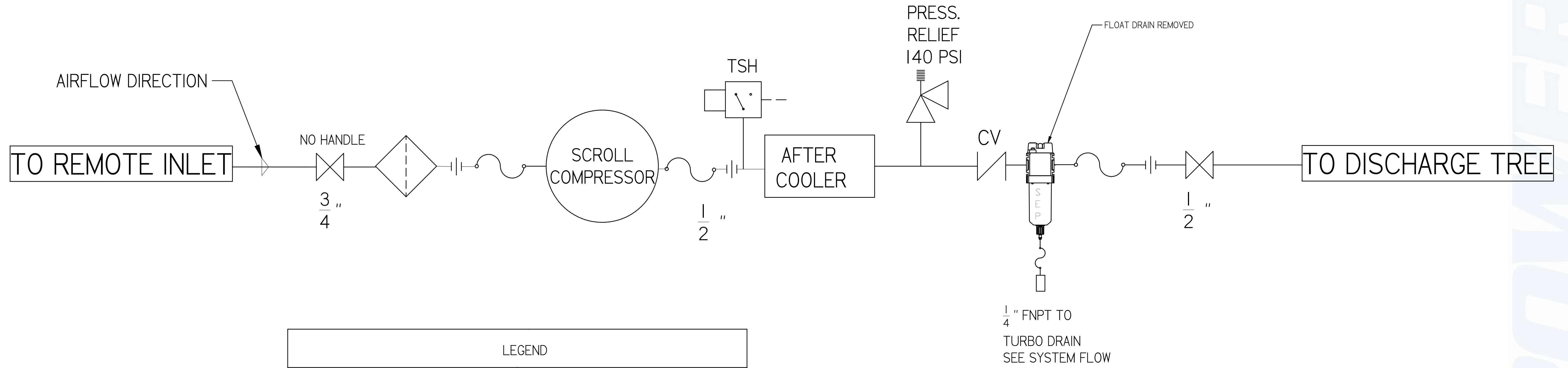
| | | | |
|----|----|----|----|
| | 5A | 5B | 5C |
| 4A | 3A | 2A | 1A |
| 4B | 3B | 2B | 1B |
| 4C | 3C | 2C | 1C |

| | | | |
|-----------------------------------------------------------------------------------------------------------------------------------------------------------------------------------------------------------------------------------------------|--------------------|--------------------------------------------------------------------------|--------------------------|
| SYMBOL LEGEND | | DRAWINGS TO CONFORM TO CURRENT REVISION OF THE FOLLOWING ANSI STANDARDS: | |
| | | Y14.3 MULTI AND SECTIONAL VIEW DIMS | |
| | | Y14.5 DIMENSIONING AND TOLERANCING | |
| TOLERANCES NOT SPECIFIED | SOLID EDGE DRAWING | DO NOT SCALE DRAWING FOR DIMENSIONS | |
| 0.XXX ± .01 | INCH | SHEET 3 OF 5 | SCALE 1:1 |
| 0.XXX ± .005 | | | |
| CONFIDENTIAL DISCLOSURE: This drawing is the property of POWEREX of the SCOTT FETTER COMPANY and is subject to return on demand. Its contents are confidential and must not be copied or submitted to outside parties for use or examination. | | AUTHOR | APPROVALS ON FILE IN PLM |
| PART NUMBER: 716004 | | ASoulek | 11/5/2018 |
| MATERIAL: SEE PART DRAWINGS | | | |
| DESCRIPTION: MEDICAL SCROLL 15 HP PENTAPLEX WITH 200 GALLON AIR RECIEVER | | DRAWING NUMBER: MSP15A5 | REVISION: B |
| | | SIZE: B | SIZE: D |

| REVISION NOTES | | |
|--------------------|----------|--------|
| DESCRIPTION | ECN | PR/NOR |
| PRODUCTION RELEASE | PXECO169 | N/A |

MSP15A5

MEDICAL SCROLL 15 HP
PENTAPLEX WITH 200
GALLON AIR RECIEVER
COMPRESSOR FLOW DIAGRAM



| LEGEND | |
|--------|-------------------------|
| | RELIEF VALVE |
| | INTAKE FILTER |
| | AIR FILTER |
| | 3 WAY VALVE |
| | CARBON FILTER |
| | BALL VALVE |
| | PRESSURE SWITCH |
| | REGULATOR |
| | SEPARATOR |
| | CHECK VALVE |
| | FLEX LINE |
| | TSH HIGH TEMP SWITCH |

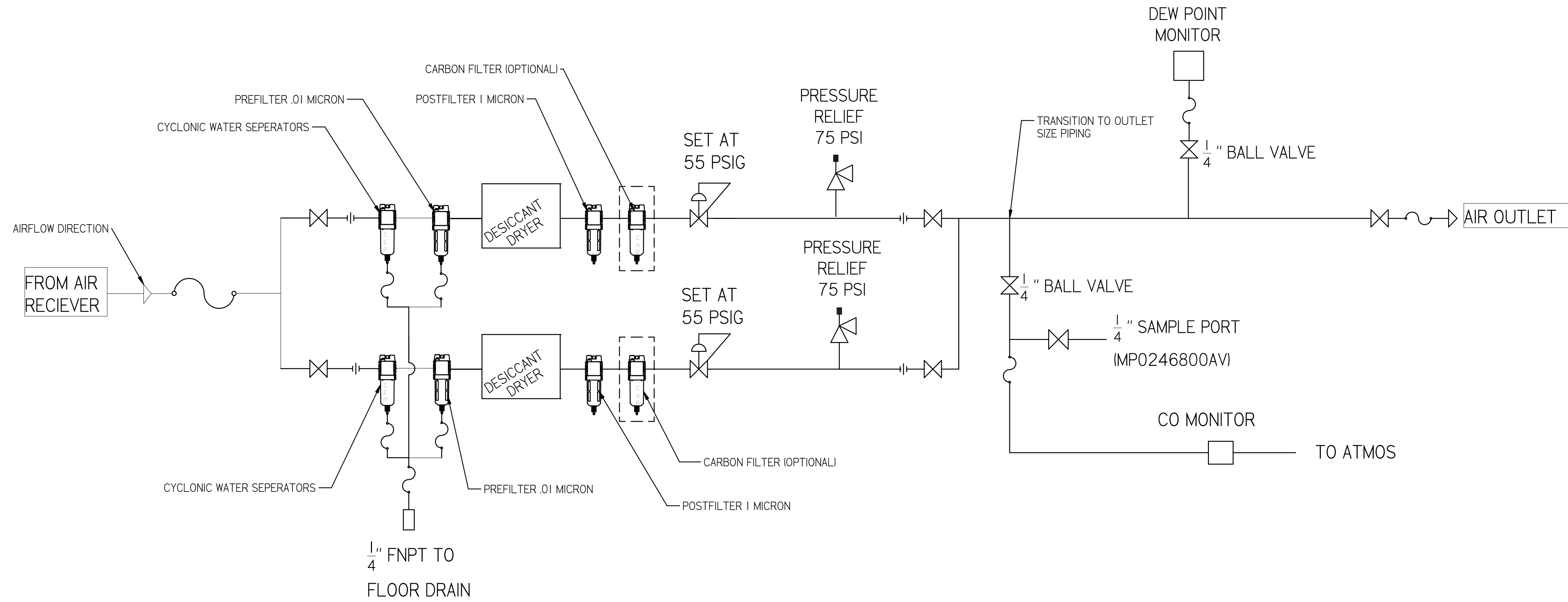
| | | | |
|----------------------------------------------------------------------------------------------------------------------------------------------------------------------------------------------------------------------------------------------------------------|--------------------|--------------------------------------------------------------------------|--------------------------|
| SYMBOL LEGEND | | DRAWINGS TO CONFORM TO CURRENT REVISION OF THE FOLLOWING ANSI STANDARDS: | |
| | | Y14.3 MULTI AND SECTIONAL VIEW DWGS | |
| | | Y14.5 DIMENSIONING AND TOLERANCING | |
| TOLERANCES NOT SPECIFIED: | SOLID EDGE DRAWING | DO NOT SCALE DRAWING FOR DIMENSIONS | |
| 0.001 ± .01 | | | |
| 0.005 ± .005 | INCH | SHEET 4 OF 5 | SCALE 1:1 |
| <small>CONFIDENTIAL DISCLOSURE</small> This drawing is the property of POWEREX of the SCOTT FETTER COMPANY and is subject to return on demand. Its contents are confidential and must not be copied or submitted to outside parties for use or examination. | | AUTHOR | APPROVALS ON FILE IN PLM |
| TITLE: 716004 MATERIAL: SEE PART DRAWINGS | | ASoulek | 11/5/2018 |
| DESCRIPTION: MEDICAL SCROLL 15 HP PENTAPLEX WITH 200 GALLON AIR RECIEVER | | DRAWING NUMBER: MSP15A5 | REVISION: B D |



| REVISION NOTES | | |
|--------------------|----------|--------|
| DESCRIPTION | ECN | PR/NOR |
| PRODUCTION RELEASE | PXECO169 | N/A |

MSPI5A5

MEDICAL SCROLL 15 HP
PENTAPLEX WITH 200
GALLON AIR RECIEVER
DRYER FLOW DIAGRAM



| PIPE SIZE CHART | | |
|-----------------|---------------------|------------------|
| PUMP COUNT | DRYER PLUMBING SIZE | OUTLET PIPE SIZE |
| 2 | 1/2" | 1/2" |
| 3 | 1/2" | 1" |
| 4 | 1/2" | 1" |
| 6 | 1" | 1-1/2" |
| 8 | 1" | 1-1/2" |
| 9 | 1" | 1-1/2" |
| 12 | 1-1/2" | 2" |
| 15 | 1-1/2" | 2" |
| 18 | 1-1/2" | 2" |

| | | | |
|-----------------------------|-------------------------|-------------------------------------------------------------------------------------------------------------------------------------------------------------------------------------------------------------------------------------------------------------------------------|---------------------------------------------------------------------------------------|
| SYMBOL LEGEND | | DRAWINGS TO CONFORM TO CURRENT REVISION OF THE FOLLOWING ANSI STANDARDS: Y14.3 MULTI AND SECTIONAL VIEW DWGS Y14.5 DIMENSIONING AND TOLERANCING | |
| TOLERANCES NOT SPECIFIED | SOLID EDGE DRAWING | DO NOT SCALE DRAWING FOR DIMENSIONS | |
| 0.XXX ± .01 | | SHEET 5 OF 5 | SCALE 1:1 |
| 0.XXX ± .005 | AUTHOR ASoulek | | |
| ± .5 | | <small>CONFIDENTIAL DISCLOSURE</small> <small>This drawing is the property of POWEREX of the SCOTT FETTER COMPANY and is subject to return on demand. Its contents are confidential and must not be copied or submitted to outside parties for use or examination.</small> | |
| ITEM NO. 716004 | | | <small>150 PRODUCTION DRIVE, HARRISON OH 45030</small> <small>888-768-7079</small> |
| MATERIAL: SEE PART DRAWINGS | DRAWING NUMBER: MSPI5A5 | REVISION: B | SIZE: D |

