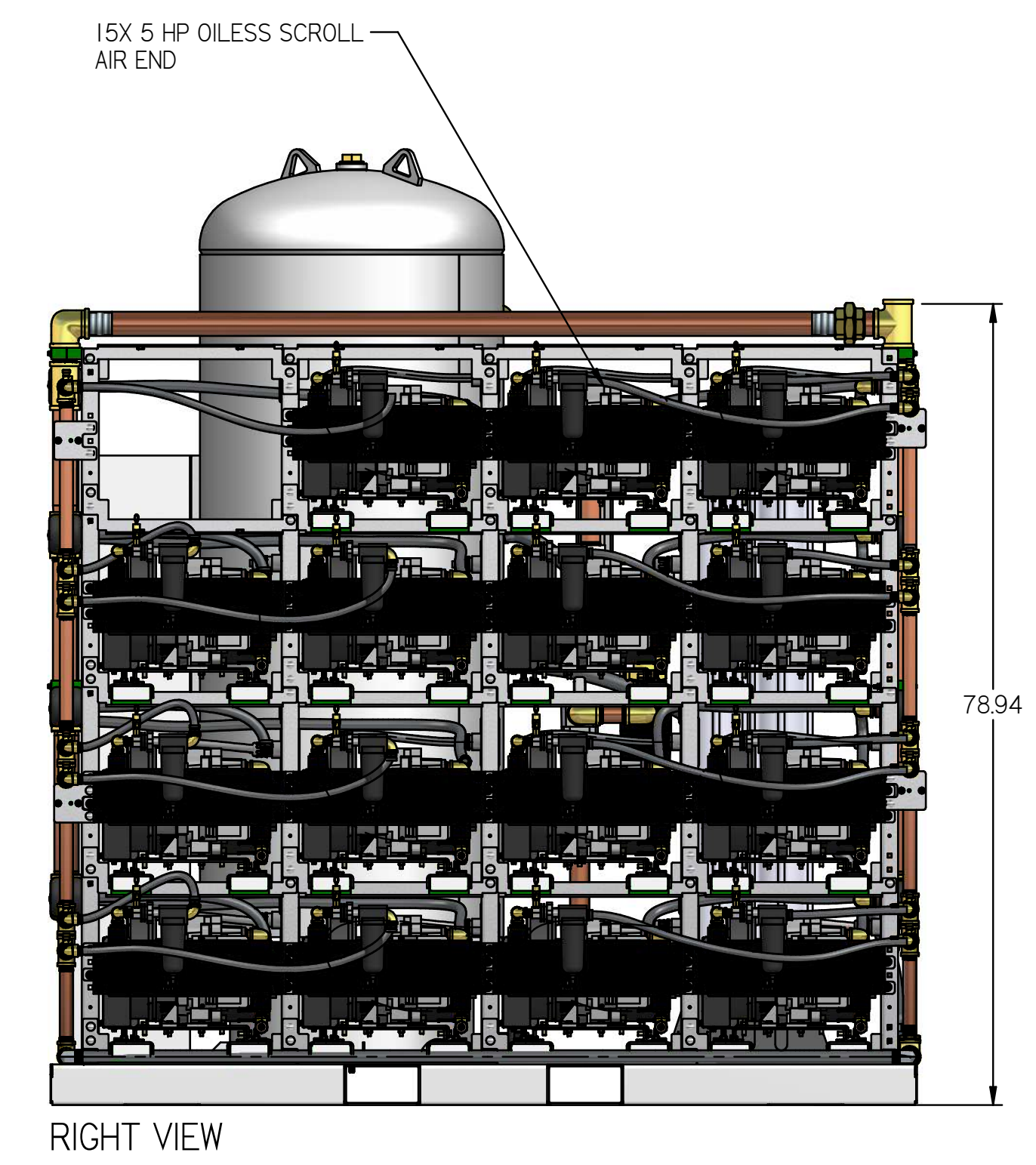
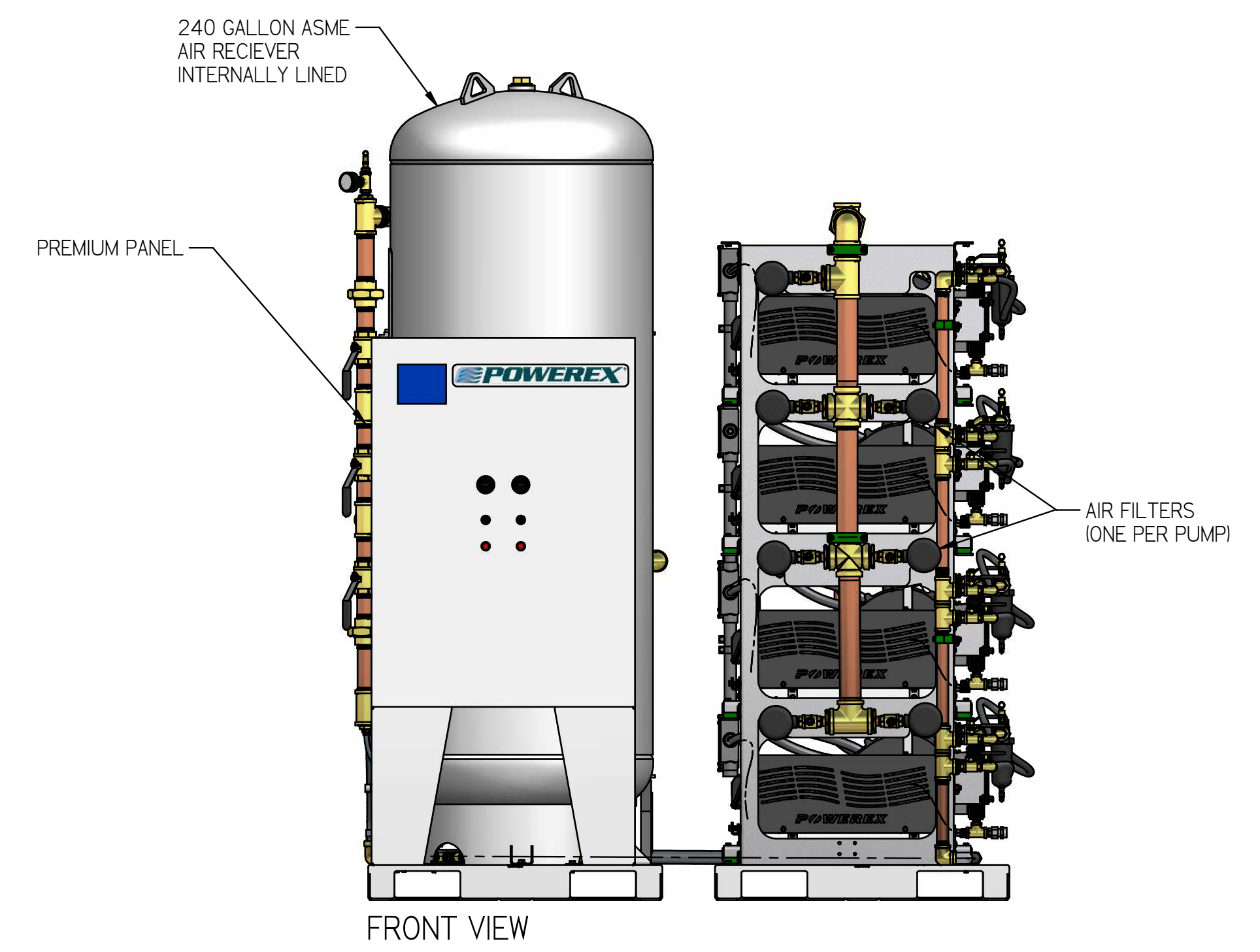
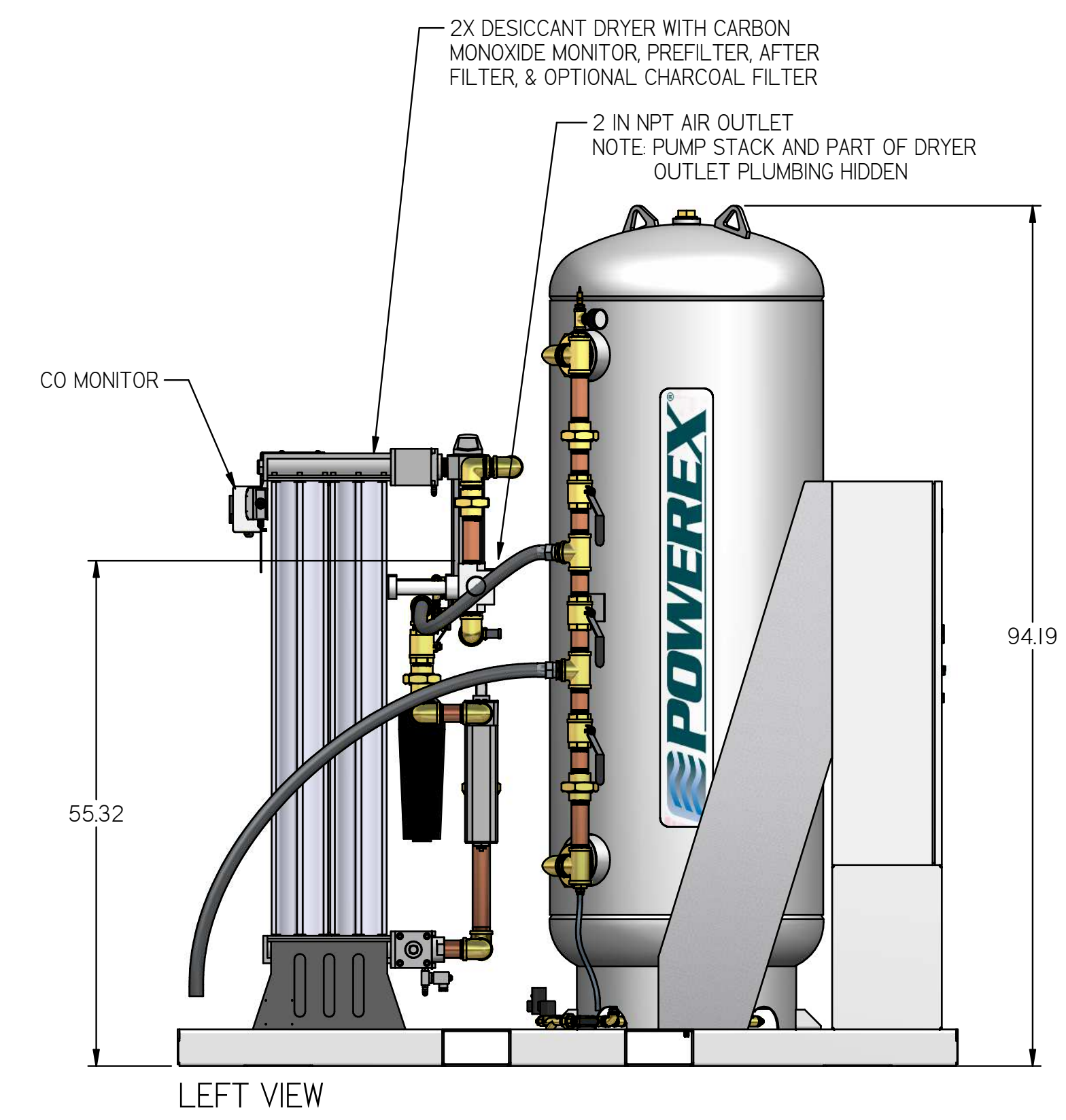
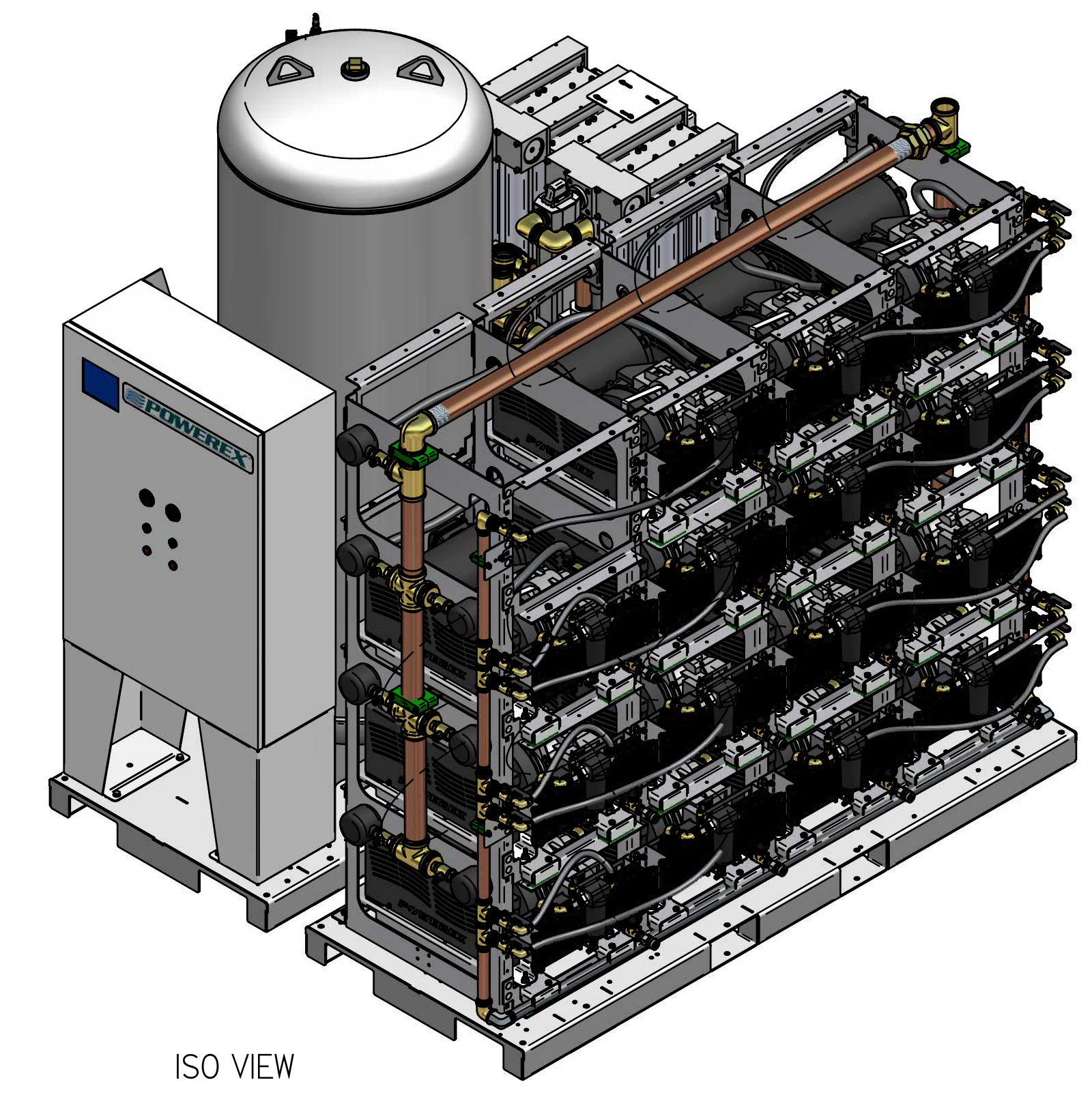
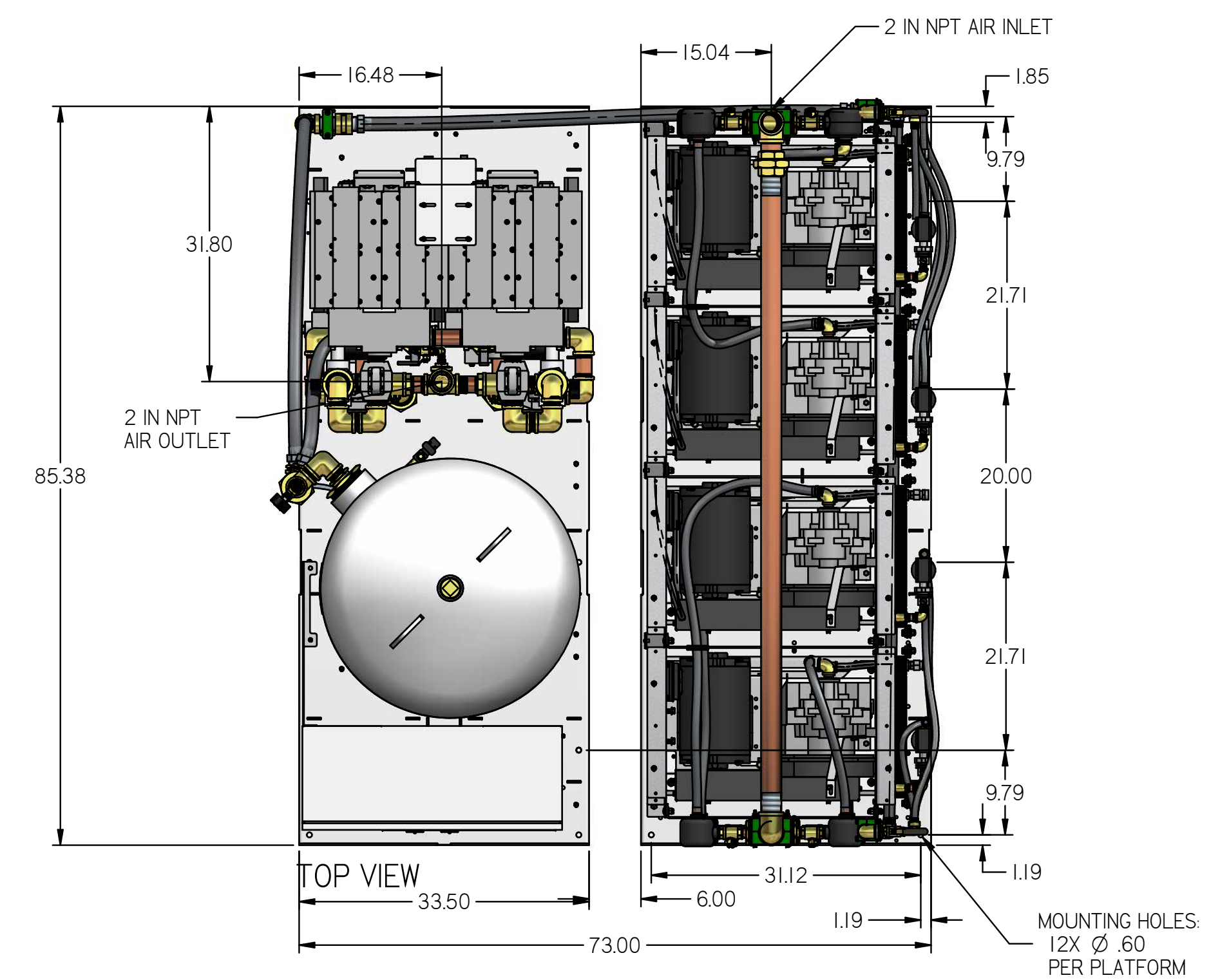


MSP15A6

MEDICAL SCROLL 15 HP
PENTAPLEX WITH 240
GALLON AIR RECIEVER
PREMIUM PANEL

REVISION NOTES		
DESCRIPTION	ECN	PR/NOR
PRODUCTION RELEASE	PXECO169	N/A



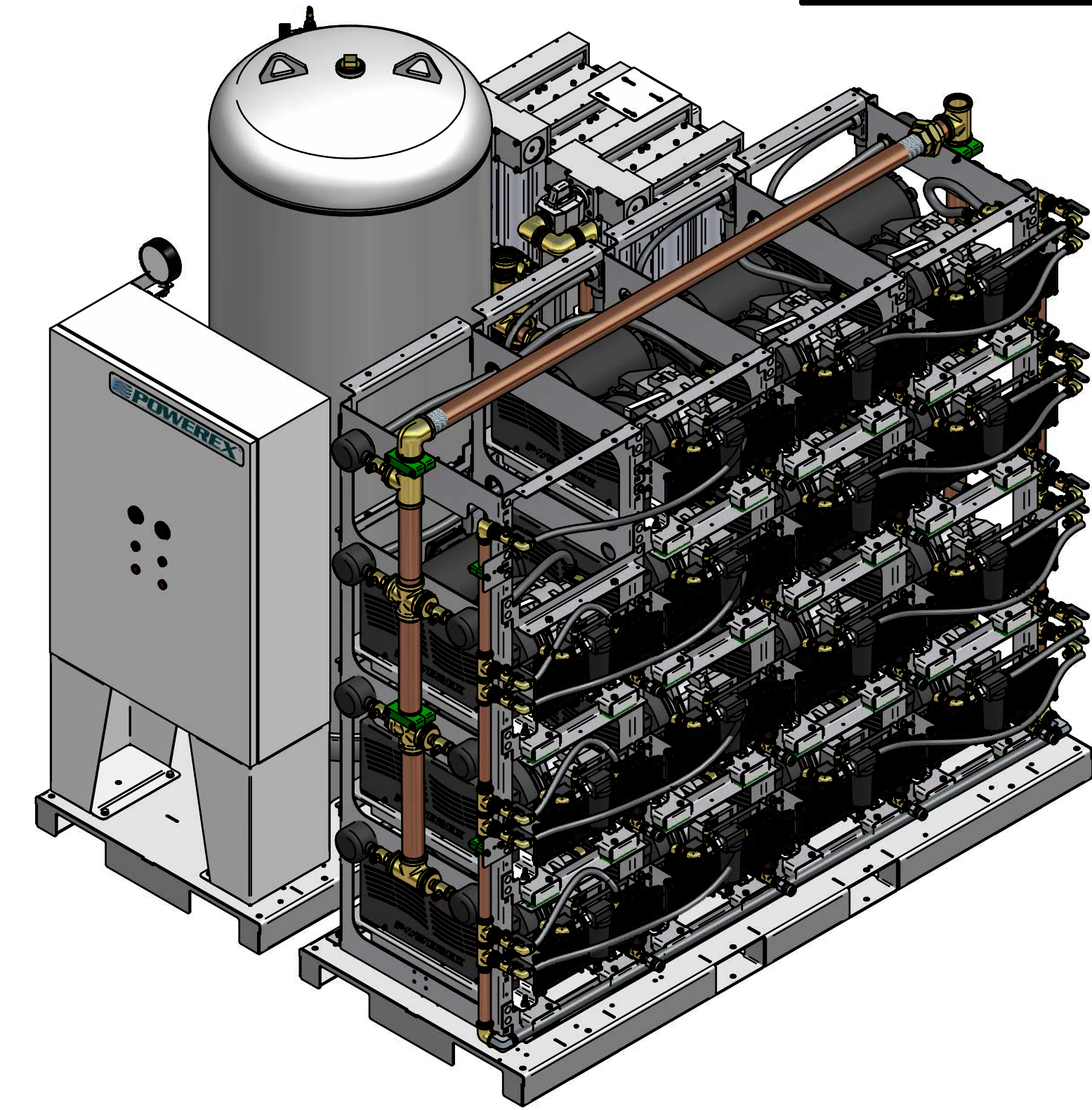
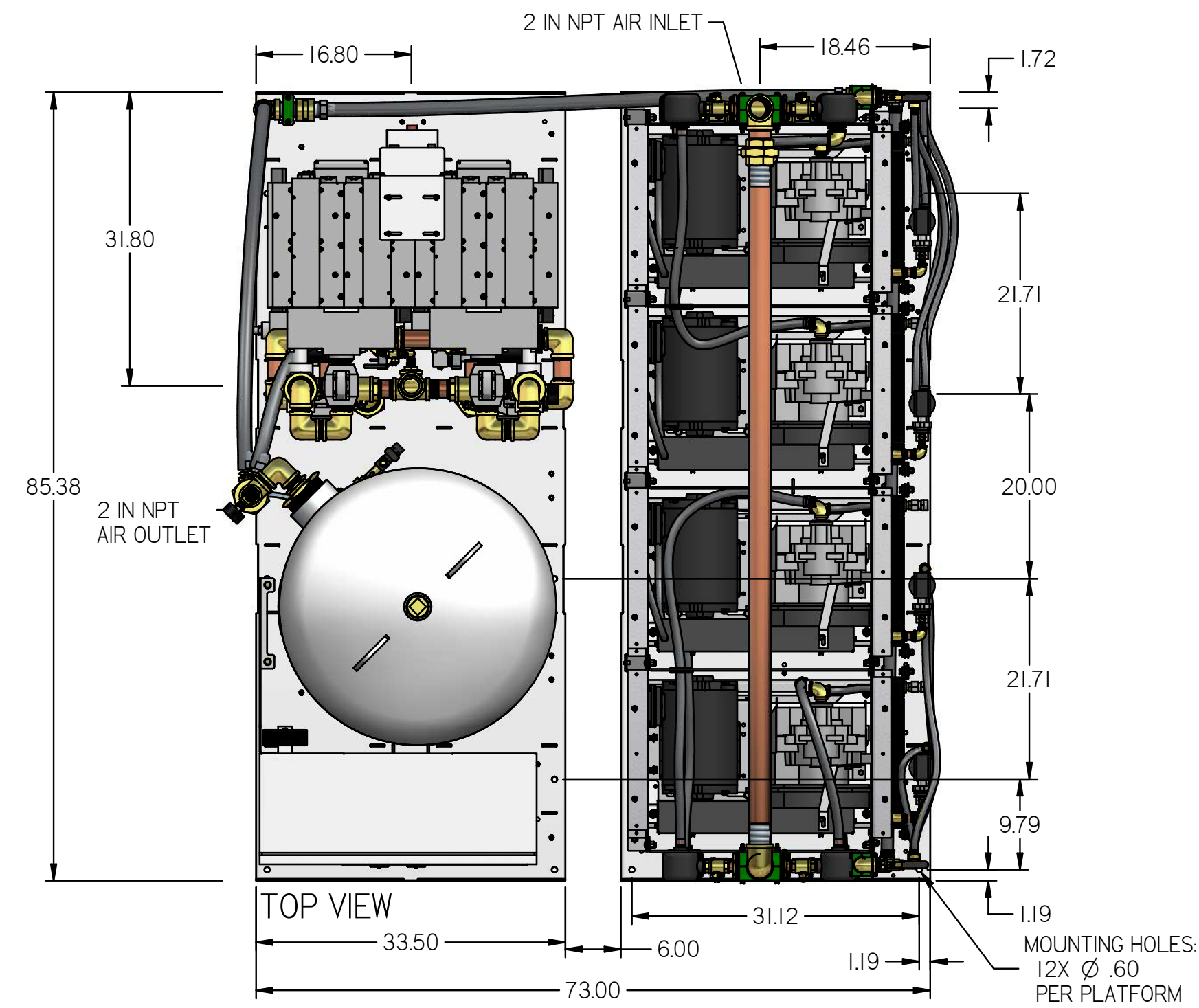
NOTES:
1. APPROX SYSTEM WEIGHT: 6648 LB
2. 24" MINIMUM MAINTENANCE CLEARANCE RECOMMENDED ALL SIDES. CLEARANCE FOR CONTROL PANEL SHALL BE IN ACCORDANCE WITH OSHA/NEC REQUIREMENTS

SYMBOL LEGEND		DRAWINGS TO CONFORM TO CURRENT REVISION OF THE FOLLOWING ANSI STANDARDS: Y14.3 MULTI AND SECTIONAL VIEW DIMS Y14.5 DIMENSIONING AND TOLERANCING	
TOLERANCES NOT SPECIFIED	SOLID EDGE DRAWING	DO NOT SCALE DRAWING FOR DIMENSIONS	
0.XXX ± .01	INCH	SHEET 1 OF 5	SCALE 1:14.29
0.XXX ± .005		APPROVALS ON FILE IN PLM	
CONFIDENTIAL DISCLOSURE This drawing is the property of POWEREX of the SCOTT FETTER COMPANY and is subject to return on demand. Its contents are confidential and must not be copied or submitted to outside parties for use or examination.		A Soulek	11/5/2018
ITEM NO: 715647			
MATERIAL: SEE PART DRAWINGS		150 PRODUCTION DRIVE, HARRISON OH 45030 888-768-7079	
DESCRIPTION: MEDICAL SCROLL 15 HP PENTAPLEX WITH 240 GALLON AIR RECIEVER		DRAWING NUMBER: MSP15A6	REVISION: B D

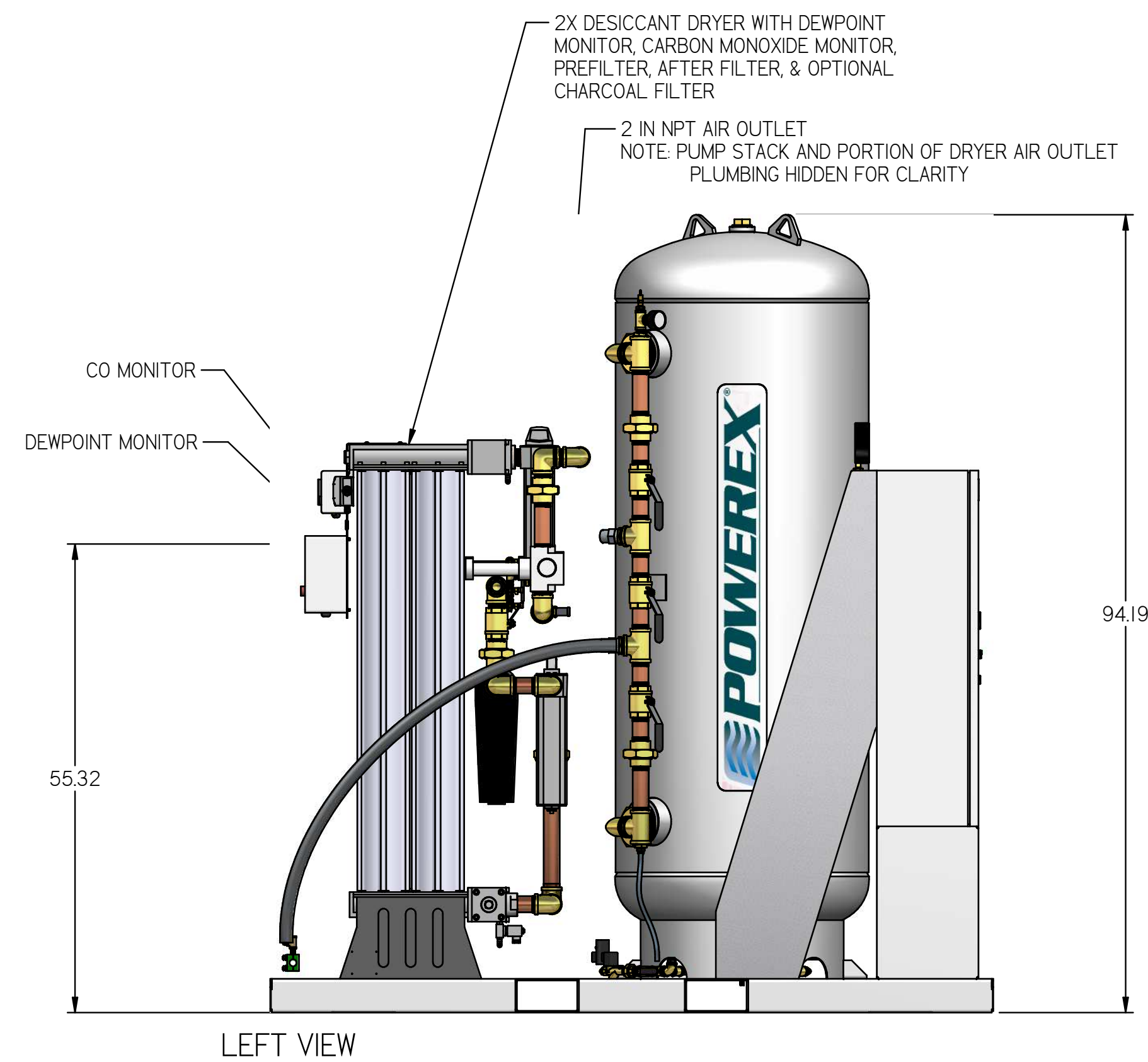
REVISION NOTES		
DESCRIPTION	ECN	PR/NOR
PRODUCTION RELEASE	PXECO169	N/A

MSP15A6

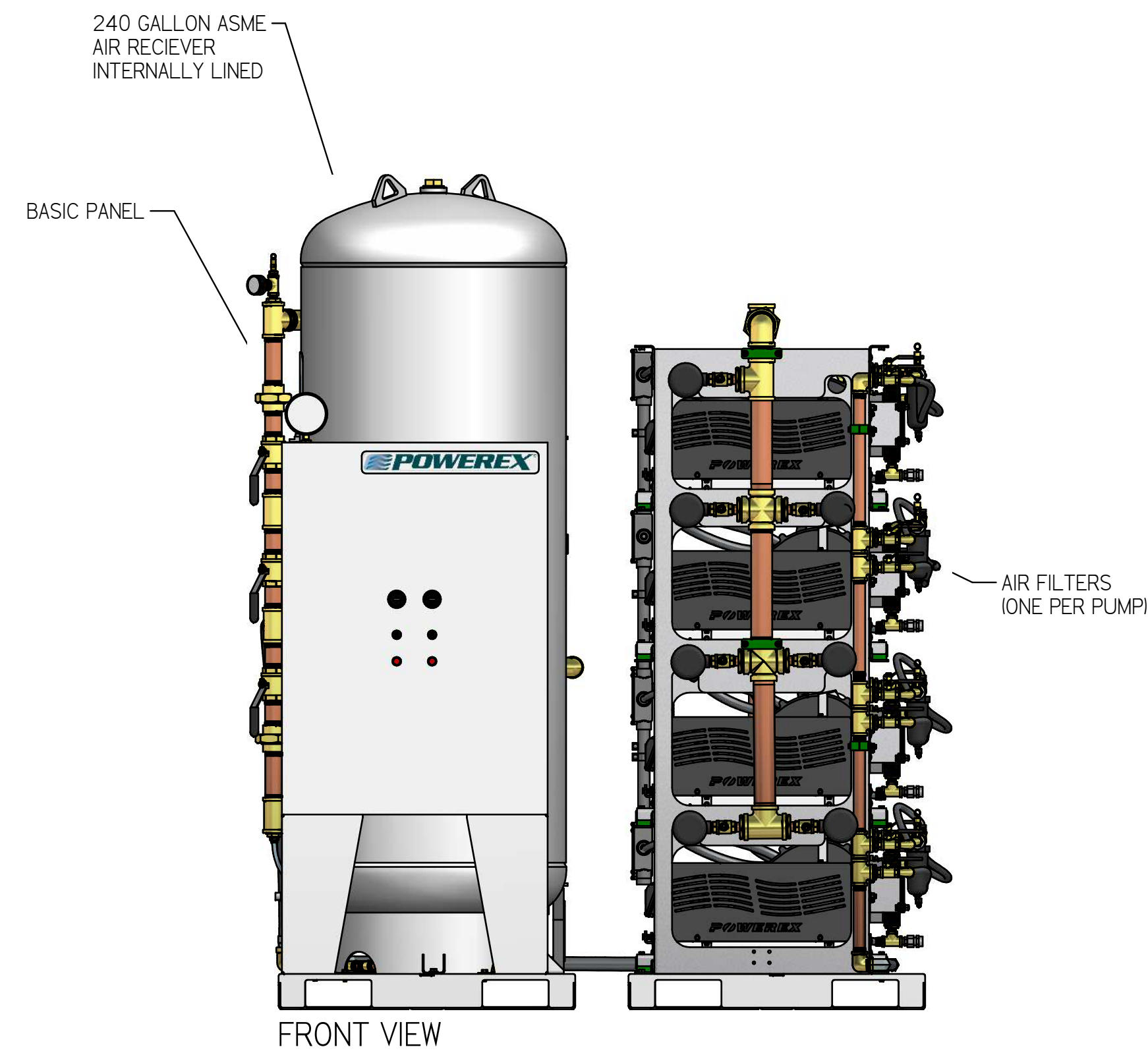
MEDICAL SCROLL 15 HP
PENTAPLEX WITH 240
GALLON AIR RECIEVER
BASIC PANEL



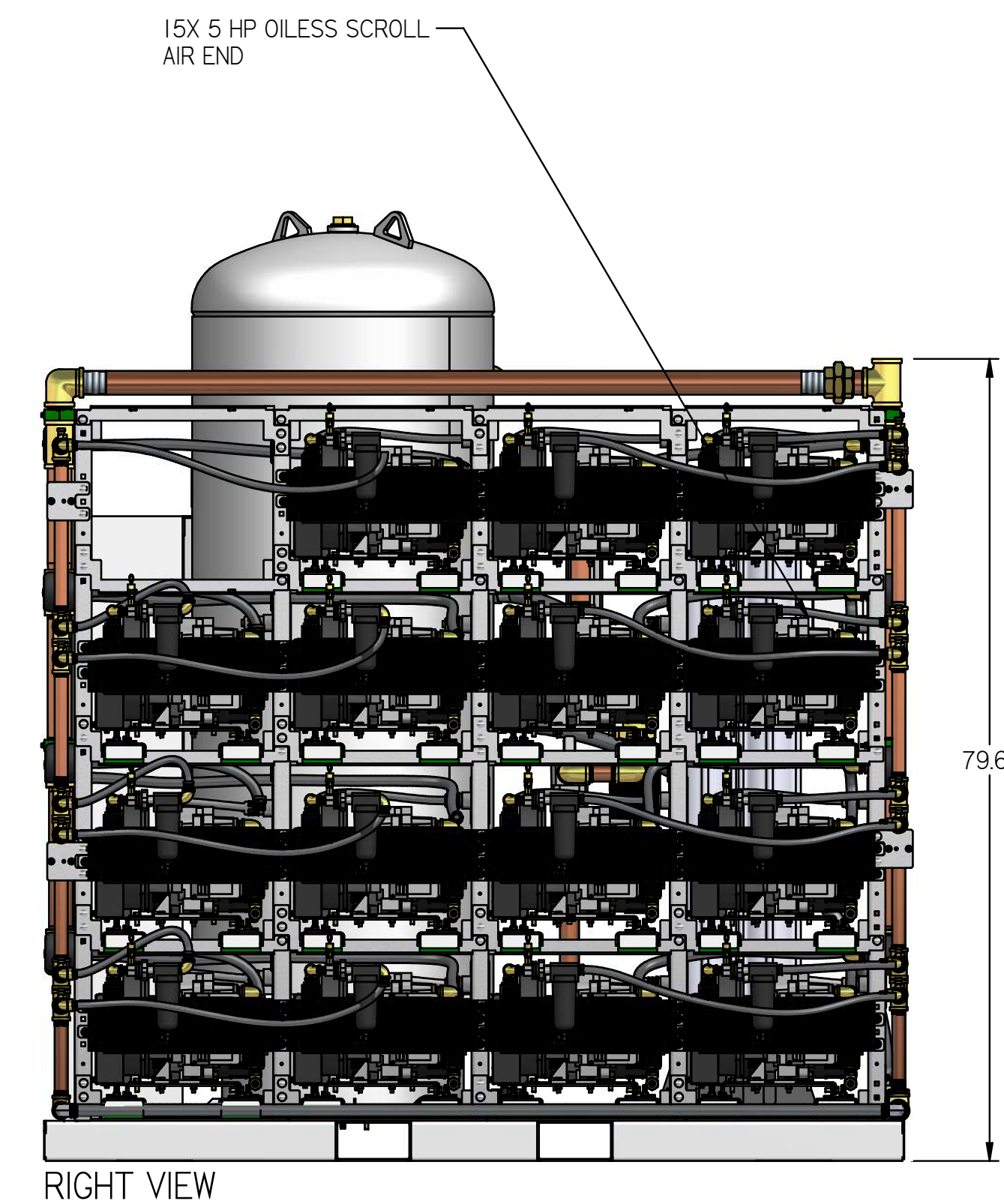
ISO VIEW



LEFT VIEW



FRONT VIEW



RIGHT VIEW

- NOTES:
- APPROX SYSTEM WEIGHT: 6648 LB
 - 24" MINIMUM MAINTENANCE CLEARANCE RECOMMENDED ALL SIDES. CLEARANCE FOR CONTROL PANEL SHALL BE IN ACCORDANCE WITH OSHA/NEC REQUIREMENTS

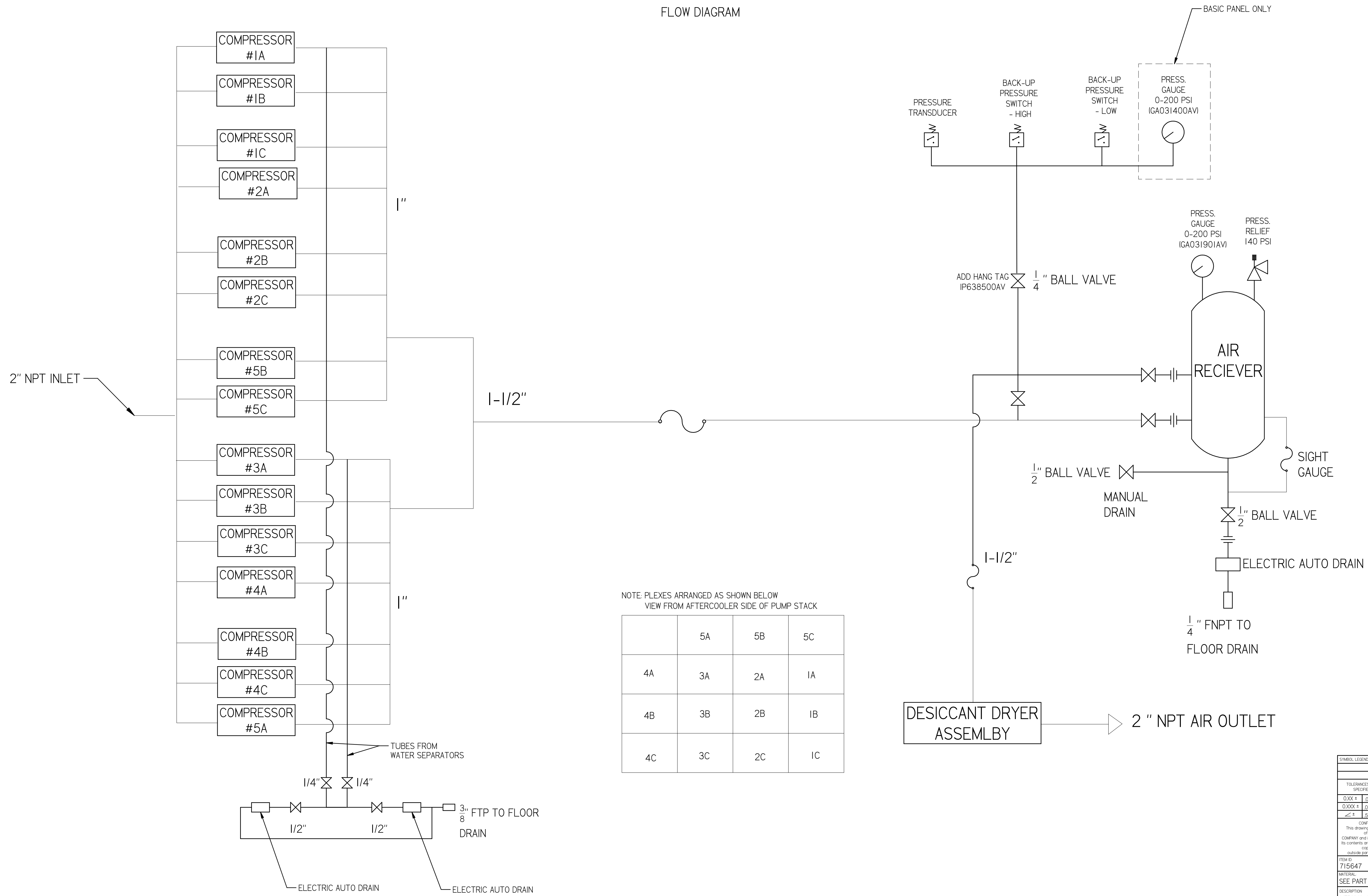
SYMBOL LEGEND		DRAWINGS TO CONFORM TO CURRENT REVISION OF THE FOLLOWING ANSI STANDARDS:	
TOLERANCES NOT SPECIFIED	SOLID EDGE DRAWING	1:4:3 MULTI AND SECTIONAL VIEW DIMS	1:4:3 DIMENSIONING AND TOLERANCING
0.XXX ± .01		DO NOT SCALE DRAWING FOR DIMENSIONS	
0.XXX ± .005		SHEET 2 OF 5	SCALE 1:14.29
± .5			
<small>CONFIDENTIAL DISCLOSURE</small> This drawing is the property of POWEREX of the SCOTT FETTER COMPANY and is subject to return on demand. Its contents are confidential and must not be copied or submitted to outside parties for use or examination.		AUTHOR	APPROVALS ON FILE IN PLM
TITLE: 715647 MATERIAL: SEE PART DRAWINGS		ASoulek	11/5/2018
DESCRIPTION: MEDICAL SCROLL 15 HP PENTAPLEX WITH 240 GALLON AIR RECIEVER		DRAWING NUMBER: MSP15A6	REVISION: B
		150 PRODUCTION DRIVE, HARRISON OH 45030 888-768-7079	SIZE: D



REVISION NOTES		
DESCRIPTION	ECN	PR/NOR
PRODUCTION RELEASE	PXEC0169	N/A

MSP15A6

MEDICAL SCROLL 15 HP
PENTAPLEX WITH 240
GALLON AIR RECIEVER
FLOW DIAGRAM



NOTE: PLEXES ARRANGED AS SHOWN BELOW
VIEW FROM AFTERCOOLER SIDE OF PUMP STACK

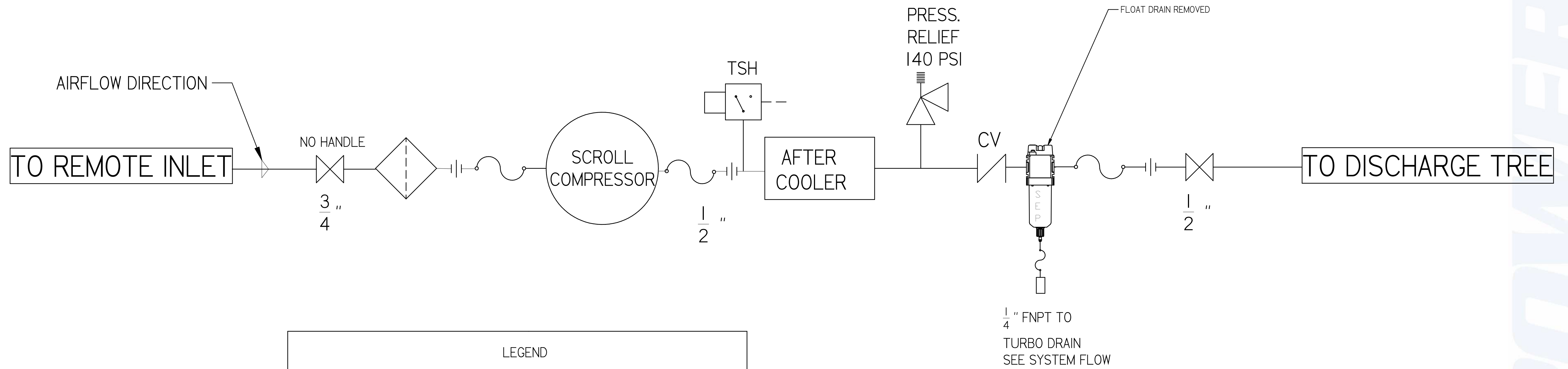
	5A	5B	5C
4A	3A	2A	1A
4B	3B	2B	1B
4C	3C	2C	1C

SYMBOL LEGEND		DRAWINGS TO CONFORM TO CURRENT REVISION OF THE FOLLOWING ANSI STANDARDS:	
		Y14.3 MULTI AND SECTIONAL VIEW DIMS	
		Y14.5 DIMENSIONING AND TOLERANCING	
TOLERANCES NOT SPECIFIED	SOLID EDGE DRAWING	DO NOT SCALE DRAWING FOR DIMENSIONS	
0.XXX ± .01	INCH	SHEET 3 OF 5	SCALE 1:1
0.XXX ± .005			
± .5			
<small>CONFIDENTIAL DISCLOSURE</small> This drawing is the property of POWEREX of the SCOTT FETTER COMPANY and is subject to return on demand. Its contents are confidential and must not be copied or submitted to outside parties for use or examination.		AUTHOR	APPROVALS ON FILE IN PLM
<small>CONFIDENTIAL DISCLOSURE</small> This drawing is the property of POWEREX of the SCOTT FETTER COMPANY and is subject to return on demand. Its contents are confidential and must not be copied or submitted to outside parties for use or examination.		ASoulek	11/5/2018
ITEM #: 715647 MATERIAL: SEE PART DRAWINGS			
DESCRIPTION: MEDICAL SCROLL 15 HP PENTAPLEX WITH 240 GALLON AIR RECIEVER		DRAWING NUMBER: MSP15A6	REVISION: B SIZE: D

REVISION NOTES		
DESCRIPTION	ECN	PR/NOR
PRODUCTION RELEASE	PXECO169	N/A

MSP15A6

MEDICAL SCROLL 15 HP
PENTAPLEX WITH 240
GALLON AIR RECIEVER



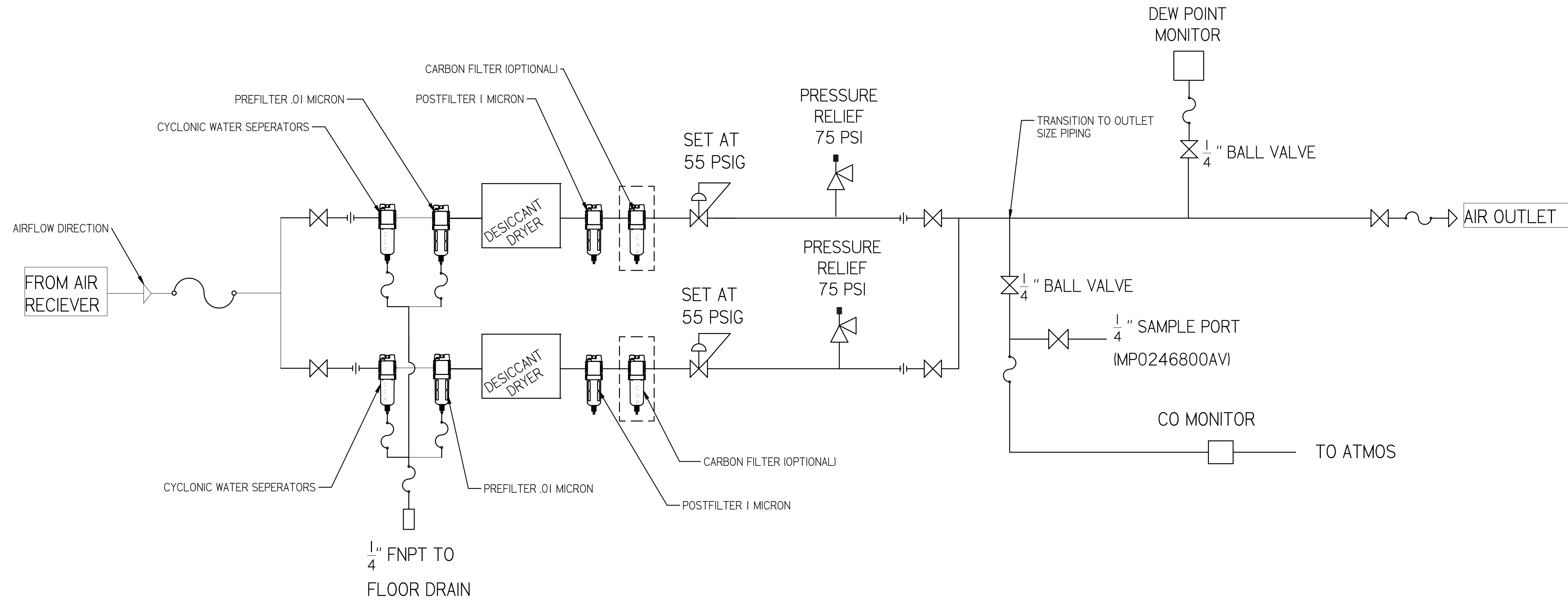
LEGEND	
	RELIEF VALVE
	INTAKE FILTER
	AIR FILTER
	3 WAY VALVE
	CARBON FILTER
	BALL VALVE
	PRESSURE SWITCH
	REGULATOR
	SEPARATOR
	CHECK VALVE
	FLEX LINE
	TSH HIGH TEMP SWITCH

SYMBOL LEGEND		DRAWINGS TO CONFORM TO CURRENT REVISION OF THE FOLLOWING ANSI STANDARDS:	
		Y14.3 MULTI AND SECTIONAL VIEW DIMS	
		Y14.5 DIMENSIONING AND TOLERANCING	
TOLERANCES NOT SPECIFIED:	SOLID EDGE DRAWING	DO NOT SCALE DRAWING FOR DIMENSIONS	
0.001 ± .01			
0.005 ± .005	INCH	SHEET 4 OF 5	SCALE 1:1
CONFIDENTIAL DISCLOSURE: This drawing is the property of POWEREX of the SCOTT FETTER COMPANY and is subject to return on demand. Its contents are confidential and must not be copied or submitted to outside parties for use or examination.		AUTHOR	APPROVALS ON FILE IN PLM
		ASoulek	11/5/2018
ITEM NO: 715647			
MATERIAL: SEE PART DRAWINGS		150 PRODUCTION DRIVE, HARRISON OH 45030 888-768-7079	
DESCRIPTION: MEDICAL SCROLL 15 HP PENTAPLEX WITH 240 GALLON AIR RECIEVER		DRAWING NUMBER: MSP15A6	REVISION: B D

REVISION NOTES		
DESCRIPTION	ECN	PR/NOR
PRODUCTION RELEASE	PXECO169	N/A

MSP15A6

MEDICAL SCROLL 15 HP
PENTAPLEX WITH 240
GALLON AIR RECIEVER



PIPE SIZE CHART		
PUMP COUNT	DRYER PLUMBING SIZE	OUTLET PIPE SIZE
2	1/2"	1/2"
3	1/2"	1"
4	1/2"	1"
6	1"	1-1/2"
8	1"	1-1/2"
9	1"	1-1/2"
12	1-1/2"	2"
15	1-1/2"	2"
18	1-1/2"	2"

SYMBOL LEGEND		DRAWINGS TO CONFORM TO CURRENT REVISION OF THE FOLLOWING ANSI STANDARDS: Y14.3 MULTI AND SECTIONAL VIEW DWGS Y14.5 DIMENSIONING AND TOLERANCING	
TOLERANCES NOT SPECIFIED	SOLID EDGE DRAWING	DO NOT SCALE DRAWING FOR DIMENSIONS	
0.XXX ± .01		SHEET 5 OF 5	SCALE 1:1
0.XXX ± .005	AUTHOR		
± .5		ASoulek	11/5/2018
<small>CONFIDENTIAL DISCLOSURE</small> <small>This drawing is the property of POWEREX of the SCOTT FETTER COMPANY and is subject to return on demand. Its contents are confidential and must not be copied or submitted to outside parties for use or examination.</small>			
<small>ITEM NO:</small> 715647 <small>MATERIAL:</small> SEE PART DRAWINGS		<small>DRAWING NUMBER:</small> MSP15A6 <small>REVISION:</small> B <small>SIZE:</small> D	
<small>DESCRIPTION:</small> MEDICAL SCROLL 15 HP PENTAPLEX WITH 240 GALLON AIR RECIEVER		<small>150 PRODUCTION DRIVE, HARRISON OH 45030</small> <small>888-768-7079</small>	