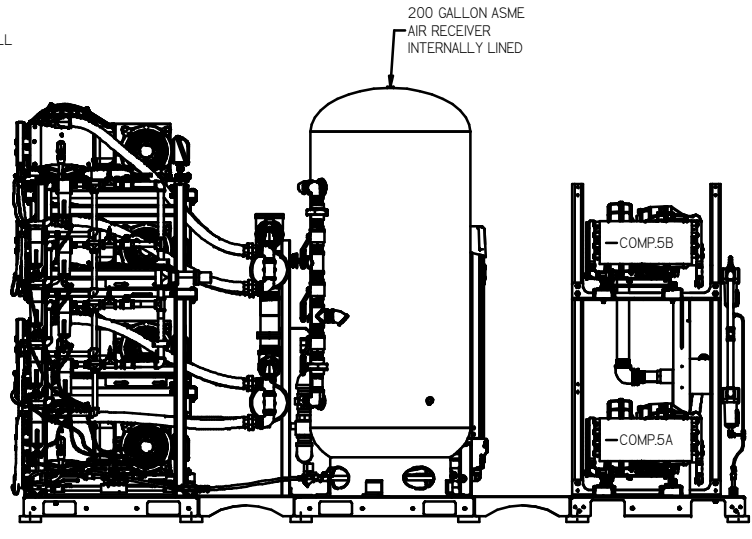
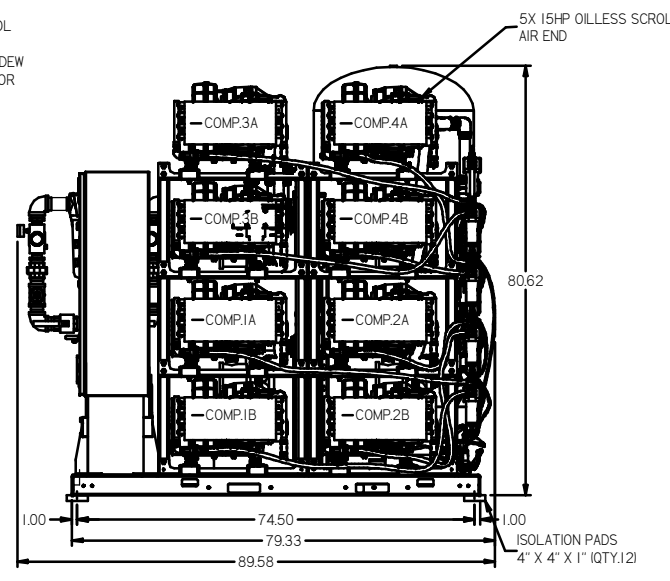
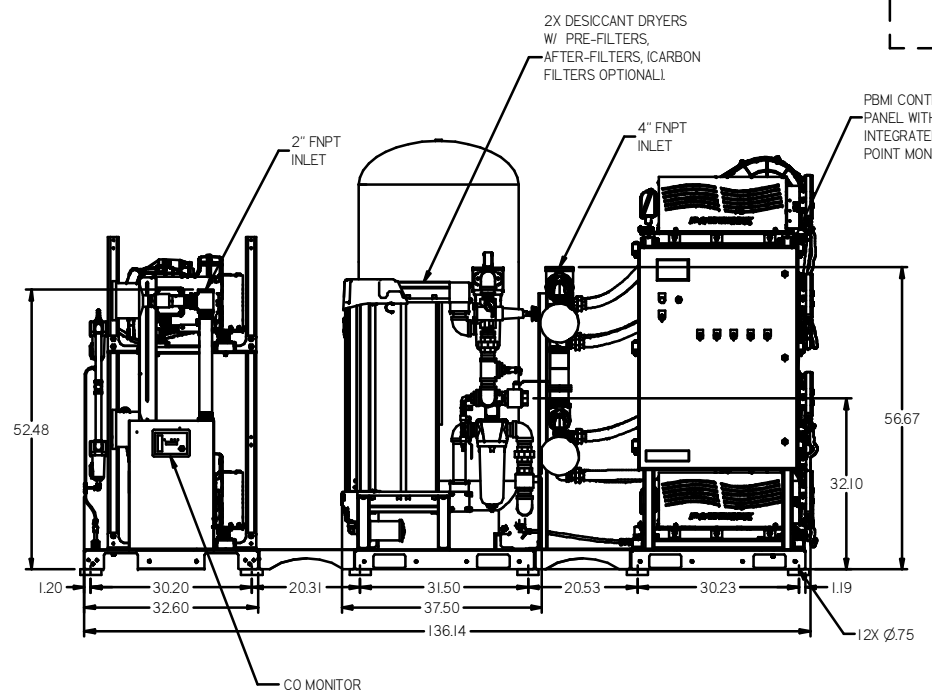
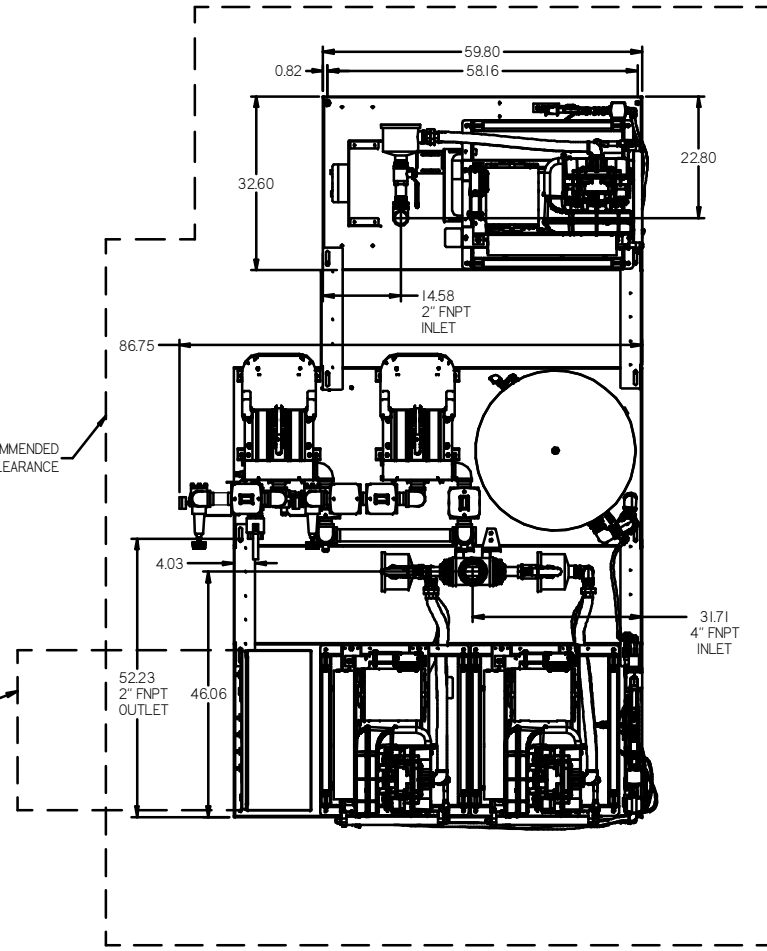


8 7 6 5 4 3 2 1

REV	ZONE	REVISION	DATE	EN	NAME	CHKD
B	ALL	RELEASE TO PRODUCTION	7/25/18	RES	GES	MAH

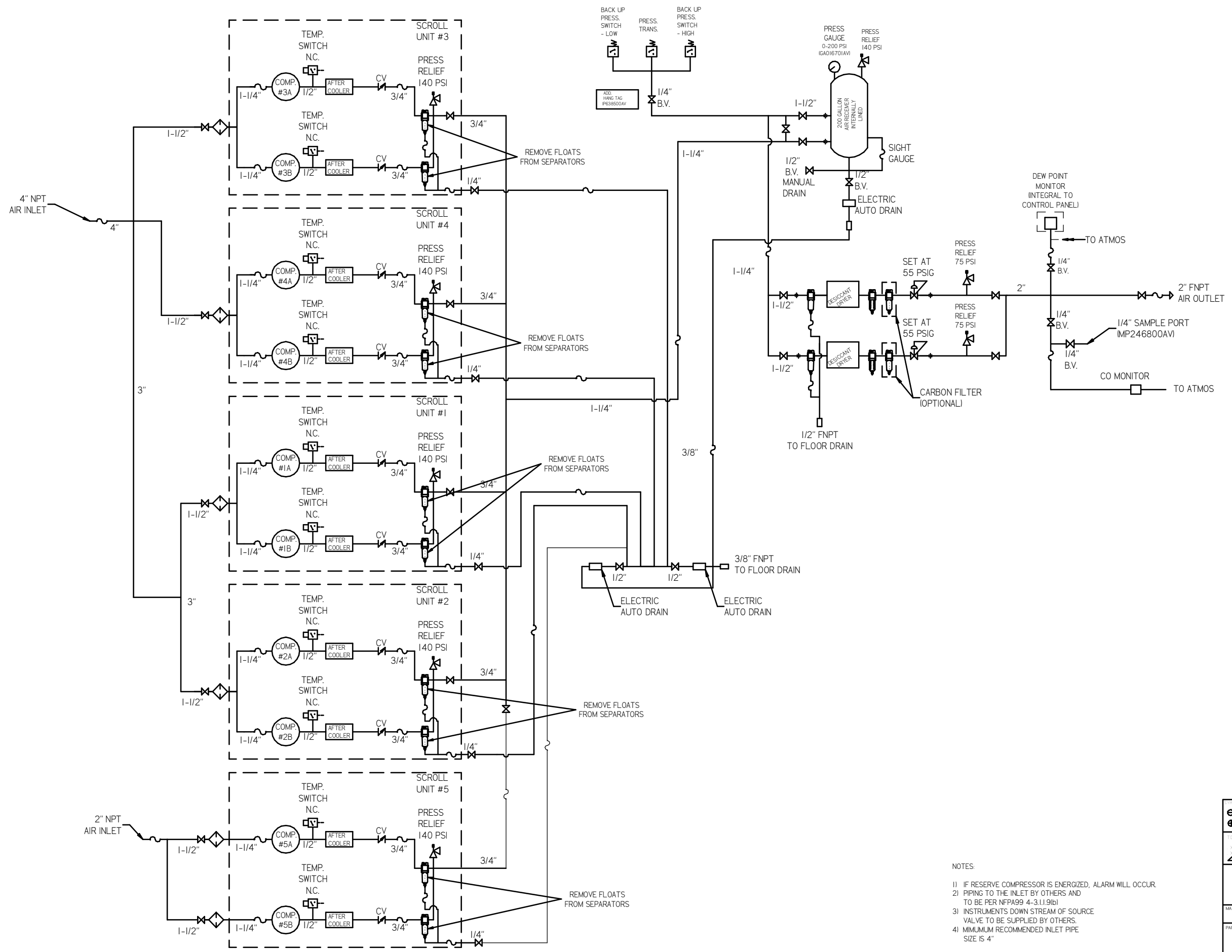


NOTE: SYSTEM DESIGNED IN COMPLIANCE WITH US NFPA99, LATEST EDITION.

<b>SYMBOL LEGEND</b> ⊖ = MINUS DRAFT ⊕ = PLUS DRAFT ⊕ = ADDITIONAL CONTROL REQ'D ⊕ = BRINELL HARDNESS		Drawings to conform to the current revision of the following ANSI standards: Y14.3 Multi and sectional view dgs. Y14.9 Dimensioning and tolerancing	
TOLERANCES NOT SPECIFIED XX ± XXX ± Z (REG.) ±		AUTOCAD SE 10 <b>INCH</b> DO NOT SCALE DRAWING FOR DIMENSIONS Sheet 1 of 2 SCALE 1:14	
CONFIDENTIAL DISCLOSURE This drawing is the property of POWEREX, INC. of the SCOTT FETZER COMPANY and subject to return on demand. Its contents are confidential and must not be copied or submitted to outside parties for use or reproduction.		DRAWN BY: GES CHECKED BY: MAH APPROVED BY: RES DATE: 7/25/18 DATE: 7/25/18 DATE: 7/25/18 DATE: 7/25/18	
MATERIAL: N/A			
PART NAME: 15HP SCROLL PENTAPLEX 200GAL DUAL DESICCANT		ENG NO: MSP15B5 SIZE: D	

8 7 6 5 4 3 2 1

REV	ZONE	REVISION	DATE	ECN	NAME	CHKD
1	ALL	RELEASE TO PRODUCTION	7/25/18		GES	MAH



LEGEND

	RELIEF VALVE		PRESSURE SWITCH
	INTAKE FILTER		REGULATOR
	AIR FILTER		SEPARATOR
	CARBON FILTER		CHECK VALVE
	BALL VALVE		FLEX LINE
			HIGH TEMP SWITCH
			UNION

TOLERANCES NOT SPECIFIED XX ± .005 XXX ± .0025 2 (REG) ± .0015	AUTOCAD SE10 INCH	DO NOT SCALE DRAWING FOR DIMENSIONS Sheet 2 of 2 SCALE N/A
DATE: 7/25/18 DRAWN BY: GES MATERIAL: N/A	CHECKED BY: MAH DATE: 7/25/18	APPROVED BY: GES DATE: 7/25/18 MATERIAL: P/J
PART NAME: SCROLL PENTAPLEX 15HP FLOW SCHEMATIC		SIZE: D

- NOTES:
- 1) IF RESERVE COMPRESSOR IS ENERGIZED, ALARM WILL OCCUR.
  - 2) PIPING TO THE INLET BY OTHERS AND TO BE PER NFPA99 4-3.11.9(b)
  - 3) INSTRUMENTS DOWN STREAM OF SOURCE VALVE TO BE SUPPLIED BY OTHERS.
  - 4) MINIMUM RECOMMENDED INLET PIPE SIZE IS 4"