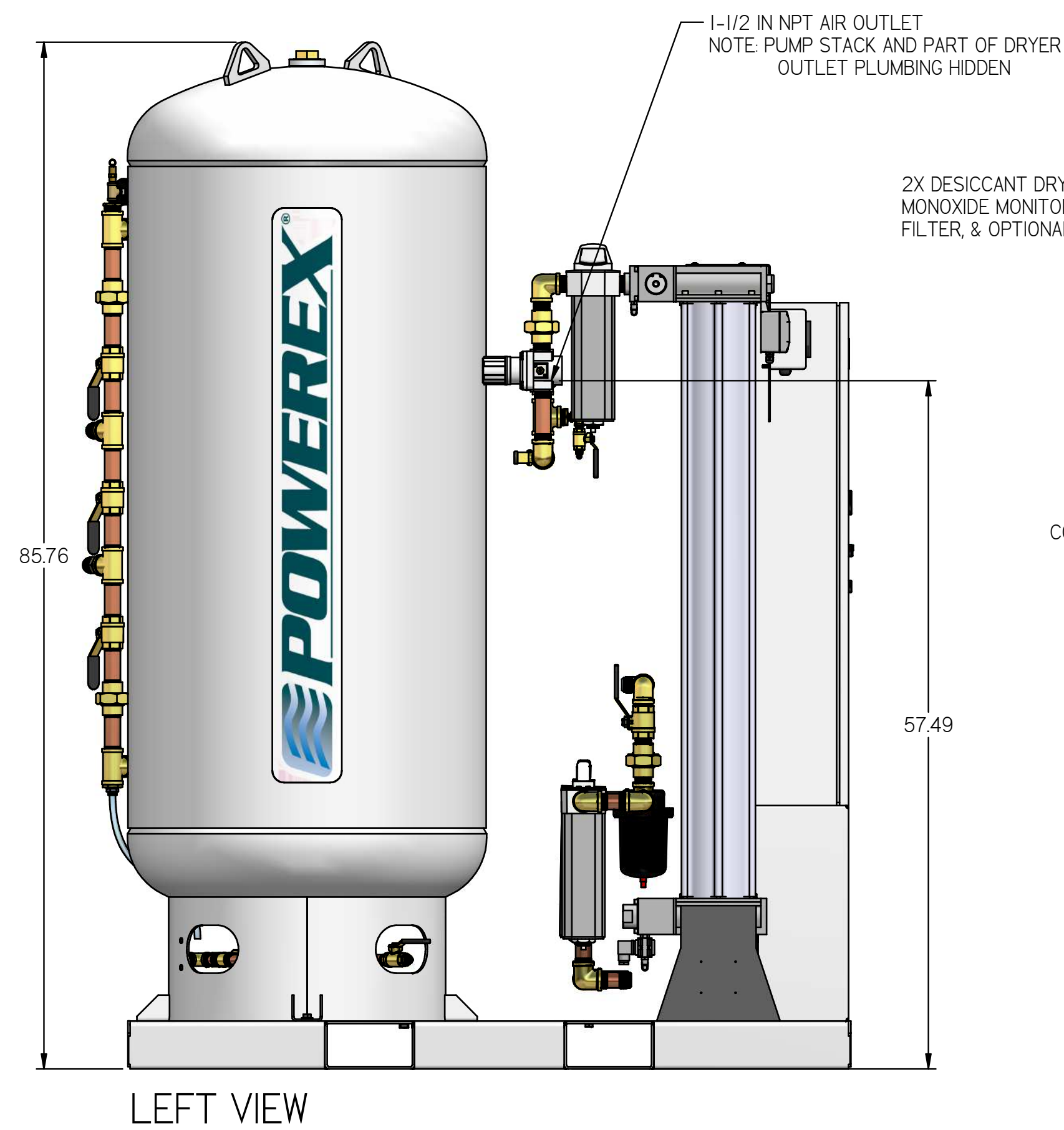
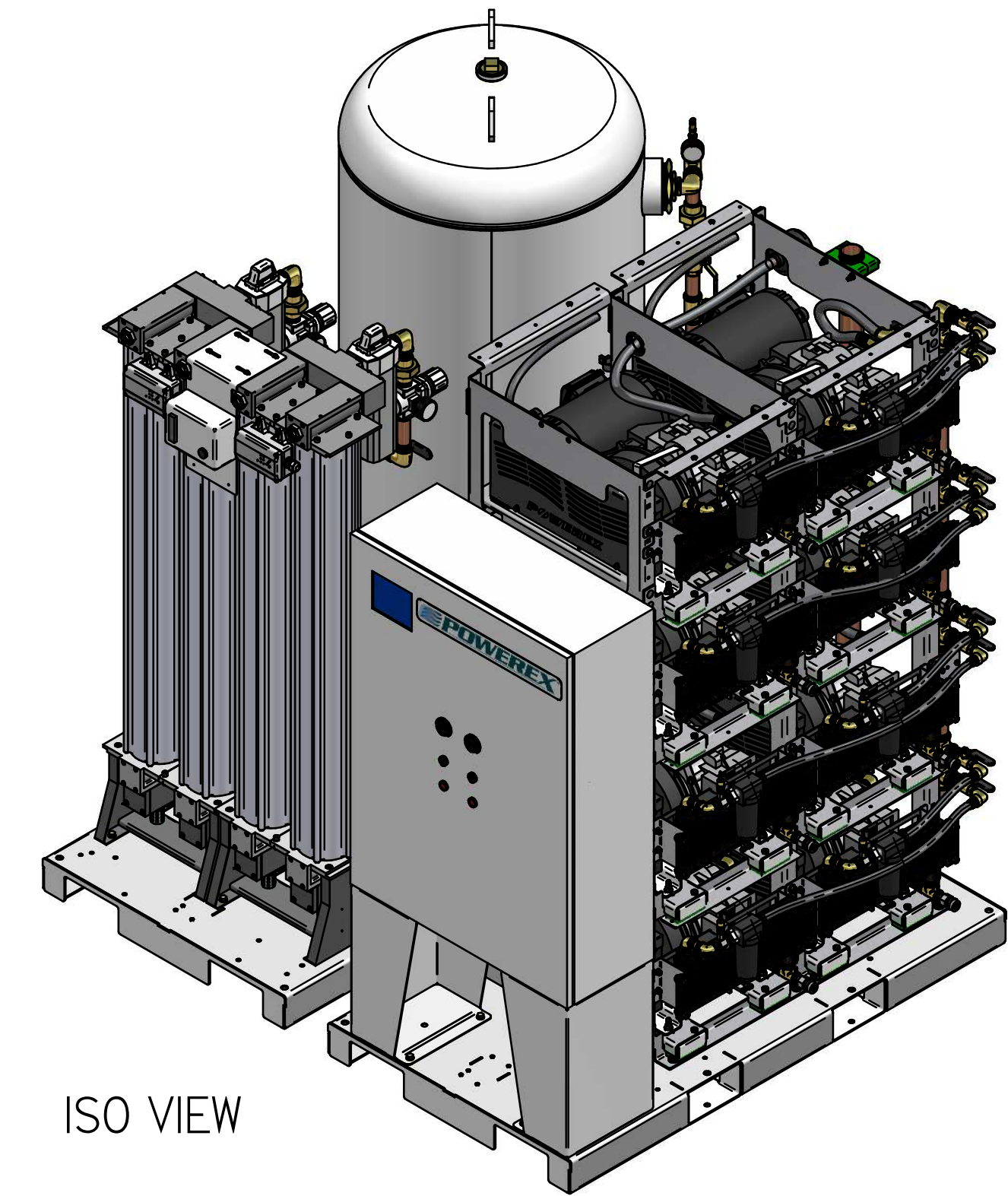
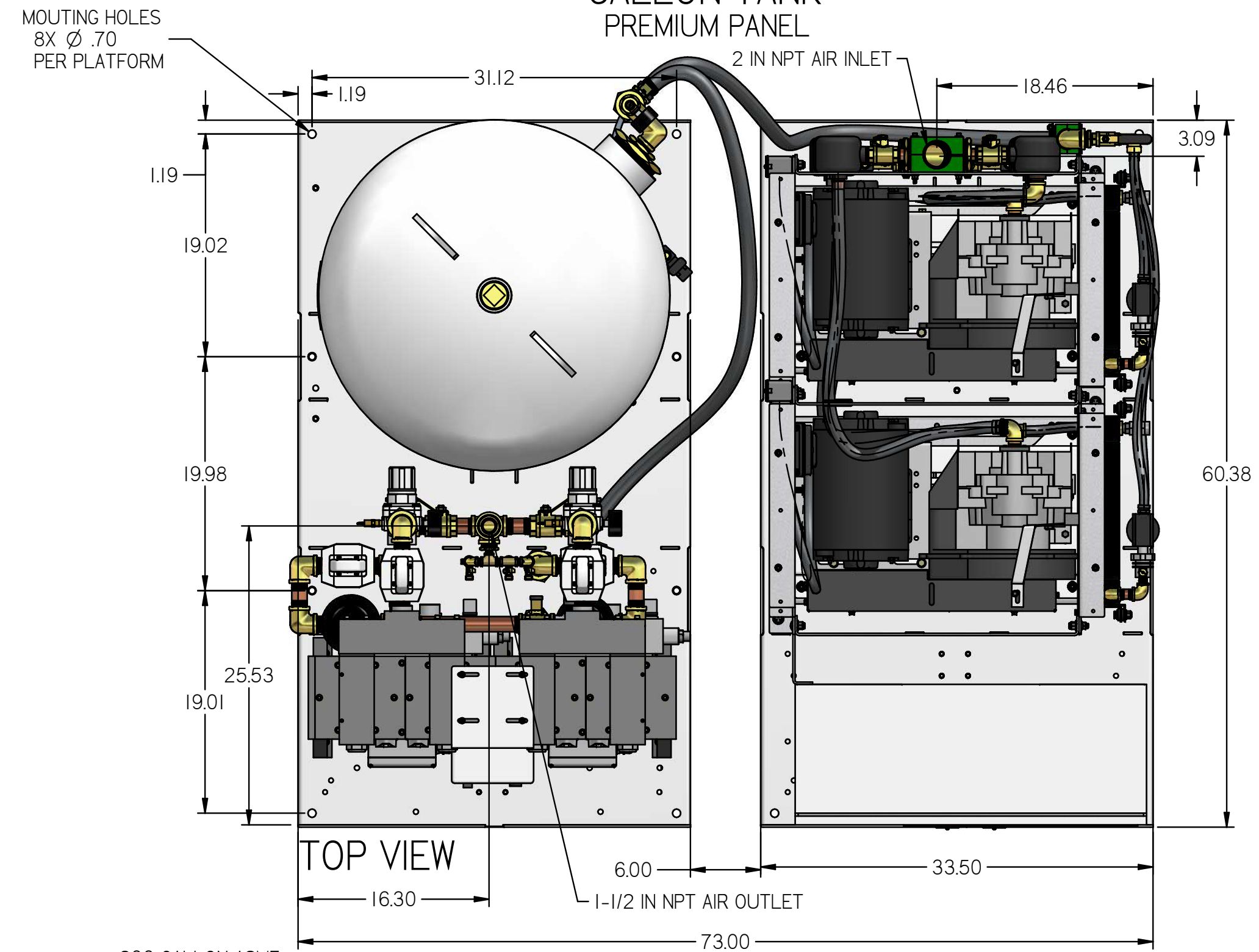


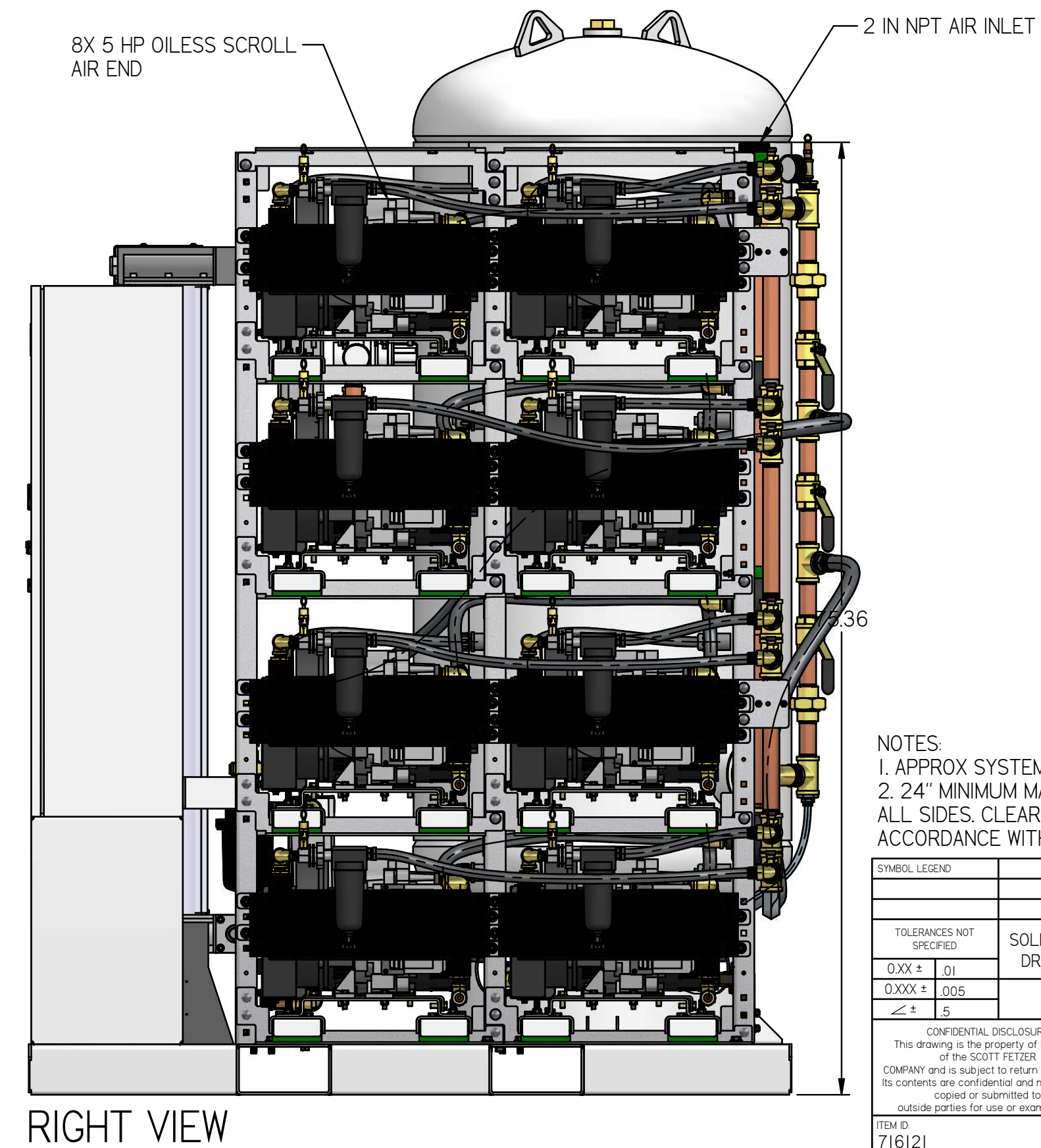
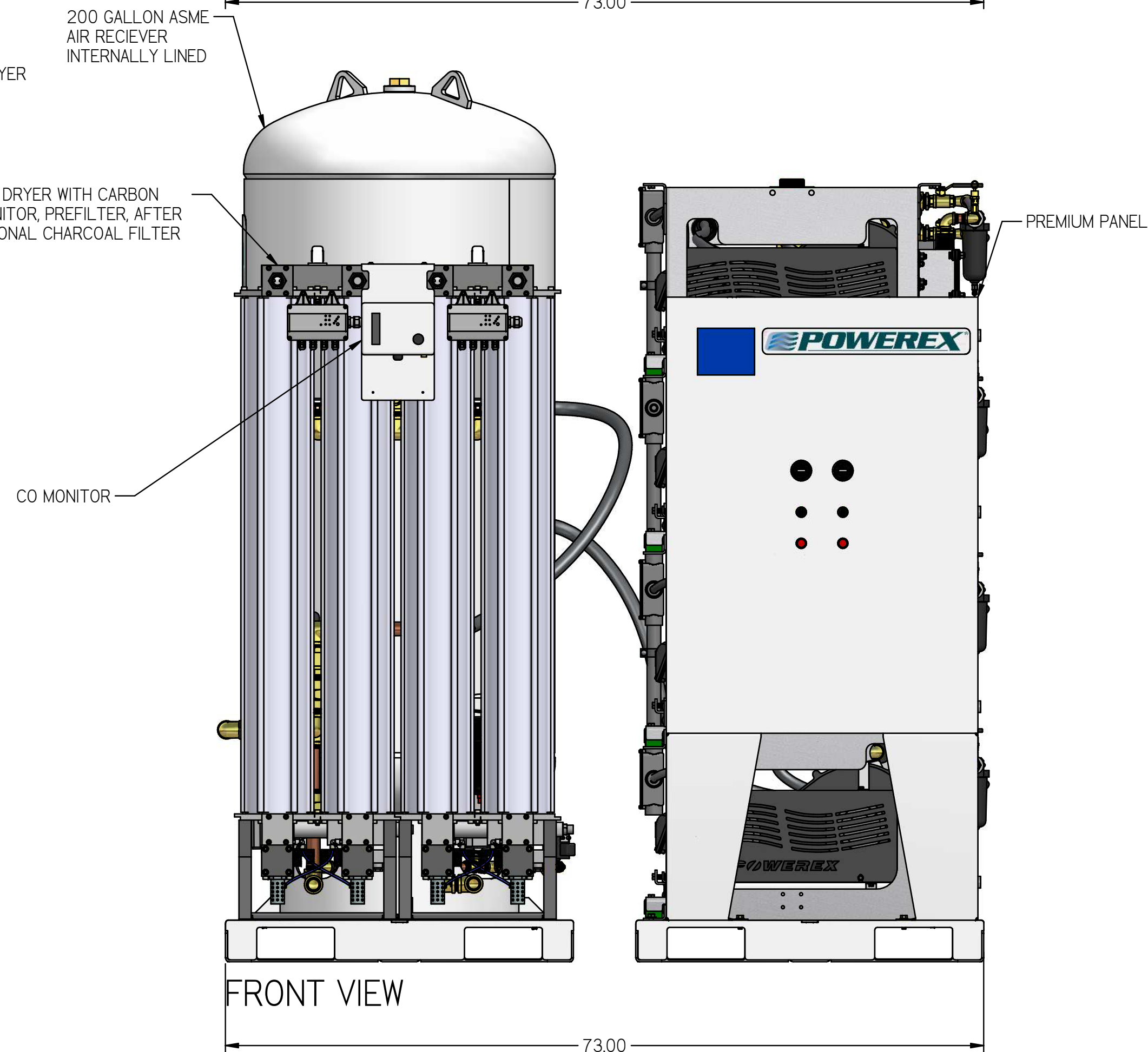
REVISION NOTES		
DESCRIPTION	ECN	PR/NOR
PRODUCTION RELEASE	PXECO169	N/A

# MSQ10A5

MEDICAL OPEN SCROLL 10  
HP QUADPLEX WITH 200  
GALLON TANK  
PREMIUM PANEL



2X DESICCANT DRYER WITH CARBON MONOXIDE MONITOR, PREFILTER, AFTER FILTER, & OPTIONAL CHARCOAL FILTER



- NOTES:
- APPROX SYSTEM WEIGHT: 3786 LB
  - 24" MINIMUM MAINTENANCE CLEARANCE RECOMMENDED ALL SIDES. CLEARANCE FOR CONTROL PANEL SHALL BE IN ACCORDANCE WITH OSHA/NEC REQUIREMENTS

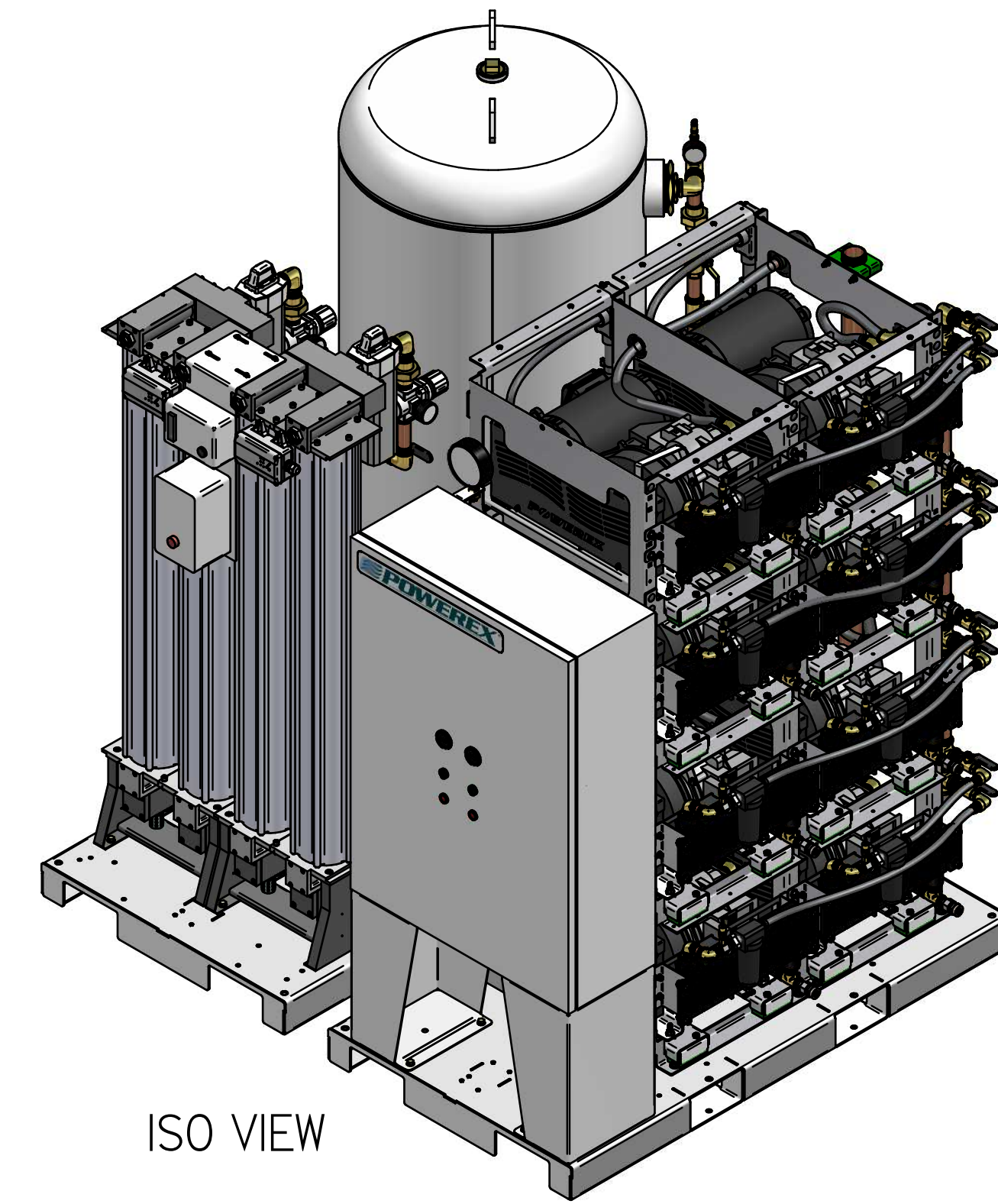
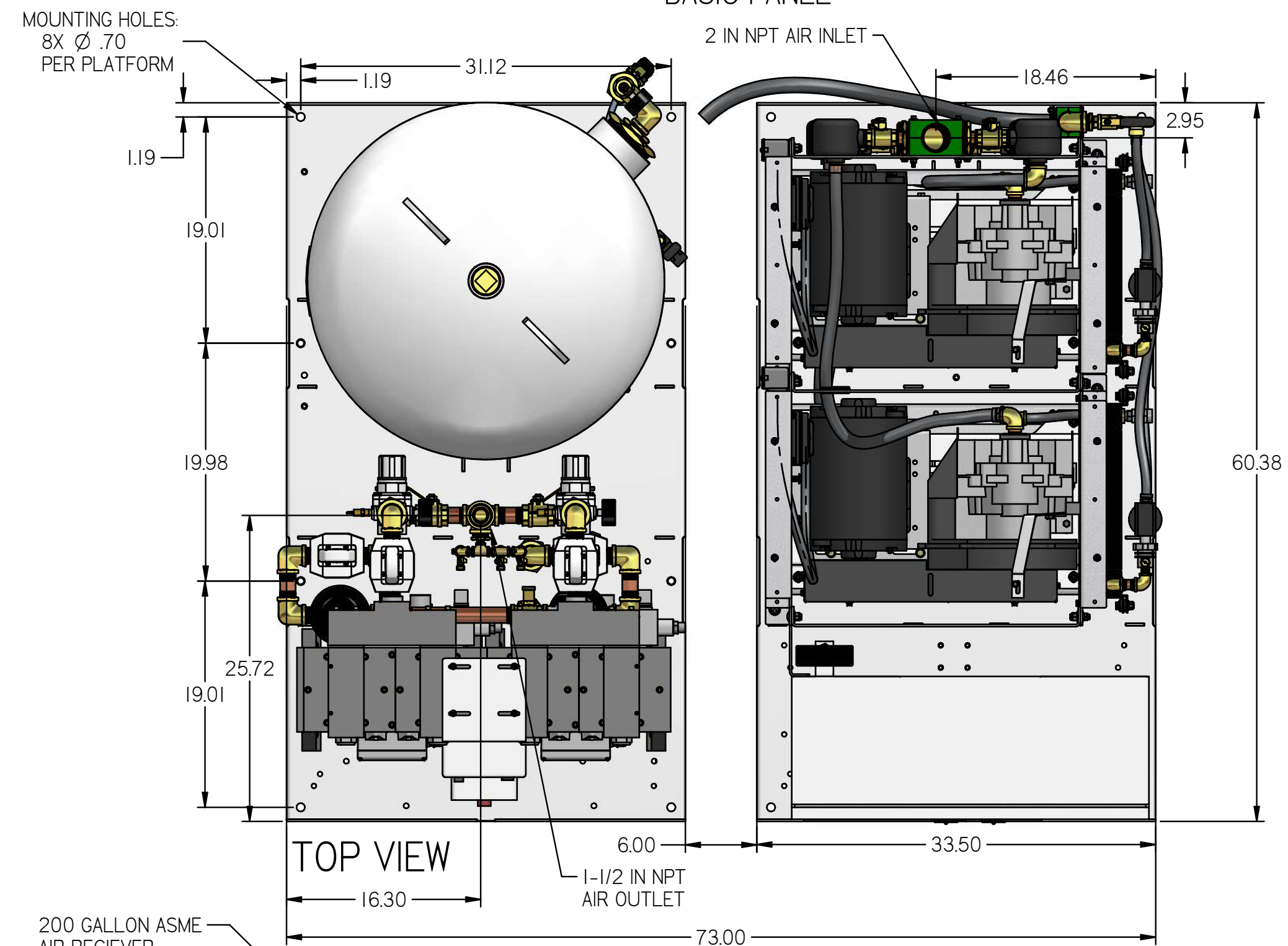
SYMBOL LEGEND		DRAWINGS TO CONFORM TO CURRENT REVISION OF THE FOLLOWING ANSI STANDARDS:		
TOLERANCES NOT SPECIFIED	SOLID EDGE DRAWING	Y14.3 MULTI AND SECTIONAL VIEW DIMS	Y14.5 DIMENSIONING AND TOLERANCING	
0.00X ± .01	DRAWING	INCH	DO NOT SCALE DRAWING FOR DIMENSIONS	
0.00X ± .005			SHEET 1 OF 5	SCALE 1:10
<small>CONFIDENTIAL DISCLOSURE</small> This drawing is the property of POWEREX of the SCOTT FETTER COMPANY and is subject to return on demand. Its contents are confidential and must not be copied or submitted to outside parties for use or examination.		<small>AUTHOR</small> ASoulek	<small>ORIGINATION DATE</small> 10/2/2018	<small>APPROVALS ON FILE IN PLM</small>
<small>ITEM NO</small> 716121			<small>REVISION</small> A	<small>SIZE</small> D
<small>MATERIAL</small> SEE PART DRAWINGS	<small>DRAWING NUMBER</small> MSQ10A5	<small>ISO PRODUCTION DRAWING HARRISON OH 45030</small> <small>888-768-7079</small>	<small>REVISION</small> A	<small>SIZE</small> D

REVISION NOTES		
DESCRIPTION	ECN	PR/NOR
PRODUCTION RELEASE	PXEC0169	N/A

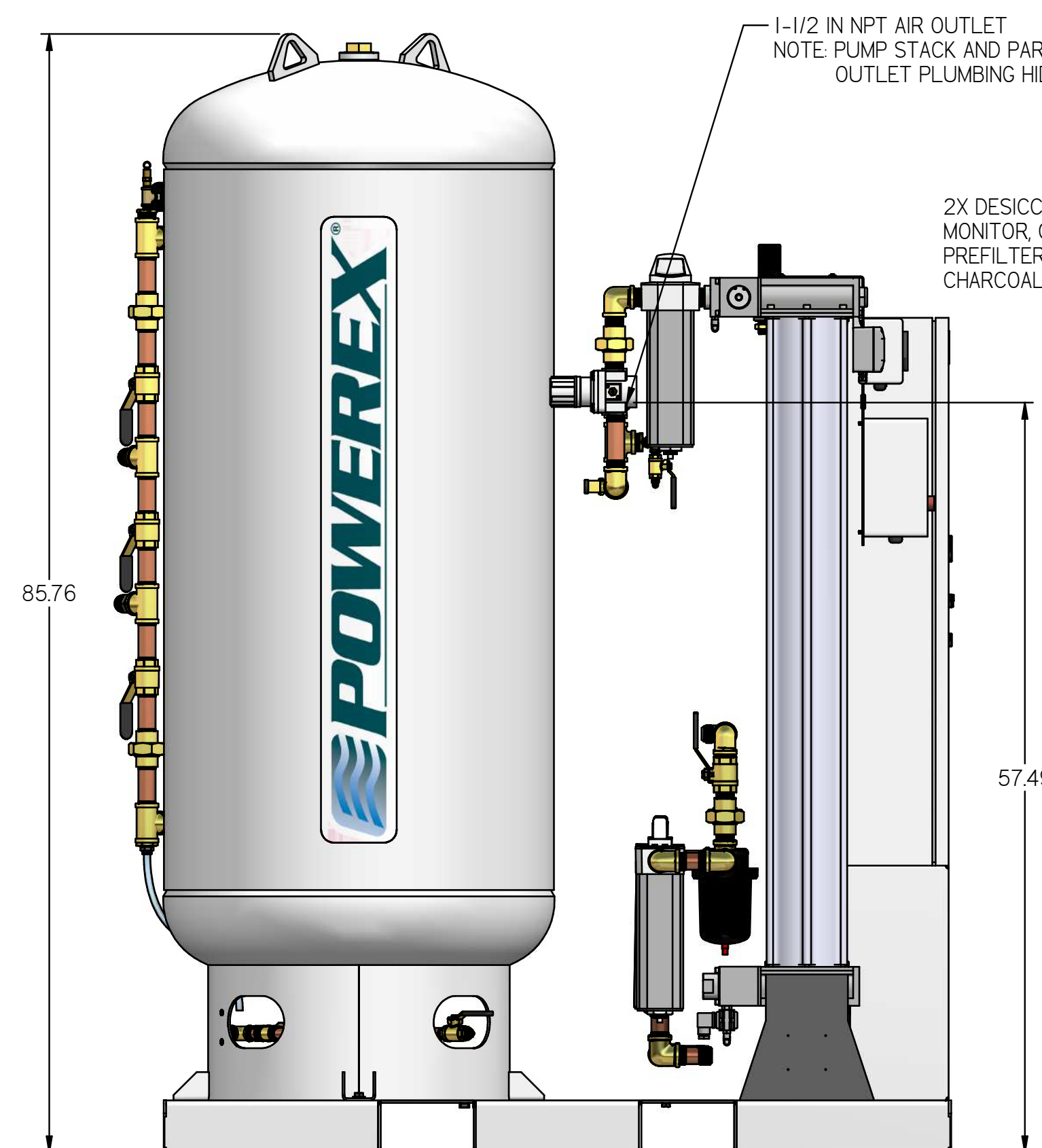
# MSQ10A5

## MEDICAL OPEN SCROLL 10 HP QUADPLEX WITH 200 GALLON TANK

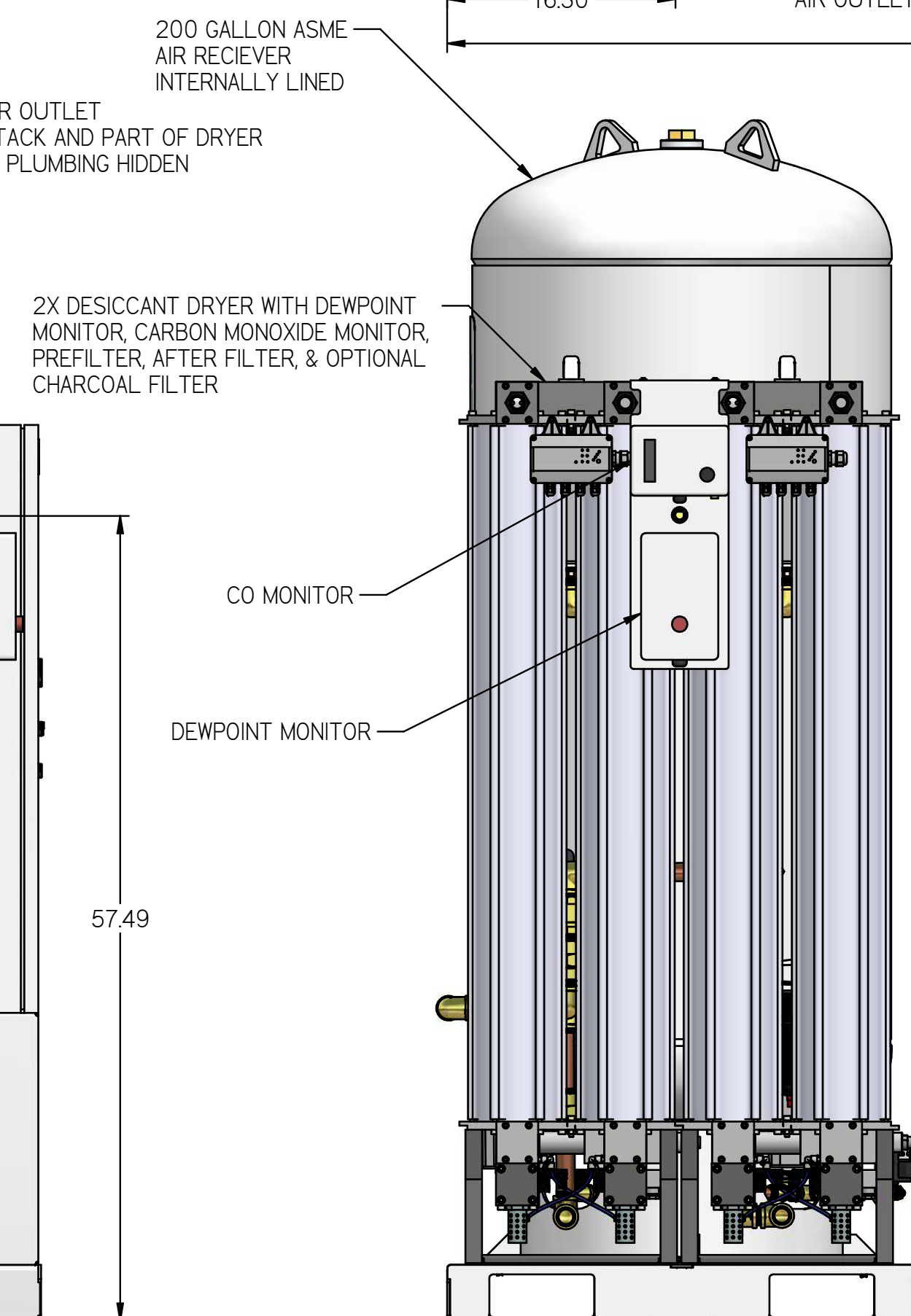
BASIC PANEL



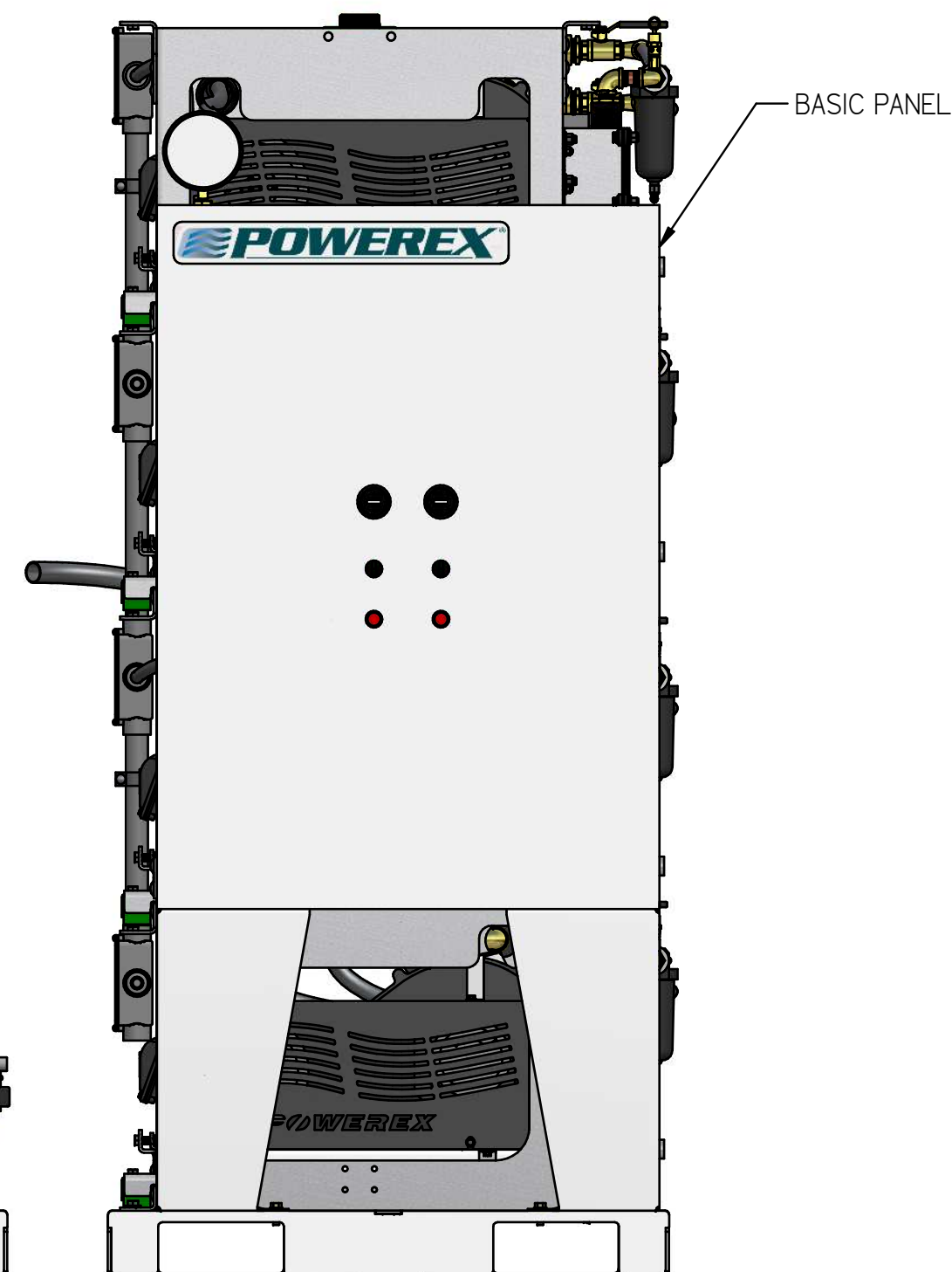
ISO VIEW



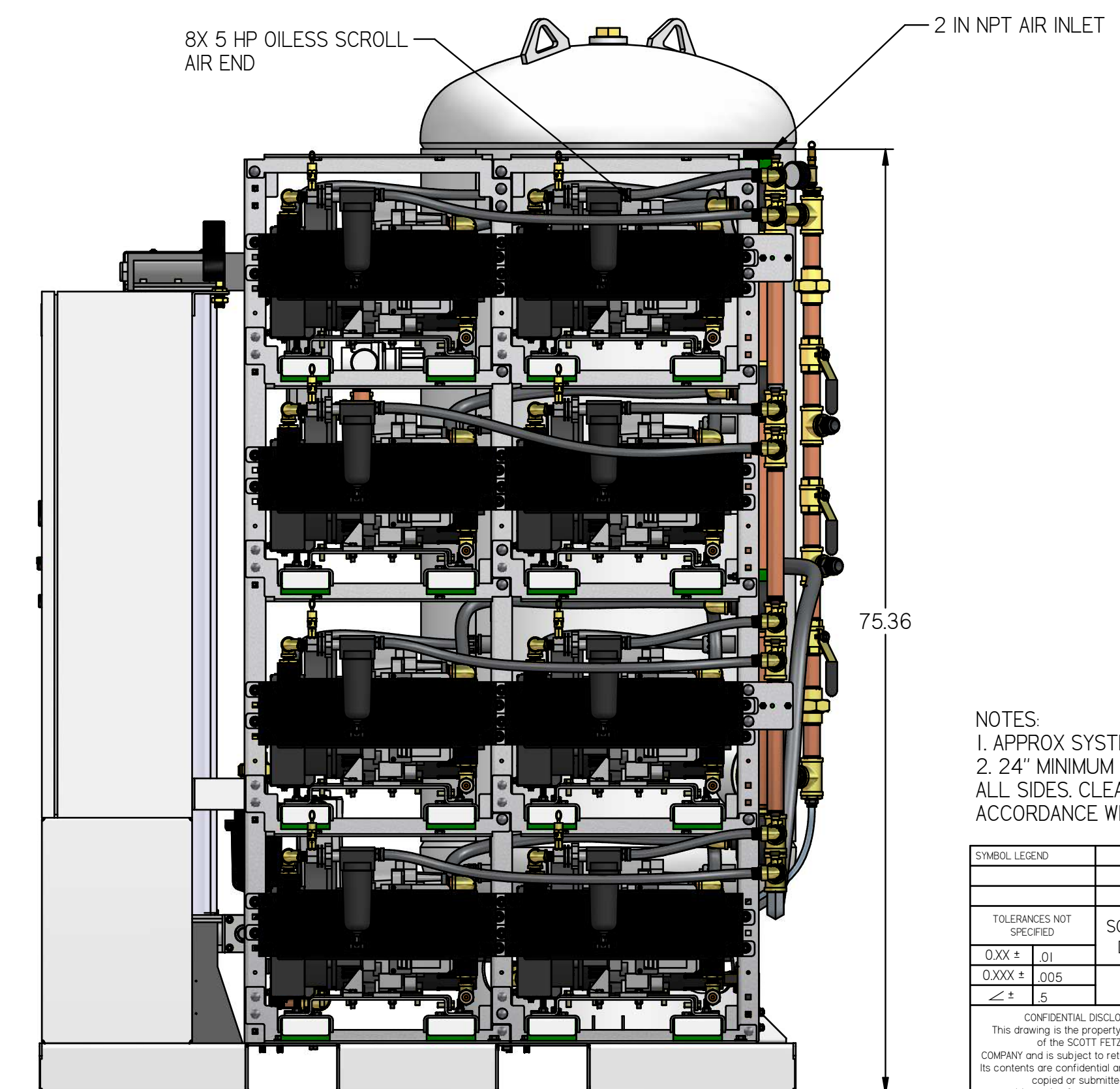
LEFT VIEW



FRONT VIEW



RIGHT VIEW



- NOTES:  
 1. APPROX SYSTEM WEIGHT: 3786 LB  
 2. 24" MINIMUM MAINTENANCE CLEARANCE RECOMMENDED ALL SIDES. CLEARANCE FOR CONTROL PANEL SHALL BE IN ACCORDANCE WITH OSHA/NEC REQUIREMENTS

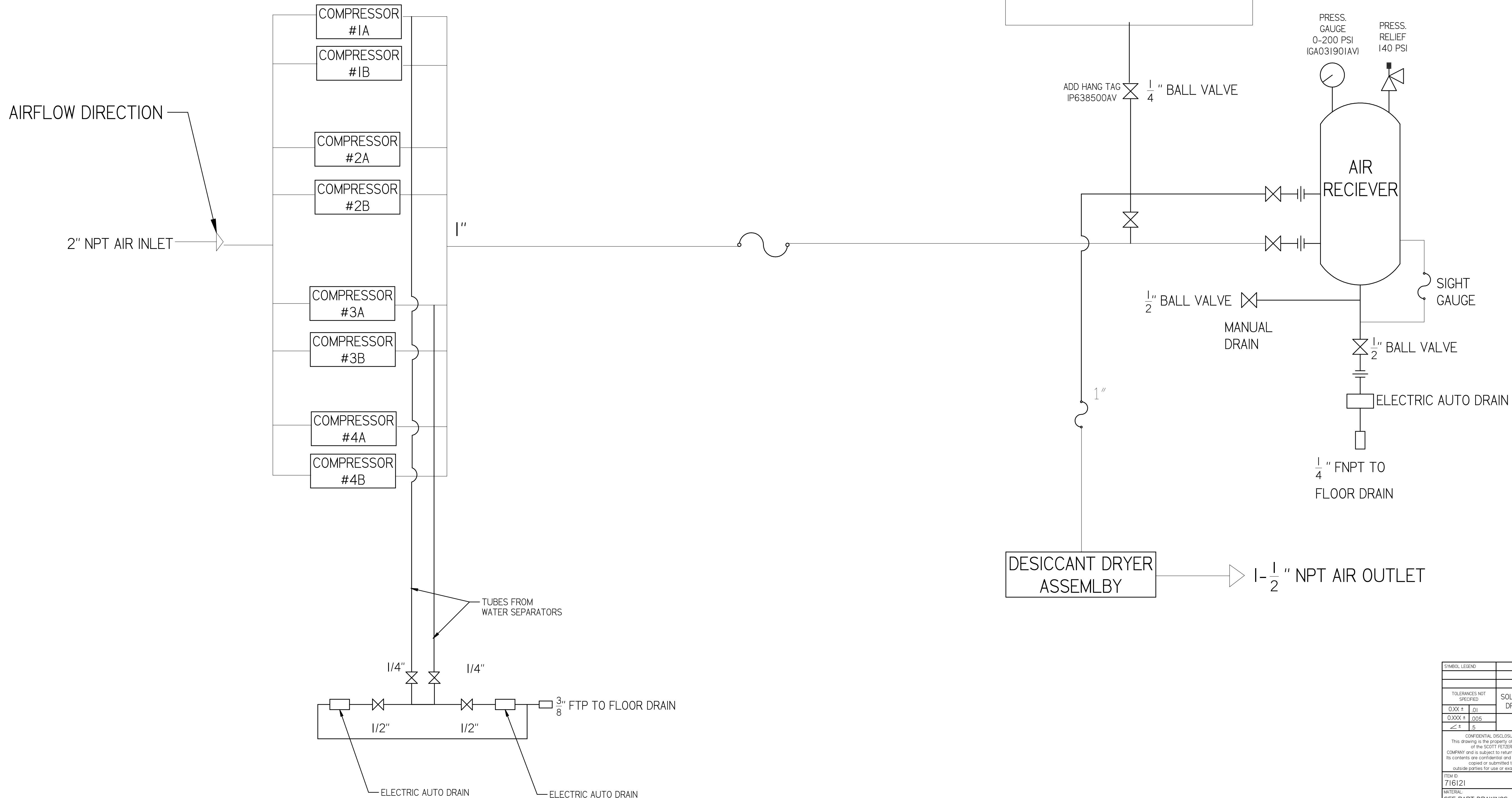
SYMBOL LEGEND		DRAWINGS TO CONFORM TO CURRENT REVISION OF THE FOLLOWING ANSI STANDARDS:	
TOLERANCES NOT SPECIFIED	SOLID EDGE DRAWING	DO NOT SCALE DRAWING FOR DIMENSIONS	
0.00X ± .01	INCH	SHEET 2 OF 5	SCALE 1:10
0.00X ± .005		APPROVALS ON FILE IN PLM	
CONFIDENTIAL DISCLOSURE: This drawing is the property of POWEREX of the SCOTT FETTER COMPANY and is subject to return on demand. Its contents are confidential and must not be copied or submitted to outside parties for use or examination.		AUTHOR	ORIGINATION DATE
716121		ASoulek	10/2/2018
MATERIAL: SEE PART DRAWINGS			
DESCRIPTION: MEDICAL OPEN SCROLL 10 HP QUADPLEX WITH 200 GALLON TANK		DRAWING NUMBER: MSQ10A5	REVISION: A
		SIZE: A	SIZE: D

# MSQ10A5

MEDICAL OPEN SCROLL 10 HP QUADPLEX WITH 200 GALLON TANK

FLOW DIAGRAM

REVISION NOTES		
DESCRIPTION	ECN	PR/NOR
PRODUCTION RELEASE	PXECO169	N/A



SYMBOL LEGEND		DRAWINGS TO CONFORM TO CURRENT REVISION OF THE FOLLOWING ANSI STANDARDS:	
TOLERANCES NOT SPECIFIED		Y14.3 MULTI AND SECTIONAL VIEW DIMS	
0.001 ± .01		Y14.5 DIMENSIONING AND TOLERANCING	
0.005 ± .005		SHEET 3 OF 5	
± .5		SCALE 1:1	
CONFIDENTIAL DISCLOSURE: This drawing is the property of POWEREX or the SCOTT FETTER COMPANY and is subject to return on demand. Its contents are confidential and must not be copied or submitted to outside parties for use or examination.		APPROVALS ON FILE IN PLM	
ITEM NO: 716121		AUTHOR: ASoulek	
MATERIAL: SEE PART DRAWINGS		ORIGINATION DATE: 10/2/2018	
DESCRIPTION: MEDICAL OPEN SCROLL 10 HP QUADPLEX WITH 200 GALLON TANK		DRAWING NUMBER: MSQ10A5	
		REVISION: A	
		SIZE: D	

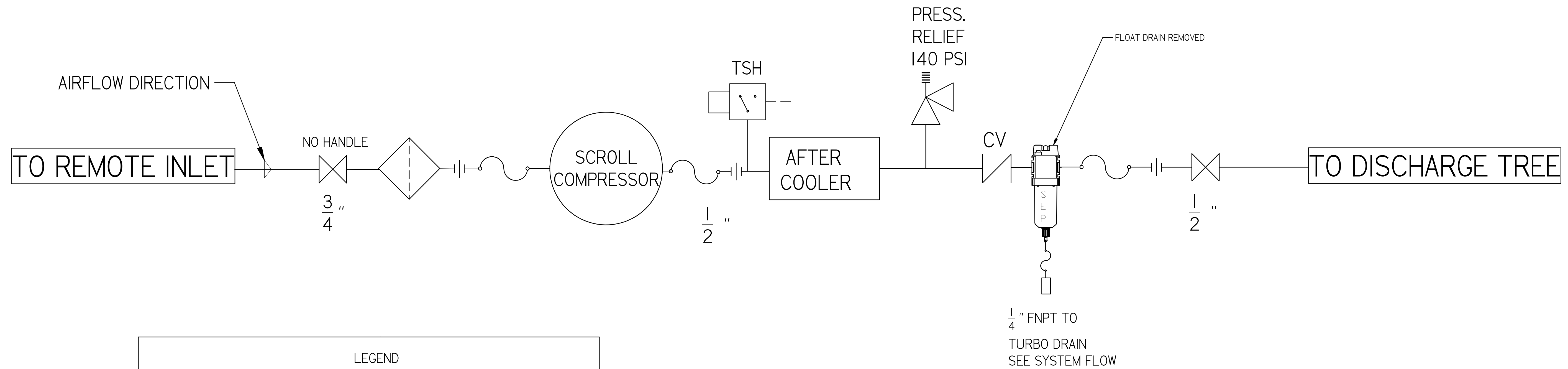


REVISION NOTES		
DESCRIPTION	ECN	PR/NOR
PRODUCTION RELEASE	PXECO169	N/A

# MSQ10A5

MEDICAL OPEN SCROLL 10  
HP QUADPLEX WITH 200  
GALLON TANK

## MEDICAL COMPRESSOR FLOW DIAGRAM



LEGEND	
	RELIEF VALVE
	INTAKE FILTER
	AIR FILTER
	3 WAY VALVE
	CARBON FILTER
	BALL VALVE
	PRESSURE SWITCH
	REGULATOR
	SEPARATOR
	CHECK VALVE
	FLEX LINE
	TSH HIGH TEMP SWITCH

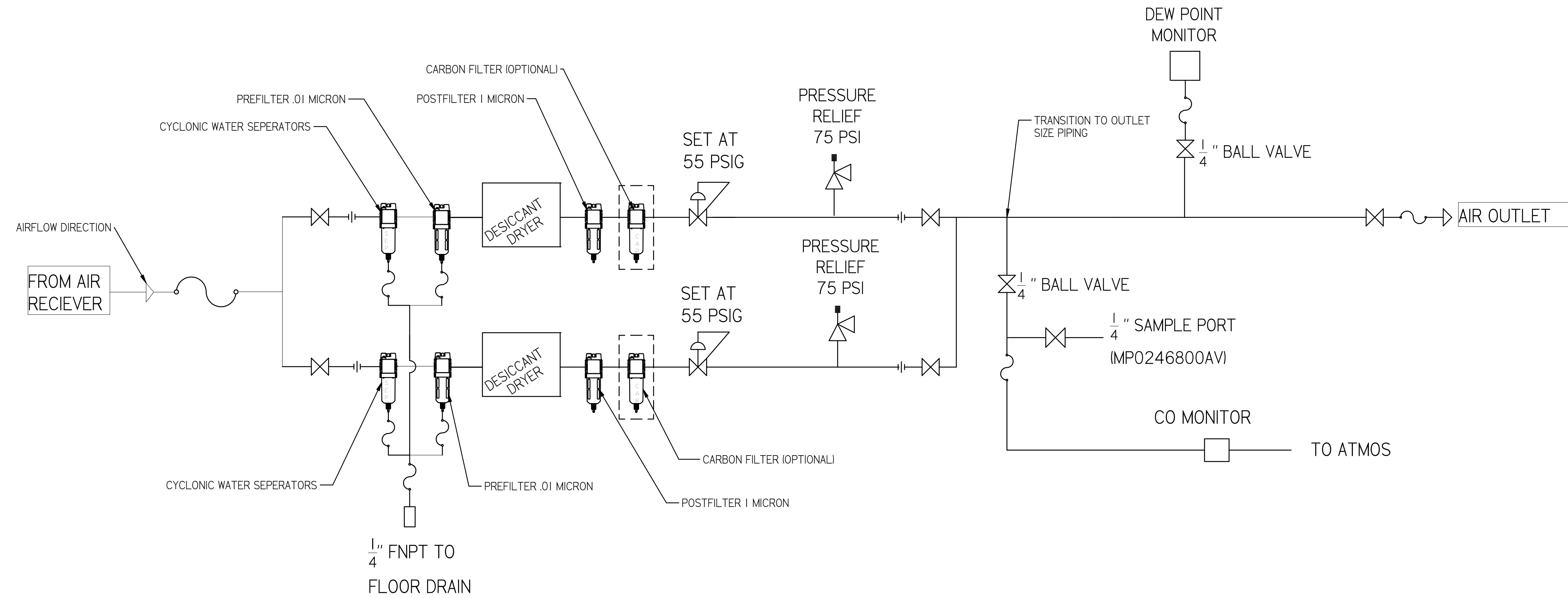
SYMBOL LEGEND		DRAWINGS TO CONFORM TO CURRENT REVISION OF THE FOLLOWING ANSI STANDARDS:	
		Y14.3 MULTI AND SECTIONAL VIEW DWGS	
		Y14.5 DIMENSIONING AND TOLERANCING	
TOLERANCES NOT SPECIFIED	SOLID EDGE DRAWING	DO NOT SCALE DRAWING FOR DIMENSIONS	
0.000 + .01		SHEET 4 OF 5	SCALE 1:1
0.000 + .005	INCH		
0.000 + .005		APPROVALS ON FILE IN PLM	
<small>CONFIDENTIAL DISCLOSURE</small> This drawing is the property of POWEREX of the SCOTT FETTER COMPANY and is subject to return on demand. Its contents are confidential and must not be copied or submitted to outside parties for use or examination.		ASoulek	10/2/2018
ITEM NO: 716121 MATERIAL: SEE PART DRAWINGS		 <small>150 PRODUCTION DRIVE, HARRISON OH 45030 888-768-7079</small>	
DESCRIPTION: MEDICAL OPEN SCROLL 10 HP QUADPLEX WITH 200 GALLON TANK		DRAWING NUMBER: MSQ10A5	REVISION: A SIZE: D

REVISION NOTES		
DESCRIPTION	ECN	PR/NOR
PRODUCTION RELEASE	PXECO169	N/A

# MSQ10A5

MEDICAL OPEN SCROLL 10  
HP QUADPLEX WITH 200  
GALLON TANK

## MEDICAL DRYER FLOW DIAGRAM



PIPE SIZE CHART		
PUMP COUNT	DRYER PLUMBING SIZE	OUTLET PIPE SIZE
2	1/2"	1/2"
3	1/2"	1"
4	1/2"	1"
6	1"	1-1/2"
8	1"	1-1/2"
9	1"	1-1/2"
12	1-1/2"	2"
15	1-1/2"	2"
18	1-1/2"	2"

SYMBOL LEGEND		DRAWINGS TO CONFORM TO CURRENT REVISION OF THE FOLLOWING ANSI STANDARDS: Y14.3 MULTI AND SECTIONAL VIEW DIMS Y14.5 DIMENSIONING AND TOLERANCING	
TOLERANCES NOT SPECIFIED	SOLID EDGE DRAWING	DO NOT SCALE DRAWING FOR DIMENSIONS	
0.XXX ± .01		SHEET 5 OF 5	SCALE 1:1
0.XXX ± .005	AUTHOR		
± .5		ASoulek	10/2/2018
<small>CONFIDENTIAL DISCLOSURE</small> This drawing is the property of POWEREX of the SCOTT FETTER COMPANY and is subject to return on demand. Its contents are confidential and must not be copied or submitted to outside parties for use or examination.			
TITLE: 716121 MATERIAL: SEE PART DRAWINGS		DRAWING NUMBER: MSQ10A5 REVISION: A SIZE: D	