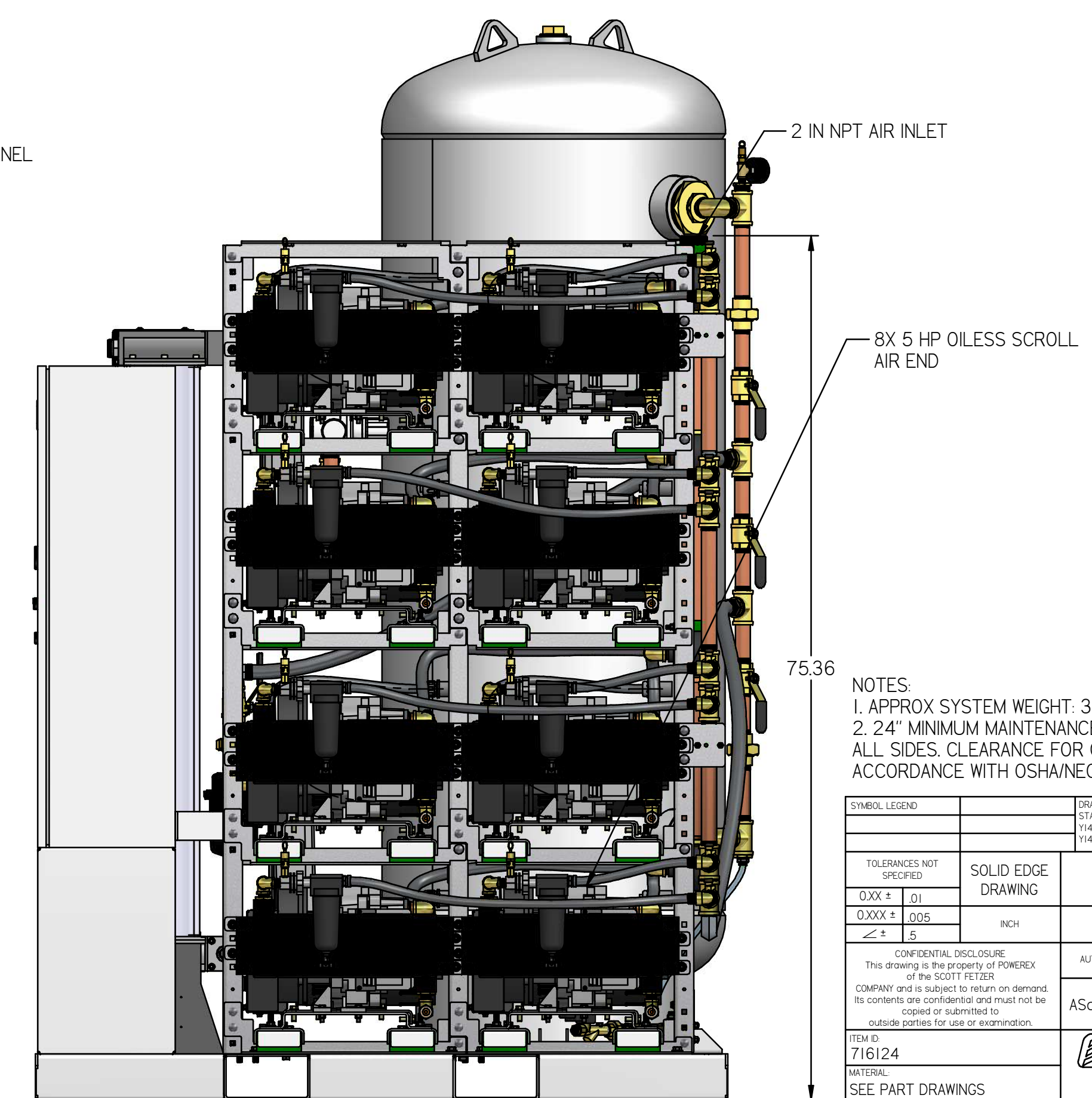
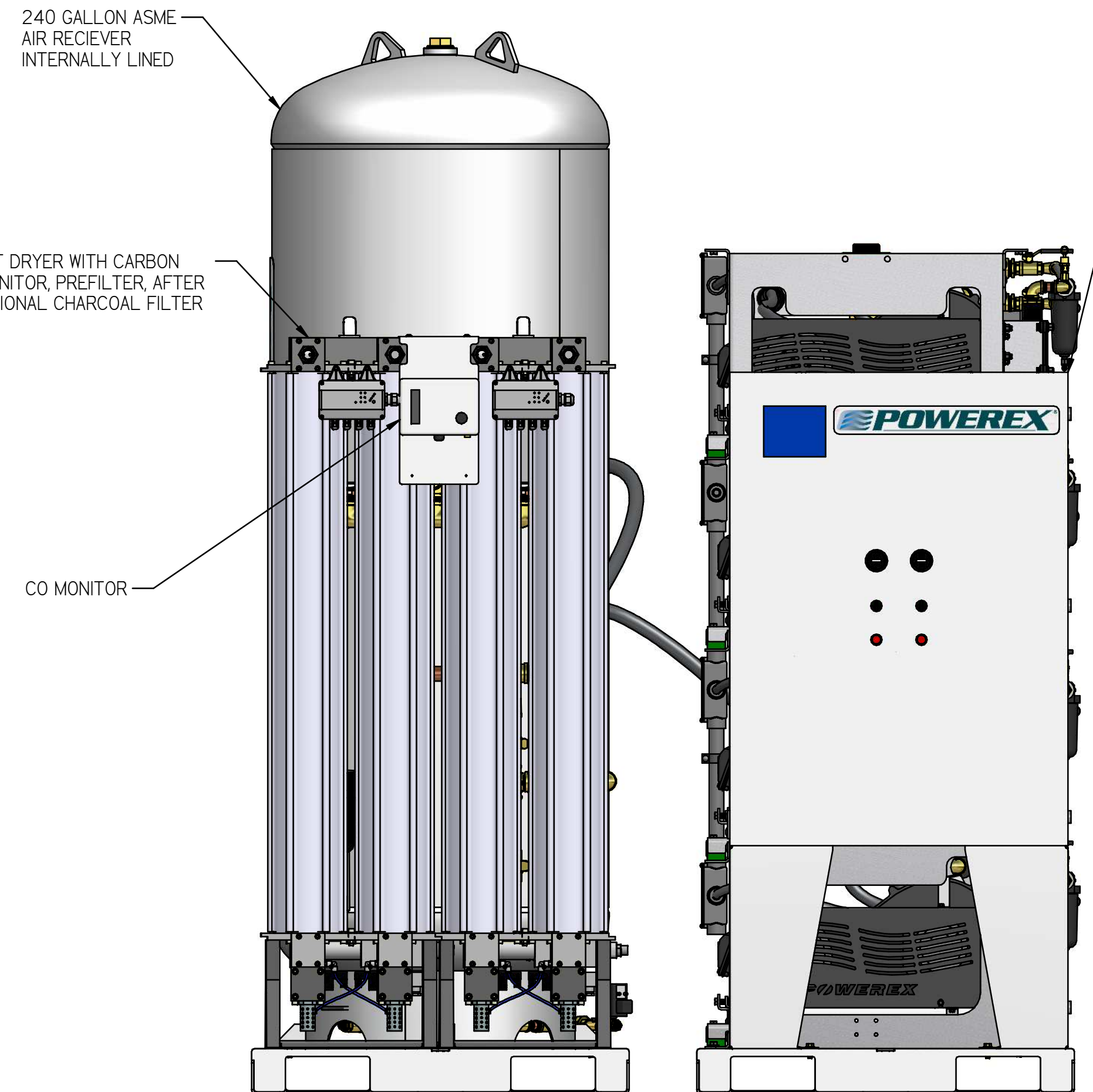
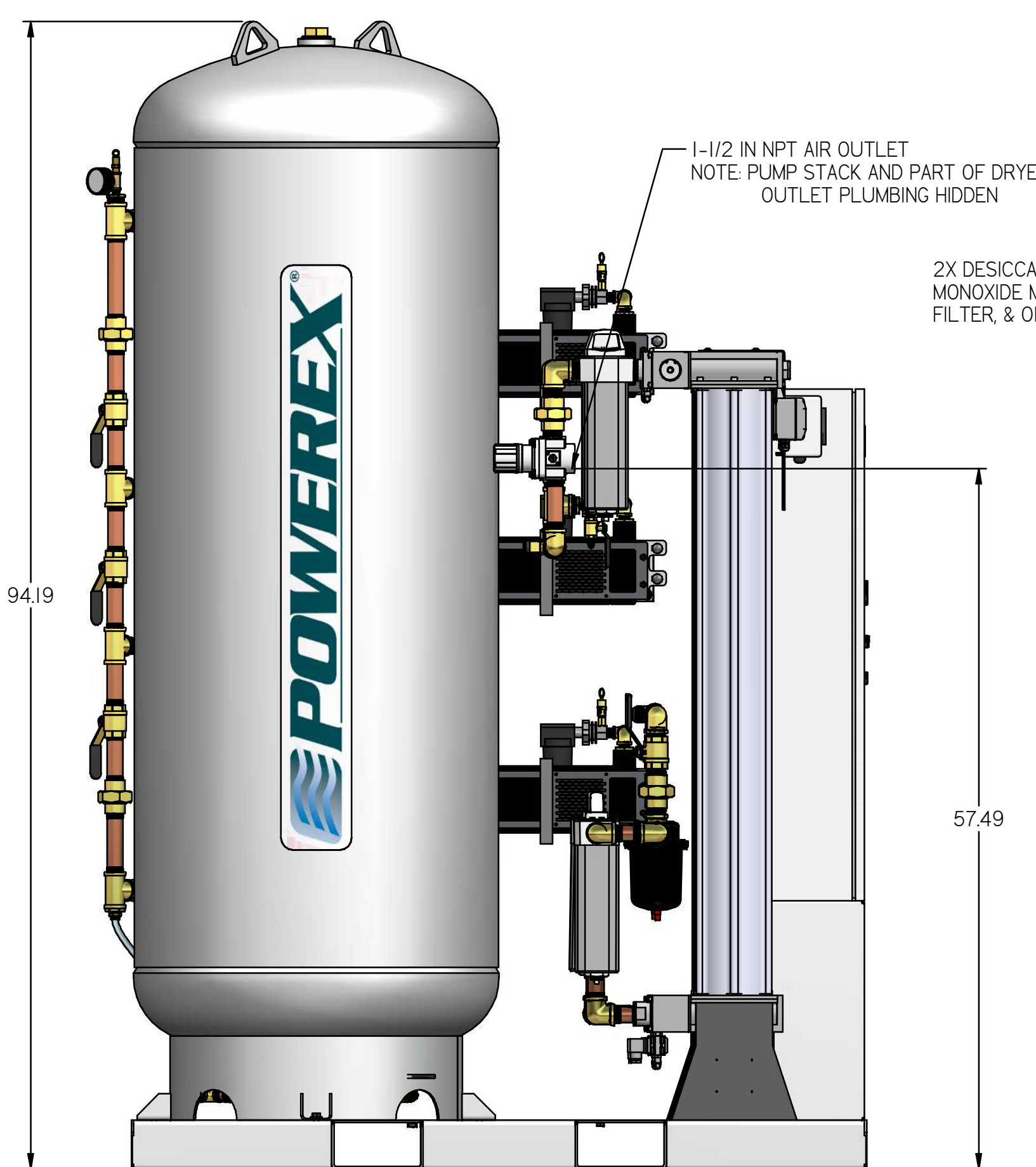
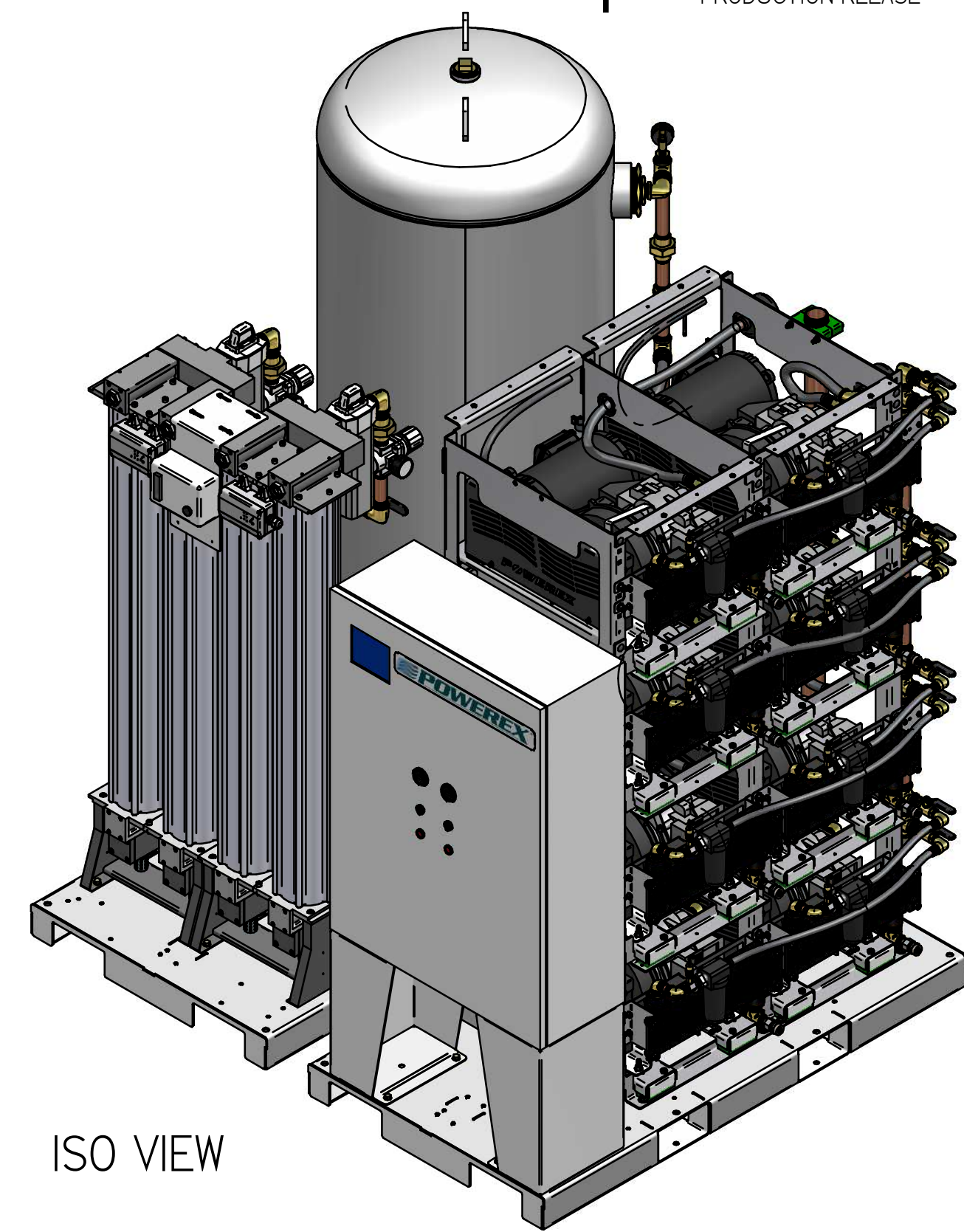
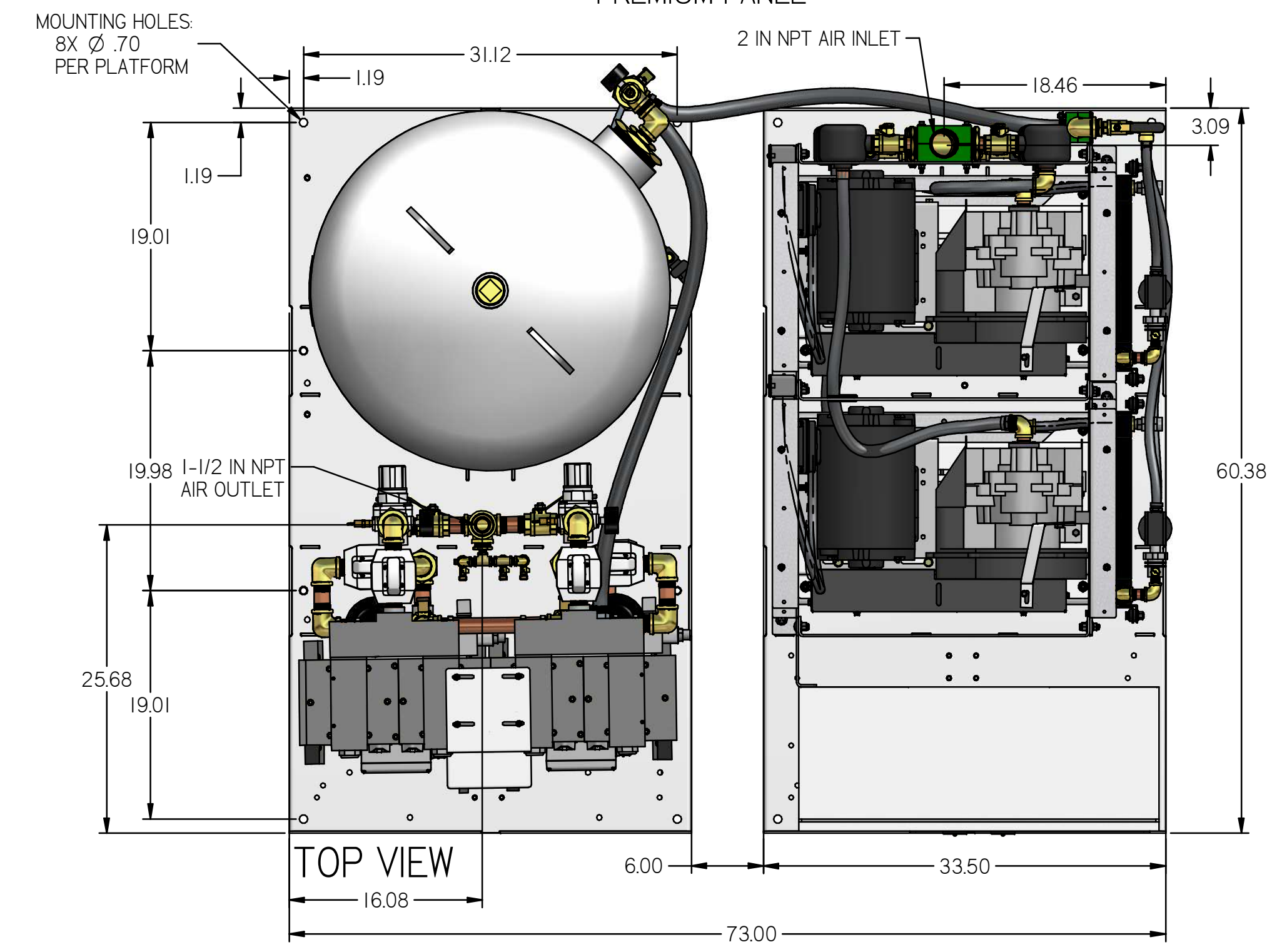


REVISION NOTES		
DESCRIPTION	ECN	PR/NOR
PRODUCTION RELEASE	PXECO169	N/A

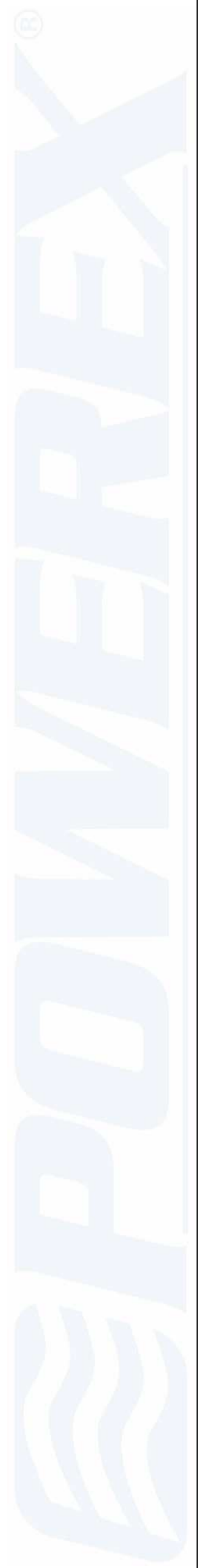
MSQ10A6

MEDICAL OPEN SCROLL 10 HP QUADPLEX WITH 240 GALLON TANK PREMIUM PANEL



- NOTES:
 1. APPROX SYSTEM WEIGHT: 3841 LB
 2. 24" MINIMUM MAINTENANCE CLEARANCE RECOMMENDED ALL SIDES. CLEARANCE FOR CONTROL PANEL SHALL BE IN ACCORDANCE WITH OSHA/NEC REQUIREMENTS

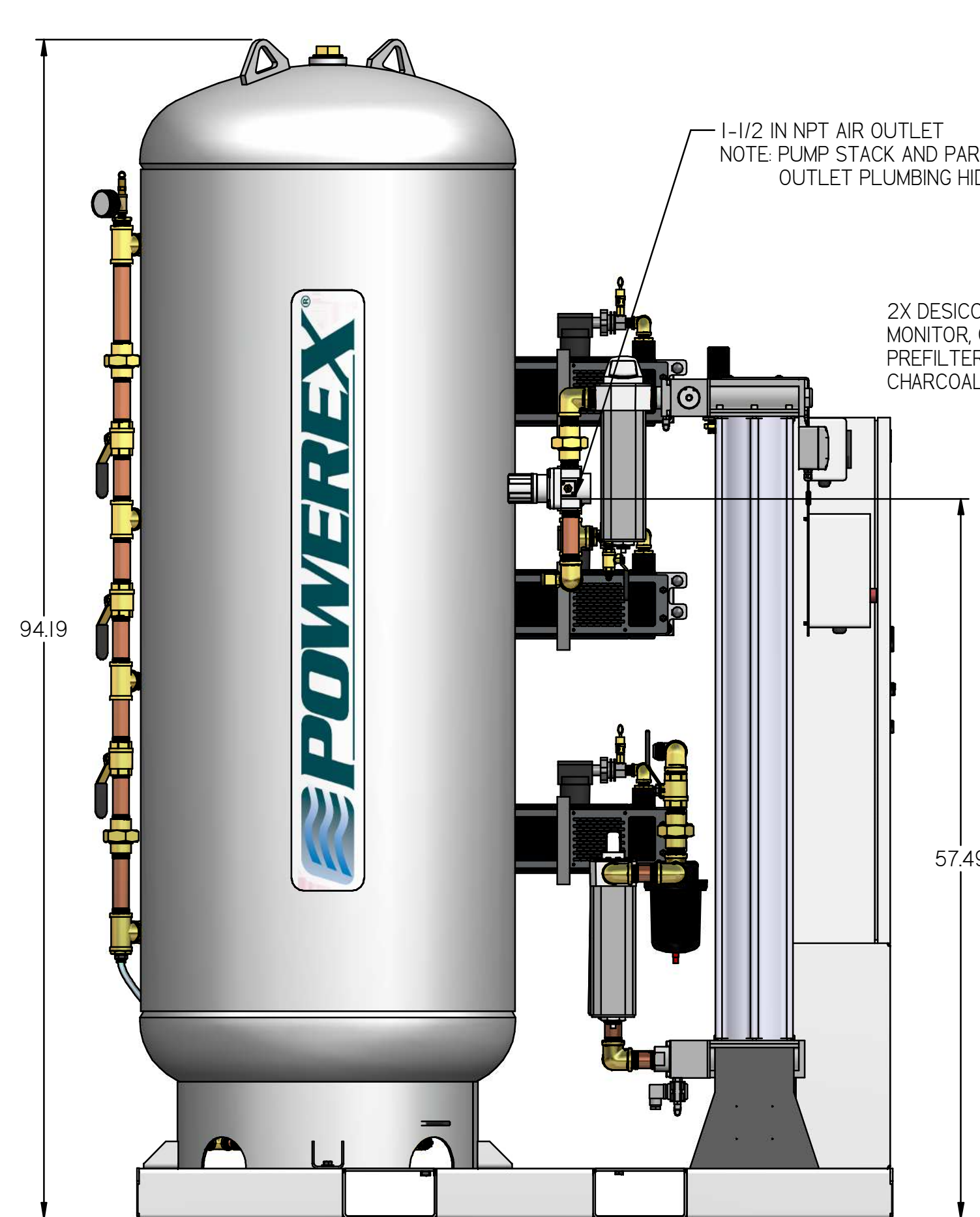
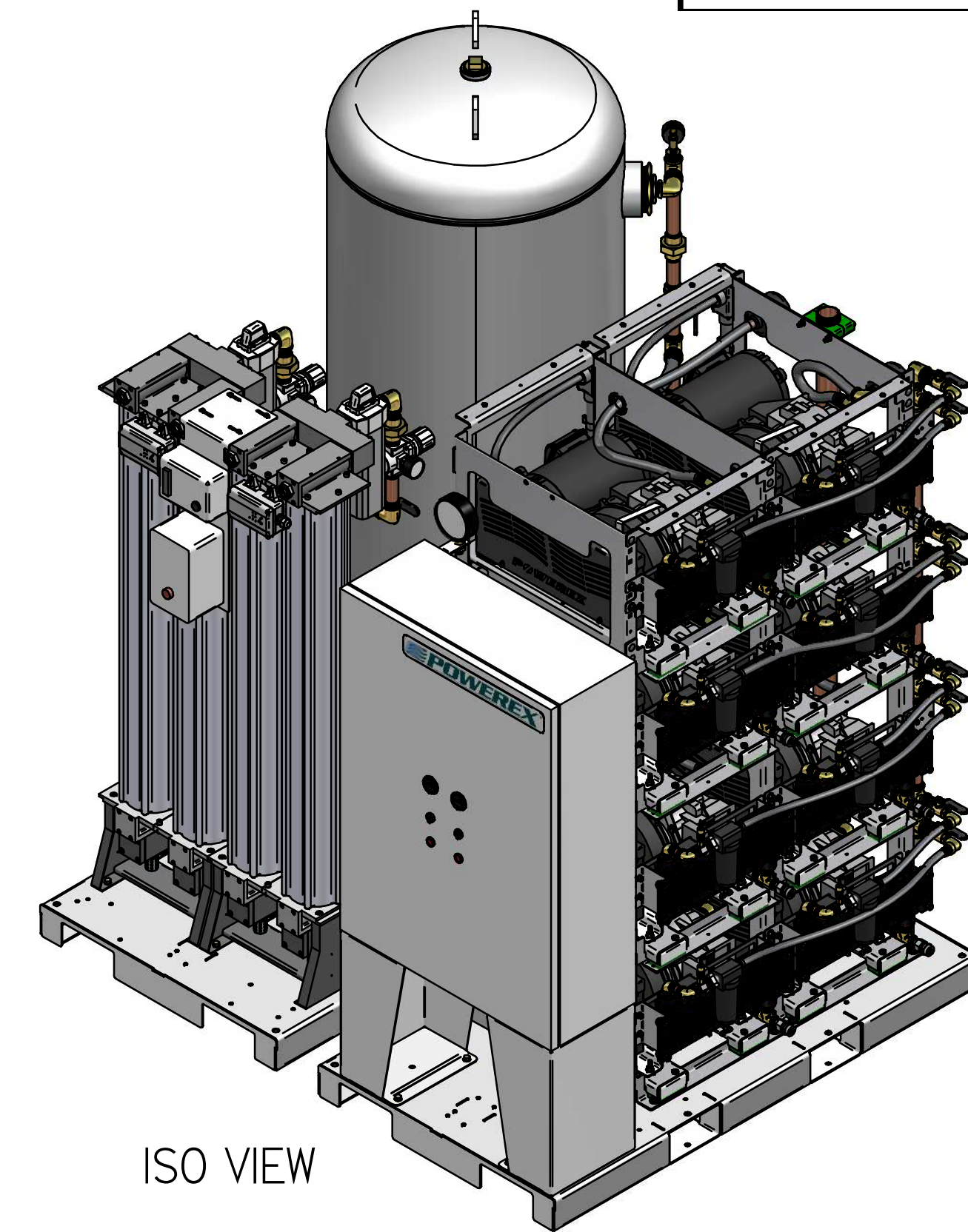
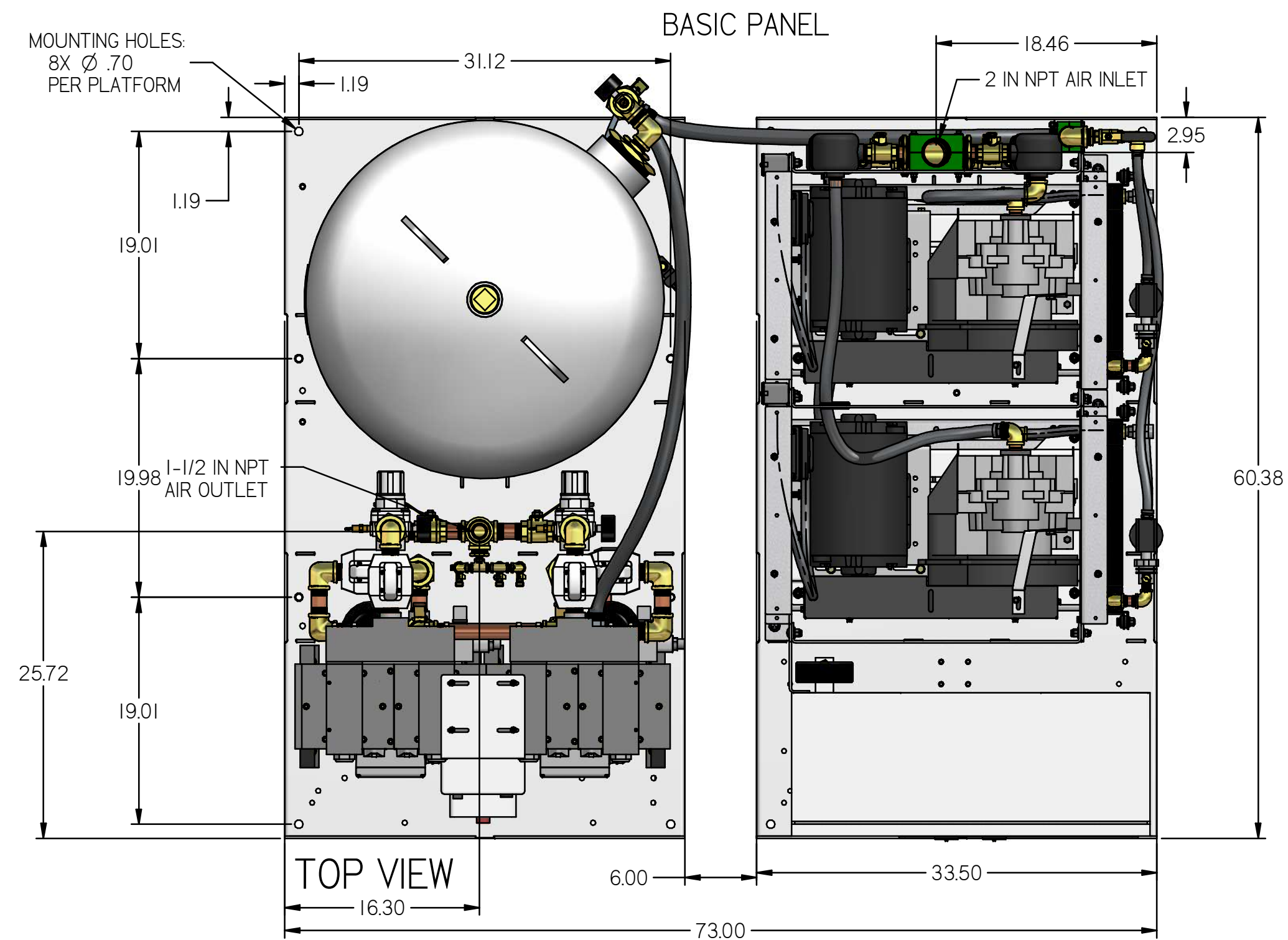
SYMBOL LEGEND		DRAWINGS TO CONFORM TO CURRENT REVISION OF THE FOLLOWING ANSI STANDARDS: Y14.3 MULTI AND SECTIONAL VIEW DWGS Y14.5 DIMENSIONING AND TOLERANCING	
TOLERANCES NOT SPECIFIED	SOLID EDGE DRAWING	DO NOT SCALE DRAWING FOR DIMENSIONS	
0.XXX ± .01	INCH	SHEET 1 OF 5	SCALE 1:10
0.XXX ± .005		APPROVALS ON FILE IN PLM	
<small>CONFIDENTIAL DISCLOSURE</small> This drawing is the property of POWEREX of the SCOTT FETTER COMPANY and is subject to return on demand. Its contents are confidential and must not be copied or submitted to outside parties for use or examination.		AUTHOR	ORIGINATION DATE
TITLE: 716124 MATERIAL: SEE PART DRAWINGS DESCRIPTION: MEDICAL OPEN SCROLL 10 HP QUADPLEX WITH 240 GALLON TANK		ASoulek	10/29/2016
DRAWING NUMBER: MSQ10A6		REVISION: C	SIZE: D



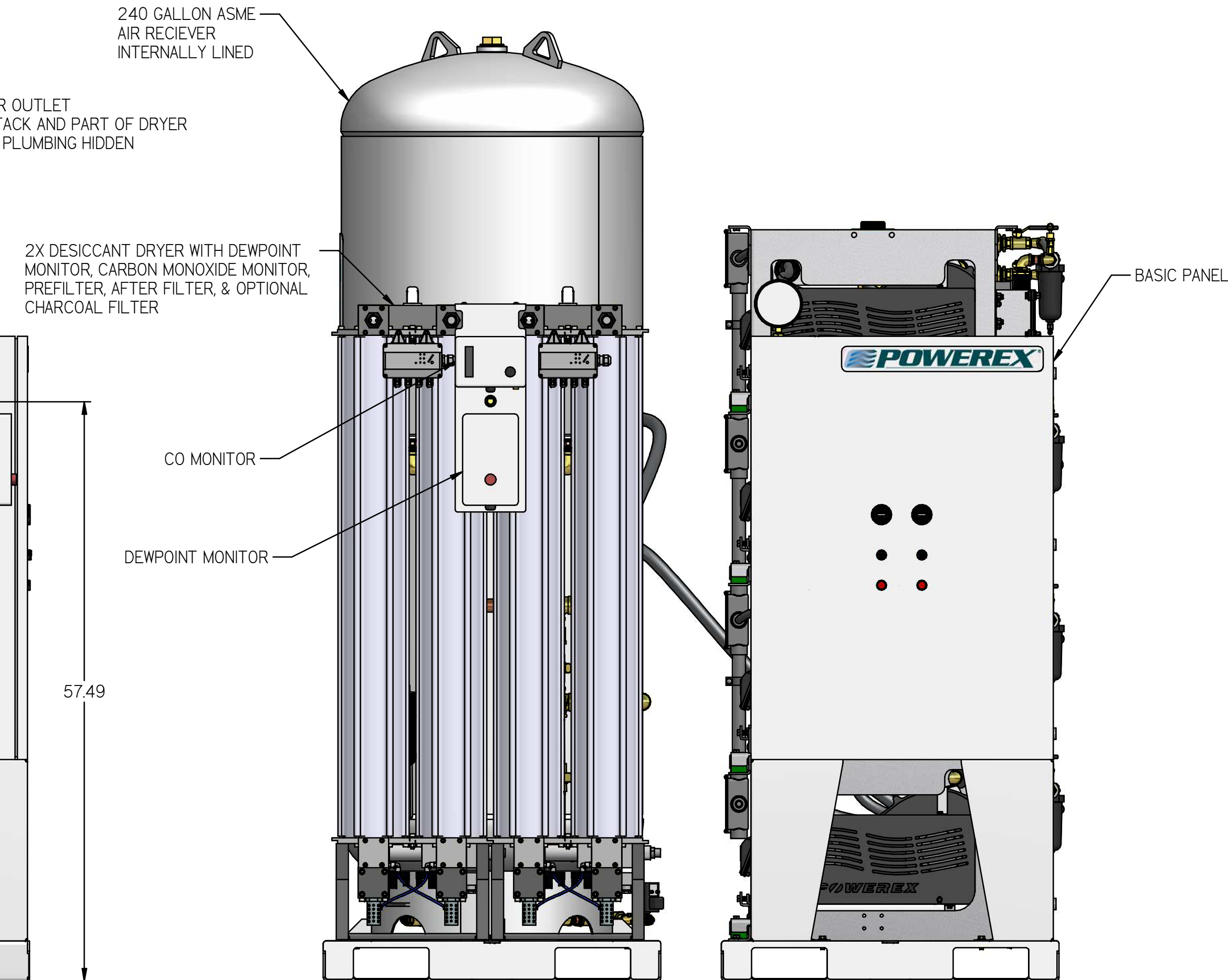
REVISION NOTES		
DESCRIPTION	ECN	PR/NOR
PRODUCTION RELEASE	PXECO169	N/A

MSQ10A6

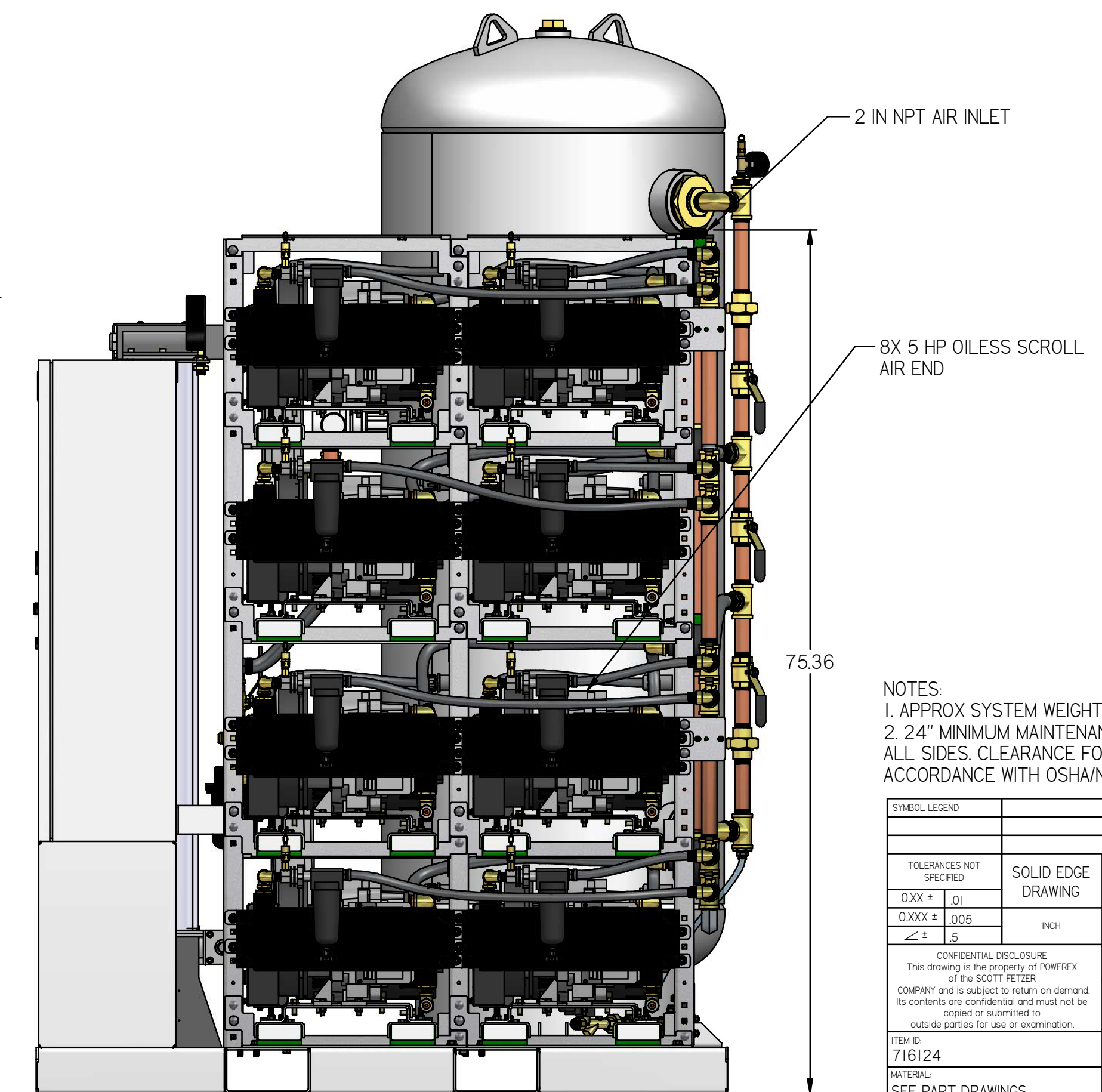
MEDICAL OPEN SCROLL 10 HP QUADPLEX WITH 240 GALLON TANK



LEFT VIEW



FRONT VIEW



RIGHT VIEW

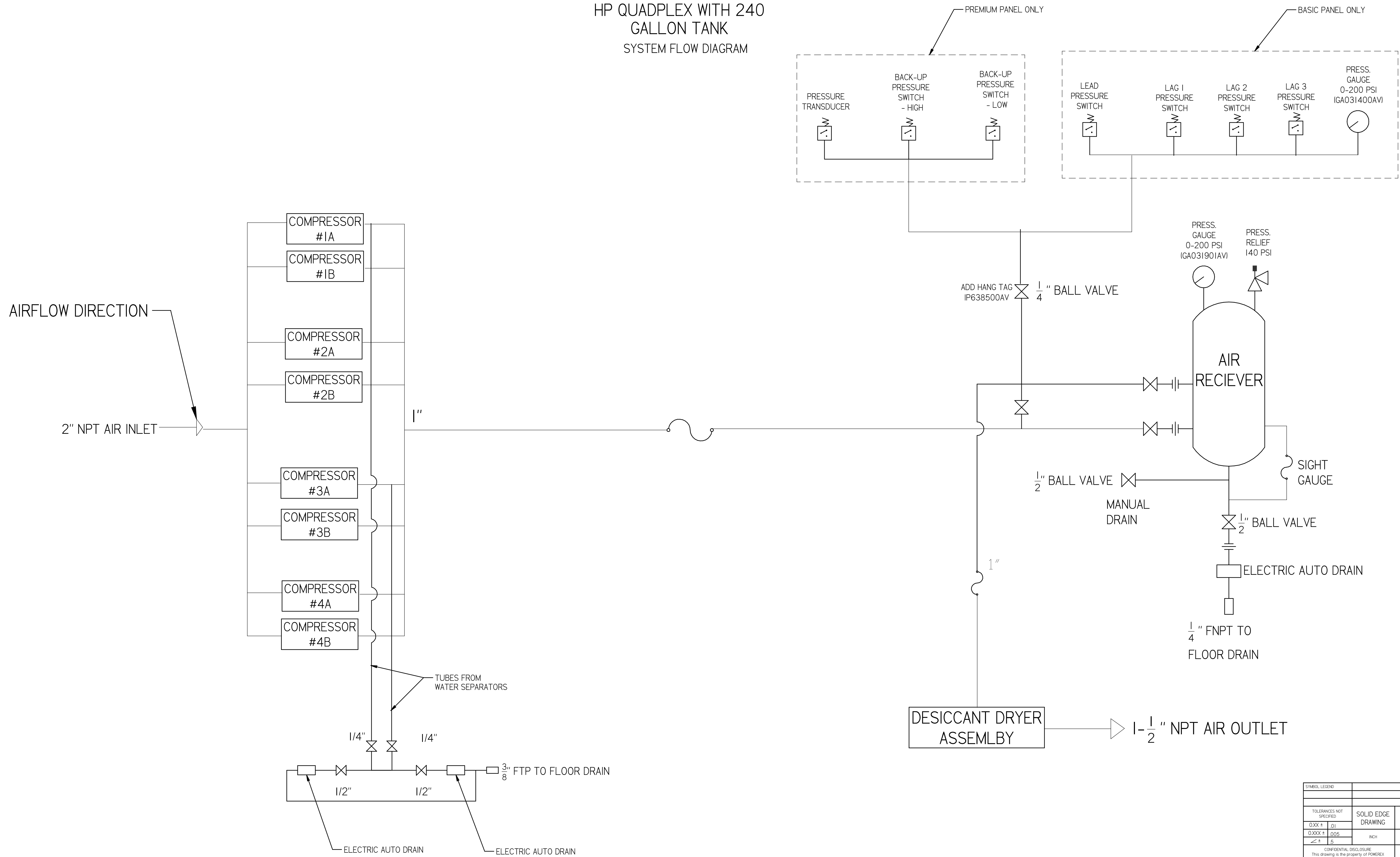
- NOTES:
- APPROX SYSTEM WEIGHT: 3841 LB
 - 24" MINIMUM MAINTENANCE CLEARANCE RECOMMENDED ALL SIDES. CLEARANCE FOR CONTROL PANELS SHALL BE IN ACCORDANCE WITH OSHA/NEC REQUIREMENTS

SYMBOL LEGEND		DRAWINGS TO CONFORM TO CURRENT REVISION OF THE FOLLOWING ANSI STANDARDS:	
TOLERANCES NOT SPECIFIED	SOLID EDGE DRAWING	1:4:3 MULTI AND SECTIONAL VIEW DIMS	1:4:3 DIMENSIONING AND TOLERANCING
0.00X ± .01	DRAWING	DO NOT SCALE DRAWING FOR DIMENSIONS	SHEET 2 OF 5
0.00X ± .005			
± .5	INCH	APPROVALS ON FILE IN PLM	
<small>CONFIDENTIAL DISCLOSURE</small> This drawing is the property of POWEREX of the SCOTT FETTER COMPANY and is subject to return on demand. Its contents are confidential and must not be copied or submitted to outside parties for use or examination.		AUTHOR	ORIGINATION DATE
TITLE: 716124 MATERIAL: SEE PART DRAWINGS		ASoulek	10/29/2016
DESCRIPTION: MEDICAL OPEN SCROLL 10 HP QUADPLEX WITH 240 GALLON TANK			
DRAWING NUMBER: MSQ10A6		REVISION: C	SIZE: D

MSQ10A6

MEDICAL OPEN SCROLL 10 HP QUADPLEX WITH 240 GALLON TANK SYSTEM FLOW DIAGRAM

REVISION NOTES		
DESCRIPTION	ECN	PR/NOR
PRODUCTION RELEASE	PXECO169	N/A



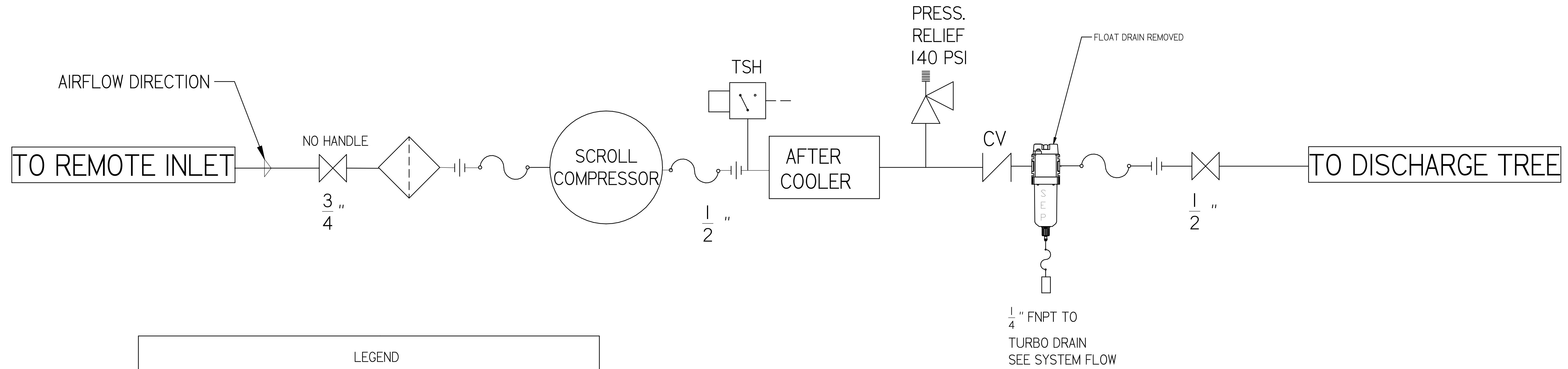
SYMBOL LEGEND		DRAWINGS TO CONFORM TO CURRENT REVISION OF THE FOLLOWING ANSI STANDARDS:	
TOLERANCES NOT SPECIFIED	SOLID EDGE DRAWING	Y14.3 MULTI-VIEW AND SECTIONAL VIEW DWGS	
0.005 ± 0.01	INCH	Y14.5 DIMENSIONING AND TOLERANCING	
0.005 ± 0.005		SHEET 3 OF 5	SCALE 1:1
<small>CONFIDENTIAL DISCLOSURE</small> This drawing is the property of POWEREX of the SCOTT FETTER COMPANY and is subject to return on demand. Its contents are confidential and must not be copied or submitted to outside parties for use or examination.		AUTHOR	APPROVALS ON FILE IN PLM
<small>FROM ID:</small> 716124 <small>MATERIAL:</small> SEE PART DRAWINGS	<small>ORIGINATION DATE:</small> 10/29/2016		
<small>DESCRIPTION:</small> MEDICAL OPEN SCROLL 10 HP QUADPLEX WITH 240 GALLON TANK	<small>DRAWING NUMBER:</small> MSQ10A6	<small>REVISION:</small> C	<small>SIZE:</small> D

REVISION NOTES		
DESCRIPTION	ECN	PR/NOR
PRODUCTION RELEASE	PXECO169	N/A

MSQ10A6

MEDICAL OPEN SCROLL 10
HP QUADPLEX WITH 240
GALLON TANK

MEDICAL COMPRESSOR FLOW DIAGRAM



LEGEND	
	RELIEF VALVE
	INTAKE FILTER
	AIR FILTER
	3 WAY VALVE
	CARBON FILTER
	BALL VALVE
	PRESSURE SWITCH
	REGULATOR
	SEPARATOR
	CHECK VALVE
	FLEX LINE
	TSH HIGH TEMP SWITCH

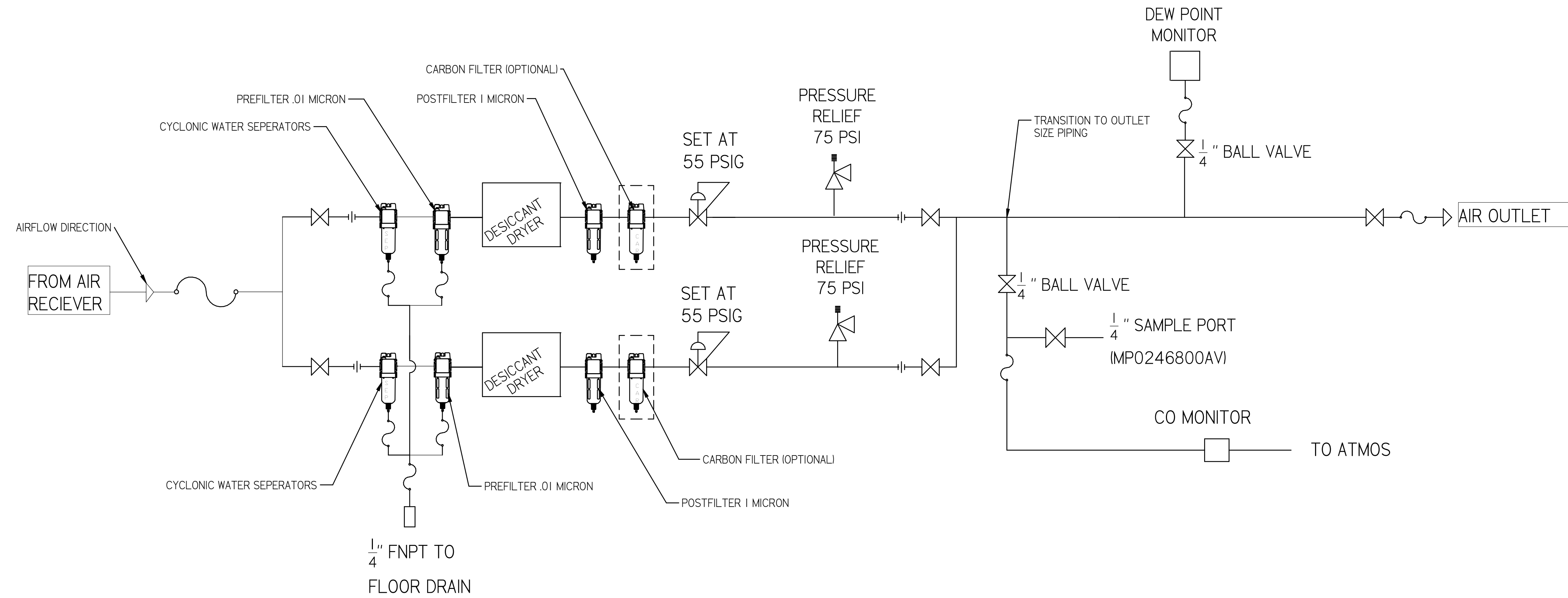
SYMBOL LEGEND		DRAWINGS TO CONFORM TO CURRENT REVISION OF THE FOLLOWING ANSI STANDARDS:	
TOLERANCES NOT SPECIFIED		Y14.3 MULTI AND SECTIONAL VIEW DIMS	
0.005 ± 0.01		Y14.5 DIMENSIONING AND TOLERANCING	
0.005 ± 0.005		DO NOT SCALE DRAWING FOR DIMENSIONS	
1/16 ± 0.005		SHEET 4 OF 5	
1/16 ± 0.005		SCALE 1:1	
CONFIDENTIAL DISCLOSURE This drawing is the property of POWEREX of the SCOTT FETTER COMPANY and is subject to return on demand. Its contents are confidential and must not be copied or submitted to outside parties for use or examination.		APPROVALS ON FILE IN PLM	
716124		ASoulek 10/29/2016	
MATERIAL: SEE PART DRAWINGS			
DESCRIPTION: MEDICAL OPEN SCROLL 10 HP QUADPLEX WITH 240 GALLON TANK		DRAWING NUMBER: MSQ10A6	
		REVISION: C	
		SIZE: D	

REVISION NOTES		
DESCRIPTION	ECN	PR/NOR
PRODUCTION RELEASE	PXECO169	N/A

MSQ10A6

MEDICAL OPEN SCROLL 10
HP QUADPLEX WITH 240
GALLON TANK

MEDICAL DRYER FLOW DIAGRAM



PIPE SIZE CHART		
PUMP COUNT	DRYER PLUMBING SIZE	OUTLET PIPE SIZE
2	1/2"	1/2"
3	1/2"	1"
4	1/2"	1"
6	1"	1-1/2"
8	1"	1-1/2"
9	1"	1-1/2"
12	1-1/2"	2"
15	1-1/2"	2"
18	1-1/2"	2"

SYMBOL LEGEND		DRAWINGS TO CONFORM TO CURRENT REVISION OF THE FOLLOWING ANSI STANDARDS:	
		Y14.3 MULTI-VIEW AND SECTIONAL VIEW DWGS	
		Y14.5 DIMENSIONING AND TOLERANCING	
TOLERANCES NOT SPECIFIED	SOLID EDGE DRAWING	DO NOT SCALE DRAWING FOR DIMENSIONS	
0.XXX ± .01		SHEET 5 OF 5	SCALE 1:1
0.XXX ± .005	INCH		
± .5		APPROVALS ON FILE IN PLM	
<small>CONFIDENTIAL DISCLOSURE</small> This drawing is the property of POWEREX of the SCOTT FETTER COMPANY and is subject to return on demand. Its contents are confidential and must not be copied or submitted to outside parties for use or examination.		AUTHOR	ORIGINATION DATE
<small>FROM FILE</small> 716124		ASoulek	10/29/2016
<small>MATERIAL:</small> SEE PART DRAWINGS			
<small>DESCRIPTION</small> MEDICAL OPEN SCROLL 10 HP QUADPLEX WITH 240 GALLON TANK		<small>DRAWING NUMBER</small> MSQ10A6	<small>REVISION</small> C
			<small>SIZE</small> D