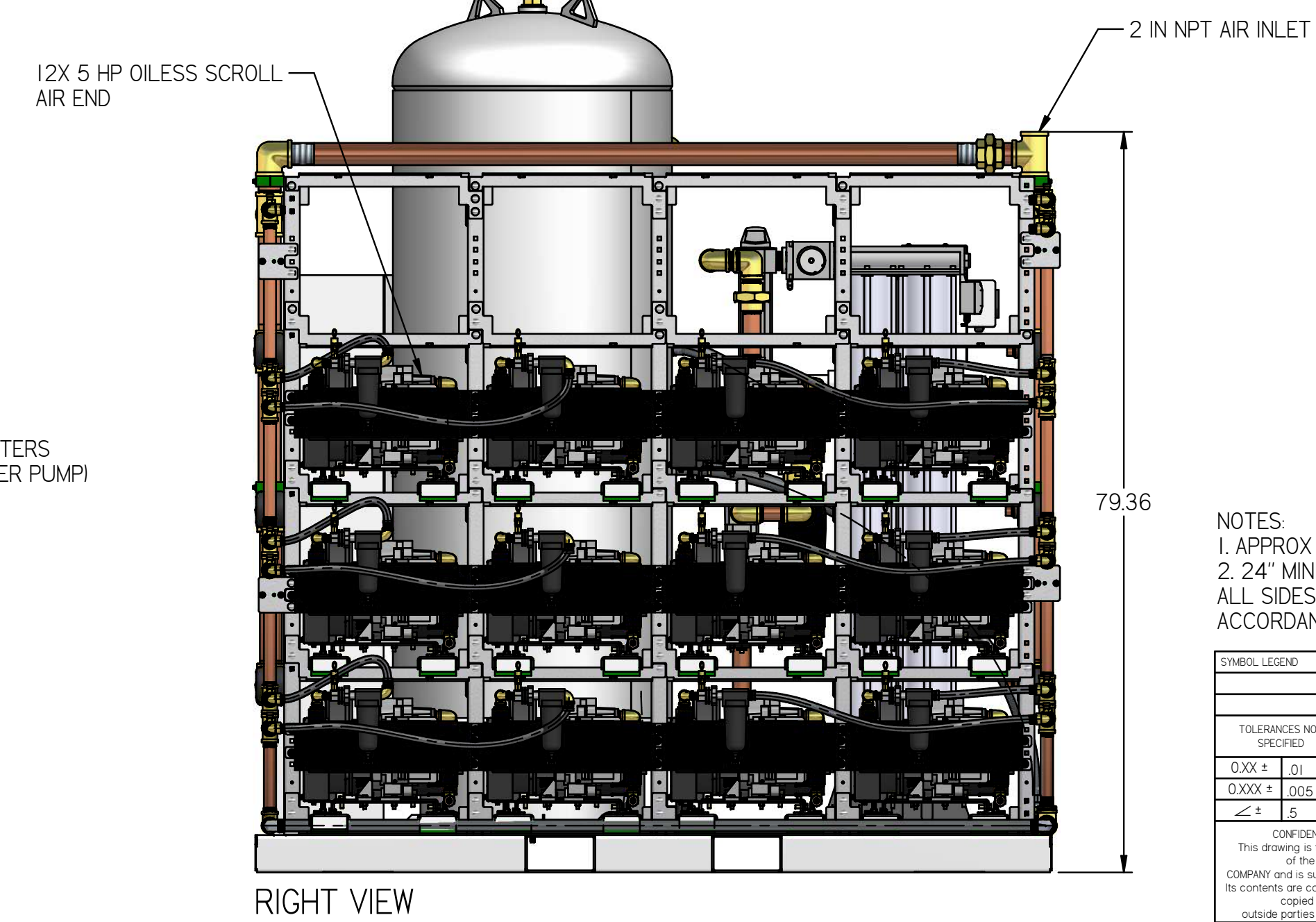
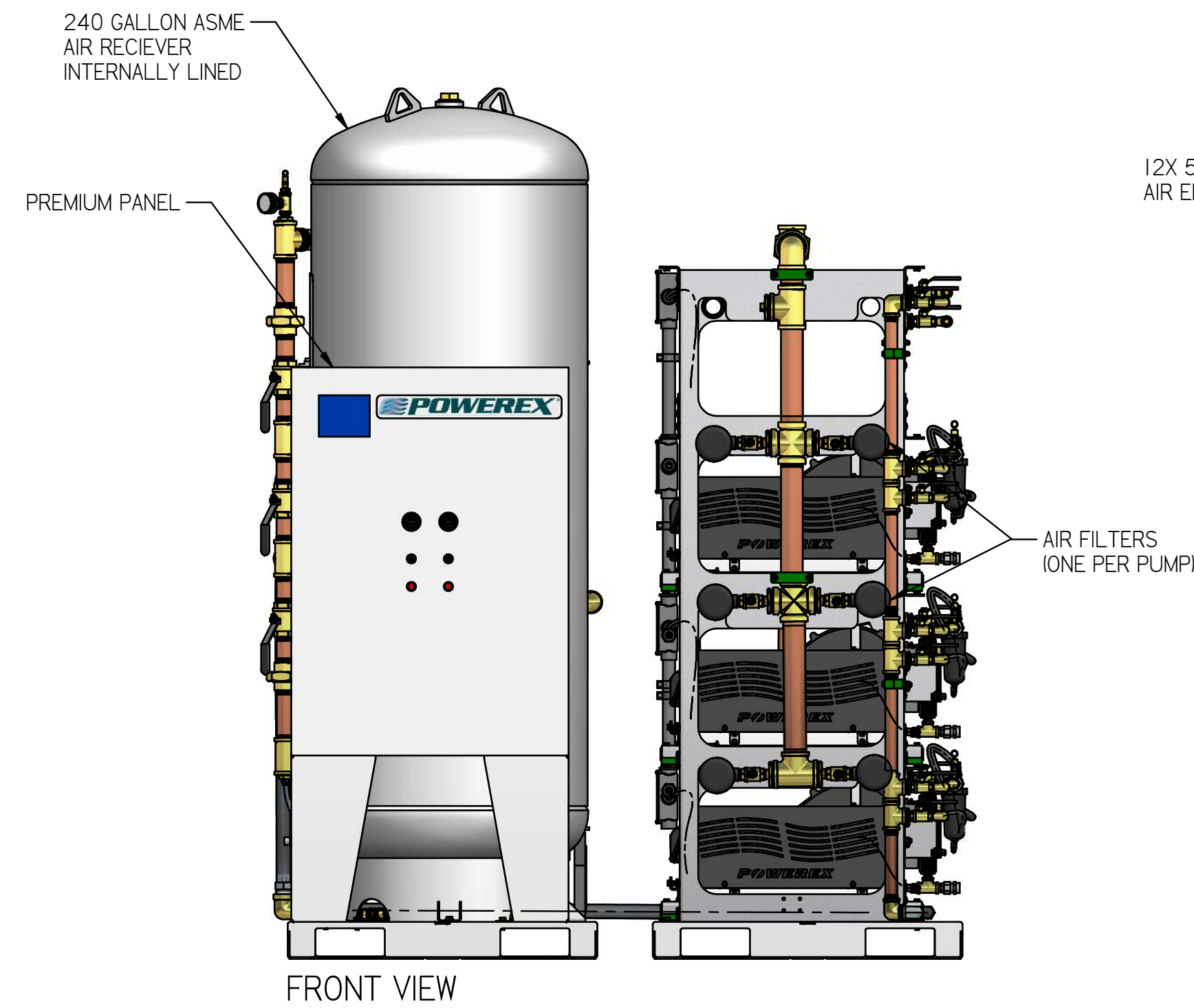
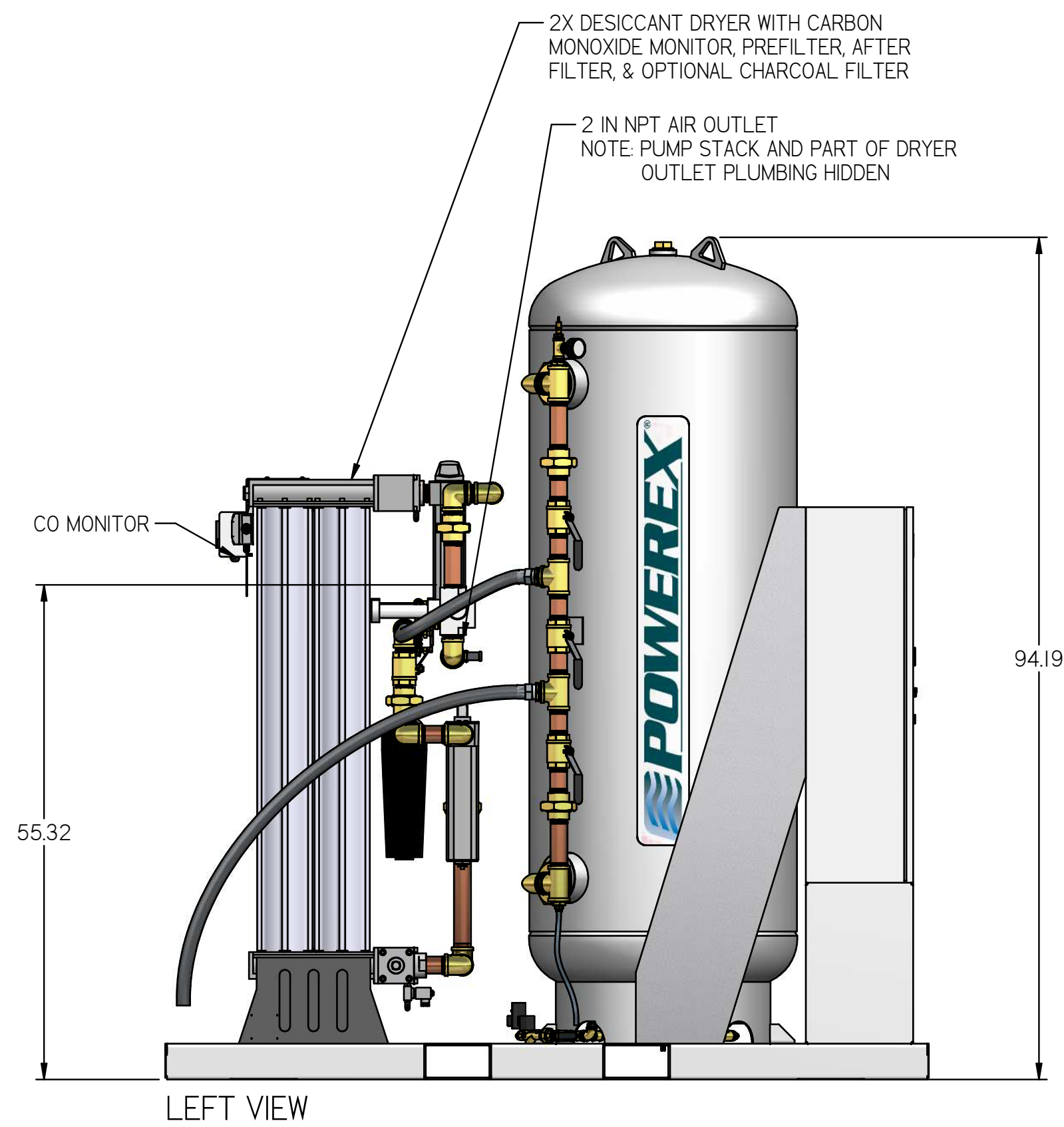
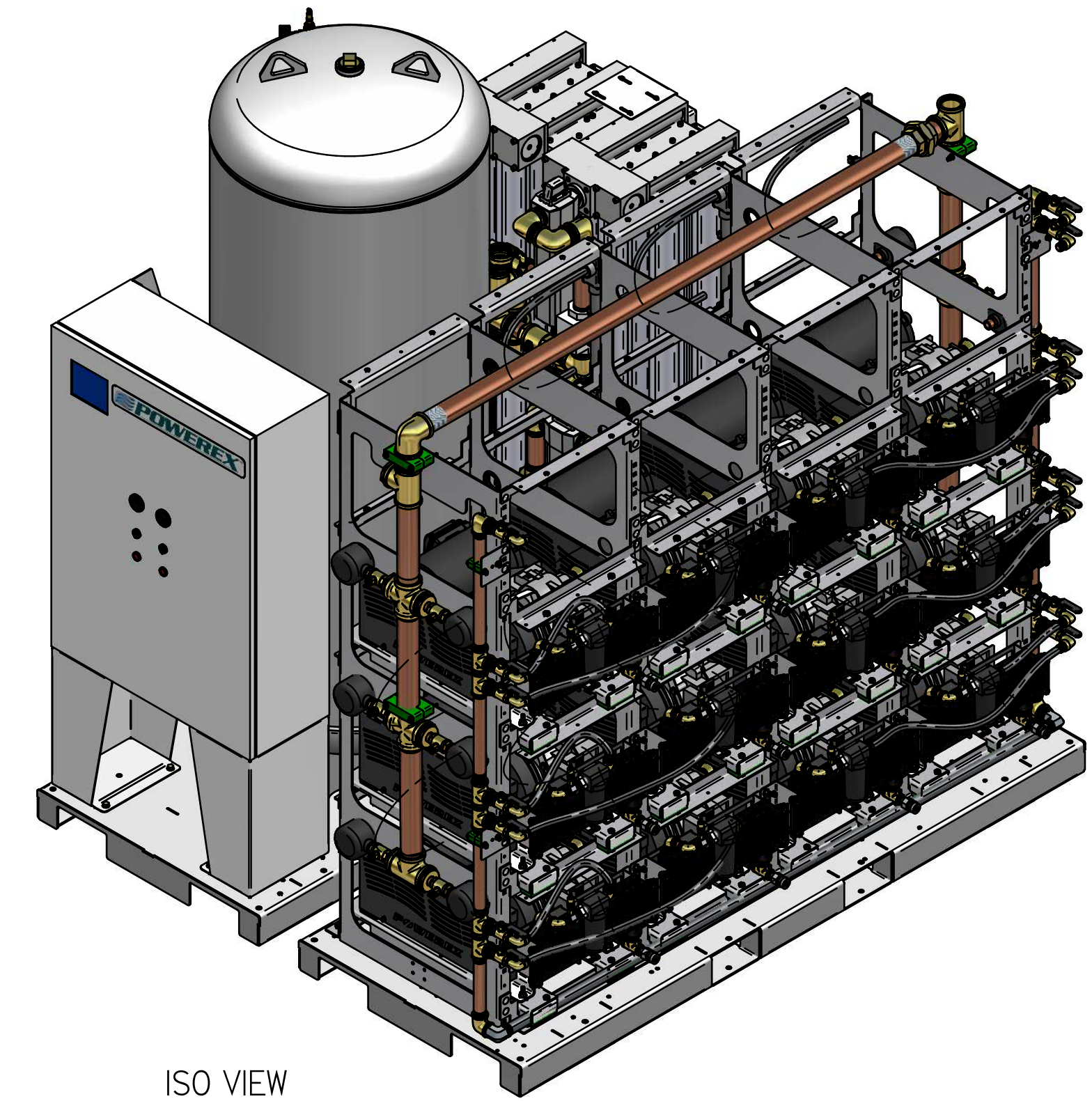
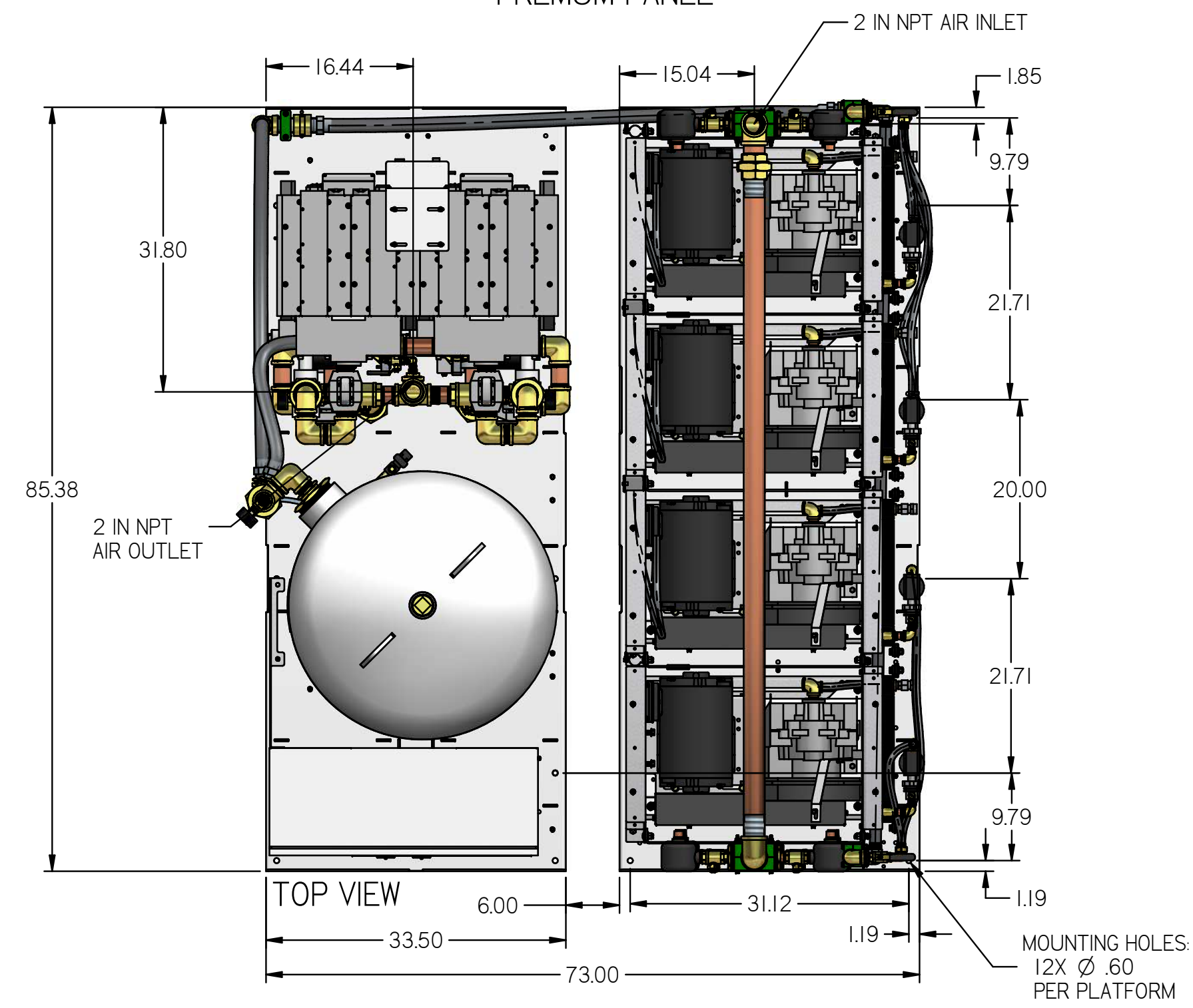


MSQ15A6-EX5

MEDICAL SCROLL 15 HP
 QUADPLEX EXPANDABLE TO
 PENT WITH 240 GALLON AIR
 RECIEVER
 PREMUM PANEL

REVISION NOTES		
DESCRIPTION	ECN	PR/NOR
PRODUCTION RELEASE	PXEC0169	N/A



- NOTES:
- APPROX SYSTEM WEIGHT: 5898 LB
 - 24" MINIMUM MAINTENANCE CLEARANCE RECOMMENDED ALL SIDES. CLEARANCE FOR CONTROL PANEL SHALL BE IN ACCORDANCE WITH OSHA/NEC REQUIREMENTS

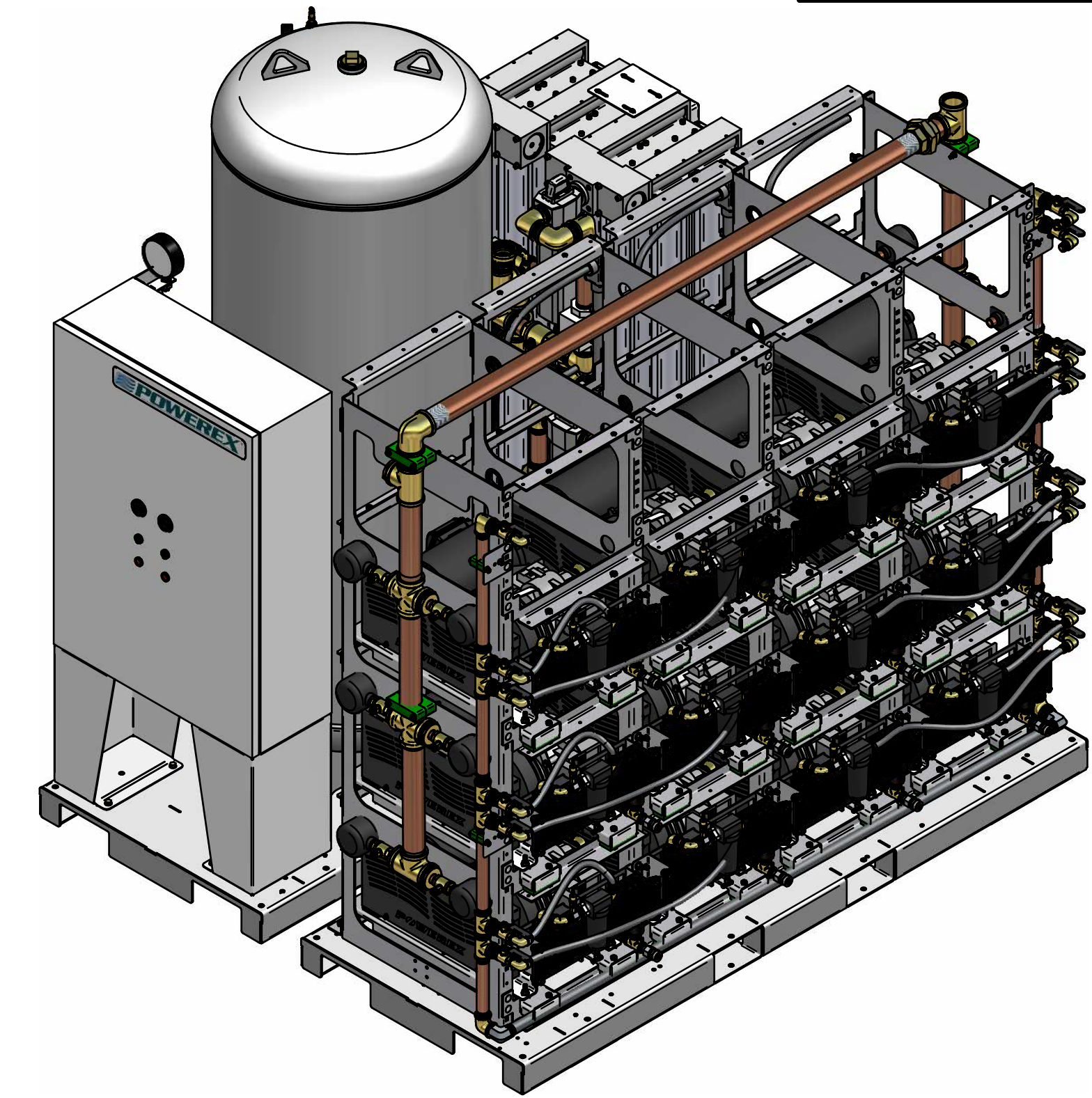
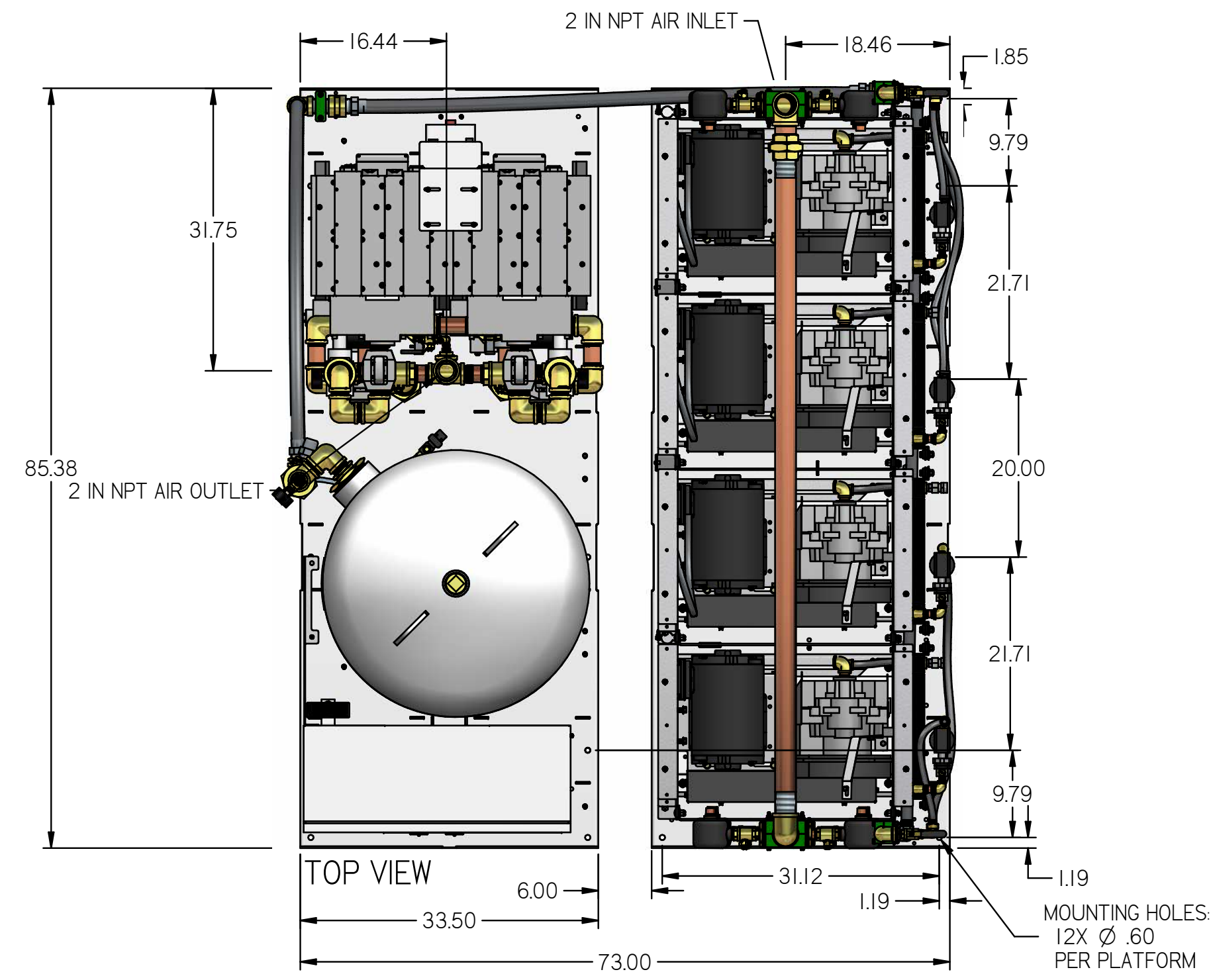
SYMBOL LEGEND		DRAWINGS TO CONFORM TO CURRENT REVISION OF THE FOLLOWING ANSI STANDARDS:		
TOLERANCES NOT SPECIFIED	SOLID EDGE DRAWING	DO NOT SCALE DRAWING FOR DIMENSIONS		
0.XXX ± .01	INCH	SHEET 1 OF 5	SCALE	1:1.4, 2:1
0.XXX ± .005				
CONFIDENTIAL DISCLOSURE: This drawing is the property of POWEREX of the SCOTT FETTER COMPANY and is subject to return on demand. Its contents are confidential and must not be copied or submitted to outside parties for use or examination.		AUTHOR	ORIGINATION DATE	APPROVALS ON FILE IN PLM
716001		ASoulek	11/5/2018	
MATERIAL: SEE PART DRAWINGS				
DESCRIPTION: MEDICAL SCROLL 15 HP QUADPLEX EXPANDABLE TO PENT WITH 240 GALLON AIR RECIEVER		DRAWING NUMBER: MSQ15A6-EX5	REVISION: B	SIZE: D



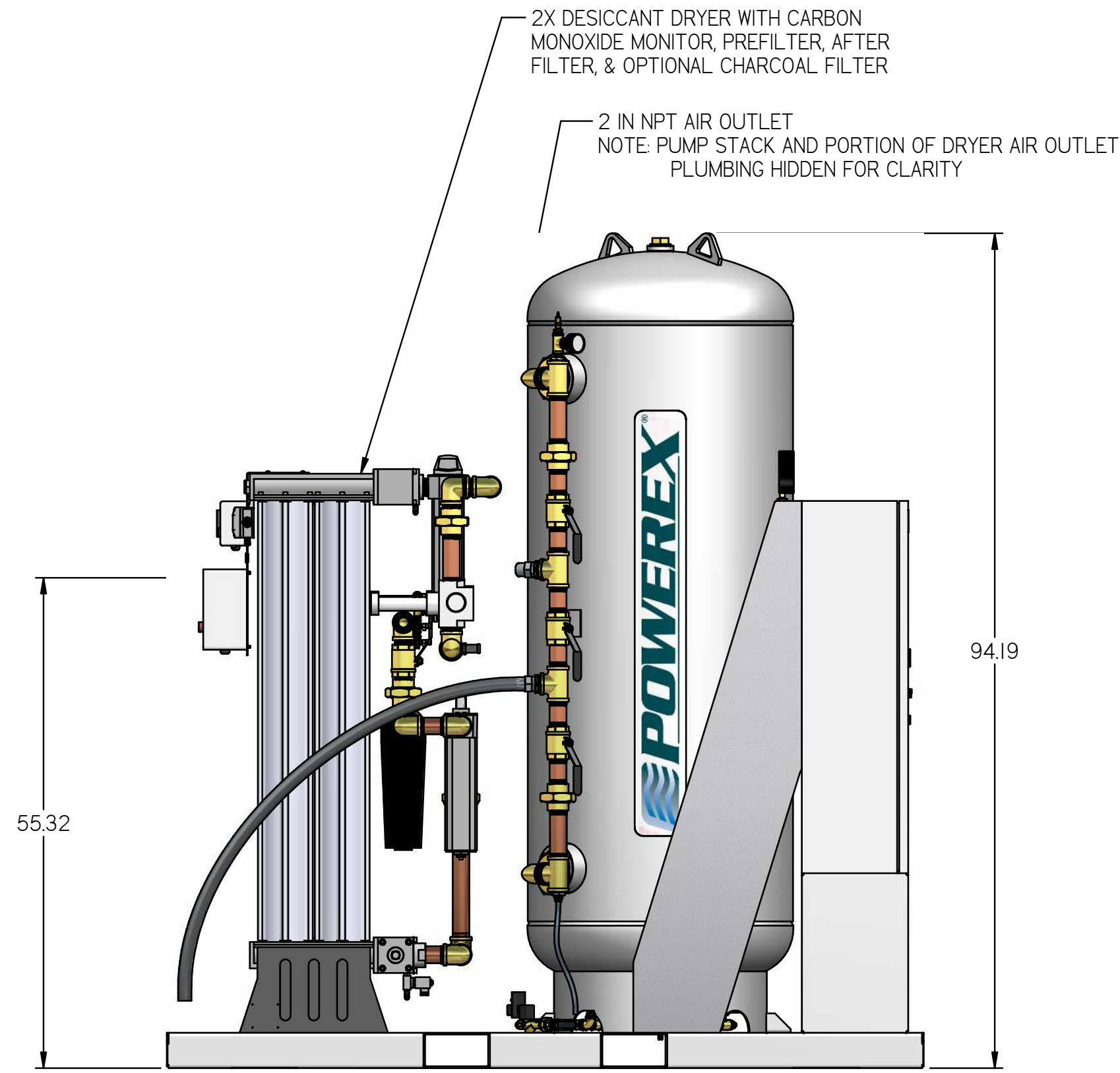
REVISION NOTES		
DESCRIPTION	ECN	PR/NOR
PRODUCTION RELEASE	PXECO169	N/A

MSQ15A6-EX5

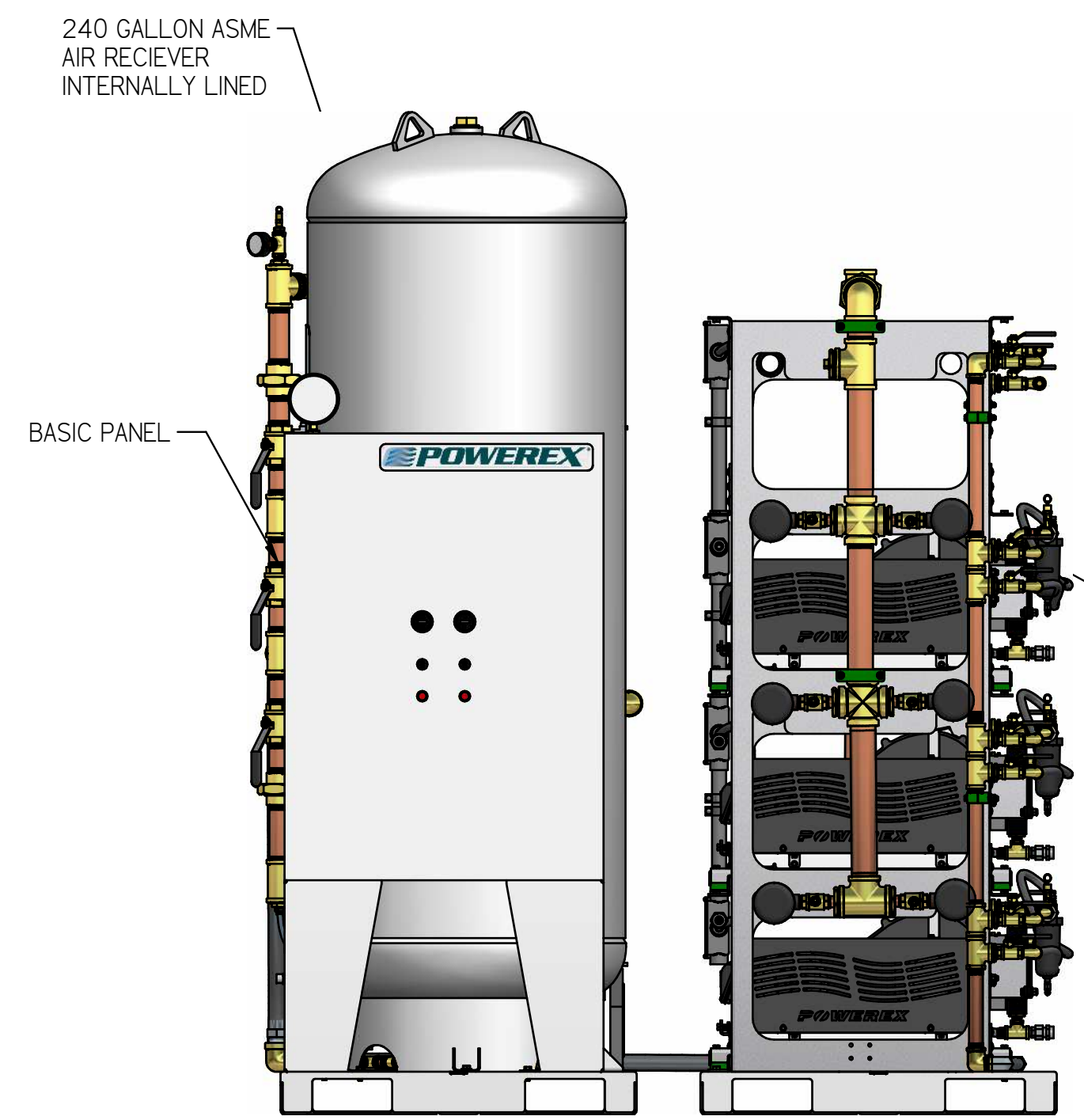
MEDICAL SCROLL 15 HP
 QUADPLEX EXPANDABLE TO
 PENT WITH 240 GALLON AIR
 RECIEVER
 BASIC PANEL



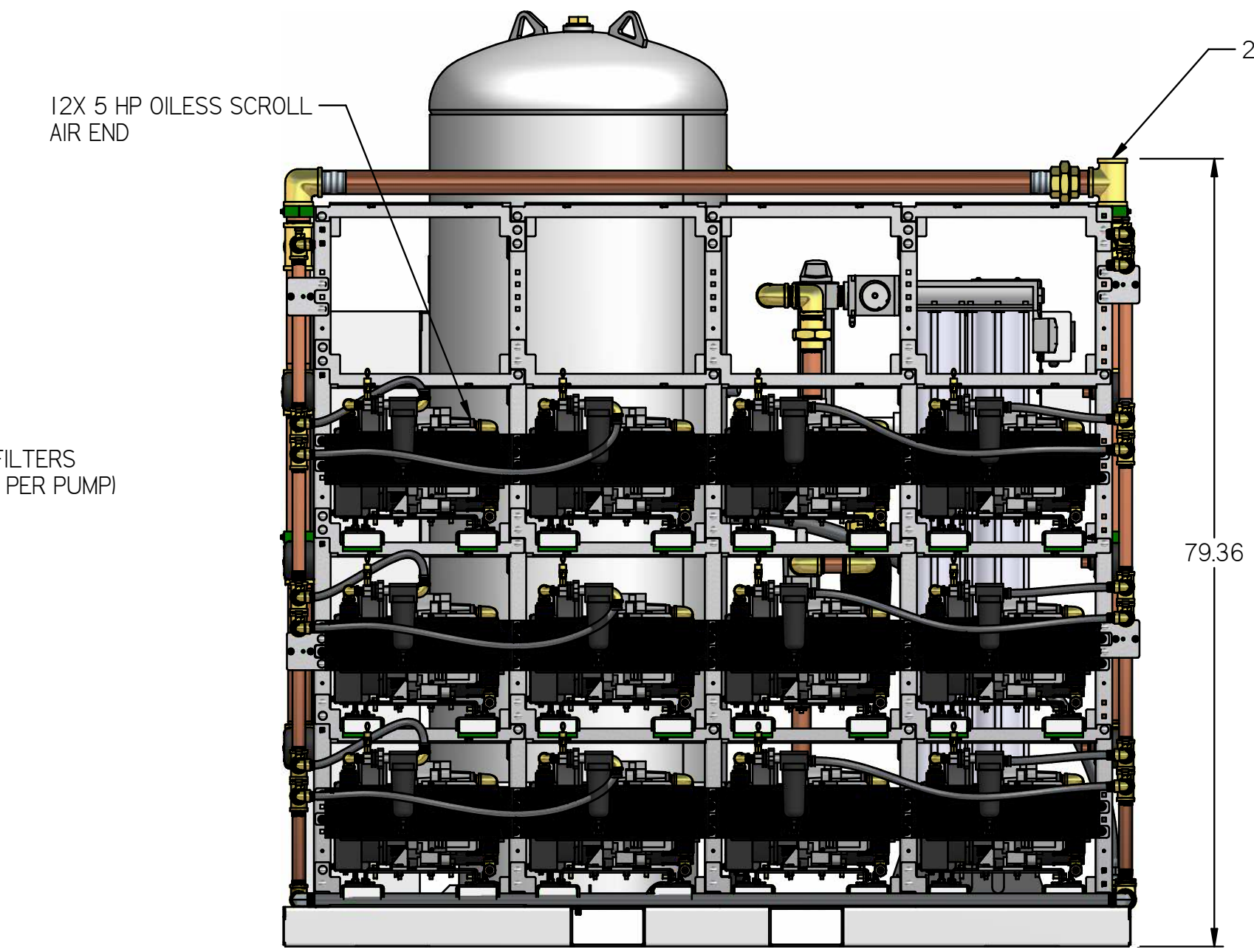
ISO VIEW



LEFT VIEW



FRONT VIEW



RIGHT VIEW

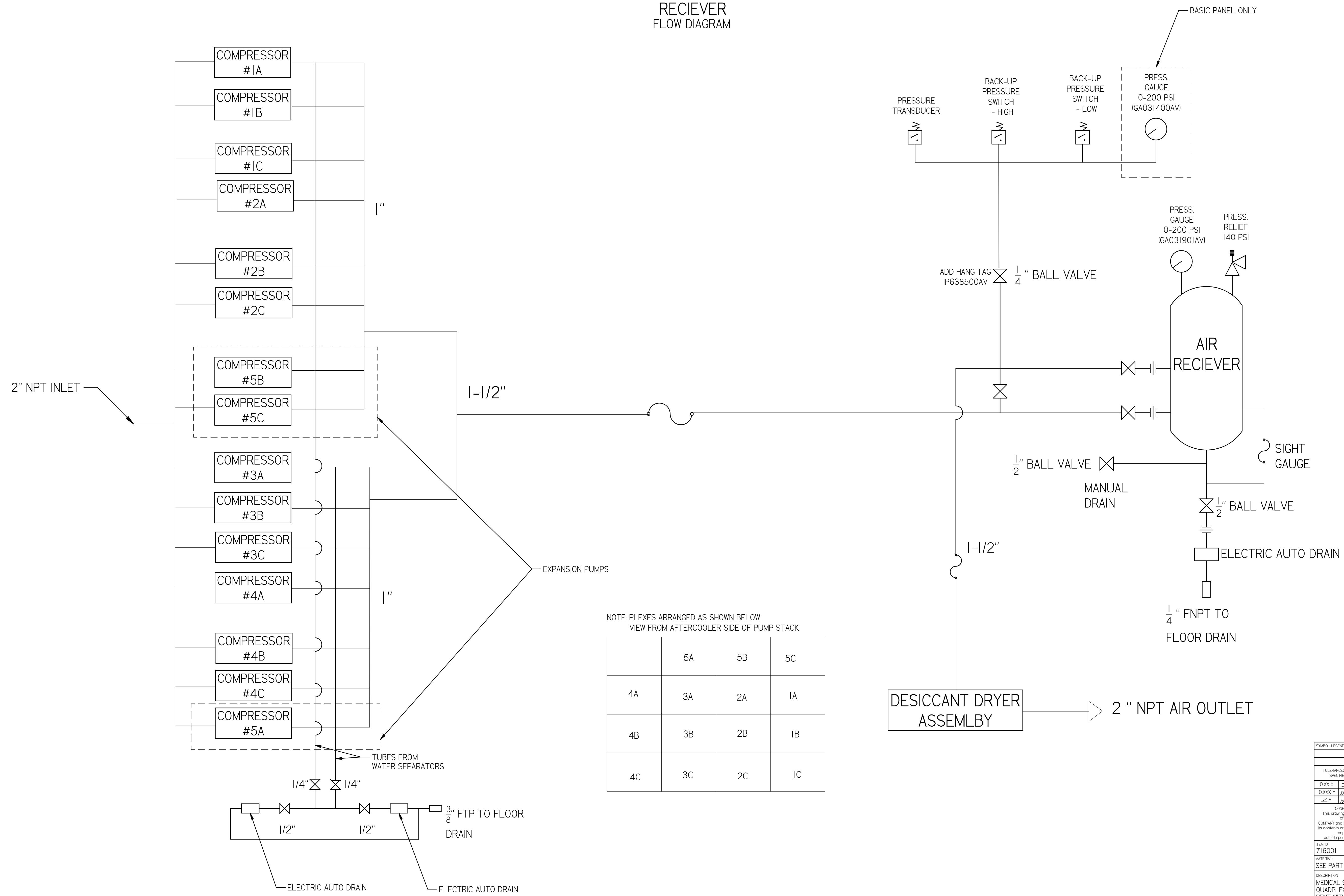
- NOTES:
 1. APPROX SYSTEM WEIGHT: 5898 LB
 2. 24" MINIMUM MAINTENANCE CLEARANCE RECOMMENDED ALL SIDES. CLEARANCE FOR CONTROL PANEL SHALL BE IN ACCORDANCE WITH OSHA/NEC REQUIREMENTS

SYMBOL LEGEND		DRAWINGS TO CONFORM TO CURRENT REVISION OF THE FOLLOWING ANSI STANDARDS:		
TOLERANCES NOT SPECIFIED	SOLID EDGE DRAWING	1:4:3 MULTI AND SECTIONAL VIEW DIMS	1:4:3 DIMENSIONING AND TOLERANCING	
0.XXX ± .01	DRAWING	DO NOT SCALE DRAWING FOR DIMENSIONS	SHEET 2 OF 5	
0.XXX ± .005				SCALE
<small>CONFIDENTIAL DISCLOSURE</small> This drawing is the property of POWEREX of the SCOTT FETTER COMPANY and is subject to return on demand. Its contents are confidential and must not be copied or submitted to outside parties for use or examination.		AUTHOR	ORIGINATION DATE	APPROVALS ON FILE IN PLM
TITLE: 716001		ASoulek	11/5/2018	
MATERIAL: SEE PART DRAWINGS				
DESCRIPTION: MEDICAL SCROLL 15 HP QUADPLEX EXPANDABLE TO PENT WITH 240 GALLON AIR RECIEVER		DRAWING NUMBER	REVISION	SIZE
		MSQ15A6-EX5	B	D

REVISION NOTES		
DESCRIPTION	ECN	PR/NOR
PRODUCTION RELEASE	PXEC0169	N/A

MSQ15A6-EX5

MEDICAL SCROLL 15 HP
QUADPLEX EXPANDABLE TO
PENT WITH 240 GALLON AIR
RECIEVER
FLOW DIAGRAM



NOTE: PLEXES ARRANGED AS SHOWN BELOW
VIEW FROM AFTERCOOLER SIDE OF PUMP STACK

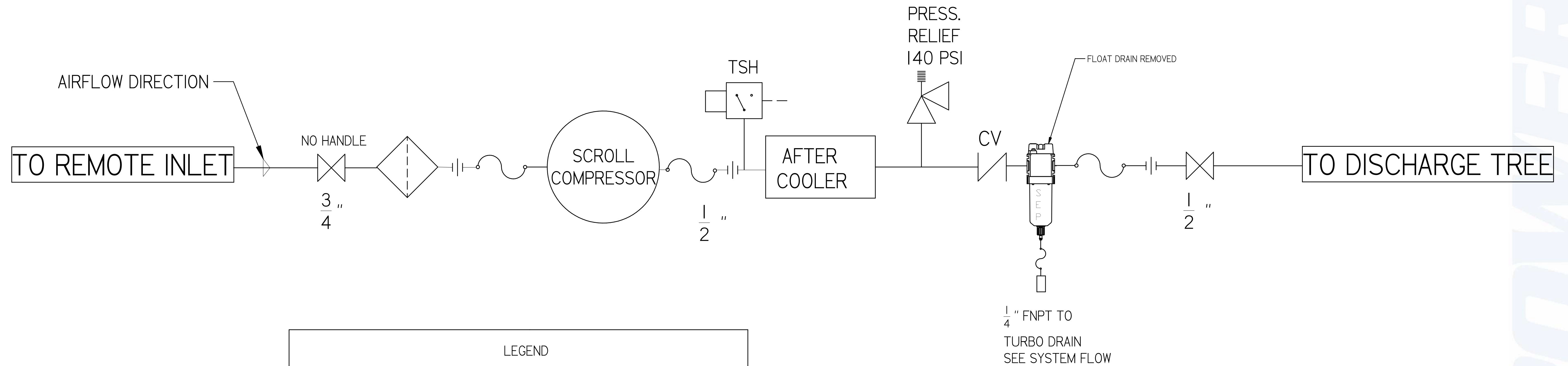
	5A	5B	5C
4A	3A	2A	1A
4B	3B	2B	1B
4C	3C	2C	1C

SYMBOL LEGEND		DRAWINGS TO CONFORM TO CURRENT REVISION OF THE FOLLOWING ANSI STANDARDS:	
		Y14.3 MULTI-VIEW AND SECTIONAL VIEW DWGS	
		Y14.5 DIMENSIONING AND TOLERANCING	
TOLERANCES NOT SPECIFIED	SOLID EDGE DRAWING	DO NOT SCALE DRAWING FOR DIMENSIONS	
0.XXX ± .01	INCH	SHEET 3 OF 5	SCALE 1:1
0.XXX ± .005			
CONFIDENTIAL DISCLOSURE: This drawing is the property of POWEREX or the SCOTT FETTER COMPANY and is subject to return on demand. Its contents are confidential and must not be copied or submitted to outside parties for use or examination.		AUTHOR	APPROVALS ON FILE IN PLM
MATERIAL: 716001		ASoulek	11/5/2018
SEE PART DRAWINGS			
DESCRIPTION: MEDICAL SCROLL 15 HP QUADPLEX EXPANDABLE TO PENT WITH 240 GALLON AIR RECIEVER		DRAWING NUMBER: MSQ15A6-EX5	REVISION: B
			SIZE: D

MSQ15A6-EX5

MEDICAL SCROLL 15 HP
 QUADPLEX EXPANDABLE TO
 PENT WITH 240 GALLON AIR
 RECIEVER

REVISION NOTES		
DESCRIPTION	ECN	PR/NOR
PRODUCTION RELEASE	PXECO169	N/A



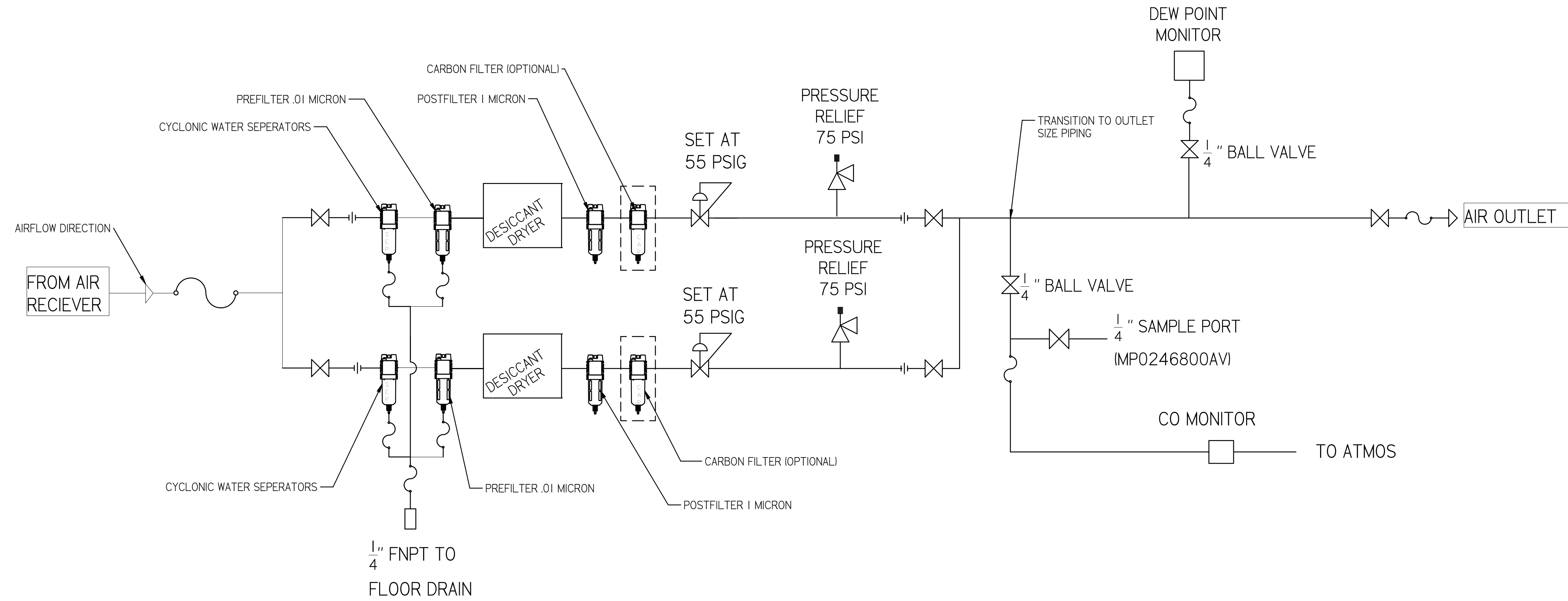
LEGEND	
	RELIEF VALVE
	INTAKE FILTER
	AIR FILTER
	3 WAY VALVE
	CARBON FILTER
	BALL VALVE
	PRESSURE SWITCH
	REGULATOR
	SEPARATOR
	CHECK VALVE
	FLEX LINE
	TSH HIGH TEMP SWITCH

SYMBOL LEGEND		DRAWINGS TO CONFORM TO CURRENT REVISION OF THE FOLLOWING ANSI STANDARDS:	
		Y14.3 MULTI AND SECTIONAL VIEW DIMS	
		Y14.5 DIMENSIONING AND TOLERANCING	
TOLERANCES NOT SPECIFIED:	SOLID EDGE DRAWING	DO NOT SCALE DRAWING FOR DIMENSIONS	
0.001 ± .01			
0.005 ± .005	INCH	SHEET 4 OF 5	SCALE 1:1
CONFIDENTIAL DISCLOSURE This drawing is the property of POWEREX of the SCOTT FETTER COMPANY and is subject to return on demand. Its contents are confidential and must not be copied or submitted to outside parties for use or examination.		AUTHOR	APPROVALS ON FILE IN PLM
		ASoulek	11/5/2018
PART NUMBER 716001			
MATERIAL SEE PART DRAWINGS		150 PRODUCTION DRIVE, HARRISON OH 45030 888-768-7079	
DESCRIPTION MEDICAL SCROLL 15 HP QUADPLEX EXPANDABLE TO PENT WITH 240 GALLON AIR RECIEVER		DRAWING NUMBER MSQ15A6-EX5	REVISION B D

REVISION NOTES		
DESCRIPTION	ECN	PR/NOR
PRODUCTION RELEASE	PXECO169	N/A

MSQ15A6-EX5

MEDICAL SCROLL 15 HP
QUADPLEX EXPANDABLE TO
PENT WITH 240 GALLON AIR
RECIEVER



PUMP COUNT	DRYER PLUMBING SIZE	OUTLET PIPE SIZE
2	1/2"	1/2"
3	1/2"	1"
4	1/2"	1"
6	1"	1-1/2"
8	1"	1-1/2"
9	1"	1-1/2"
12	1-1/2"	2"
15	1-1/2"	2"
18	1-1/2"	2"

SYMBOL LEGEND		DRAWINGS TO CONFORM TO CURRENT REVISION OF THE FOLLOWING ANSI STANDARDS: Y14.3 MULTI AND SECTIONAL VIEW DWGS Y14.5 DIMENSIONING AND TOLERANCING	
TOLERANCES NOT SPECIFIED	SOLID EDGE DRAWING	DO NOT SCALE DRAWING FOR DIMENSIONS	
0.XXX ± .01		SHEET 5 OF 5	SCALE 1:1
0.XXX ± .005	AUTHOR		
± .5		ASoulek	11/5/2018
<small>CONFIDENTIAL DISCLOSURE</small> This drawing is the property of POWEREX of the SCOTT FETTER COMPANY and is subject to return on demand. Its contents are confidential and must not be copied or submitted to outside parties for use or examination.			
TITLE: 716001 MATERIAL: SEE PART DRAWINGS		DRAWING NUMBER: MSQ15A6-EX5 REVISION: B SIZE: D	
DESCRIPTION: MEDICAL SCROLL 15 HP QUADPLEX EXPANDABLE TO PENT WITH 240 GALLON AIR RECIEVER		150 PRODUCTION DRIVE, HARRISON OH 45030 (888) 768-7079	

