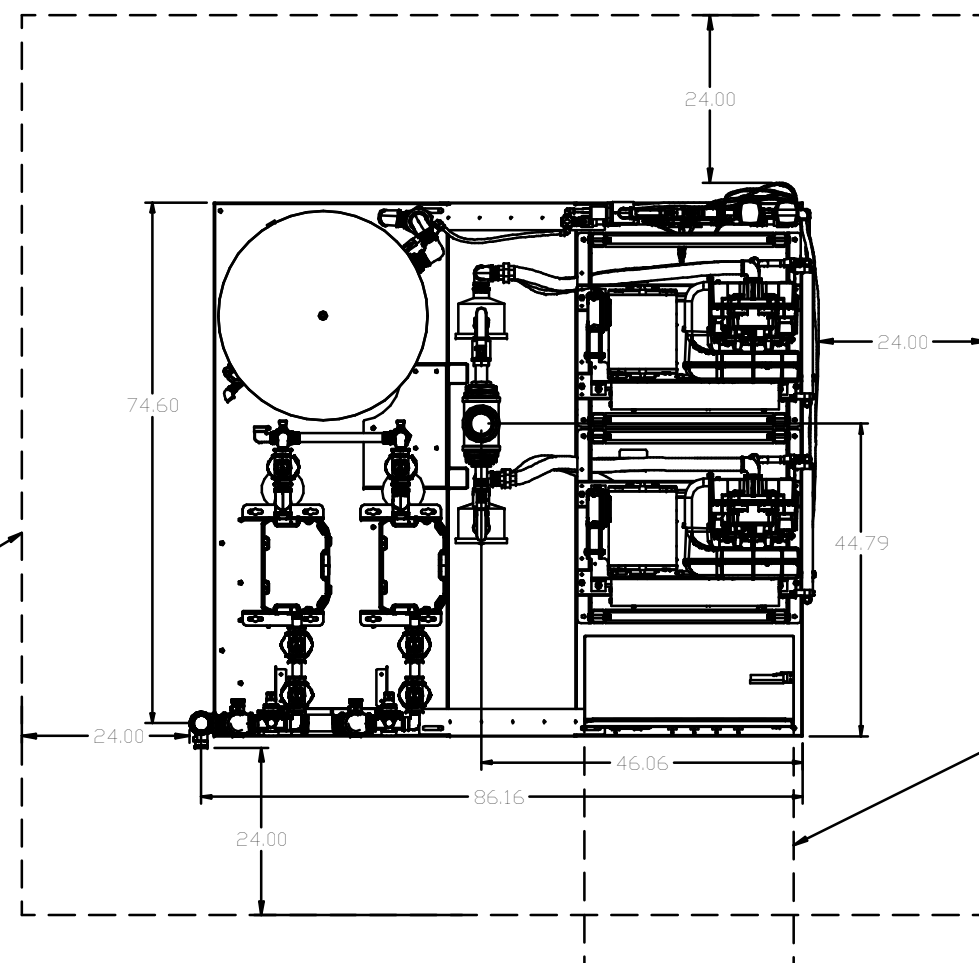


REV	DATE	REVISION	DATE	BY	CHKD	APP'D
1	1/16/15	RELEASE TO PRODUCTION	2/2/15	JBE	DMS	JA
2	1/16/15	CORRECTED SEPARATOR DRAIN LINES TO 1/4"				
3	1/16/15	ADDED NOTE TO REMOVE SEPARATOR FLOAT				
4	1/16/15	CORRECTED VIEW RESTRICTIONS				
5	1/16/15	ADDED OUTLINE FOR RECOMMENDED CLEARANCES				
6	1/16/15	UPDATED TO CURRENT PRODUCTION STANDARDS	2/2/15	JBE	DMS	JA
7	1/16/15	REPLACED OLD BRACKET WITH NEW BRACKET	2/2/15	JBE	DMS	JA

NOTE: SYSTEM DESIGNED IN COMPLIANCE WITH US NFPA'99, LATEST EDITION.

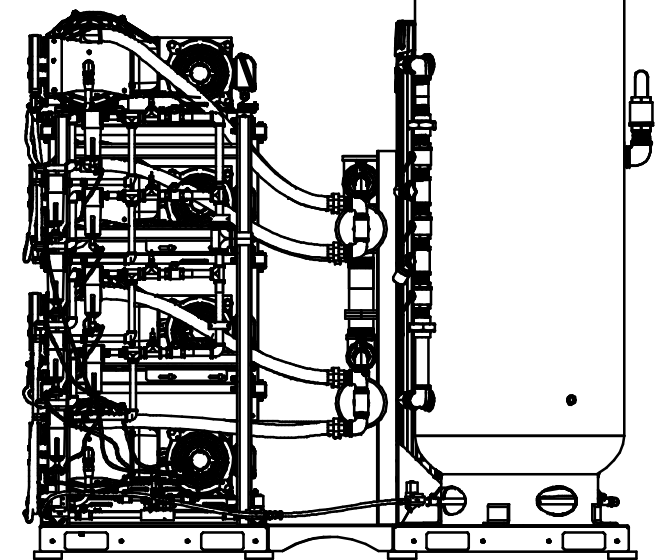
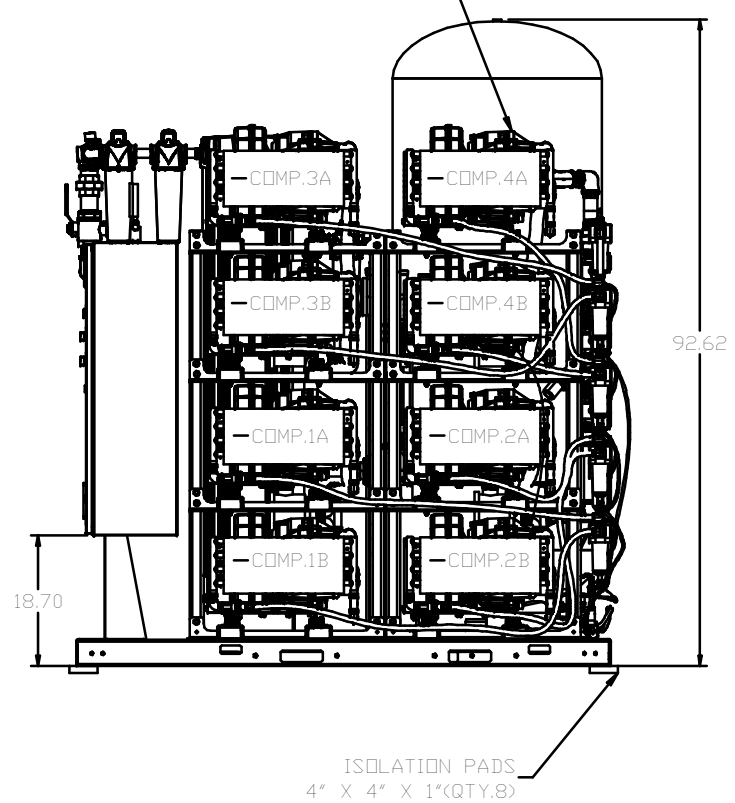
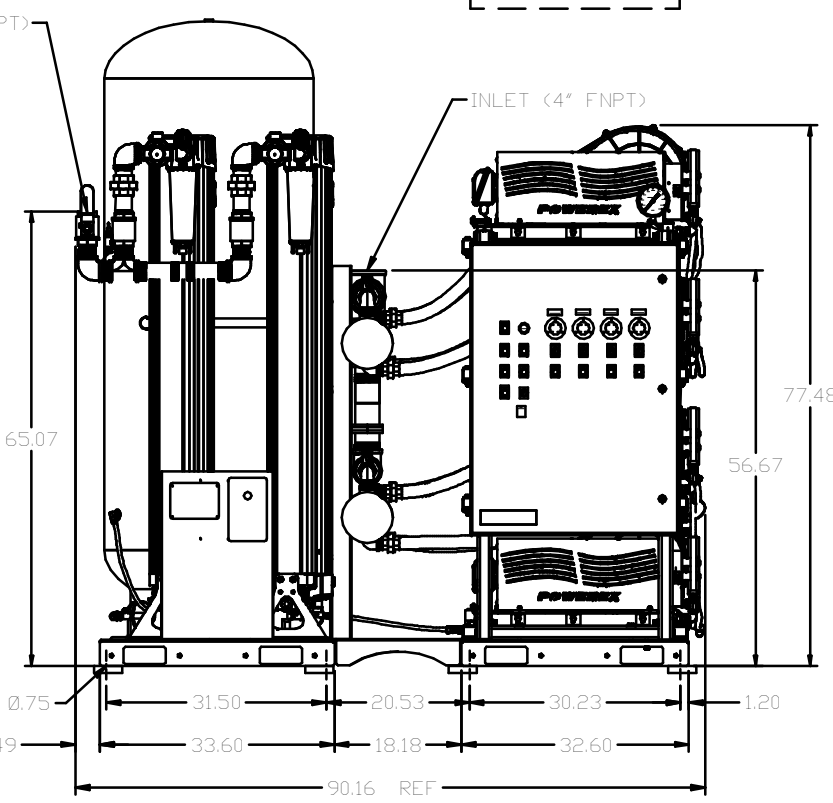
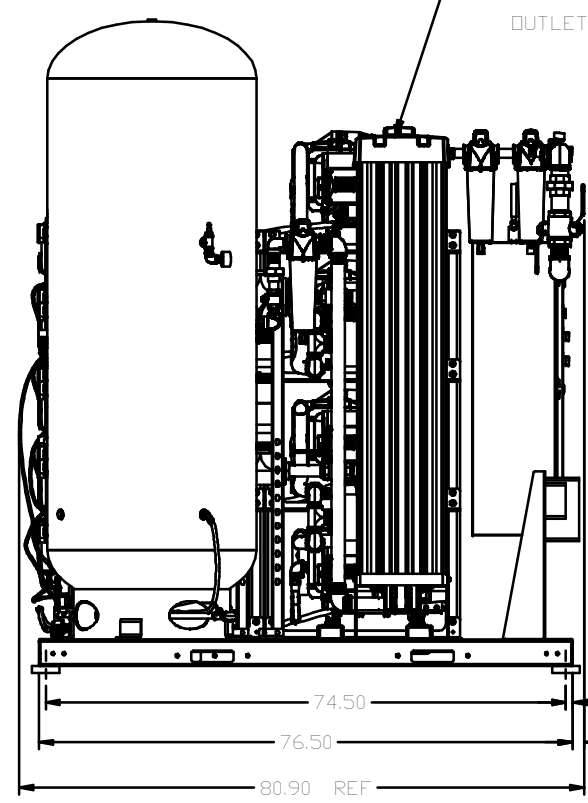


2X DESICCANT DRYERS W/ DEW POINT MONITOR, CARBON MONOXIDE MONITOR, PRE-FILTER, AFTER-FILTER, & CARBON FILTER (OPTIONAL)

MINIMUM RECOMMENDED ELECTRICAL PANEL CLEARANCE PER OSHA/NEC REQUIREMENTS

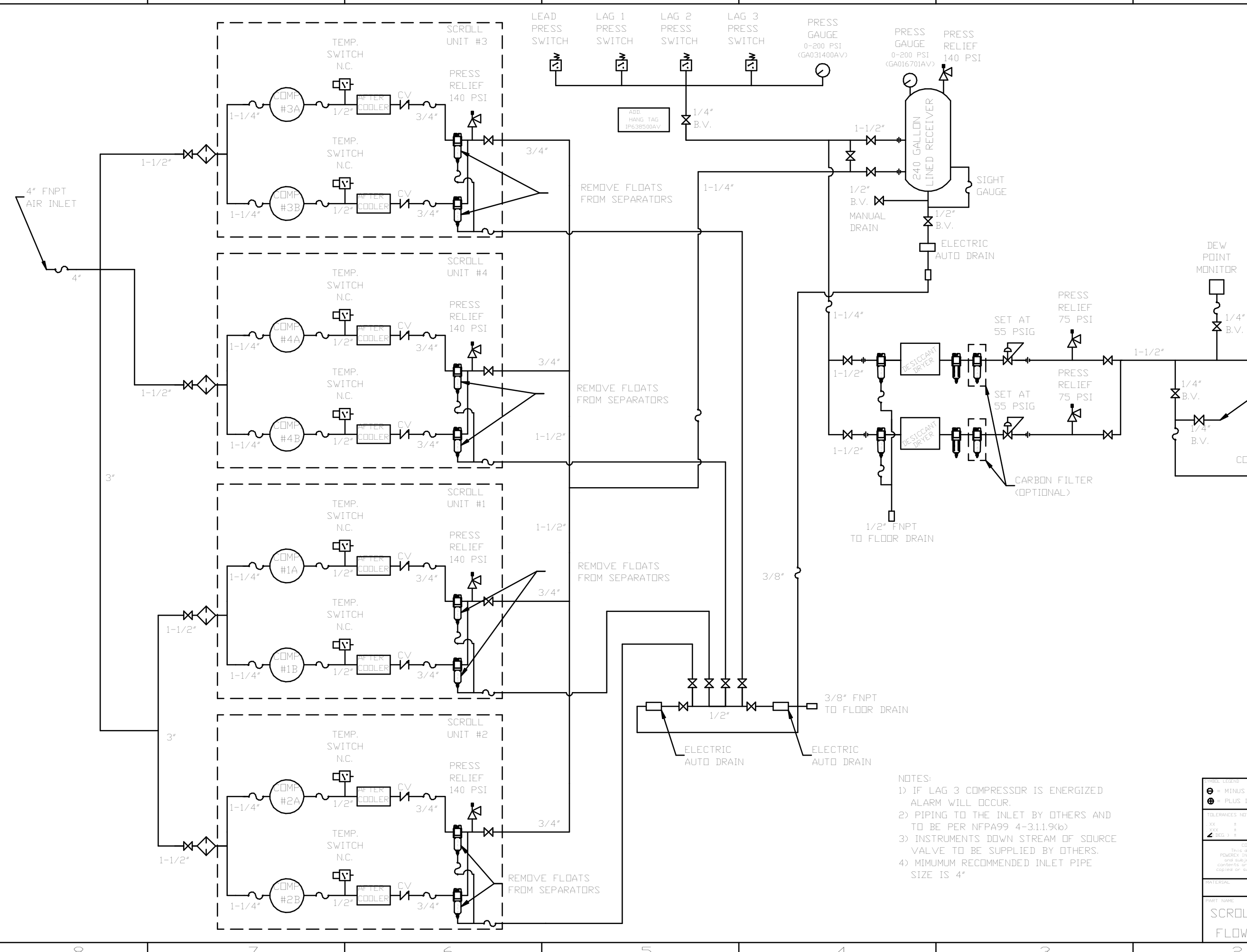
240 GALLON ASME AIR RECEIVER INTERNALLY LINED

4X 15HP OILLESS SCROLL AIR END



TOLERANCES NOT SPECIFIED XX ± XXX ± DEG ±	AUTOCAD REL2008 L1 INCH	DO NOT SCALE DRAWING FOR DIMENSIONS Sheet 1 of 2 SCALE 1:14
CONFIDENTIAL DISCLOSURE This drawing is the property of POWREX INC. or its SODT FETZER CDPAW and subject to return on demand. Its contents are confidential and must not be copied or submitted to outside parties for use or examination.	DRAWN BY JBE	CHECKED BY DMS
MATERIAL N/A	APPROVED BY JA	REVISIONS RJR 2/2/15 2/2/15 2/2/15 2/2/15
PART NAME 15HP MED SCROLL QUAD 240 GAL BASIC	PART NO. MSQ15B6	SIZE D

REV	DATE	REVISION	DATE	BY	CHKD
B-1	ALL	RELEASE FOR PRODUCTION	2/2/15	JBE	DMS
C-1	ALL	CORRECTED SEPARATOR BRAIN LINES TO J/V ADDED NOTE TO REMOVE SEPARATOR FLOAT CORRECTED VIEW POSITIONING ADDED OUTLINE FOR RECOMMENDED CLEARANCES	1/18/17	JBE	GES
B-1	ALL	UPDATED TO CURRENT PRODUCTION STANDARDS	2/19/18	JBE	GES
E-1	ALL	REPLACED OLD BRACKET WITH NEW BRACKET	7/27/18	JBE	GES



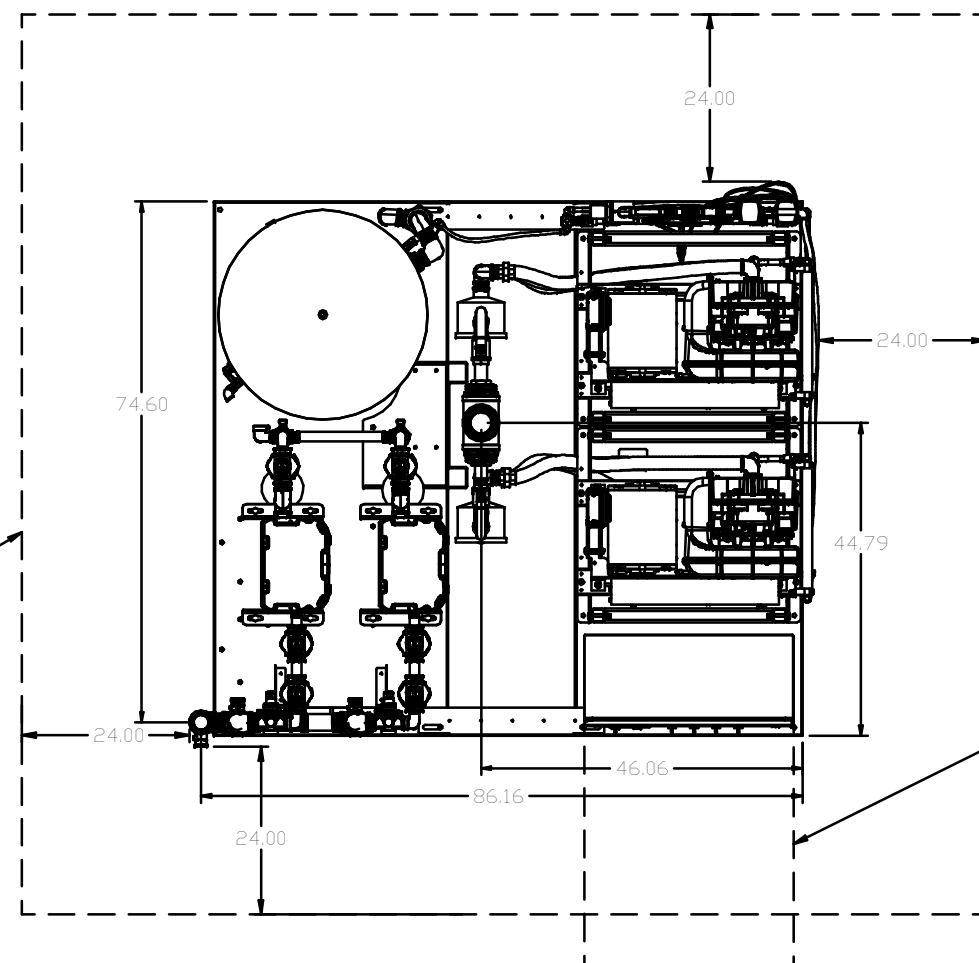
LEGEND	
	RELIEF VALVE
	INTAKE FILTER
	AIR FILTER
	3 WAY VALVE
	CARBON FILTER
	BALL VALVE
	PRESSURE SWITCH
	REGULATOR
	SEPARATOR
	CHECK VALVE
	FLEX LINE
	HIGH TEMP SWITCH
	UNION

- NOTES:
- 1) IF LAG 3 COMPRESSOR IS ENERGIZED ALARM WILL OCCUR.
 - 2) PIPING TO THE INLET BY OTHERS AND TO BE PER NFPA99 4-3.1.1.9(b)
 - 3) INSTRUMENTS DOWN STREAM OF SOURCE VALVE TO BE SUPPLIED BY OTHERS.
 - 4) MINIMUM RECOMMENDED INLET PIPE SIZE IS 4"

TOLERANCES NOT SPECIFIED XX ± XXX ± 4 DEC 1 ±	AUTOCAD REL2008 LT INCH	DO NOT SCALE DRAWING FOR DIMENSIONS Sheet 2 of 2 SCALE 1:14
CONFIDENTIAL DISCLOSURE This drawing is the property of POWEREX INC. or THE SCOTT FETZER COMPANY and subject to return on demand. Its contents are confidential and must not be copied or submitted to outside parties for use or reproduction.		DRAWN BY: JBE CHECKED BY: DMS 2/2/15
MATERIAL: N/A		APPROVED BY: JA 2/2/15
PART NAME: SCROLL QUADPLEX FLOW SCHEMATIC		DESIGNED BY: MSQ15B6 DATE: 2/2/15

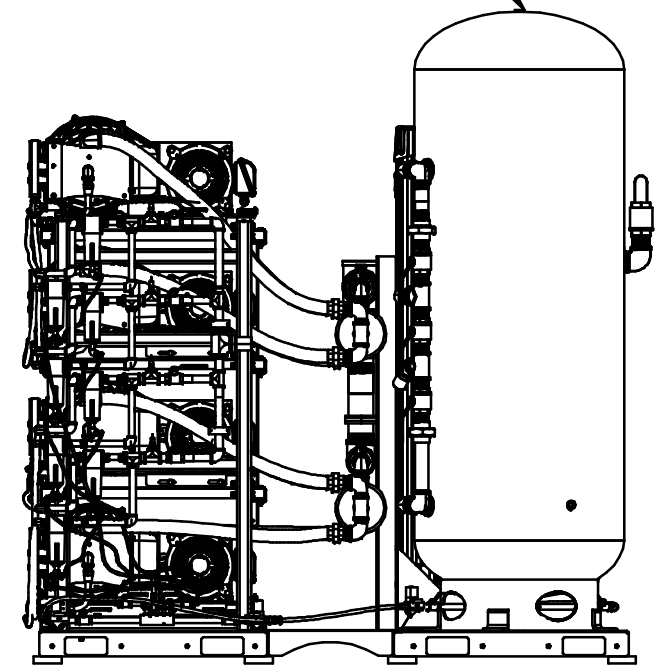
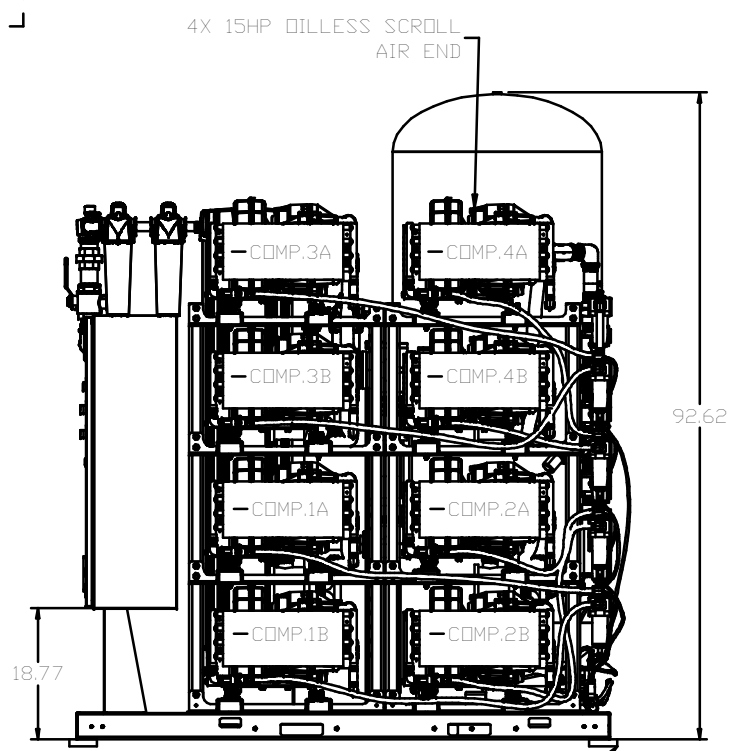
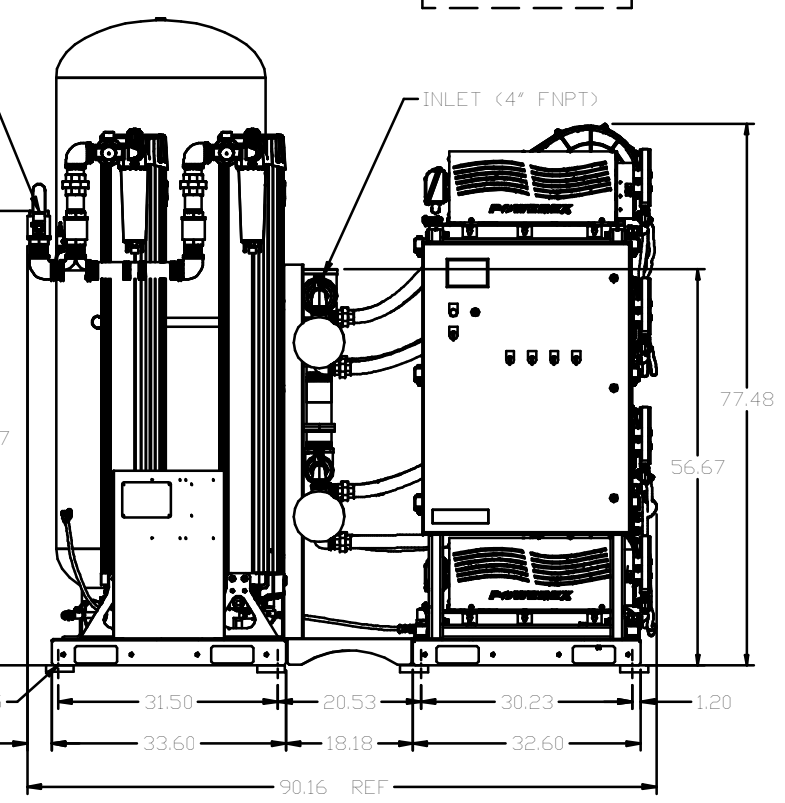
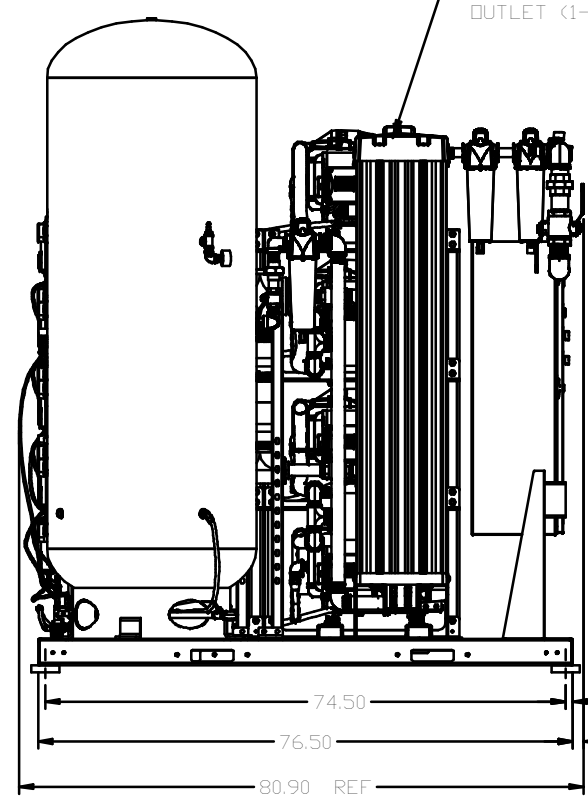
REV	ZONE	REVISION	DATE	EDN	NAME	DRW
B	ALL	RELEASE TO PRODUCTION	2/2/15	PJED001	RJB	SES
C-1	2 ALL	CORRECTED SEPARATOR DRAIN LINES TO 1/4"				
	2 ALL	ADDED NOTE TO REMOVE SEPARATOR FLOAT				
	1 ALL	CORRECTED VIEW RESTRICTIONS	1/16/17	PJED001	RJB	SES
	1 ALL	ADDED OUTLINE FOR RECOMMENDED CLEARANCES				
D	ALL	UPDATED TO CURRENT PRODUCTION STANDARDS	2/19/18	PJED001	RJB	SES
E	1 ALL	REPLACED OLD BRACKET WITH NEW BRACKET	7/27/18	PJED001	RJB	SJA

NOTE: SYSTEM DESIGNED IN COMPLIANCE WITH US NFPA'99, LATEST EDITION.



2X DESICCANT DRYER W/ CARBON MONOXIDE MONITOR, PRE-FILTER, AFTER-FILTER, & CARBON FILTER (OPTIONAL)

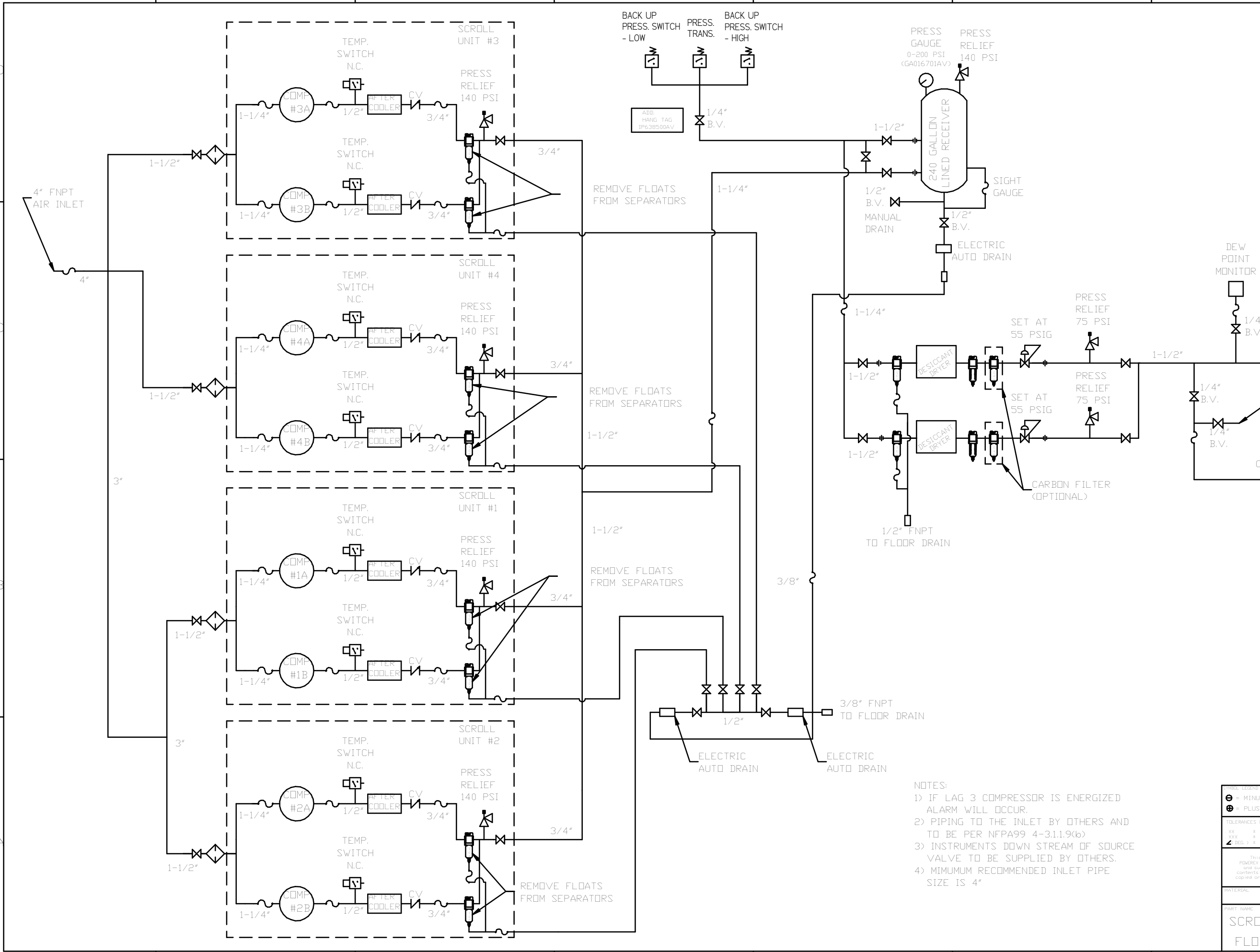
240 GALLON ASME AIR RECEIVER INTERNALLY LINED



ISOLATION PADS 4" X 4" X 1"(QTY:8)

TOLERANCES NOT SPECIFIED XX ± XXX ± < DEG > ±	AUTOCAD REL2008 L1 INCH	DO NOT SCALE DRAWING FOR DIMENSIONS Sheet 1 of 2 SCALE 1:14
CONFIDENTIAL INFORMATION This drawing is the property of POWEREX INC. or the OGDIT-FETZER COMPANY and subject to return on demand. Its contents are confidential and must not be copied or submitted to outside parties for use or examination.	DRAWN BY: JBE CHECKED BY: DWS 2/2/15	APPROVED BY: JJA RJR 2/2/15
MATERIAL: N/A		
PART NAME: 15HP MED SCROLL QUAD 240 GAL PBMI	MSQ15B6	D

REV	ZONE	REVISION	DATE	EDCH	NAME	DRWD
1	ALL	REDESIGNED FOR PRODUCTION	2/2/15	MSQ	JBE	DWS
2	ALL	CORRECTED SEPARATOR DRAIN LINES TO 1/4"				
3	ALL	ADDED NOTE TO REMOVE SEPARATOR FLOAT				
4	ALL	CORRECTED VIEW RESTRICTIONS	1/16/17	PJED004	MJD	SES
5	ALL	ADDED OUTLINE FOR RECOMMENDED CLEARANCES				
6	ALL	UPDATED TO CURRENT PRODUCTION STANDARDS	2/19/18	MSQ	MJD	SES
7	ALL	REPLACED OLD BRACKET WITH NEW BRACKET	7/27/18	PJED004	R.H	SJA



	RELIEF VALVE		PRESSURE SWITCH
	INTAKE FILTER		REGULATOR
	AIR FILTER		SEPARATOR
	3 WAY VALVE		CHECK VALVE
	CARBON FILTER		FLEX LINE
	BALL VALVE		HIGH TEMP SWITCH
			UNION

- NOTES:
- 1) IF LAG 3 COMPRESSOR IS ENERGIZED ALARM WILL OCCUR.
 - 2) PIPING TO THE INLET BY OTHERS AND TO BE PER NFPA99 4-3.1.1.9(b)
 - 3) INSTRUMENTS DOWN STREAM OF SOURCE VALVE TO BE SUPPLIED BY OTHERS.
 - 4) MINIMUM RECOMMENDED INLET PIPE SIZE IS 4"

TOLERANCES NOT SPECIFIED XX ± XXX ± < DEG > ±	AUTOCAD REL2008 L1 INCH	DO NOT SCALE DRAWING FOR DIMENSIONS Sheet 2 of 2 SCALE 1:14
CONFIDENTIAL STATEMENT This drawing is the property of POWEREX INC. or its SCOTT FETZER COMPANY and subject to return on demand. Its contents are confidential and must not be copied or submitted to outside parties for use or examination.	DRAWN BY JBE 2/2/15	CHECKED BY DWS 2/2/15
MATERIAL N/A	APPROVED BY JA 2/2/15	REVISIONS RJR 2/2/15
PART NAME SCROLL QUADPLEX FLOW SCHEMATIC	 100 PRODUCTION DRIVE, HARRISBURG, PA 17112 TEL: 717-733-7875 FAX: 717-733-3122	SHEET NO. MSQ15B6 SIZE D