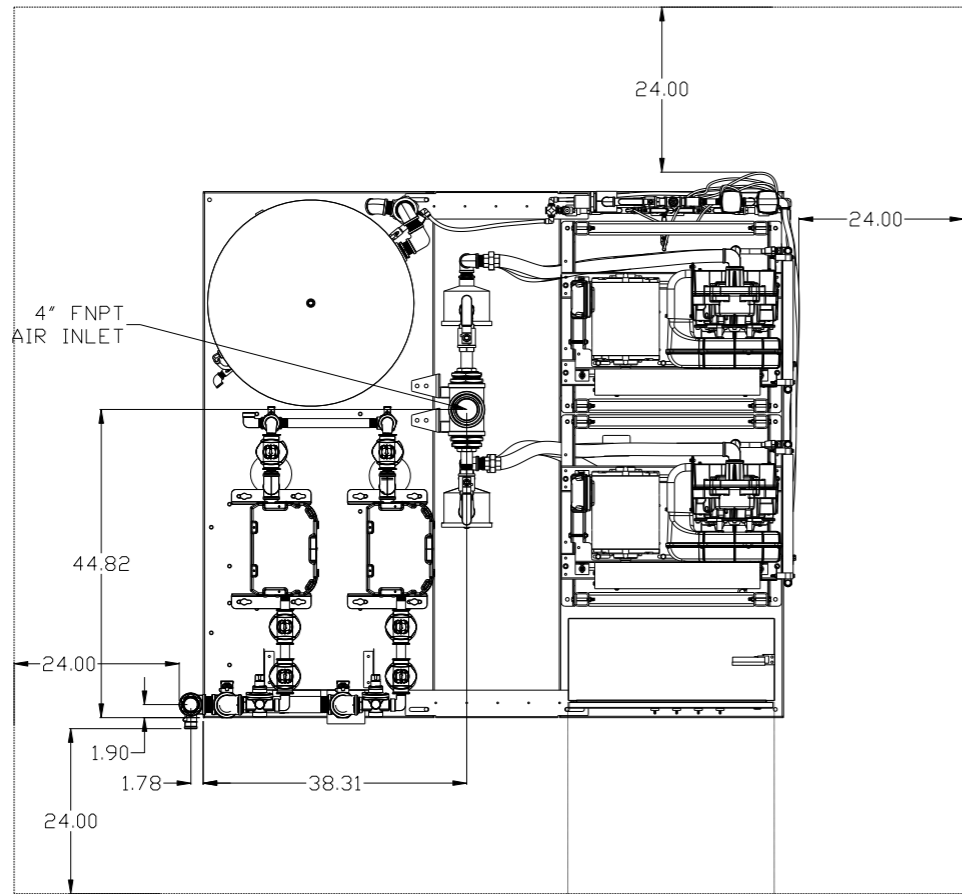


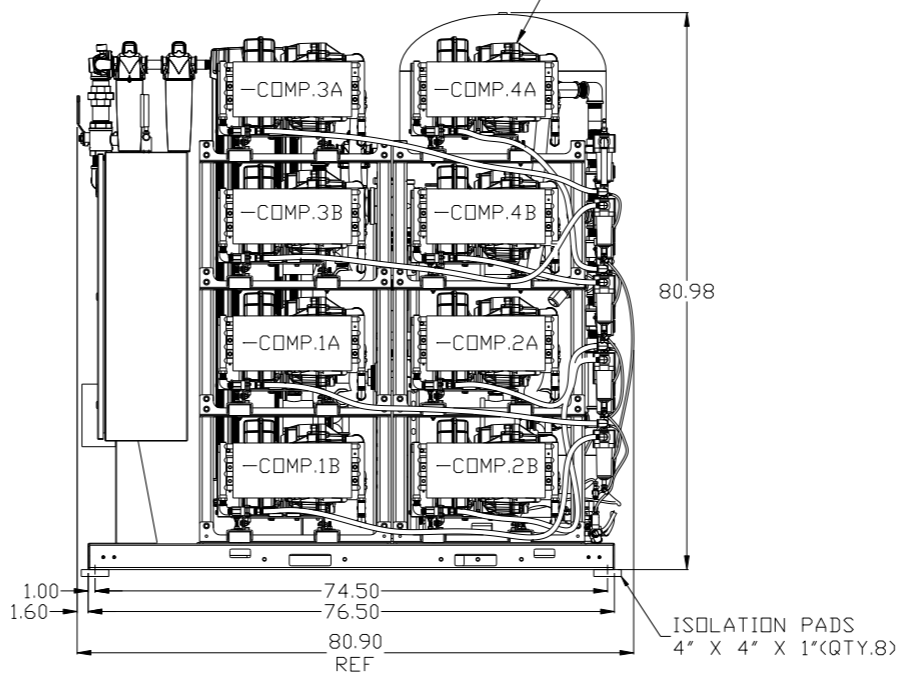
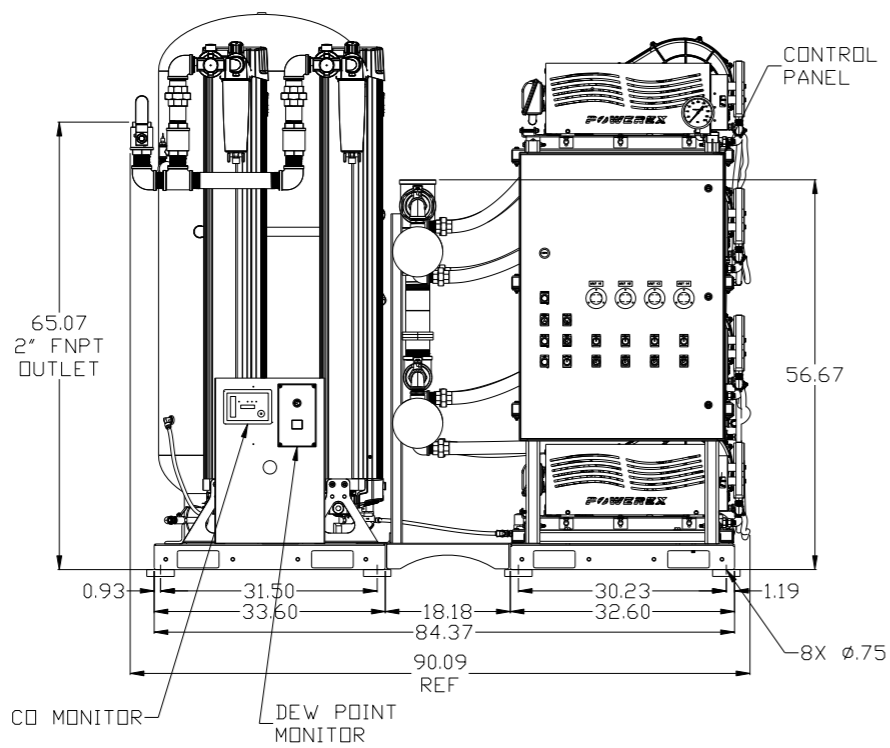
REV	ZONE	REVISION	DATE	ECN	NAME	CHKD
B-1	ALL	RELEASE TO PRODUCTION	6/22/15	PXEC0093	AEK	GES
C-1	A4-C4 C6-B6	CORRECTED SEPARATOR DRAIN LINES ADDED NOTE TO REMOVE SEPARATOR FLDAT	1/21/17	PXEC0167	MJD	GES



MINIMUM RECOMMENDED MAINTENANCE CLEARANCE

MINIMUM RECOMMENDED ELECTRICAL PANEL CLEARANCE PER OSHA/NEC REQUIREMENTS

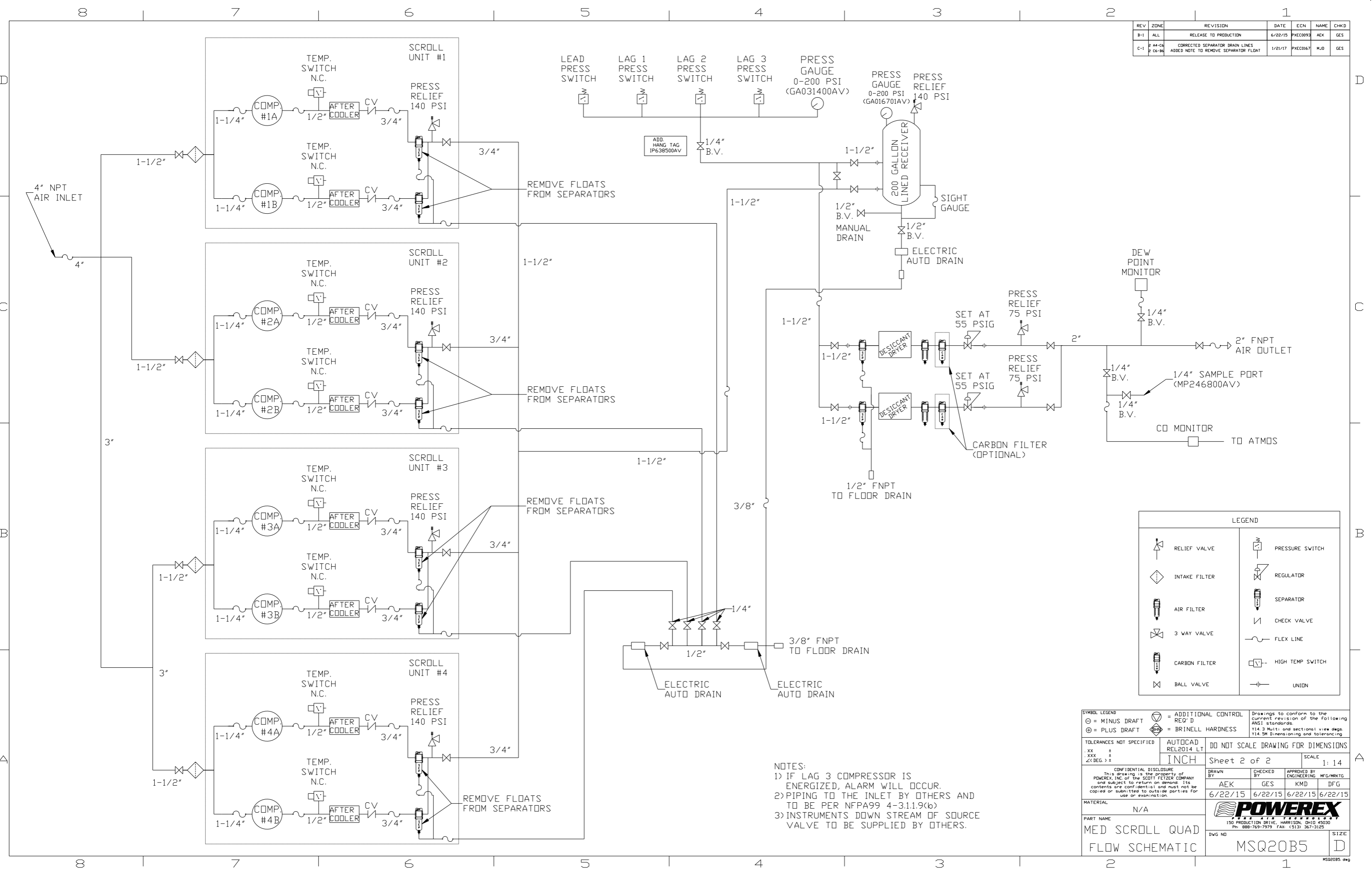
4X 20HP OILLESS SCROLL AIR END



NOTE: SYSTEM DESIGNED IN COMPLIANCE WITH US NFPA'99, LATEST EDITION.

SYMBOL LEGEND ⊖ = MINUS DRAFT ⊕ = PLUS DRAFT ⊕ = BRINELL HARDNESS		= ADDITIONAL CONTROL REQ'D = BRINELL HARDNESS		Drawings to conform to the current revision of the following ANSI standards: Y14.3 Multi and sectional view dgs. Y14.5M Dimensioning and tolerancing
TOLERANCES NOT SPECIFIED .XX ± .XXX ± <DEG> ±		AUTOCAD REL2014 LT INCH		DO NOT SCALE DRAWING FOR DIMENSIONS Sheet 1 of 2 SCALE 1:14
CONFIDENTIAL DISCLOSURE This drawing is the property of POWEREX, INC. of the SCOTT FEITZER COMPANY and subject to return on demand. Its contents are confidential and must not be copied or submitted to outside parties for use or examination.		DRAWN BY AEK	CHECKED BY GES	APPROVED BY KMD DFG
MATERIAL N/A		DATE 6/22/15	DATE 6/22/15	DATE 6/22/15
PART NAME 20HP QUADLEX SCROLL MED 200GAL		 150 PRODUCTION DRIVE, HARRISON, OHIO 45030 Ph 888-769-7979 FAX (513) 367-3125		DWG NO MSQ20B5 SIZE D

REV	ZONE	REVISION	DATE	ECN	NAME	CHKD
B-1	ALL	RELEASE TO PRODUCTION	6/22/15	PXEC0093	AEK	GES
C-1	A4-C4 C6-B6	CORRECTED SEPARATOR DRAIN LINES ADDED NOTE TO REMOVE SEPARATOR FLDAT	1/21/17	PXEC0167	MJD	GES



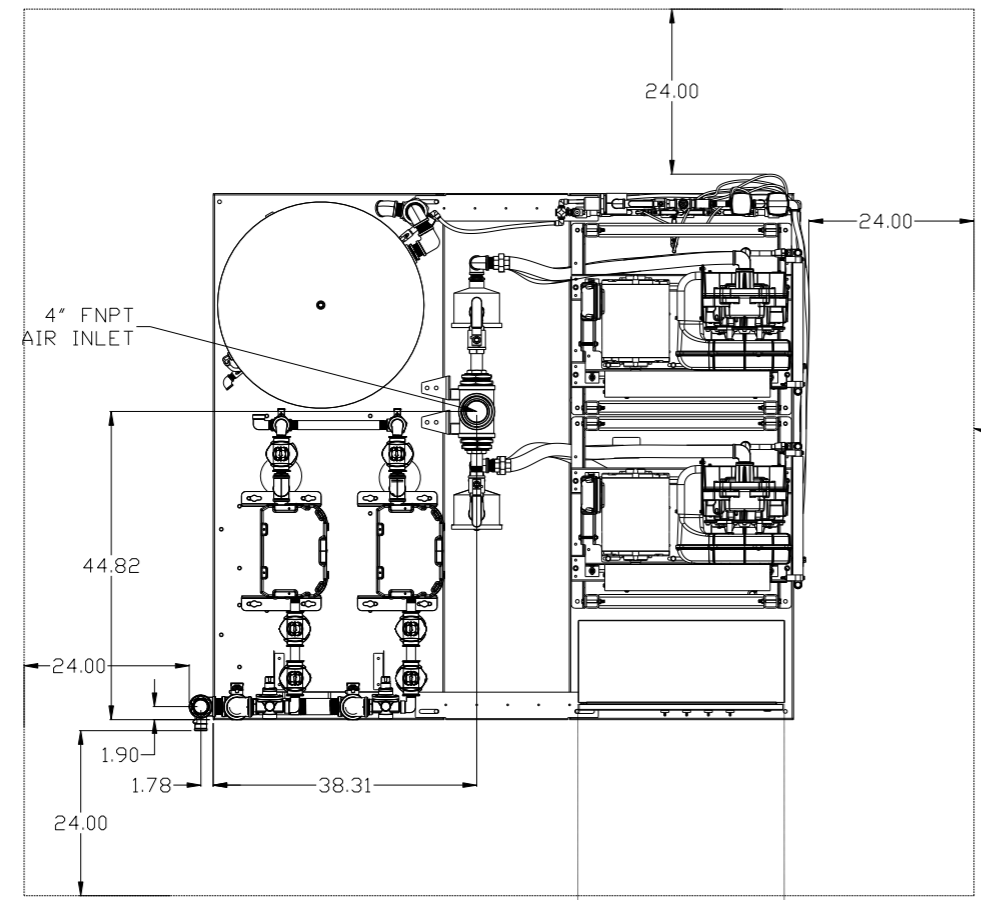
NOTES:
 1) IF LAG 3 COMPRESSOR IS ENERGIZED, ALARM WILL OCCUR.
 2) PIPING TO THE INLET BY OTHERS AND TO BE PER NFPA99 4-3.1.9(b)
 3) INSTRUMENTS DOWN STREAM OF SOURCE VALVE TO BE SUPPLIED BY OTHERS.

LEGEND	
	RELIEF VALVE
	INTAKE FILTER
	AIR FILTER
	3 WAY VALVE
	CARBON FILTER
	BALL VALVE
	PRESSURE SWITCH
	REGULATOR
	SEPARATOR
	CHECK VALVE
	FLEX LINE
	HIGH TEMP SWITCH
	UNION

SYMBOL LEGEND			ADDITIONAL CONTROL REQ'D	Drawings to conform to the current revision of the following ANSI standards: Y14.3 Multi and sectional view dgs. Y14.5M Dimensioning and tolerancing
	MINUS DRAFT		BRINELL HARDNESS	
TOLERANCES NOT SPECIFIED		AUTOCAD REL2014 LT	DO NOT SCALE DRAWING FOR DIMENSIONS	
.XX ±		INCH	Sheet 2 of 2	SCALE 1:14
.XXX ±				
<<DEG>> ±				
CONFIDENTIAL DISCLOSURE This drawing is the property of POWEREX, INC. or the SCOTT FETZER COMPANY and subject to return on demand. Its contents are confidential and must not be copied or submitted to outside parties for use or examination.		DRAWN BY AEK	CHECKED BY GES	APPROVED BY KMD DFG
MATERIAL N/A		6/22/15	6/22/15	6/22/15 6/22/15
PART NAME MED SCROLL QUAD FLOW SCHEMATIC				SIZE D
		DWG NO MSQ20B5		

8 7 6 5 4 3 2 1

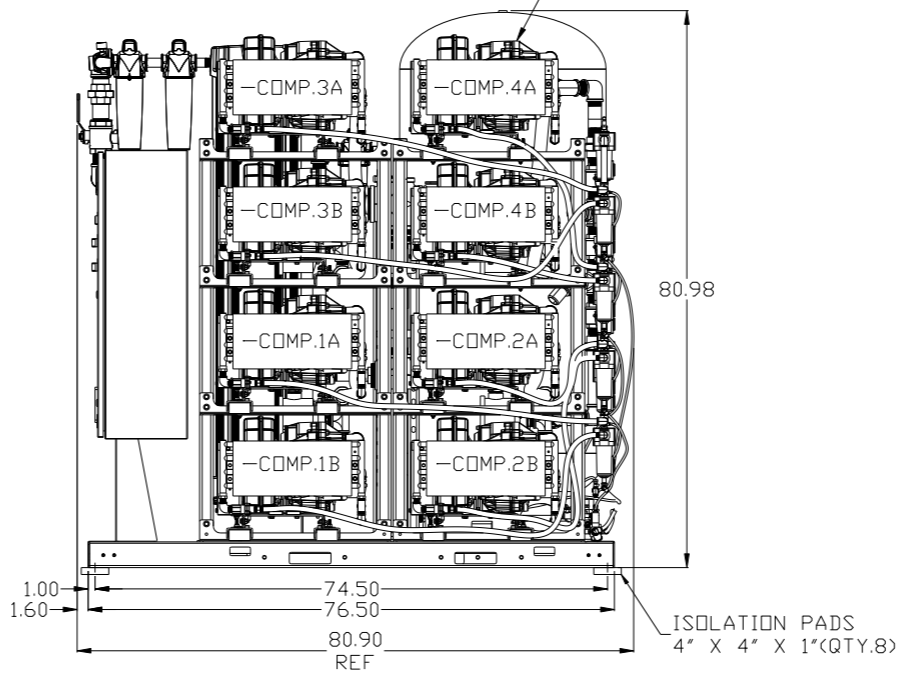
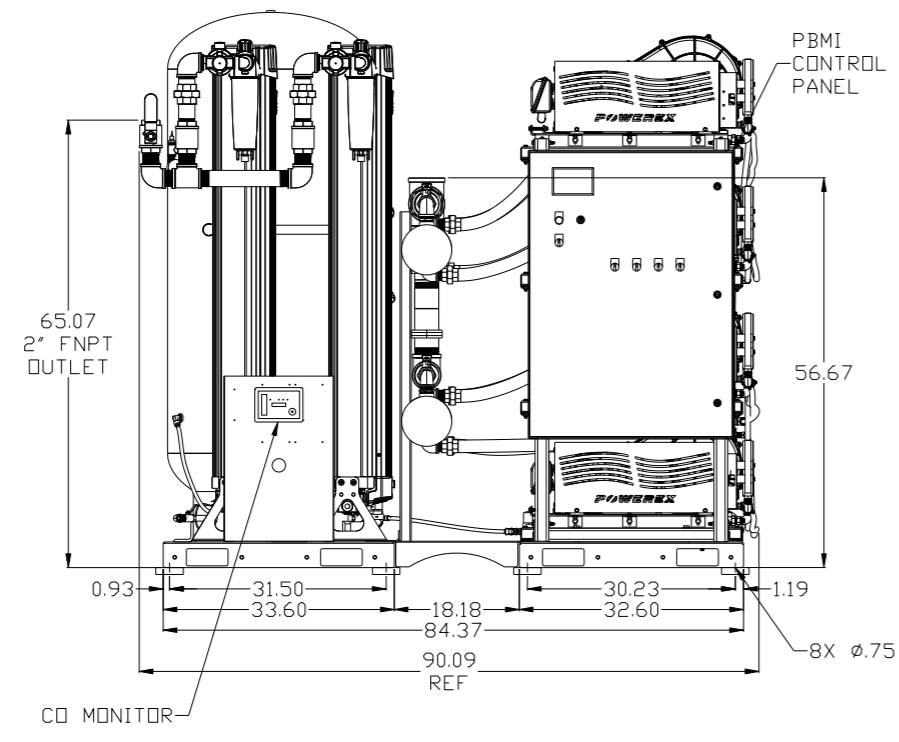
REV	ZONE	REVISION	DATE	ECN	NAME	CHKD
A-1	ALL	RELEASE FOR APPROVAL	4/28/15	PKEC0092	AEK	GES
B-1	ALL	RELEASE TO PRODUCTION	6/22/15	PKEC0093	AEK	GES
C-1	P 44-C6 P C6-96	CORRECTED SEPARATOR BRAIN LINES ADDED NOTE TO REMOVE SEPARATOR FLOAT	1/21/17	PKEC0167	MJD	GES



MINIMUM RECOMMENDED MAINTENANCE CLEARANCE

MINIMUM RECOMMENDED ELECTRICAL PANEL CLEARANCE PER OSHA/NEC REQUIREMENTS

4X 20HP OILLESS SCROLL AIR END

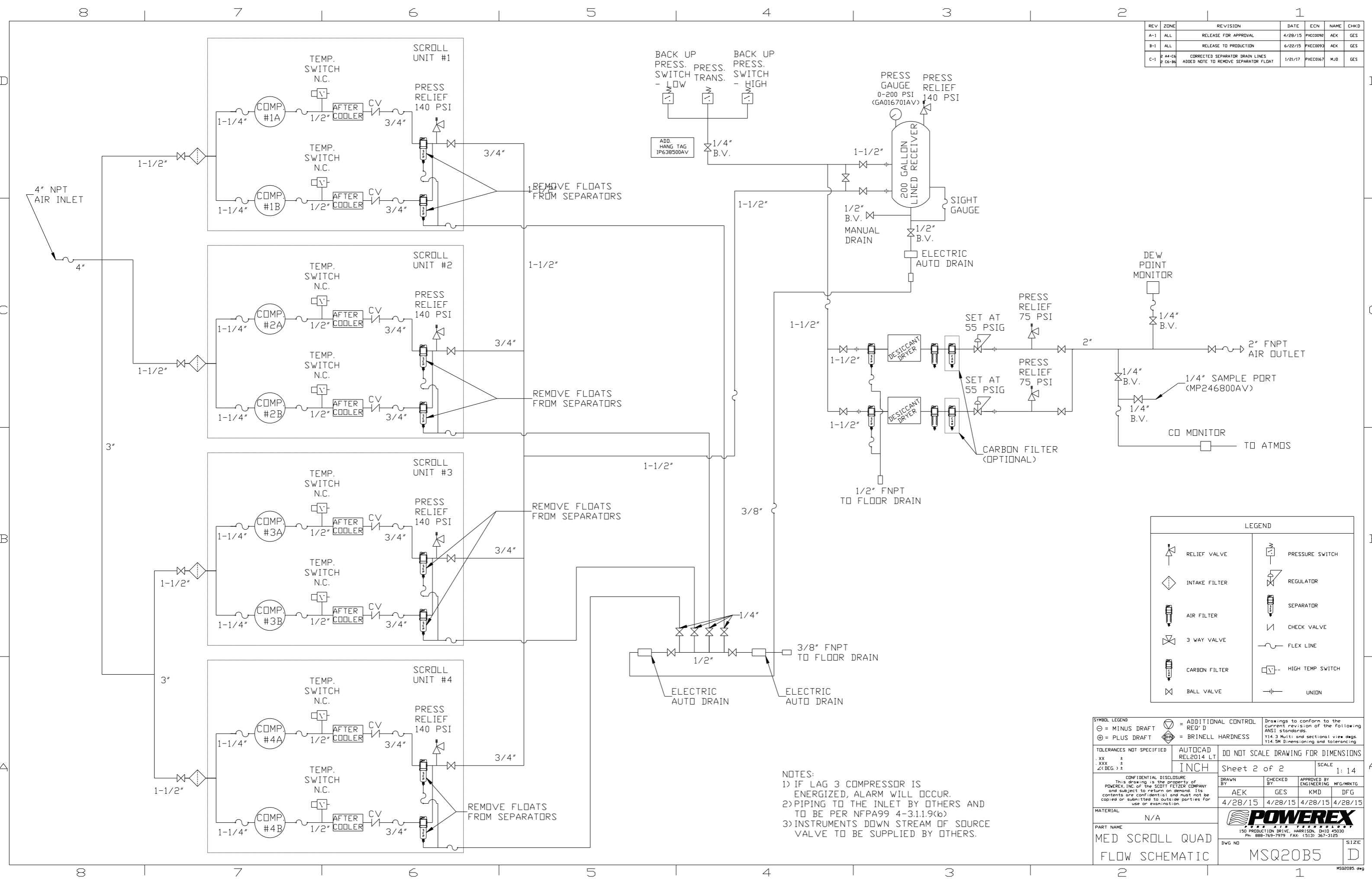


NOTE: SYSTEM DESIGNED IN COMPLIANCE WITH US NFPA'99, LATEST EDITION.

SYMBOL LEGEND		= ADDITIONAL CONTROL REQ'D		Drawings to conform to the current revision of the following ANSI standards:	
⊖ = MINUS DRAFT		= BRINELL HARDNESS		Y14.3 Multi and sectional view dsgs.	
⊕ = PLUS DRAFT				Y14.5M Dimensioning and tolerancing	
TOLERANCES NOT SPECIFIED		AUTOCAD REL2014 LT		DO NOT SCALE DRAWING FOR DIMENSIONS	
.XX ±		INCH		Sheet 1 of 2	
.XXX ±				SCALE 1:14	
∠(DEG) ±					
CONFIDENTIAL DISCLOSURE		DRAWN BY		APPROVED BY	
This drawing is the property of POWEREX, INC. of the SCOTT FEITZER COMPANY and subject to return on demand. Its contents are confidential and must not be copied or submitted to outside parties for use or examination.		AEK		KMD	
		CHECKED BY		ENGINEERING MFG/MKTG	
		GES		KMD DFG	
		4/28/15		4/28/15 4/28/15 4/28/15	
MATERIAL		N/A		POWEREX	
PART NAME		20HP QUADLEX SCROLL		150 PRODUCTION DRIVE, HARRISON, OHIO 45030 Ph: 888-769-7979 FAX: (513) 367-3125	
MED 200GAL		DWG NO		MSQ20B5	
		SIZE		D	

8 7 6 5 4 3 2 1

REV	ZONE	REVISION	DATE	ECN	NAME	CHKD
A-1	ALL	RELEASE FOR APPROVAL	4/28/15	PXEC0092	AEK	GES
B-1	ALL	RELEASE TO PRODUCTION	6/22/15	PXEC0093	AEK	GES
C-1	A4-C6 B-C6-B6	CORRECTED SEPARATOR BRAIN LINES ADDED NOTE TO REMOVE SEPARATOR FLOAT	1/21/17	PXEC0167	MJD	GES



	RELIEF VALVE		PRESSURE SWITCH
	INTAKE FILTER		REGULATOR
	AIR FILTER		SEPARATOR
	3 WAY VALVE		CHECK VALVE
	CARBON FILTER		FLEX LINE
	BALL VALVE		HIGH TEMP SWITCH
			UNION

SYMBOL LEGEND			ADDITIONAL CONTROL REQ'D	Drawings to conform to the current revision of the following ANSI standards			
	MINUS DRAFT		BRINELL HARDNESS	Y14.3 Multi and sectional view dsgs. Y14.5M Dimensioning and tolerancing			
TOLERANCES NOT SPECIFIED		AUTOCAD REL2014 LT	DO NOT SCALE DRAWING FOR DIMENSIONS				
.XX ±		INCH	Sheet 2 of 2	SCALE			1:14
.XXX ±			CONFIDENTIAL DISCLOSURE				
<<DEG>> ±			This drawing is the property of POWEREX, INC. of the SCOTT FETZER COMPANY and subject to return on demand. Its contents are confidential and must not be copied or submitted to outside parties for use or examination.				
MATERIAL		N/A	DRAWN BY: AEK				
PART NAME		MED SCROLL QUAD FLOW SCHEMATIC	CHECKED BY: GES				
DWG NO		MSQ20B5	APPROVED BY: KMD				
SIZE		D	DATE: 4/28/15				

NOTES:
 1) IF LAG 3 COMPRESSOR IS ENERGIZED, ALARM WILL OCCUR.
 2) PIPING TO THE INLET BY OTHERS AND TO BE PER NFPA99 4-3.1.9(b)
 3) INSTRUMENTS DOWN STREAM OF SOURCE VALVE TO BE SUPPLIED BY OTHERS.