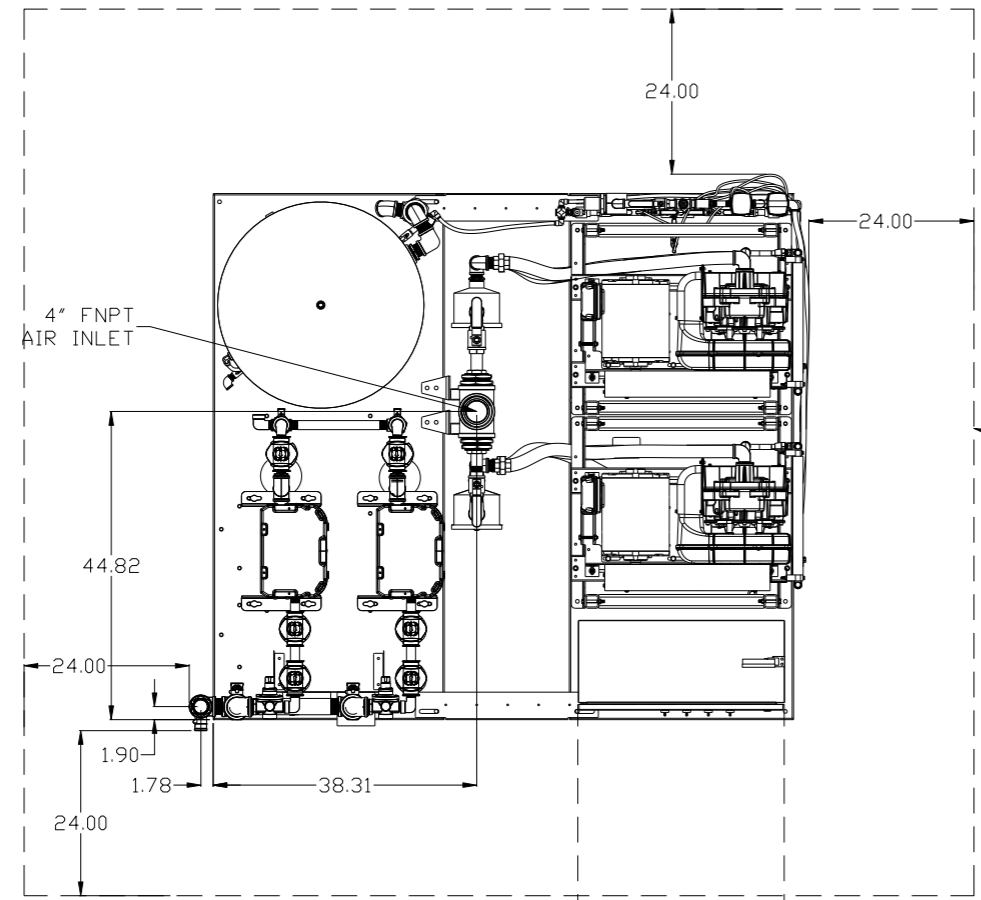
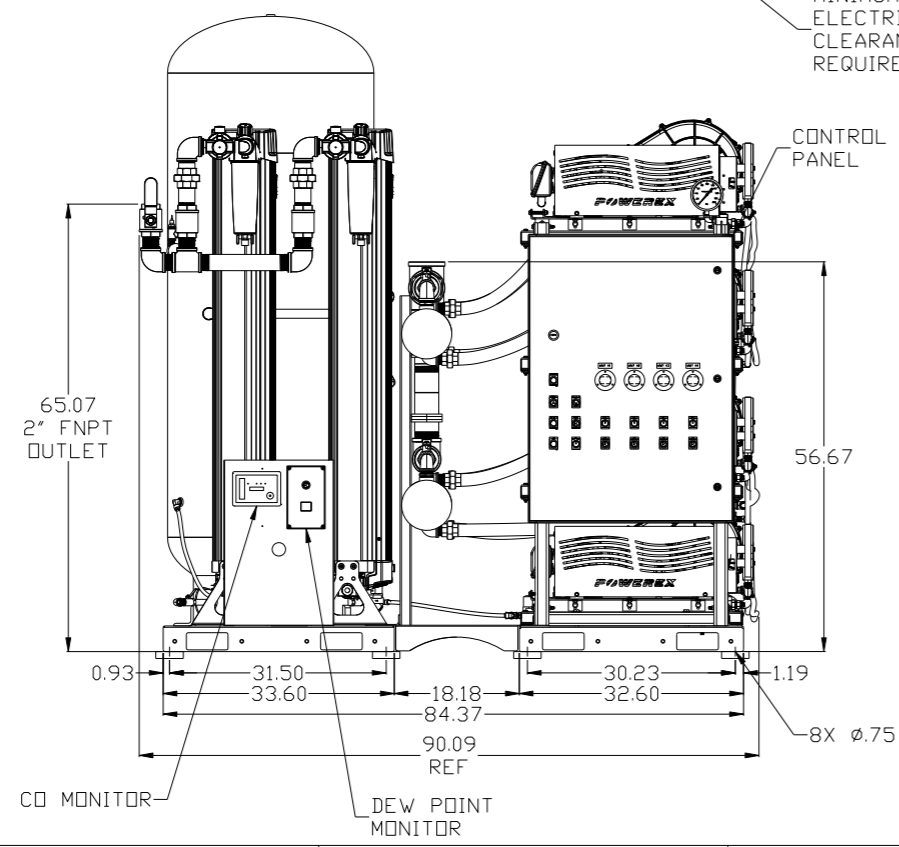


8 7 6 5 4 3 2 1

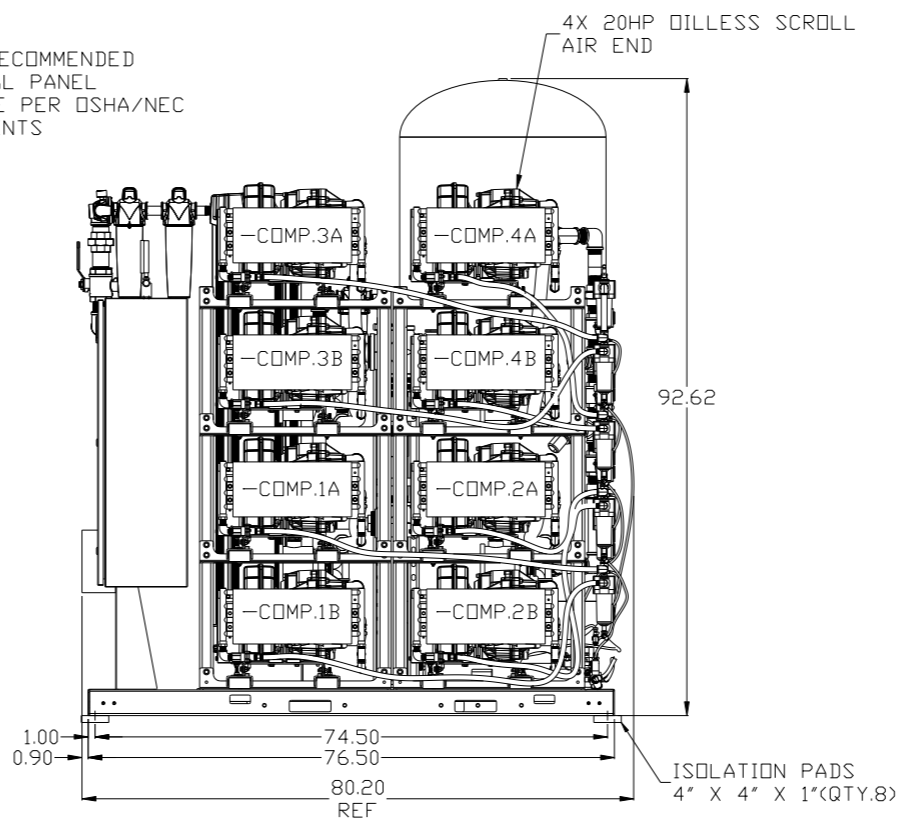
REV	ZONE	REVISION	DATE	ECN	NAME	CHKD
B-1	ALL	RELEASE TO PRODUCTION	2/2/15	PKEC0057	JBE	AEK
C-1	ALL	UPDATED TO CURRENT PRODUCTION STANDARDS	6/17/16	PKEC0139	AEK	GES
D-1	P 44-C6 P C6-96	CORRECTED SEPARATOR BRAIN LINES ADDED NOTE TO REMOVE SEPARATOR FLOAT	1/21/17	PKEC0167	MJD	GES



MINIMUM RECOMMENDED MAINTENANCE CLEARANCE



MINIMUM RECOMMENDED ELECTRICAL PANEL CLEARANCE PER OSHA/NEC REQUIREMENTS

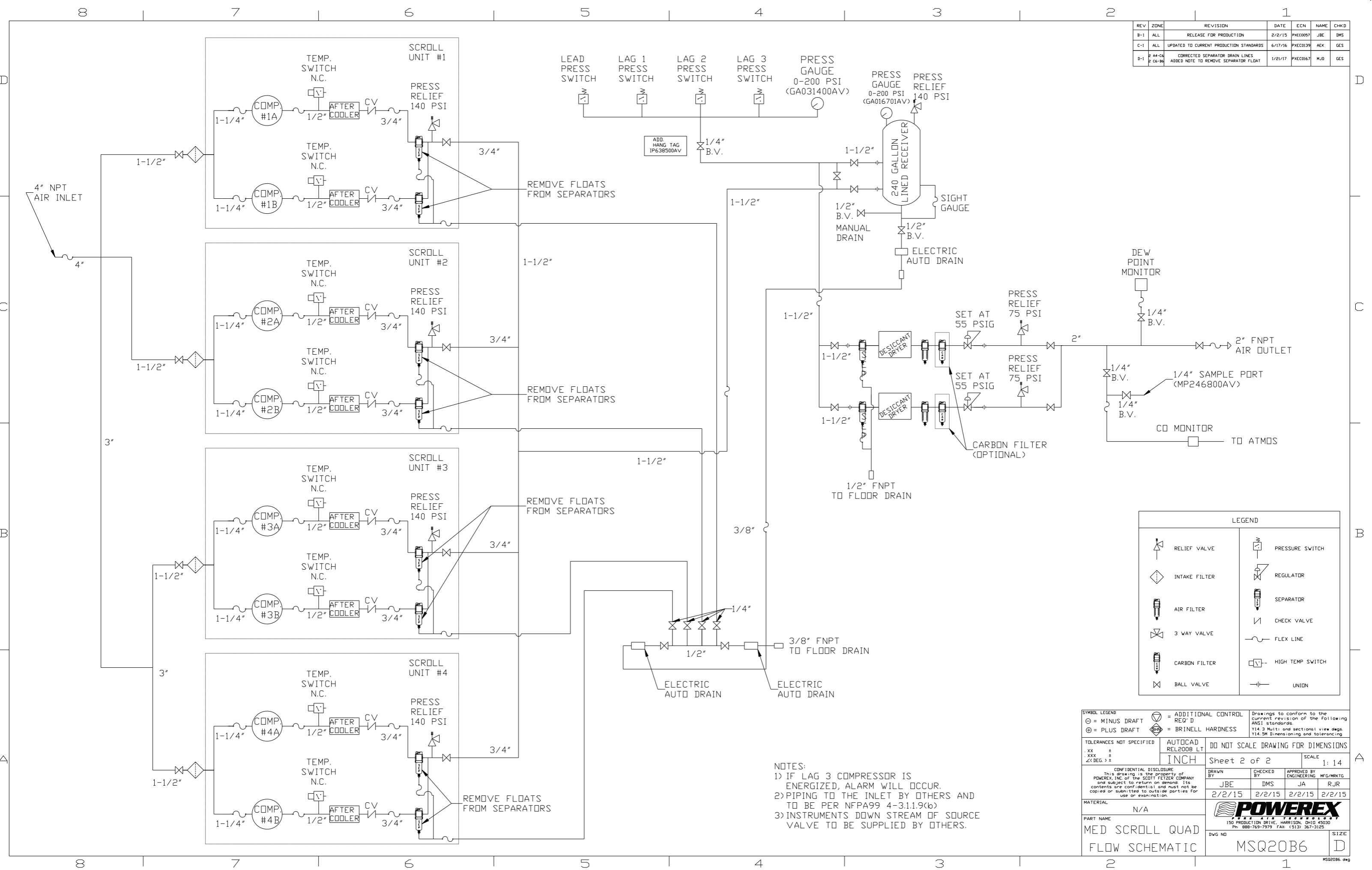


NOTE: SYSTEM DESIGNED IN COMPLIANCE WITH US NFPA'99, LATEST EDITION.

SYMBOL LEGEND		AUTOCAD REL2008 LT		DO NOT SCALE DRAWING FOR DIMENSIONS	
⊖	MINUS DRAFT	□	ADDITIONAL CONTROL REQ'D	Drawings to conform to the current revision of the following ANSI standards: Y14.3 Multi and sectional view dsgs. Y14.5M Dimensioning and tolerancing	
⊕	PLUS DRAFT	⊖	BRINELL HARDNESS	SCALE 1:14	
TOLERANCES NOT SPECIFIED		INCH		Sheet 1 of 2	
.XX ±				DRAWN BY JBE	
.XXX ±				CHECKED BY DMS	
<< DEG >> ±				APPROVED BY ENGINEERING MFG/MKTG JA	
CONFIDENTIAL DISCLOSURE				DATE 2/2/15	
This drawing is the property of POWEREX, INC. of the SCOTT FEITZER COMPANY and subject to return on demand. Its contents are confidential and must not be copied or submitted to outside parties for use or examination.				DATE 2/2/15	
MATERIAL N/A				DATE 2/2/15	
PART NAME 20HP MED SCROLL QUAD				DATE 2/2/15	
240GAL DUPLEX DESICCANT				DATE 2/2/15	
DWG NO MSQ20B6				SIZE D	

8 7 6 5 4 3 2 1

REV	ZONE	REVISION	DATE	ECN	NAME	CHKD
B-1	ALL	RELEASE FOR PRODUCTION	2/2/15	PXEC0057	JBE	DMS
C-1	ALL	UPDATED TO CURRENT PRODUCTION STANDARDS	6/17/16	PXEC0139	AEK	GES
D-1	A4-C6 B-C6-B6	CORRECTED SEPARATOR BRAIN LINES ADDED NOTE TO REMOVE SEPARATOR FLOAT	1/21/17	PXEC0167	MJD	GES



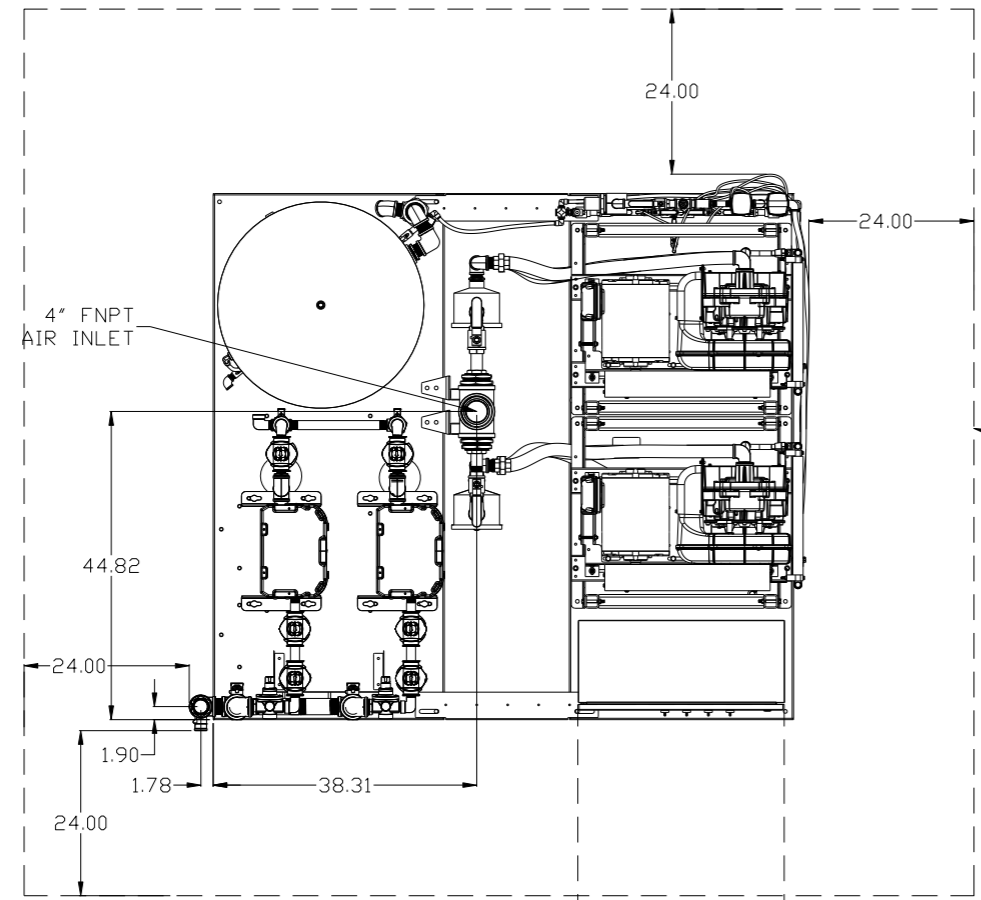
LEGEND	
	RELIEF VALVE
	INTAKE FILTER
	AIR FILTER
	3 WAY VALVE
	CARBON FILTER
	BALL VALVE
	PRESSURE SWITCH
	REGULATOR
	SEPARATOR
	CHECK VALVE
	FLEX LINE
	HIGH TEMP SWITCH
	UNION

NOTES:
 1) IF LAG 3 COMPRESSOR IS ENERGIZED, ALARM WILL OCCUR.
 2) PIPING TO THE INLET BY OTHERS AND TO BE PER NFPA99 4-3.1.9(b)
 3) INSTRUMENTS DOWN STREAM OF SOURCE VALVE TO BE SUPPLIED BY OTHERS.

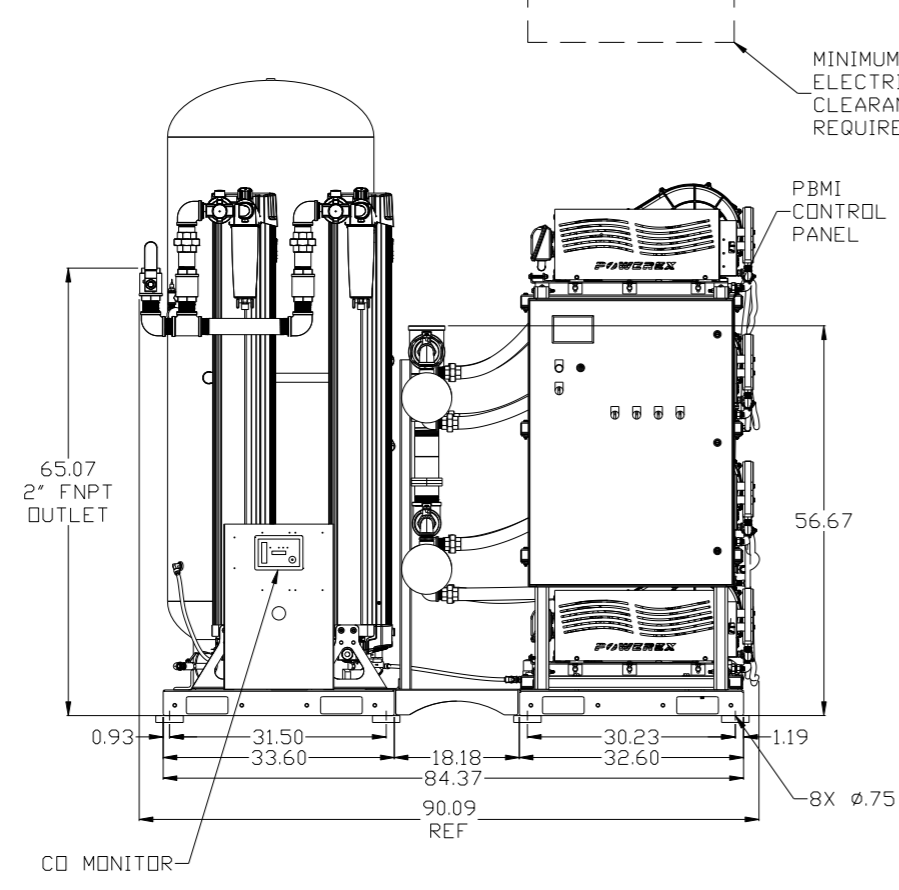
SYMBOL LEGEND		= ADDITIONAL CONTROL REQ'D		Drawings to conform to the current revision of the following ANSI standards	
= MINUS DRAFT		= BRINELL HARDNESS		Y14.3 Multi and sectional view dsgs. Y14.5M Dimensioning and tolerancing	
TOLERANCES NOT SPECIFIED		AUTOCAD REL2008 LT		DO NOT SCALE DRAWING FOR DIMENSIONS	
.XX ±		INCH		Sheet 2 of 2	
.XXX ±				SCALE 1:14	
<<DEG>> ±					
CONFIDENTIAL DISCLOSURE This drawing is the property of POWEREX, INC. of the SCOTT FETZER COMPANY and subject to return on demand. Its contents are confidential and must not be copied or submitted to outside parties for use or examination.					
DRAWN BY		CHECKED BY		APPROVED BY	
JBE		DMS		JA RJR	
2/2/15		2/2/15		2/2/15 2/2/15	
MATERIAL N/A					
PART NAME MED SCROLL QUAD FLOW SCHEMATIC				 150 PRODUCTION DRIVE, HARRISON, OHIO 45030 Ph 888-769-7979 FAX (513) 367-3125	
DWG NO MSQ20B6				SIZE D	

8 7 6 5 4 3 2 1

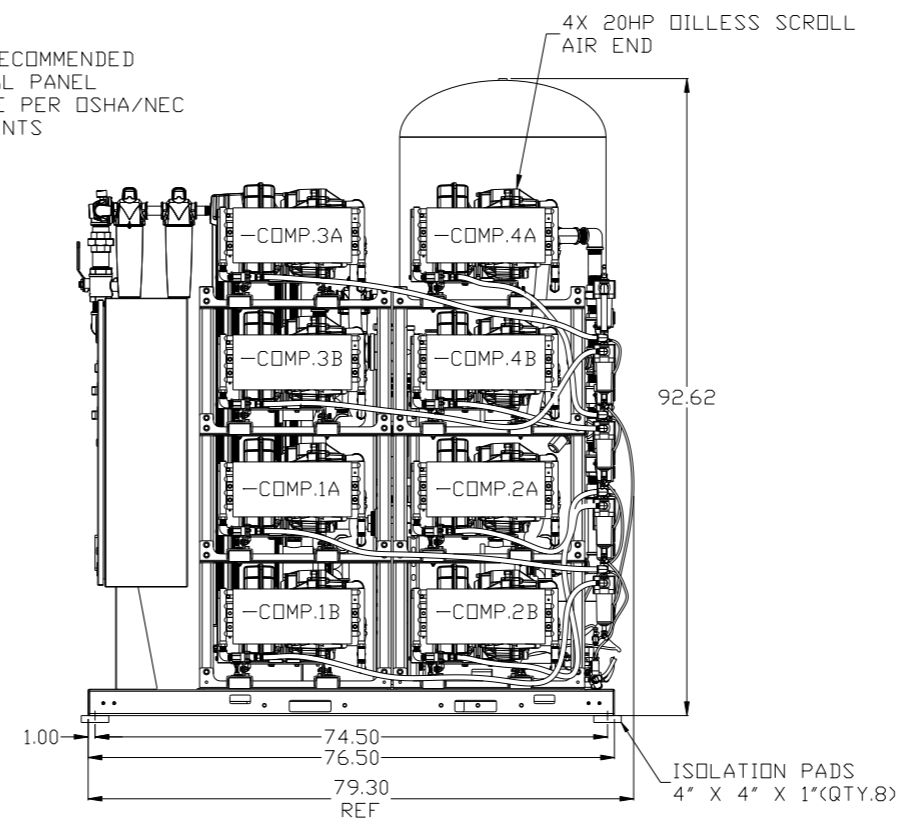
REV	ZONE	REVISION	DATE	ECN	NAME	CHKD
B-1	ALL	RELEASE TO PRODUCTION	2/2/15	PKEC0057	JBE	AEK
C-1	ALL	UPDATED TO CURRENT PRODUCTION STANDARDS	6/17/16	PKEC0139	AEK	GES
D-1	P 44-C6 P C6-96	CORRECTED SEPARATOR BRAIN LINES ADDED NOTE TO REMOVE SEPARATOR FLOAT	1/21/17	PKEC0167	MJD	GES



MINIMUM RECOMMENDED MAINTENANCE CLEARANCE



MINIMUM RECOMMENDED ELECTRICAL PANEL CLEARANCE PER OSHA/NEC REQUIREMENTS

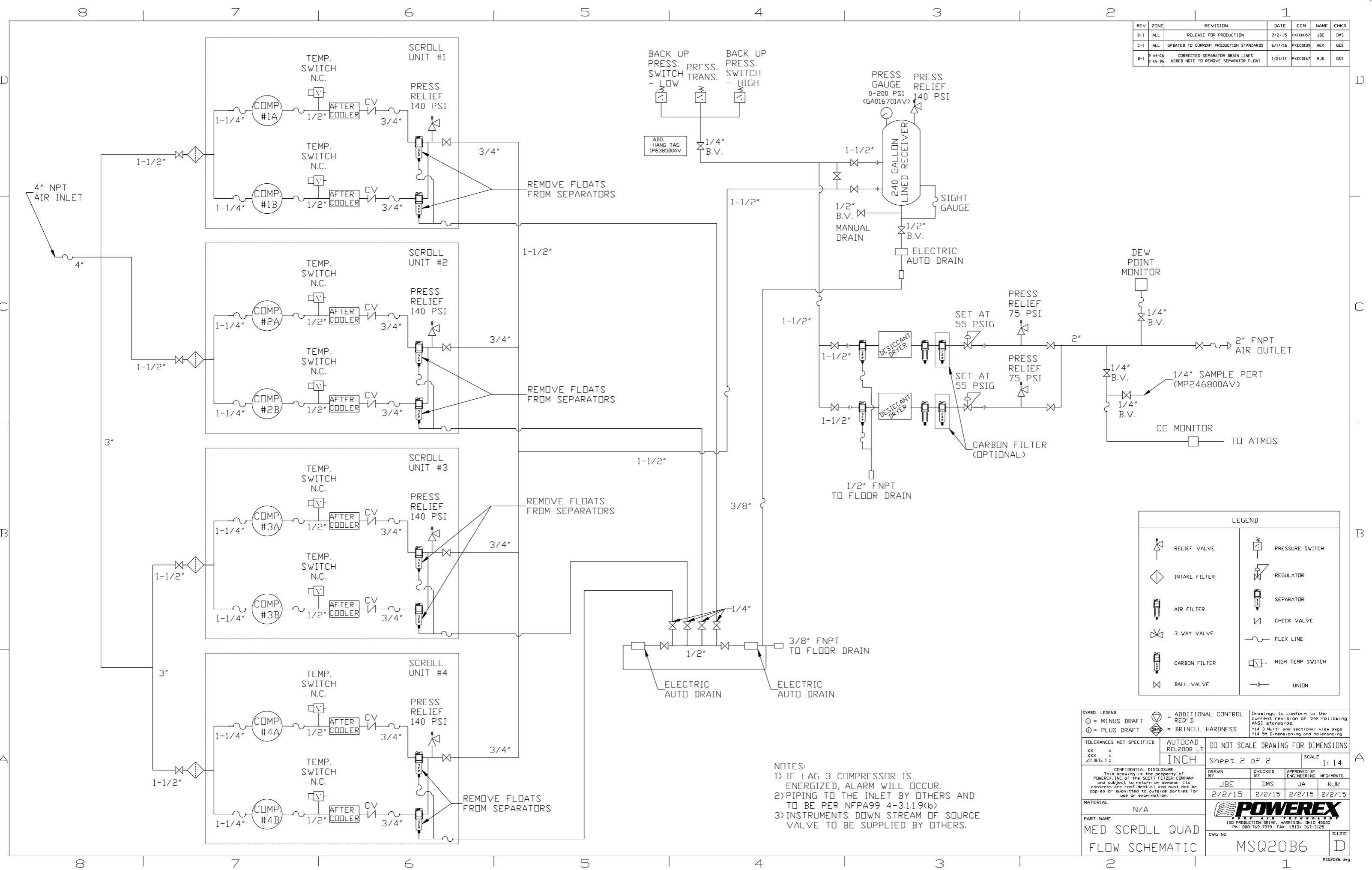


NOTE: SYSTEM DESIGNED IN COMPLIANCE WITH US NFPA'99, LATEST EDITION.

SYMBOL LEGEND ⊖ = MINUS DRAFT ⊕ = PLUS DRAFT ∅ = ADDITIONAL CONTROL REQ'D Ⓢ = BRINELL HARDNESS		Drawings to conform to the current revision of the following ANSI standards: Y14.3 Multi and sectional view dgs. Y14.5M Dimensioning and tolerancing	
TOLERANCES NOT SPECIFIED .XX ± .XXX ± <<DEG> ±		DO NOT SCALE DRAWING FOR DIMENSIONS AUTOCAD REL2008 LT INCH Sheet 1 of 2 SCALE 1:14	
CONFIDENTIAL DISCLOSURE This drawing is the property of POWEREX, INC. of the SCOTT FEITZER COMPANY and subject to return on demand. Its contents are confidential and must not be copied or submitted to outside parties for use or examination.		DRAWN BY JBE CHECKED BY DMS APPROVED BY ENGINEERING MFG/MKTG JA RJR 2/2/15 2/2/15 2/2/15 2/2/15	
MATERIAL N/A		 150 PRODUCTION DRIVE, HARRISON, OHIO 45030 Ph 888-769-7979 FAX (513) 367-3125	
PART NAME 20HP MED SCROLL QUAD 240GAL DUPLEX DESICCANT		DWG NO MSQ20B6 SIZE D	

8 7 6 5 4 3 2 1

REV	ZONE	REVISION	DATE	ECN	NAME	CHKD
B-1	ALL	RELEASE FOR PRODUCTION	2/2/15	PXEC0057	JBE	DMS
C-1	ALL	UPDATED TO CURRENT PRODUCTION STANDARDS	6/17/16	PXEC0139	AEK	GES
D-1	A4-C6 C6-B6	CORRECTED SEPARATOR BRAIN LINES ADDED NOTE TO REMOVE SEPARATOR FLOAT	1/21/17	PXEC0167	MJD	GES



LEGEND	
	RELIEF VALVE
	INTAKE FILTER
	AIR FILTER
	3 WAY VALVE
	CARBON FILTER
	BALL VALVE
	PRESSURE SWITCH
	REGULATOR
	SEPARATOR
	CHECK VALVE
	FLEX LINE
	HIGH TEMP SWITCH
	UNION

SYMBOL LEGEND			ADDITIONAL CONTROL REQ'D	Drawings to conform to the current revision of the following ANSI standards: Y14.3 Multi and sectional view dgs. Y14.5M Dimensioning and tolerancing	
	MINUS DRAFT		BRINELL HARDNESS		
TOLERANCES NOT SPECIFIED		AUTOCAD REL2008 LT	DO NOT SCALE DRAWING FOR DIMENSIONS		
.XX ±	.XXX ±	INCH	Sheet 2 of 2	SCALE 1:14	
CONFIDENTIAL DISCLOSURE This drawing is the property of POWEREX, INC. of the SCOTT FETZER COMPANY and subject to return on demand. Its contents are confidential and must not be copied or submitted to outside parties for use or examination.		DRAWN BY JBE	CHECKED BY DMS	APPROVED BY ENGINEERING JA	MFG/MKTG RJR
MATERIAL N/A		DATE 2/2/15		DATE 2/2/15	
PART NAME MED SCROLL QUAD FLOW SCHEMATIC		DATE 2/2/15		DATE 2/2/15	
DWG NO MSQ20B6		SIZE D			

NOTES:
 1) IF LAG 3 COMPRESSOR IS ENERGIZED, ALARM WILL OCCUR.
 2) PIPING TO THE INLET BY OTHERS AND TO BE PER NFPA99 4-3.1.9(b)
 3) INSTRUMENTS DOWN STREAM OF SOURCE VALVE TO BE SUPPLIED BY OTHERS.