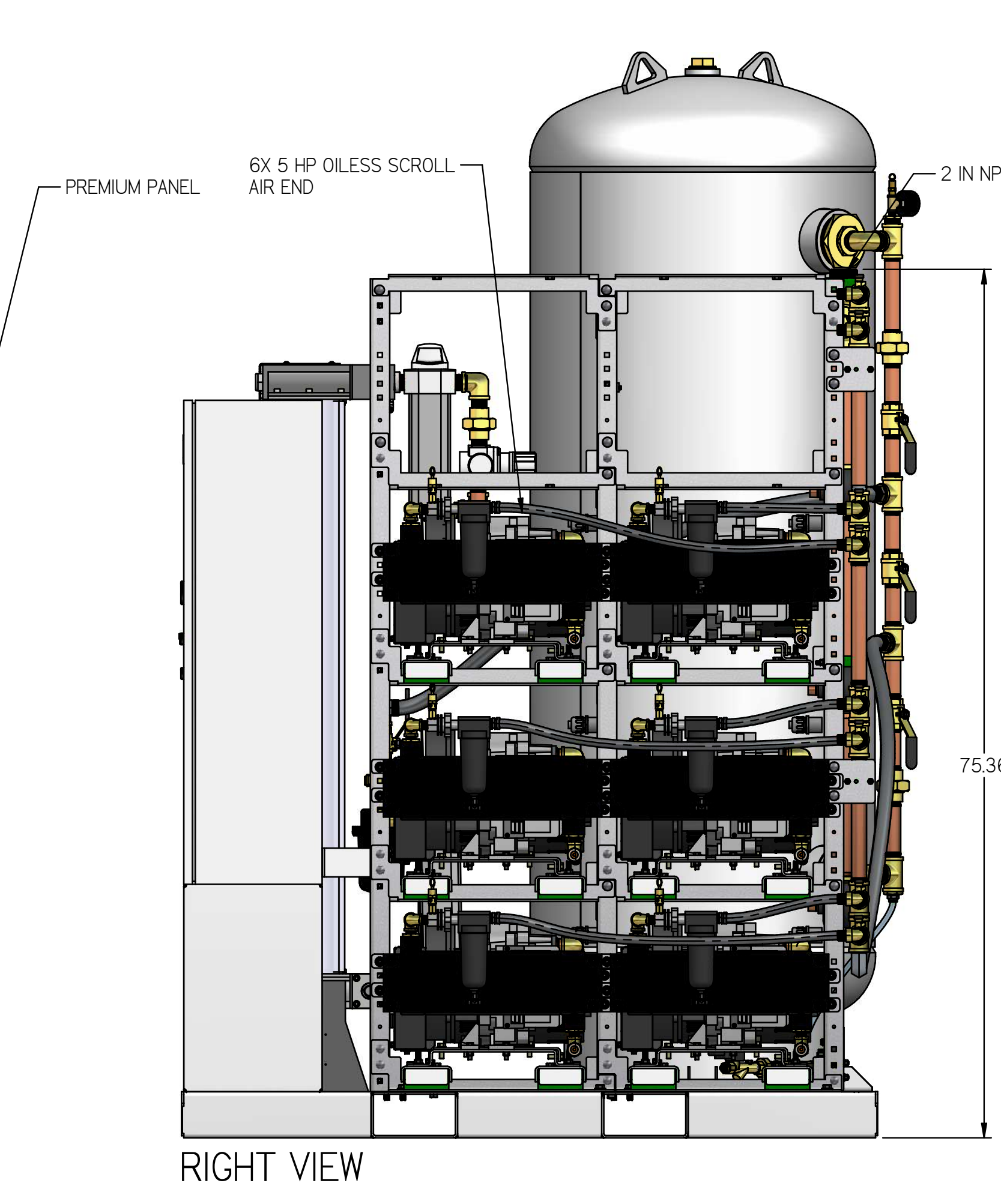
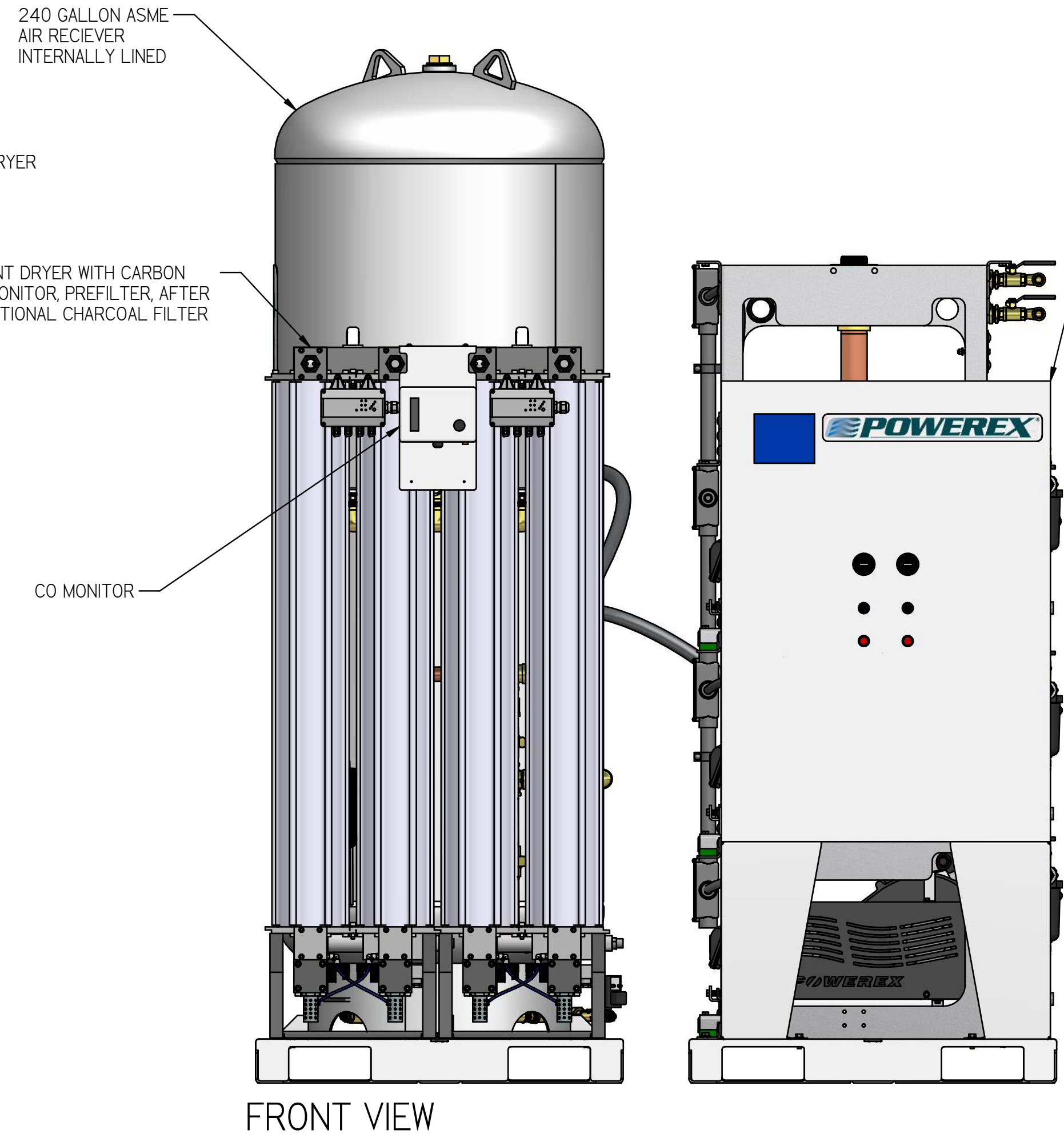
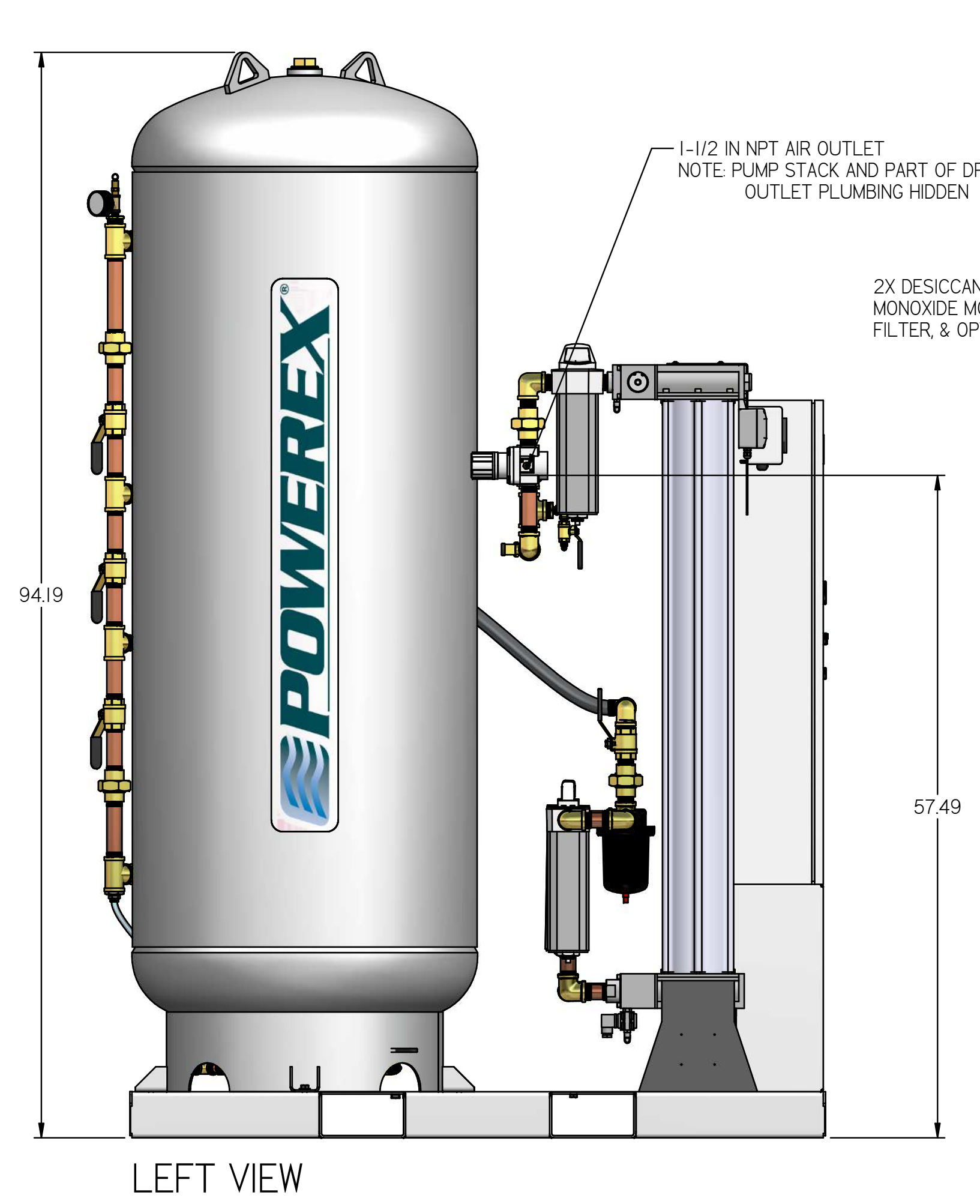
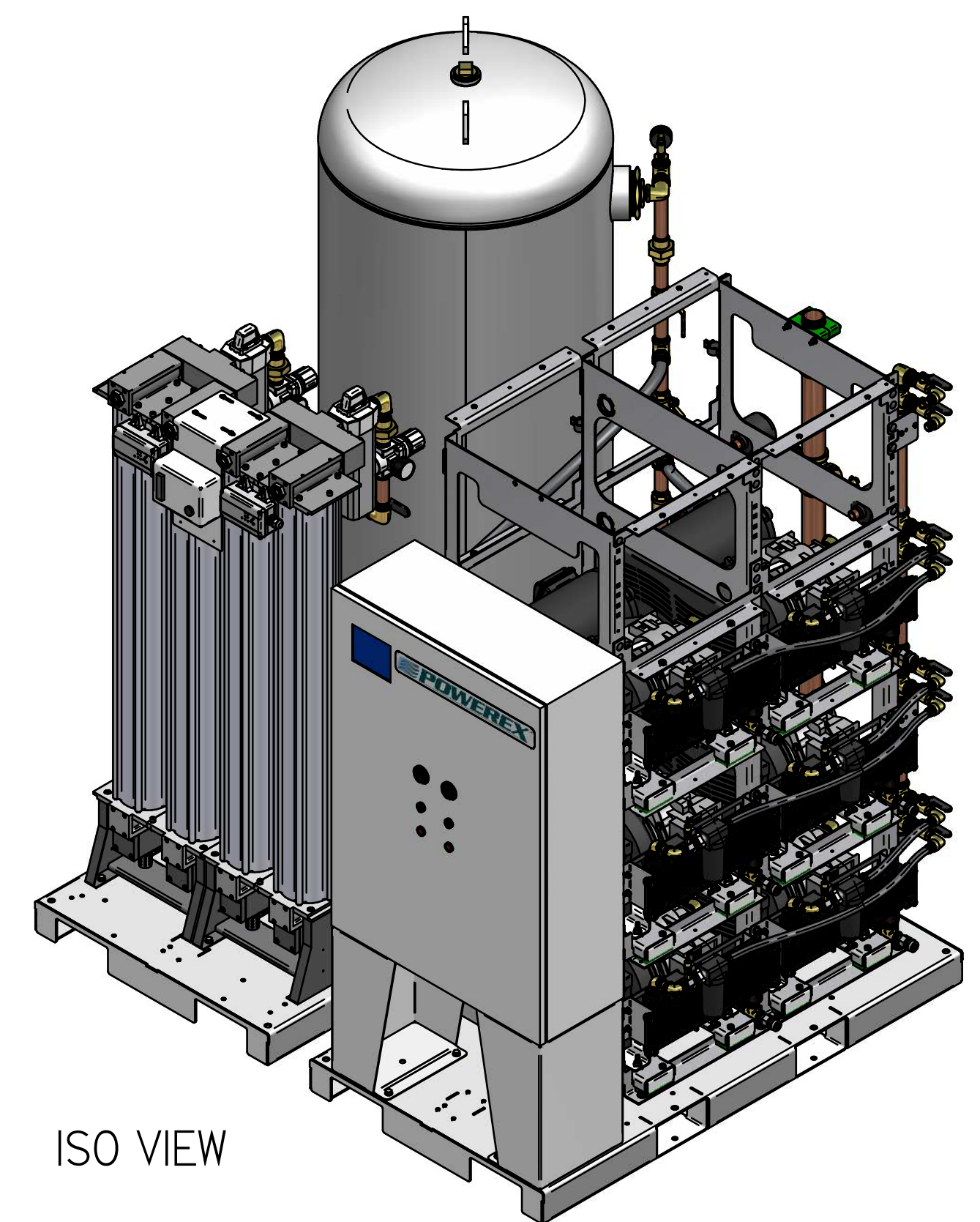
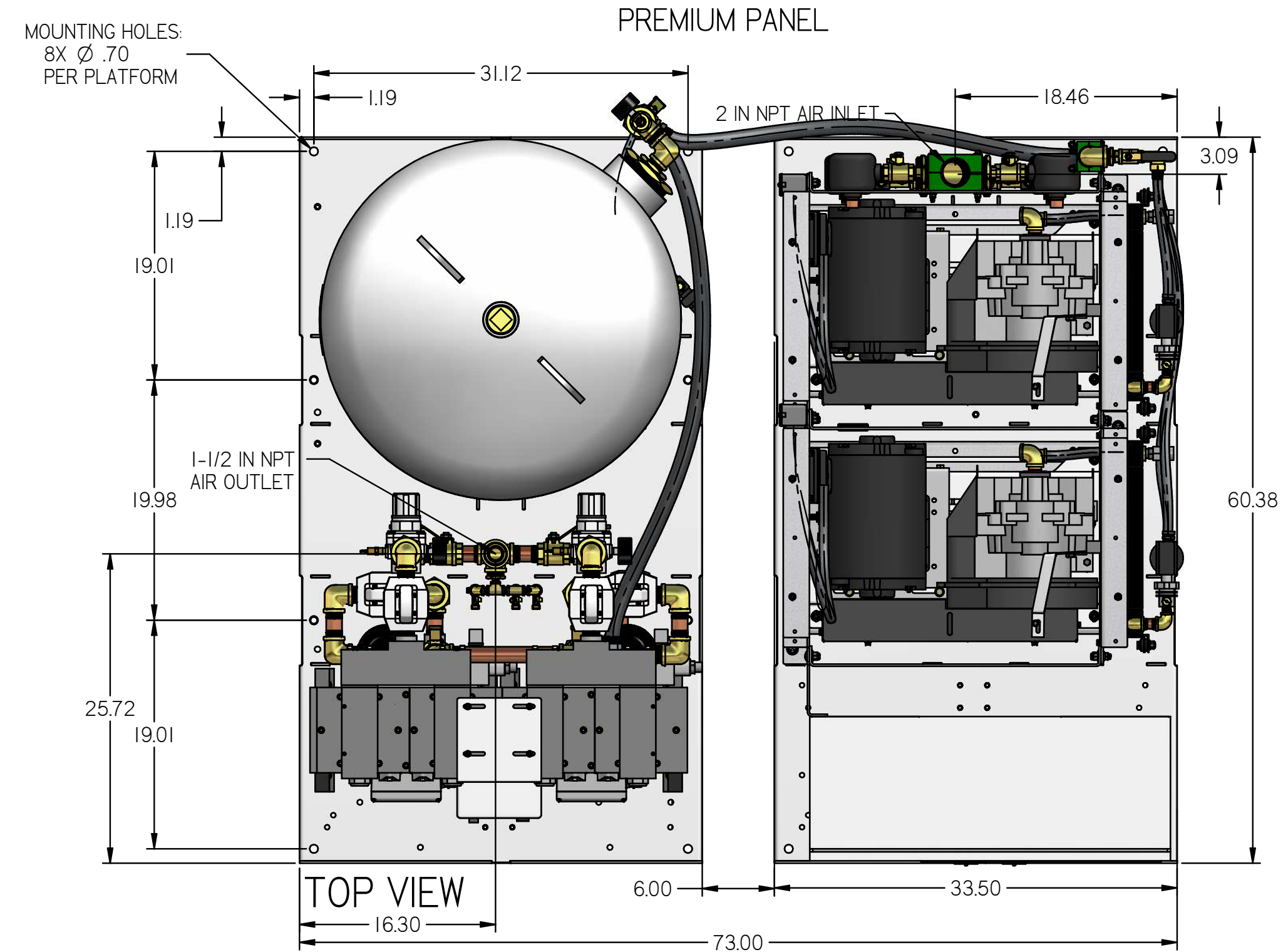


# MST10A6-EX4

MEDICAL OPEN SCROLL 10HP  
TRIPLEX EXPANDABLE TO  
QUAD 240 GALLON TANK

REVISION NOTES		
DESCRIPTION	ECN	PR/NOR
PRODUCTION RELEASE	PXEC0169	N/A



- NOTES:
- APPROX SYSTEM WEIGHT: 3349 LB
  - 24" MINIMUM MAINTENANCE CLEARANCE RECOMMENDED ALL SIDES. CLEARANCE FOR CONTROL PANEL SHALL BE IN ACCORDANCE WITH OSHA/NEC REQUIREMENTS

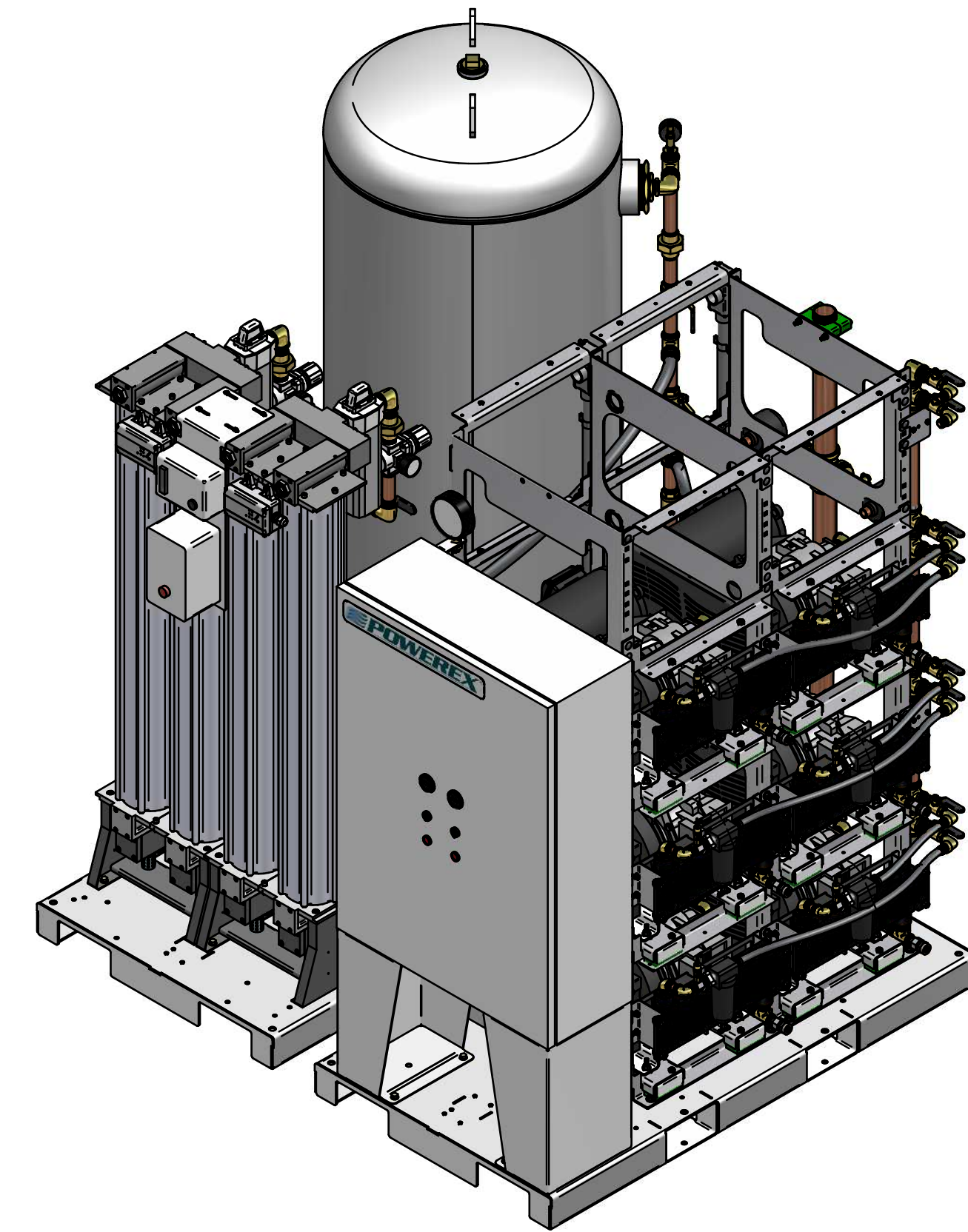
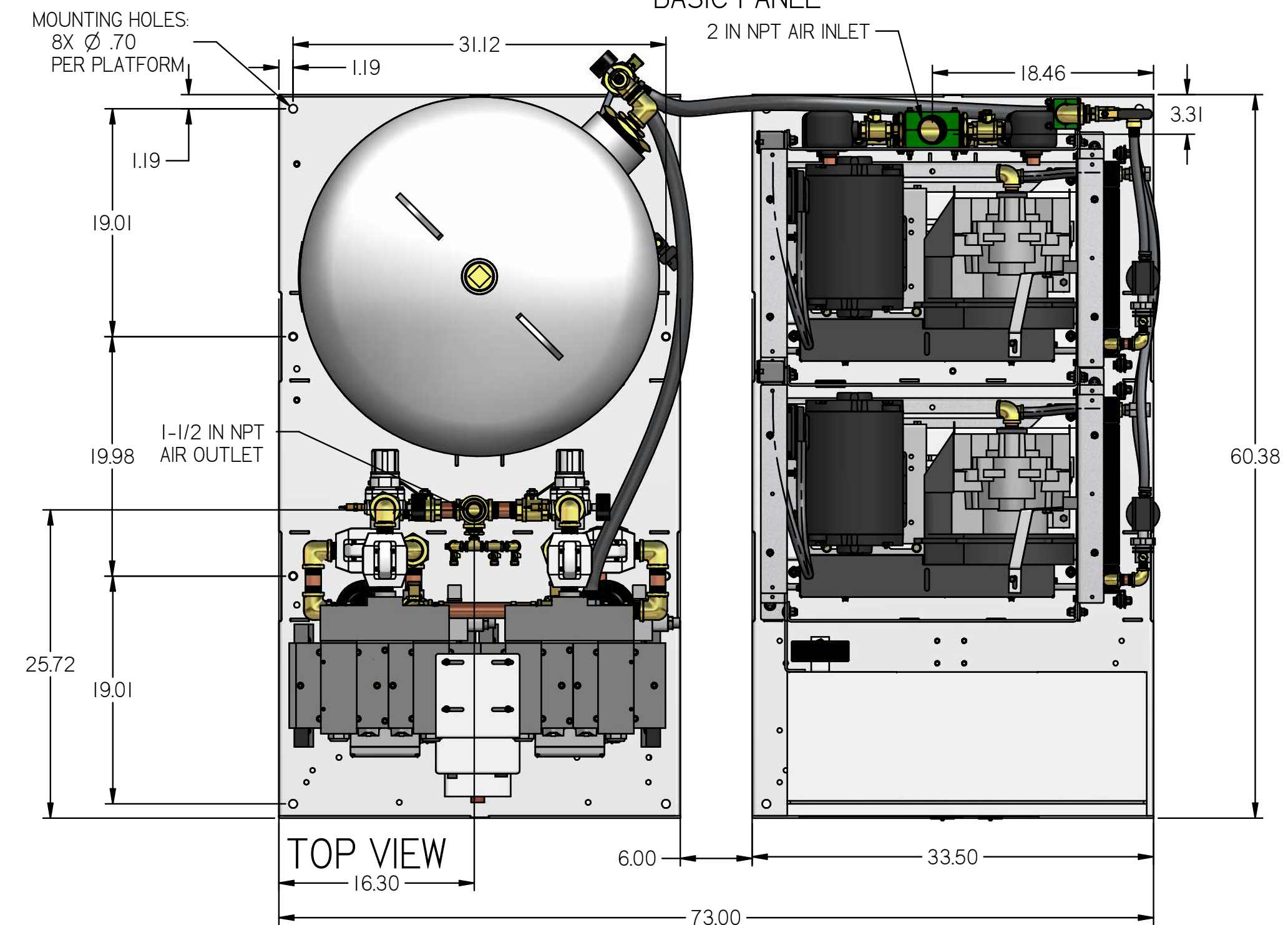
SYMBOL LEGEND		DRAWINGS TO CONFORM TO CURRENT REVISION OF THE FOLLOWING ANSI STANDARDS:	
TOLERANCES NOT SPECIFIED	SOLID EDGE DRAWING	1:4:3 MULTI AND SECTIONAL VIEW DIMS	1:4:3 DIMENSIONING AND TOLERANCING
0.XXX ± .01	DO NOT SCALE DRAWING FOR DIMENSIONS	SHEET 1 OF 5	SCALE 1:10
0.XXX ± .005			
± .5	INCH	APPROVALS ON FILE IN PLM	
<small>CONFIDENTIAL DISCLOSURE</small> This drawing is the property of POWEREX of the SCOTT FETTER COMPANY and is subject to return on demand. Its contents are confidential and must not be copied or submitted to outside parties for use or examination.		AUTHOR	ORIGINATION DATE
TITLE: 716129 MATERIAL: SEE PART DRAWINGS		ASoulek	10/29/2016
DESCRIPTION: MEDICAL OPEN SCROLL 10HP TRIPLEX EXPANDABLE TO QUAD 240 GALLON TANK		DRAWING NUMBER: MST10A6-EX4	REVISION: C
			D



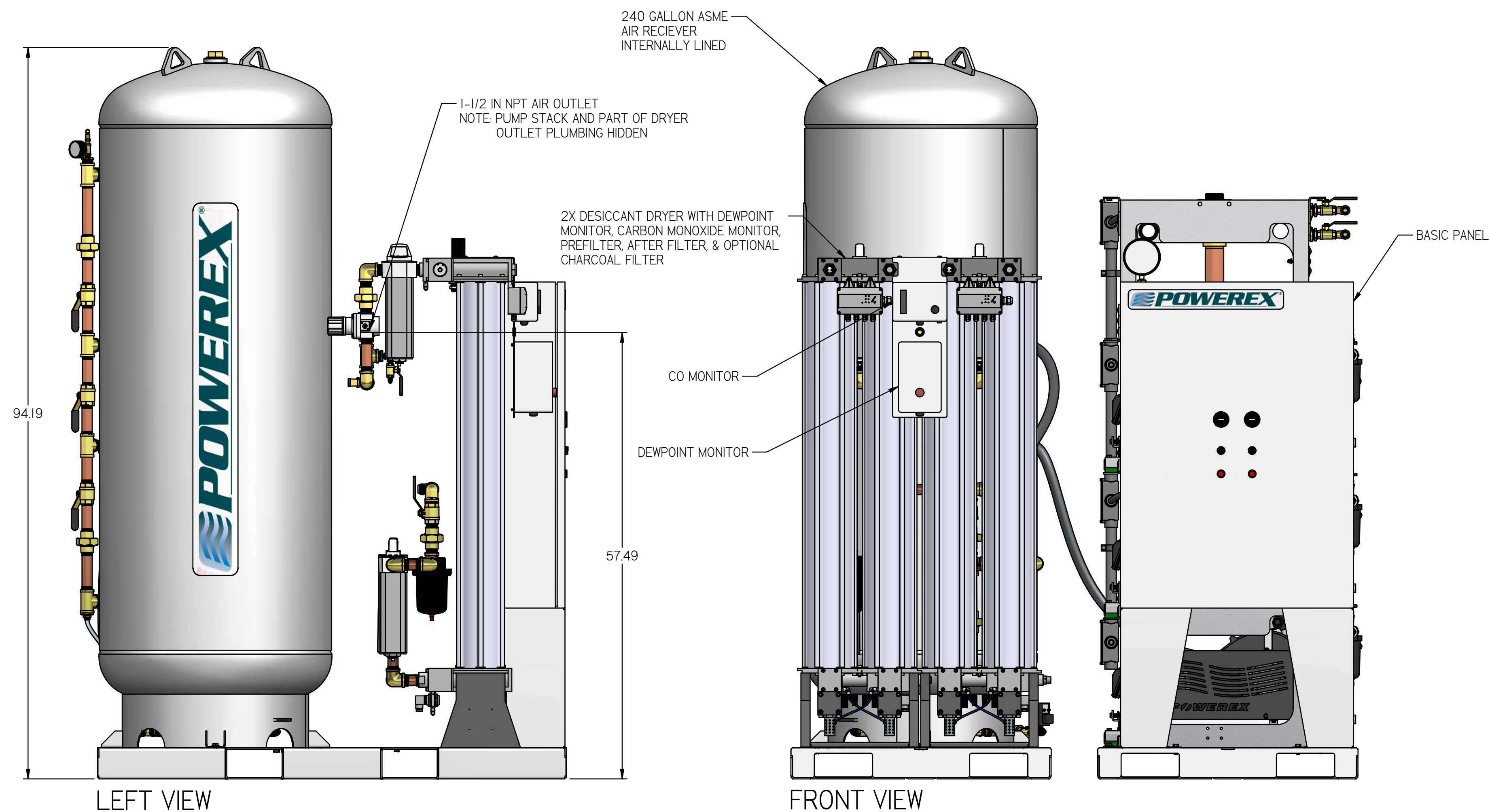
REVISION NOTES		
DESCRIPTION	ECN	PR/NOR
PRODUCTION RELEASE	PXECO169	N/A

# MST10A6-EX4

MEDICAL OPEN SCROLL 10HP  
TRIPLEX EXPANDABLE TO  
QUAD 240 GALLON TANK  
BASIC PANEL



ISO VIEW



LEFT VIEW

FRONT VIEW

RIGHT VIEW

- NOTES:  
1. APPROX SYSTEM WEIGHT: 3349 LB  
2. 24" MINIMUM MAINTENANCE CLEARANCE RECOMMENDED ALL SIDES. CLEARANCE FOR CONTROL PANEL SHALL BE IN ACCORDANCE WITH OSHA/NEC REQUIREMENTS

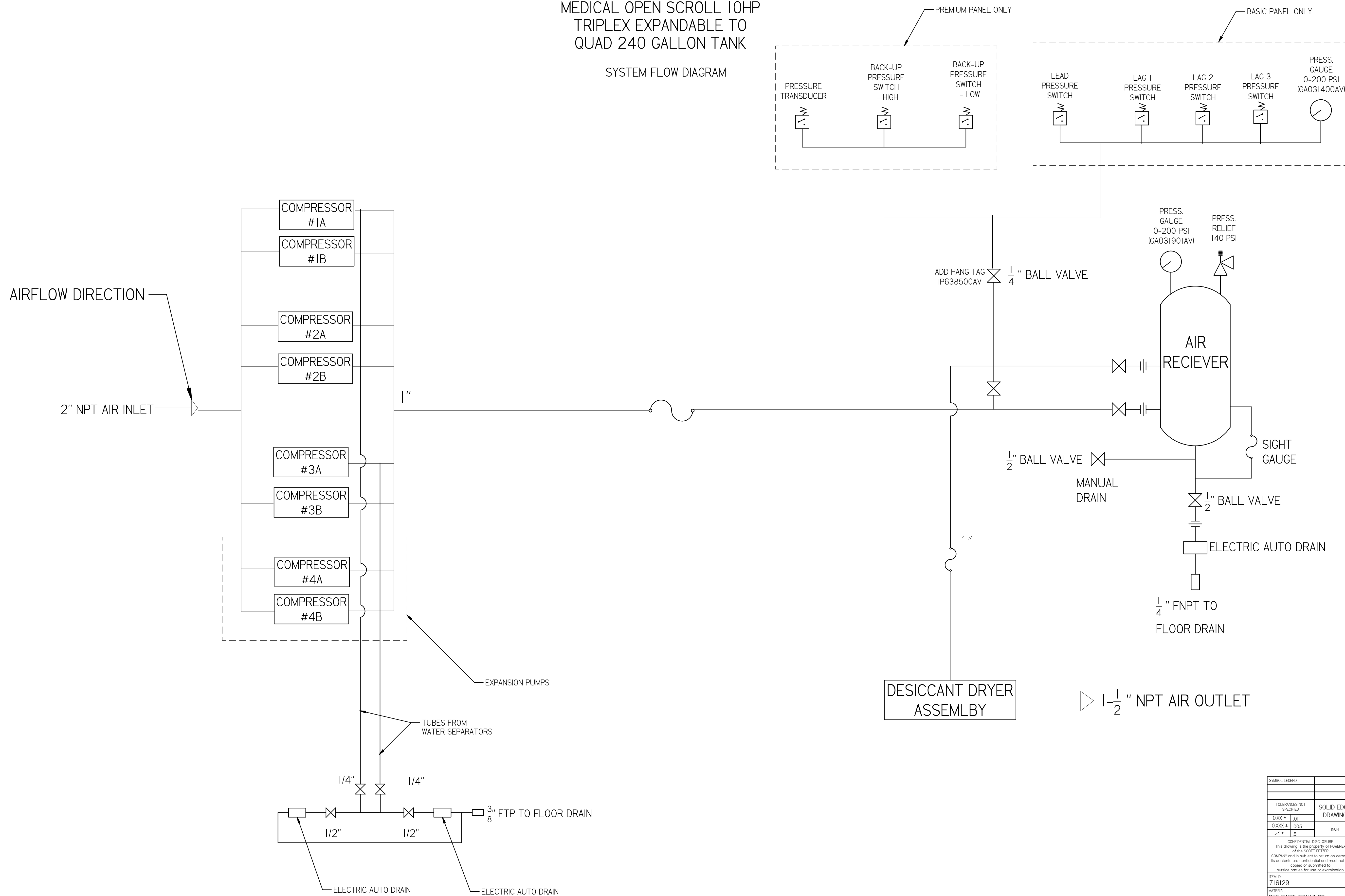
SYMBOL LEGEND		DRAWINGS TO CONFORM TO CURRENT REVISION OF THE FOLLOWING ANSI STANDARDS:		
TOLERANCES NOT SPECIFIED	SOLID EDGE DRAWING	DO NOT SCALE DRAWING FOR DIMENSIONS		
0.XXX ± .01	INCH	SHEET 2 OF 5	SCALE	1:10
0.XXX ± .005				
CONFIDENTIAL DISCLOSURE: This drawing is the property of POWEREX of the SCOTT FETTER COMPANY and is subject to return on demand. Its contents are confidential and must not be copied or submitted to outside parties for use or examination.		AUTHOR	ORIGINATION DATE	APPROVALS ON FILE IN PLM
716129		ASoulek	10/29/2016	
MATERIAL: SEE PART DRAWINGS				
DESCRIPTION: MEDICAL OPEN SCROLL 10HP TRIPLEX EXPANDABLE TO QUAD 240 GALLON TANK		DRAWING NUMBER: MST10A6-EX4	REVISION: C	SIZE: D

# MST10A6-EX4

MEDICAL OPEN SCROLL 10HP  
TRIPLEX EXPANDABLE TO  
QUAD 240 GALLON TANK

SYSTEM FLOW DIAGRAM

REVISION NOTES		
DESCRIPTION	ECN	PR/NOR
PRODUCTION RELEASE	PXECO169	N/A



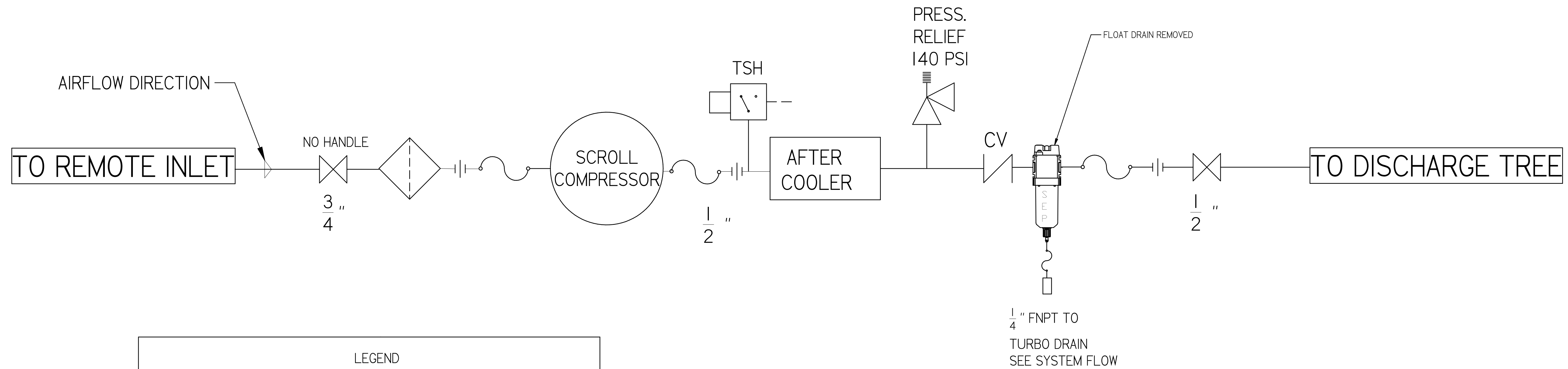
SYMBOL LEGEND		DRAWINGS TO CONFORM TO CURRENT REVISION OF THE FOLLOWING ANSI STANDARDS:	
		Y14.3 MULTI AND SECTIONAL VIEW DIMS	
		Y14.5 DIMENSIONING AND TOLERANCING	
TOLERANCES NOT SPECIFIED	SOLID EDGE DRAWING	DO NOT SCALE DRAWING FOR DIMENSIONS	
0.001 ± .01	INCH	SHEET 3 OF 5	SCALE 1:1
0.0005 ± .005			
<small>CONFIDENTIAL DISCLOSURE</small> This drawing is the property of POWERLEX of the SCOTT FETTER COMPANY and is subject to return on demand. Its contents are confidential and must not be copied or submitted to outside parties for use or examination.		AUTHOR	APPROVALS ON FILE IN PLM
FROM: 716129 MATERIAL: SEE PART DRAWINGS		ASoulek	10/29/2016
DESCRIPTION: MEDICAL OPEN SCROLL 10HP TRIPLEX EXPANDABLE TO QUAD 240 GALLON TANK			
		DRAWING NUMBER: MST10A6-EX4	REVISION: C
			SIZE: D

REVISION NOTES		
DESCRIPTION	ECN	PR/NOR
PRODUCTION RELEASE	PXECO169	N/A

# MST10A6-EX4

MEDICAL OPEN SCROLL 10HP  
TRIPLEX EXPANDABLE TO  
QUAD 240 GALLON TANK

MEDICAL COMPRESSOR  
FLOW DIAGRAM



LEGEND	
	RELIEF VALVE
	INTAKE FILTER
	AIR FILTER
	3 WAY VALVE
	CARBON FILTER
	BALL VALVE
	PRESSURE SWITCH
	REGULATOR
	SEPARATOR
	CHECK VALVE
	FLEX LINE
	TSH HIGH TEMP SWITCH

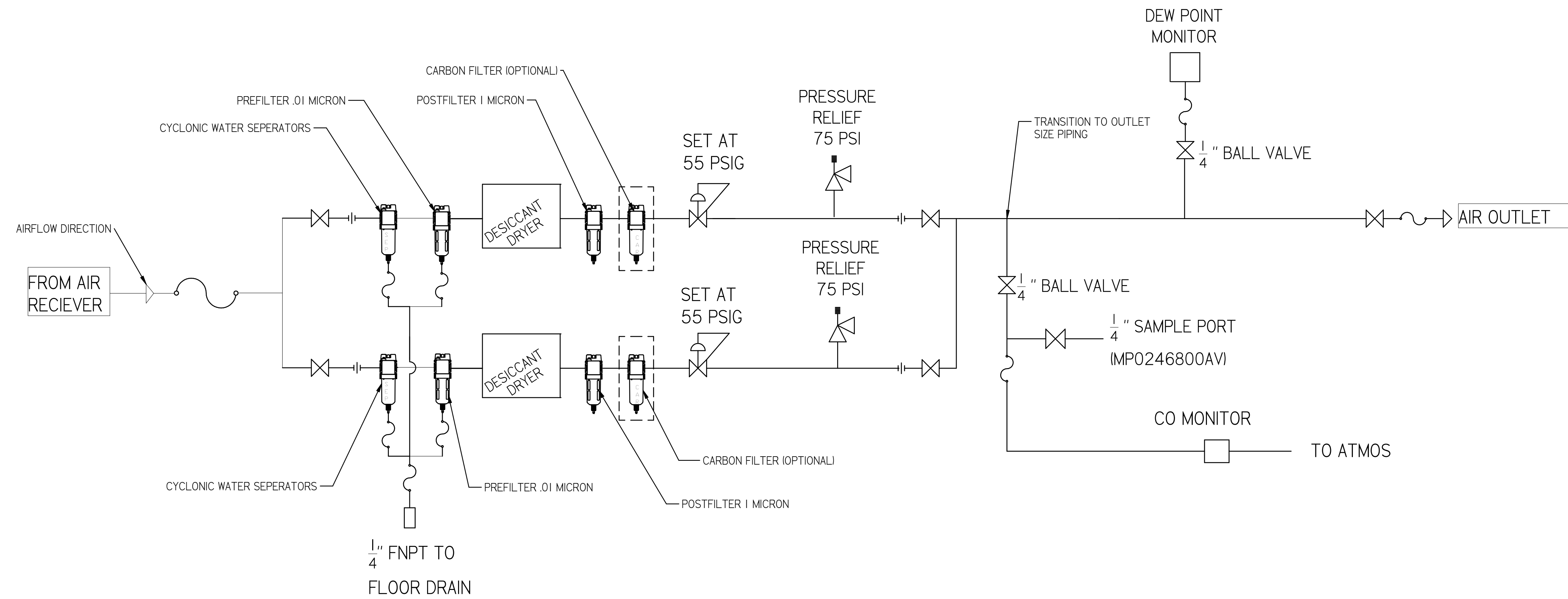
SYMBOL LEGEND		DRAWINGS TO CONFORM TO CURRENT REVISION OF THE FOLLOWING ANSI STANDARDS:	
		Y14.3 MULTI AND SECTIONAL VIEW DWGS	
		Y14.5 DIMENSIONING AND TOLERANCING	
TOLERANCES NOT SPECIFIED	SOLID EDGE DRAWING	DO NOT SCALE DRAWING FOR DIMENSIONS	
0.001 ± .01	INCH	SHEET 4 OF 5	SCALE   1:1
0.0005 ± .005			
CONFIDENTIAL DISCLOSURE This drawing is the property of POWEREX of the SCOTT FETTER COMPANY and is subject to return on demand. Its contents are confidential and must not be copied or submitted to outside parties for use or examination.		AUTHOR	APPROVALS ON FILE IN PLM
ITEM NO: 716129		ASoulek	10/29/2016
MATERIAL: SEE PART DRAWINGS			
DESCRIPTION: MEDICAL OPEN SCROLL 10HP TRIPLEX EXPANDABLE TO QUAD 240 GALLON TANK		DRAWING NUMBER: MST10A6-EX4	REVISION C D

REVISION NOTES		
DESCRIPTION	ECN	PR/NOR
PRODUCTION RELEASE	PXEC0169	N/A

# MST10A6-EX4

MEDICAL OPEN SCROLL 10HP  
TRIPLEX EXPANDABLE TO  
QUAD 240 GALLON TANK

## MEDICAL DRYER FLOW DIAGRAM



PIPE SIZE CHART		
PUMP COUNT	DRYER PLUMBING SIZE	OUTLET PIPE SIZE
2	1/2"	1/2"
3	1/2"	1"
4	1/2"	1"
6	1"	1-1/2"
8	1"	1-1/2"
9	1"	1-1/2"
12	1-1/2"	2"
15	1-1/2"	2"
18	1-1/2"	2"

SYMBOL LEGEND		DRAWINGS TO CONFORM TO CURRENT REVISION OF THE FOLLOWING ANSI STANDARDS: Y14.3 MULTI AND SECTIONAL VIEW DIMS Y14.5 DIMENSIONING AND TOLERANCING	
TOLERANCES NOT SPECIFIED	SOLID EDGE DRAWING	DO NOT SCALE DRAWING FOR DIMENSIONS	
0.XXX ± .01	INCH	SHEET 5 OF 5	SCALE 1:1
0.XXX ± .005			
± .5			
<small>CONFIDENTIAL DISCLOSURE</small> This drawing is the property of POWEREX of the SCOTT FETTER COMPANY and is subject to return on demand. Its contents are confidential and must not be copied or submitted to outside parties for use or examination.		AUTHOR	APPROVALS ON FILE IN PLM
FROM: 716129 MATERIAL: SEE PART DRAWINGS		ORIGINATION DATE: 10/29/2016	ASoulek
DESCRIPTION: MEDICAL OPEN SCROLL 10HP TRIPLEX EXPANDABLE TO QUAD 240 GALLON TANK		DRAWING NUMBER: MST10A6-EX4	REVISION: C SIZE: D

