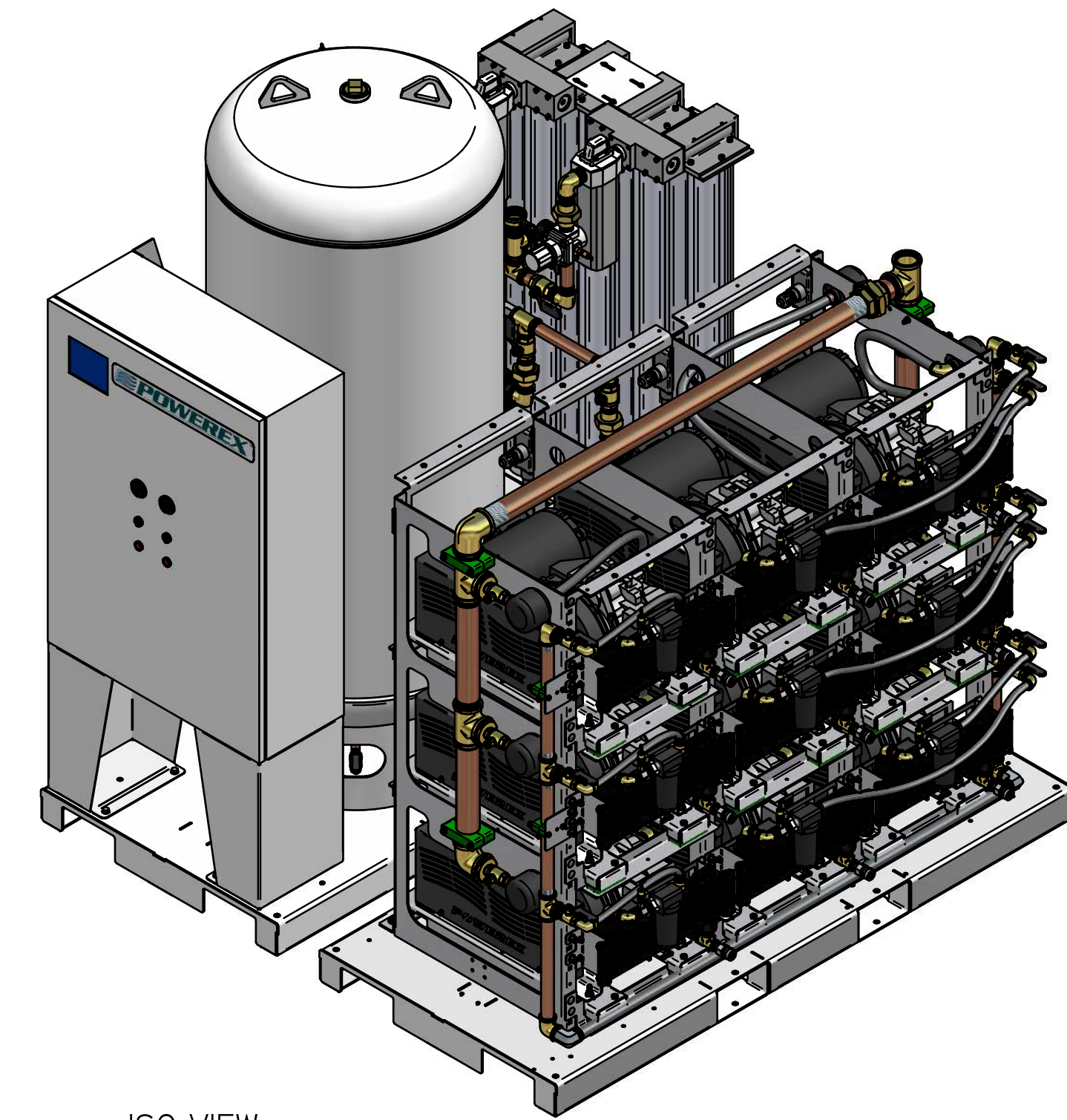
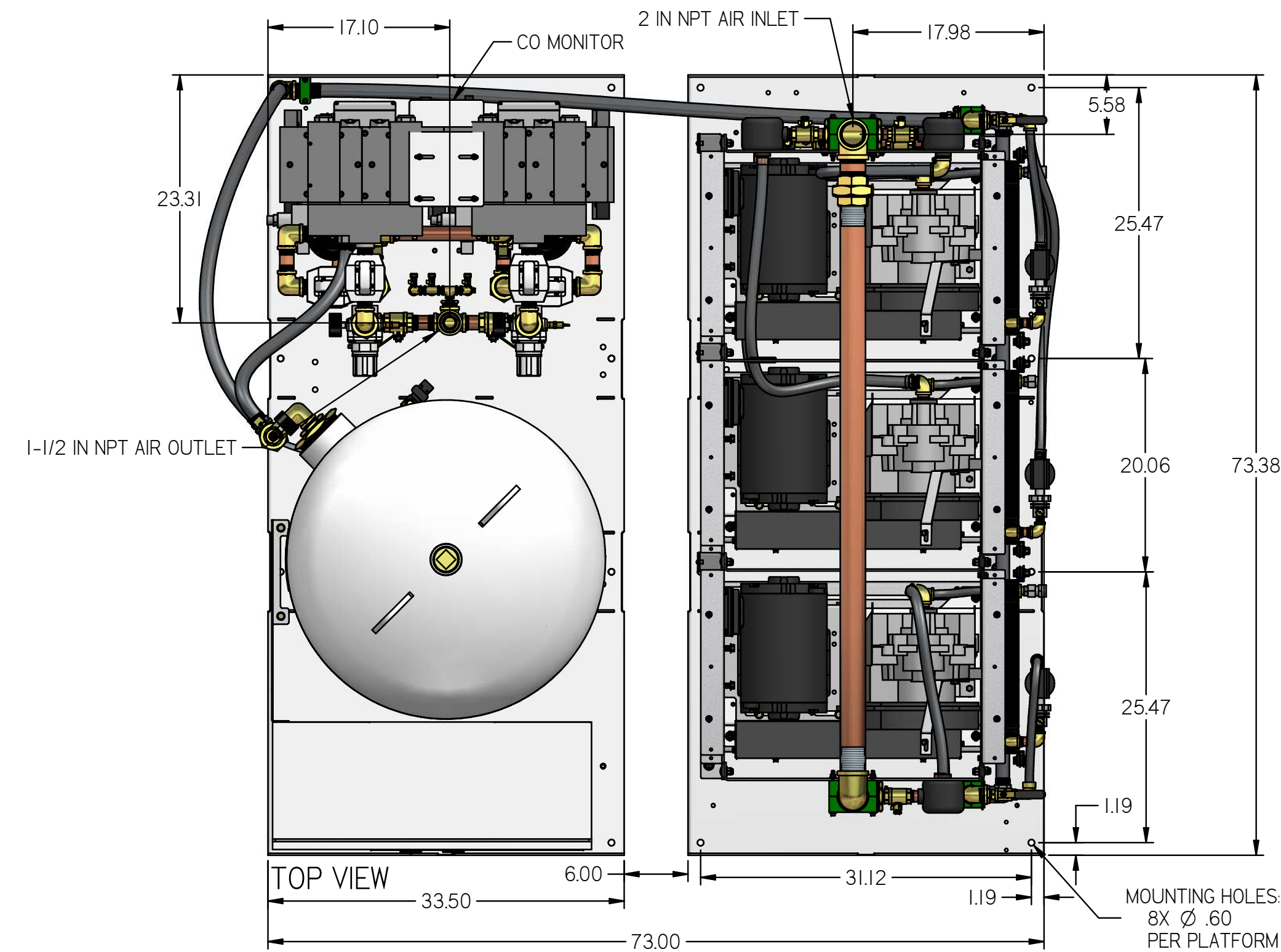


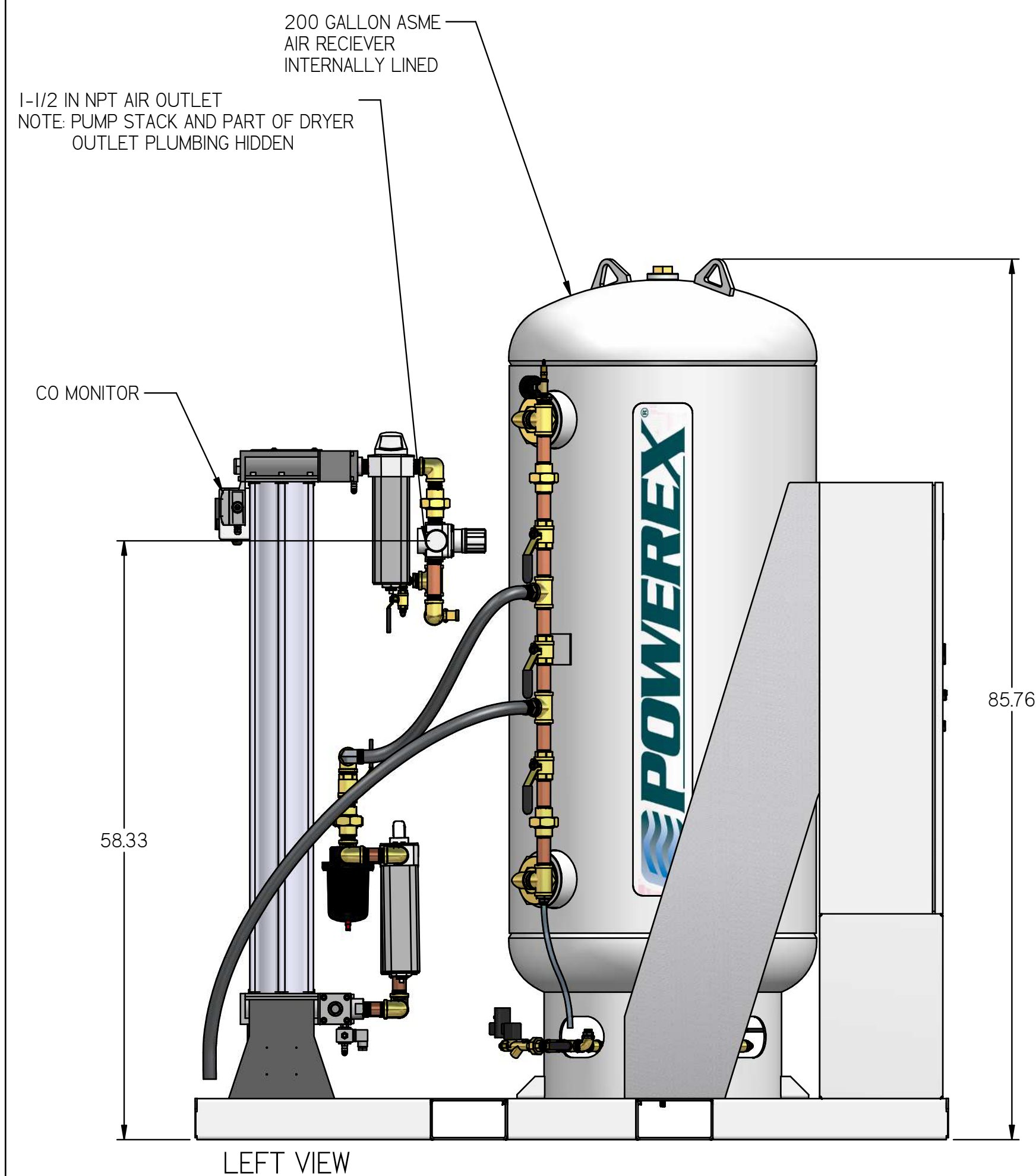
REVISION NOTES		
DESCRIPTION	ECN	PR/NOR
PRODUCTION RELEASE	PXECO169	N/A

# MST15A5

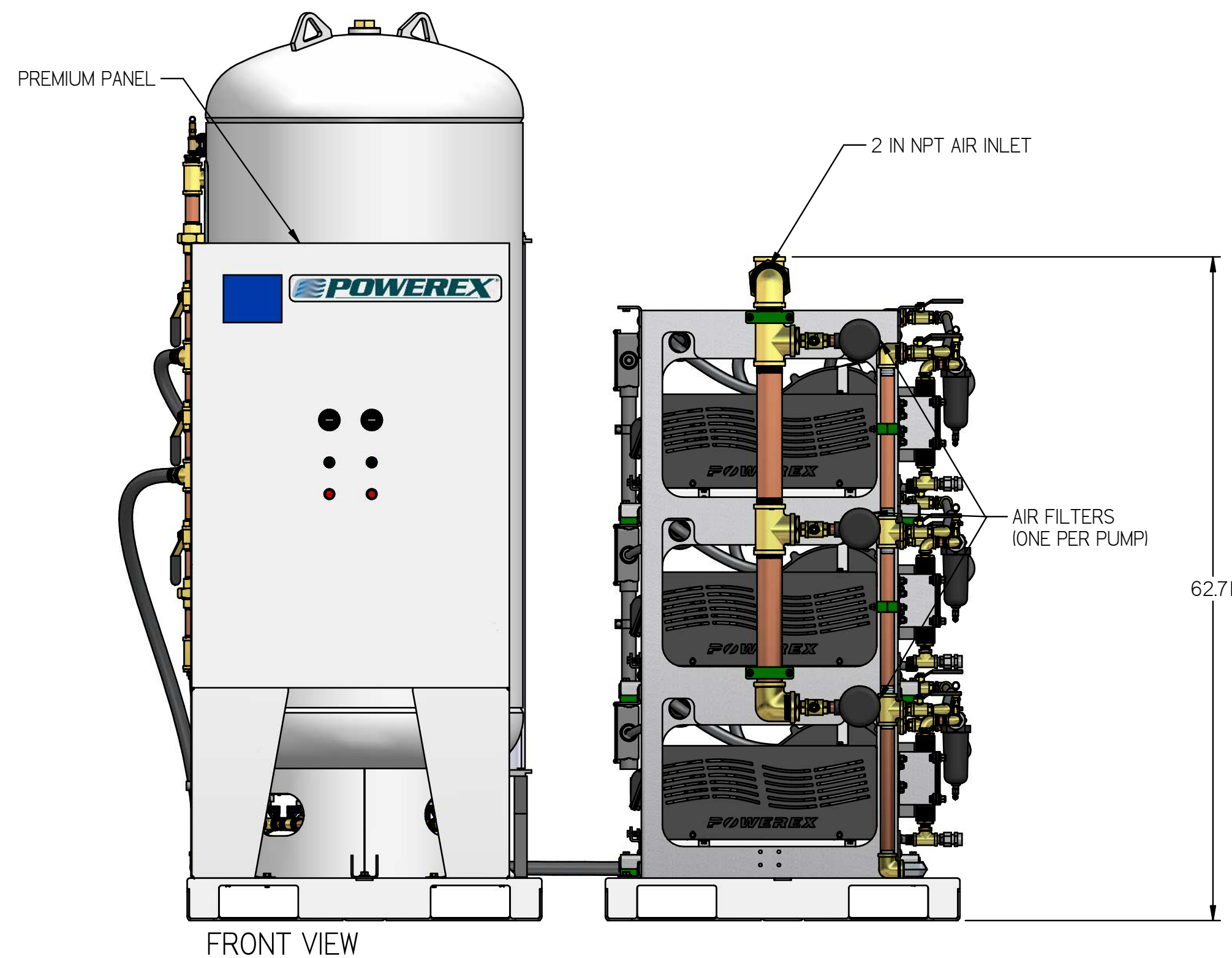
MEDICAL OPEN SCROLL 15HP  
TRIPLEX WITH 200 GALLON  
TANK  
PREMIUM PANEL



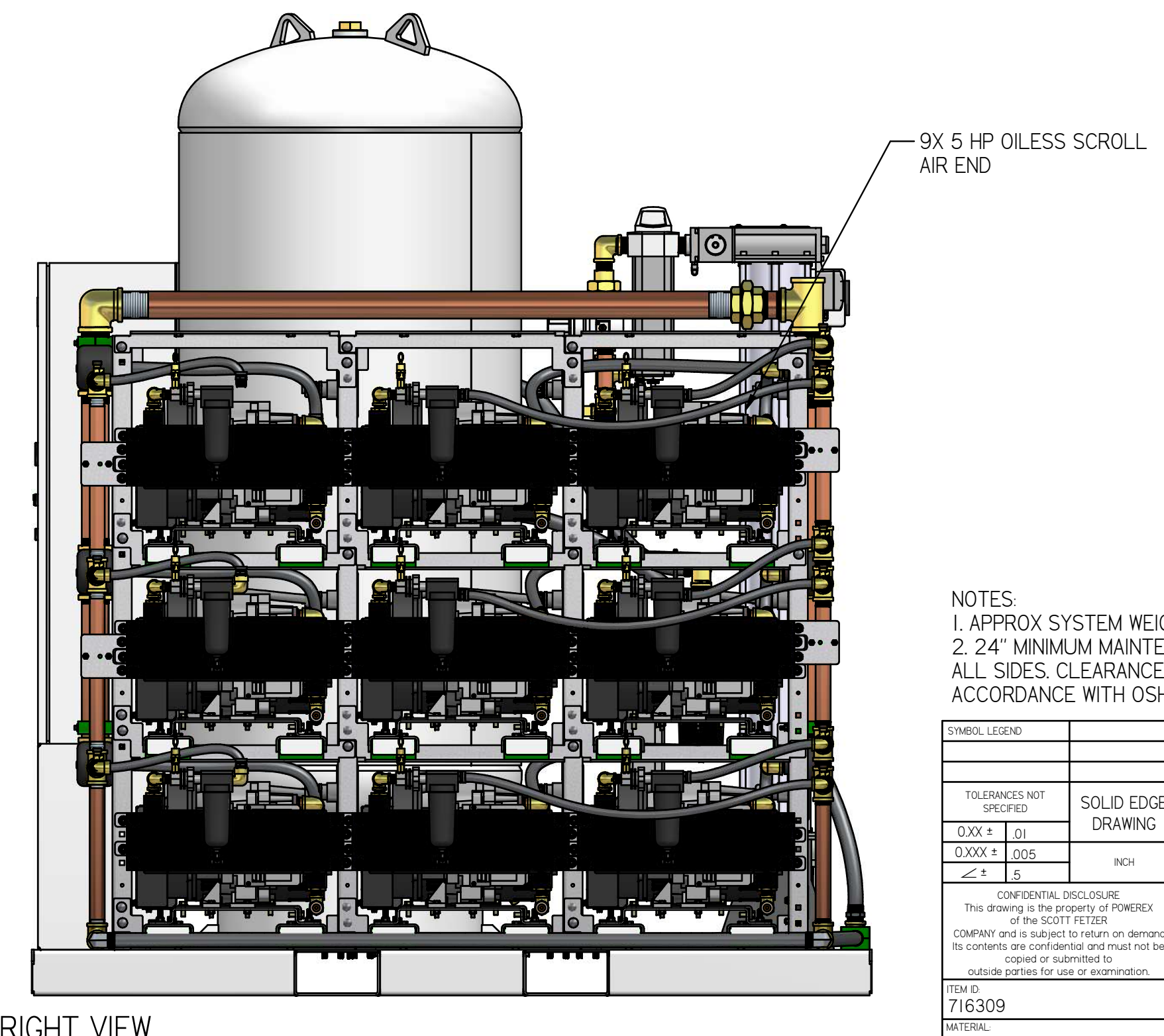
ISO VIEW



LEFT VIEW



FRONT VIEW



RIGHT VIEW

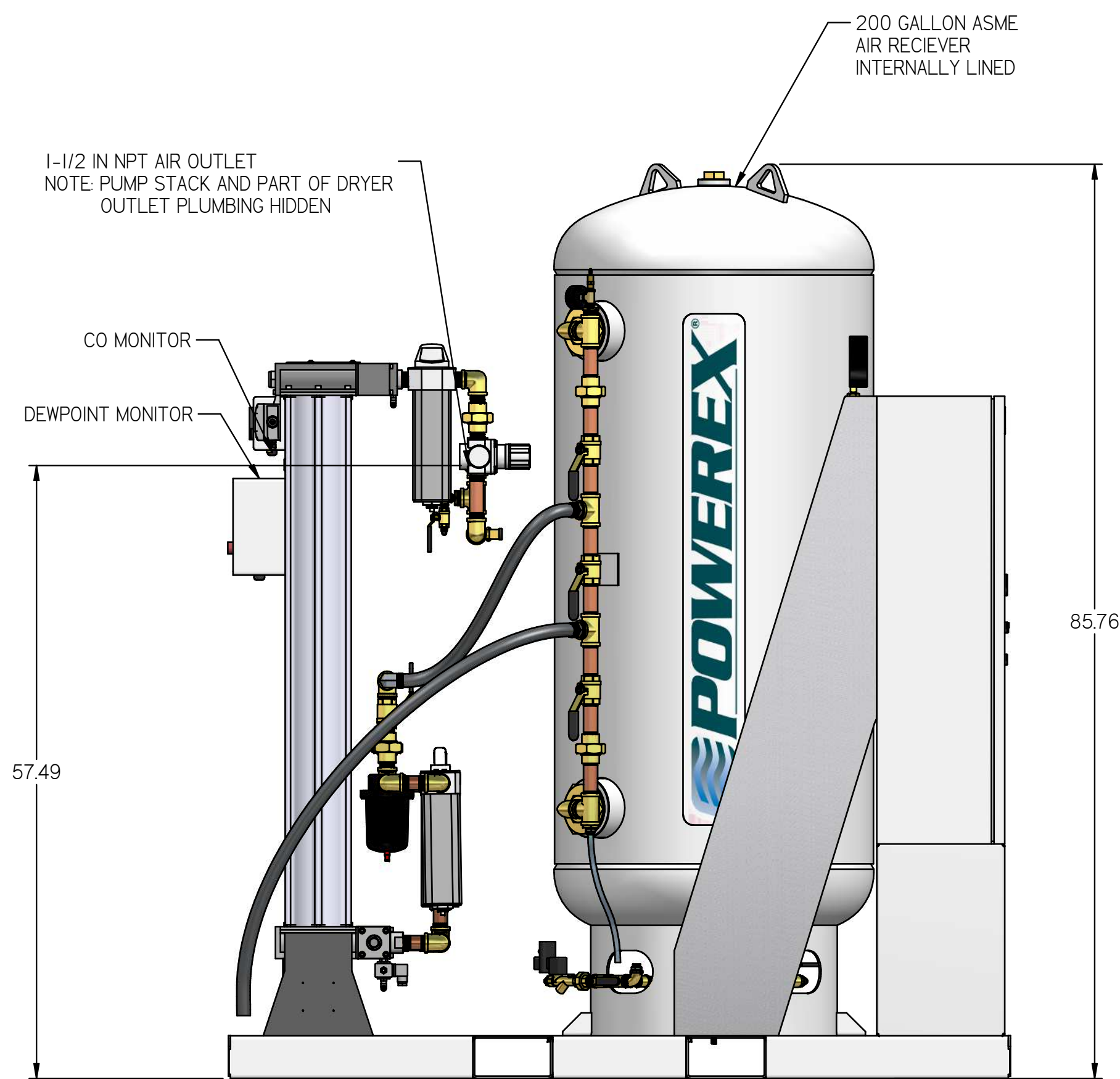
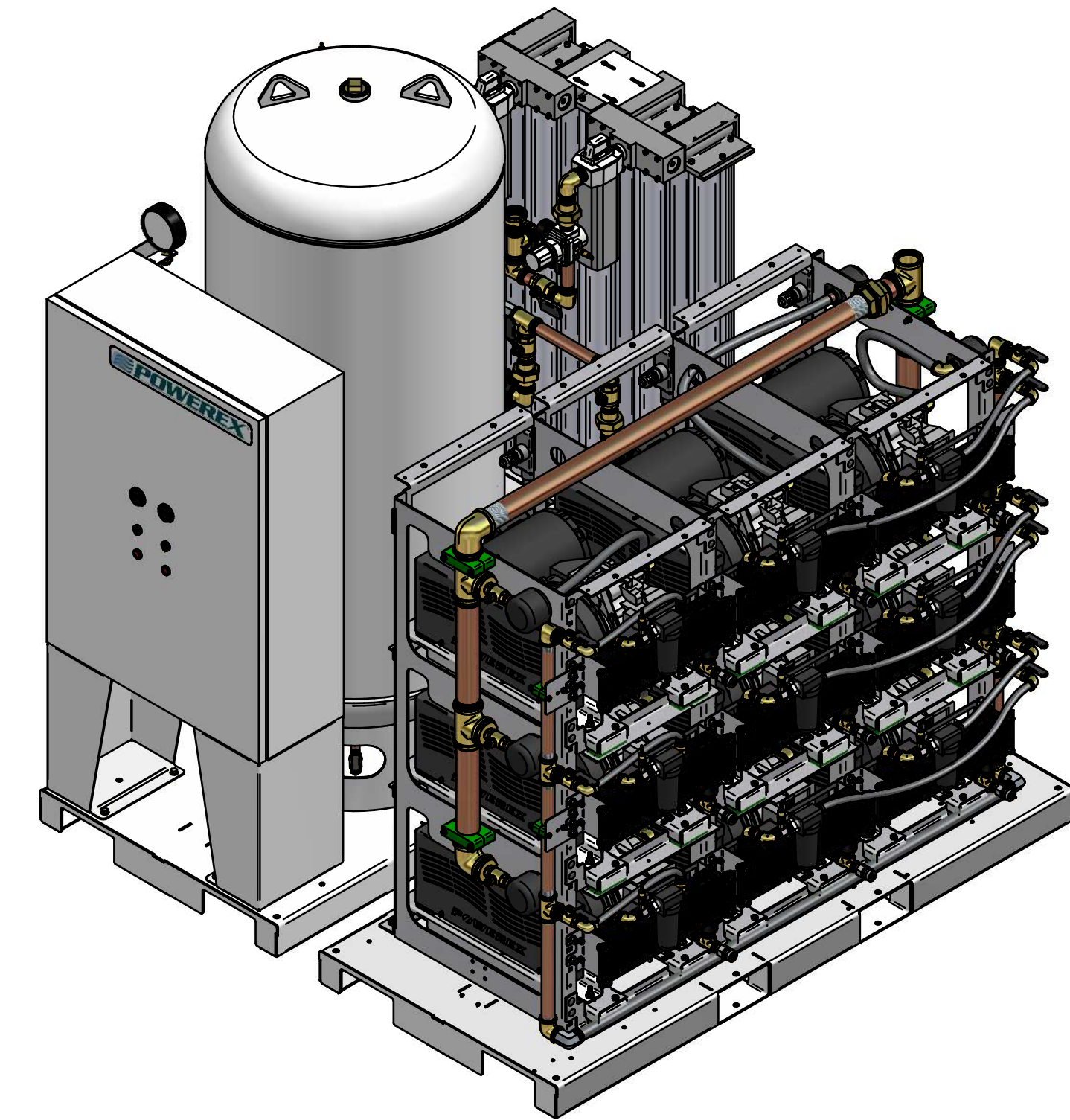
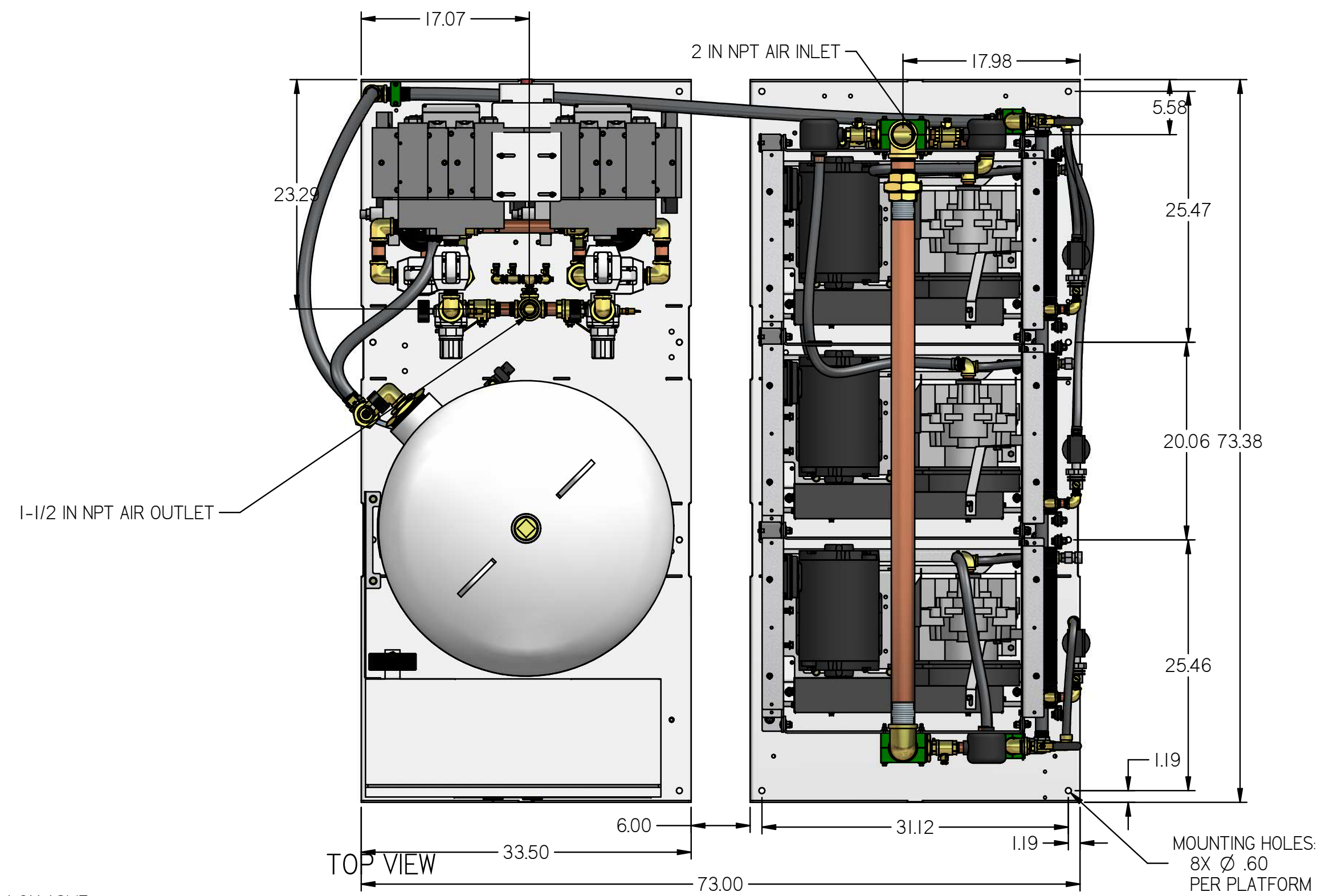
- NOTES:  
 1. APPROX SYSTEM WEIGHT: 4201 LB  
 2. 24" MINIMUM MAINTENANCE CLEARANCE RECOMMENDED  
 ALL SIDES. CLEARANCE FOR CONTROL PANEL SHALL BE IN ACCORDANCE WITH OSHA/NEC REQUIREMENTS

SYMBOL LEGEND		DRAWINGS TO CONFORM TO CURRENT REVISION OF THE FOLLOWING ANSI STANDARDS: Y14.3 MULTI AND SECTIONAL VIEW DIMS Y14.5 DIMENSIONING AND TOLERANCING		
TOLERANCES NOT SPECIFIED	SOLID EDGE DRAWING	DO NOT SCALE DRAWING FOR DIMENSIONS		
0.XXX ± .01	INCH	SHEET 1 OF 5	SCALE	1:1
0.XXX ± .005				
CONFIDENTIAL DISCLOSURE: This drawing is the property of POWEREX of the SCOTT FETTER COMPANY and is subject to return on demand. Its contents are confidential and must not be copied or submitted to outside parties for use or examination.		AUTHOR	ORIGINATION DATE	APPROVALS ON FILE IN PLM
PART NUMBER: 716309		ASoulek	11/5/2018	
MATERIAL: SEE PART NOTES				
DESCRIPTION: MEDICAL OPEN SCROLL 15HP TRIPLEX WITH 200 GALLON TANK				
DRAWING NUMBER: MST15A5		REVISION: B	SIZE: D	

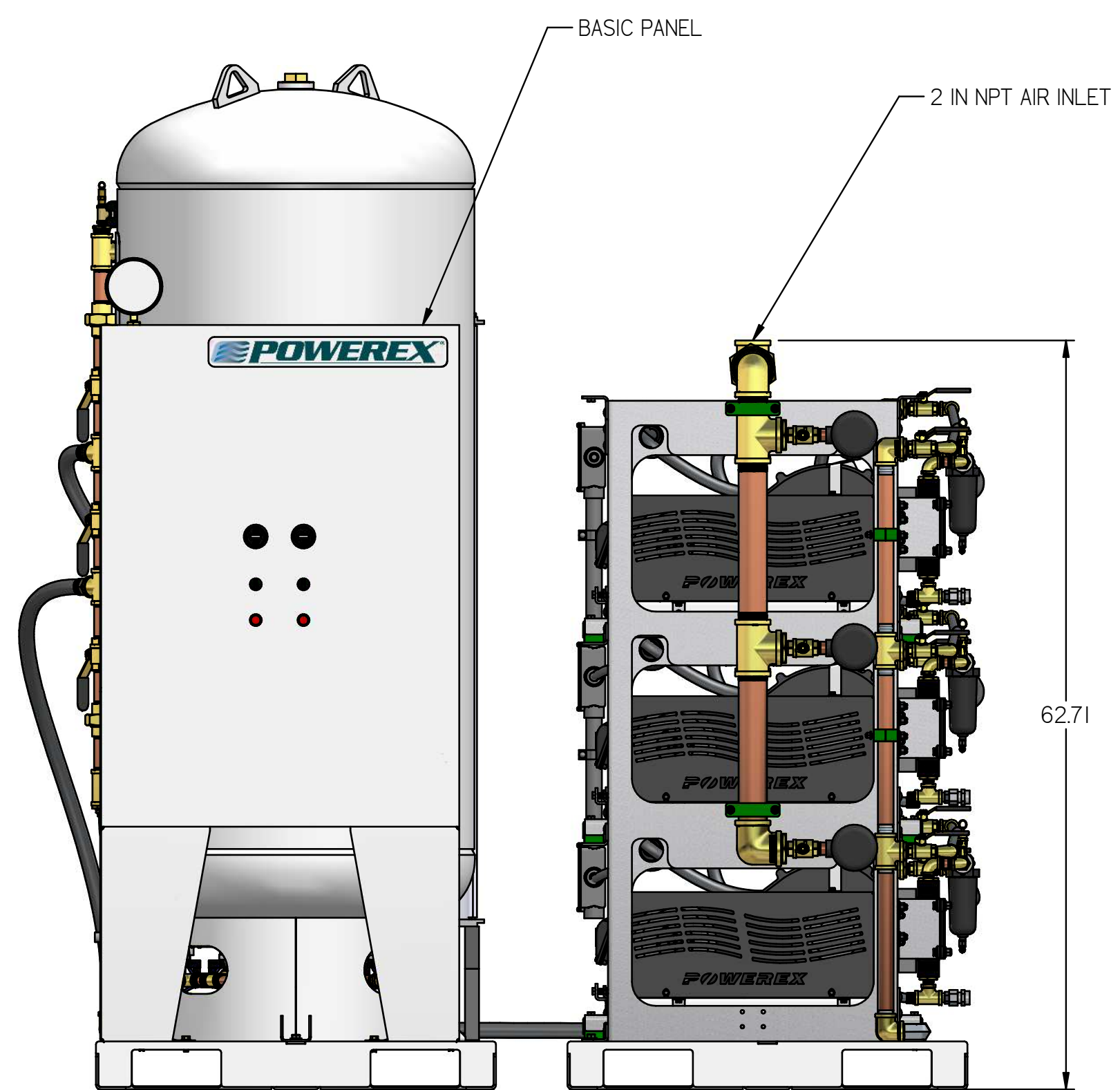
REVISION NOTES		
DESCRIPTION	ECN	PR/NOR
PRODUCTION RELEASE	PXECO169	N/A

# MST15A5

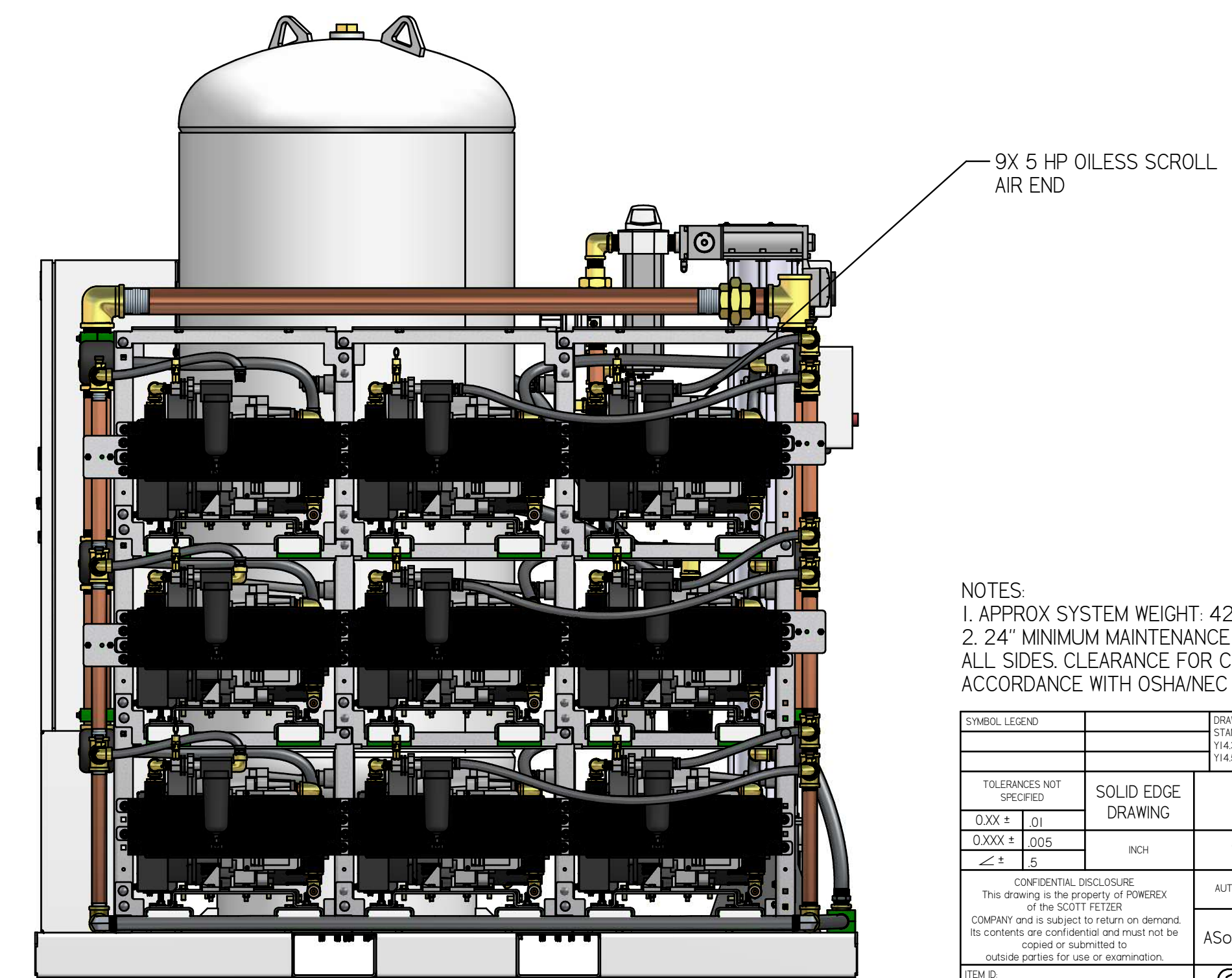
## MEDICAL OPEN SCROLL 15HP TRIPLEX WITH 200 GALLON TANK BASIC PANEL



LEFT VIEW



FRONT VIEW



RIGHT VIEW

- NOTES:  
 1. APPROX SYSTEM WEIGHT: 4201 LB  
 2. 24" MINIMUM MAINTENANCE CLEARANCE RECOMMENDED ALL SIDES. CLEARANCE FOR CONTROL PANEL SHALL BE IN ACCORDANCE WITH OSHA/NEC REQUIREMENTS

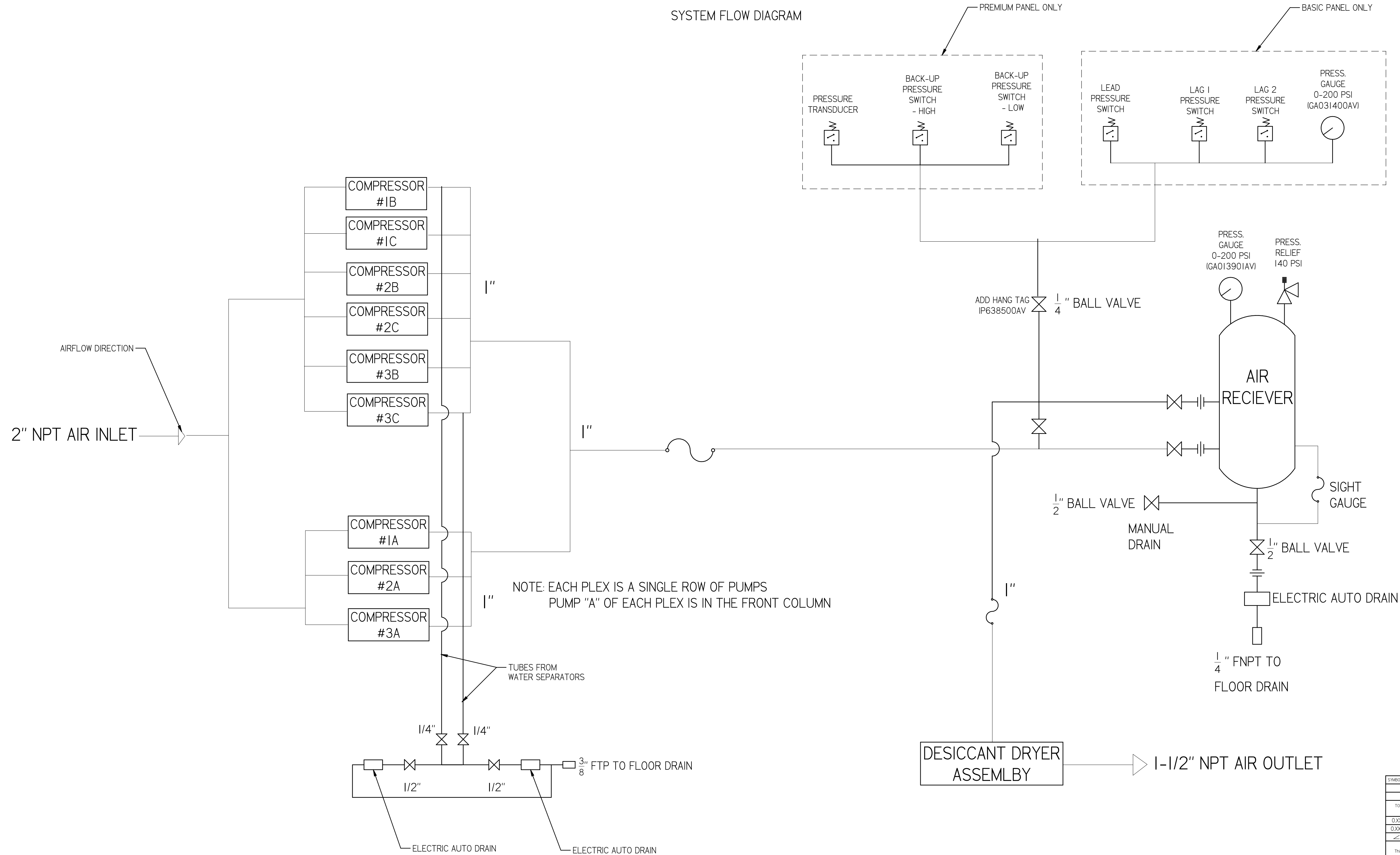
SYMBOL LEGEND		DRAWINGS TO CONFORM TO CURRENT REVISION OF THE FOLLOWING ANSI STANDARDS:	
TOLERANCES NOT SPECIFIED	SOLID EDGE DRAWING	Y14.3 MULTI AND SECTIONAL VIEW DIMS	Y14.5 DIMENSIONING AND TOLERANCING
0.XXX ± .01		DO NOT SCALE DRAWING FOR DIMENSIONS	
0.XXX ± .005	INCH	SHEET 2 OF 5	SCALE 1:1.11
<small>CONFIDENTIAL DISCLOSURE</small> This drawing is the property of POWEREX of the SCOTT FETTER COMPANY and is subject to return on demand. Its contents are confidential and must not be copied or submitted to outside parties for use or examination.		AUTHOR	APPROVALS ON FILE IN PLM
716309	ASoulek	ORIGINATION DATE	11/5/2018
<small>CONFIDENTIAL DISCLOSURE</small> MATERIAL: SEE PART NOTES			
<small>CONFIDENTIAL DISCLOSURE</small> DESCRIPTION: MEDICAL OPEN SCROLL 15HP TRIPLEX WITH 200 GALLON TANK		DRAWING NUMBER	REVISION
		MST15A5	B
			D

# MST15A5

## MEDICAL OPEN SCROLL 15HP TRIPLEX WITH 200 GALLON TANK

SYSTEM FLOW DIAGRAM

REVISION NOTES		
DESCRIPTION	ECN	PR/NOR
PRODUCTION RELEASE	PXECO169	N/A

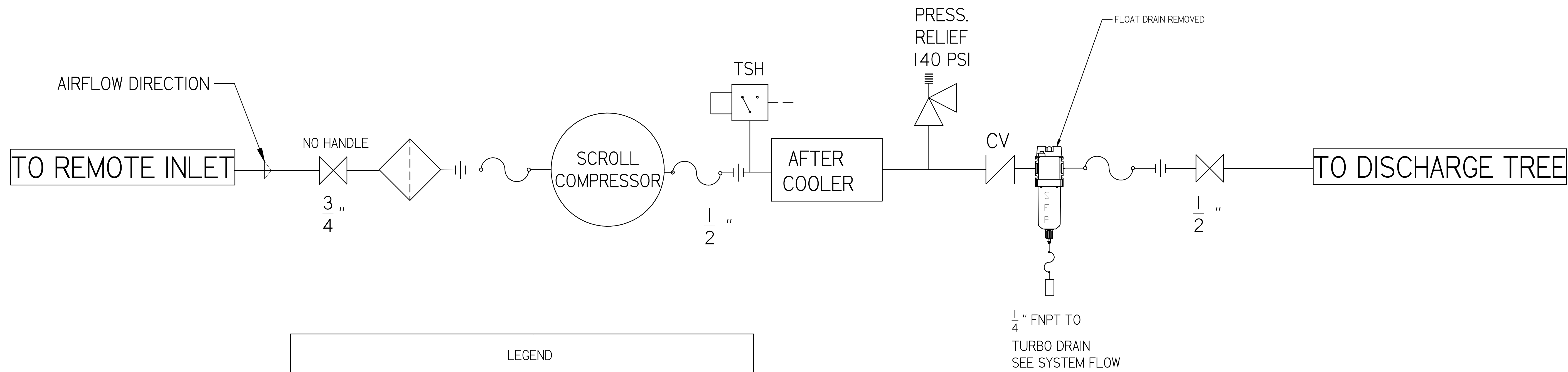


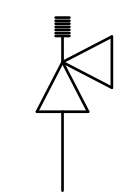
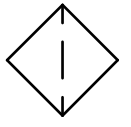
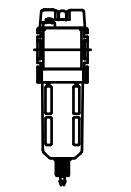

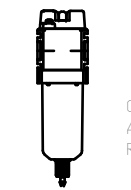

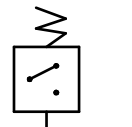
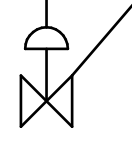
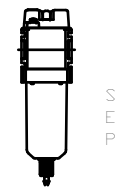


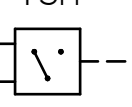
SYMBOL LEGEND		DRAWINGS TO CONFORM TO CURRENT REVISION OF THE FOLLOWING ANSI STANDARDS:	
		Y14.3 MULTI AND SECTIONAL VIEW DIMS	
		Y14.5 DIMENSIONING AND TOLERANCING	
TOLERANCES NOT SPECIFIED	SOLID EDGE DRAWING	DO NOT SCALE DRAWING FOR DIMENSIONS	
0.XXX ± .01		SHEET 3 OF 5	SCALE 1:1
0.XXX ± .005	INH		
± .5		APPROVALS ON FILE IN PLM	
<small>CONFIDENTIAL DISCLOSURE</small> This drawing is the property of POWEREX of the SCOTT FETTER COMPANY and is subject to return on demand. Its contents are confidential and must not be copied or submitted to outside parties for use or examination.		A Soulek	11/5/2018
ITEM #	716309		
MATERIAL	SEE PART NOTES	<small>150 PRODUCTION DRIVE, HARRISON OH 45030</small> <small>888-768-7079</small>	
DESCRIPTION	MEDICAL OPEN SCROLL 15HP TRIPLEX WITH 200 GALLON TANK	DRAWING NUMBER	MST15A5
		REVISION	B
		SIZE	D

REVISION NOTES		
DESCRIPTION	ECN	PR/NOR
PRODUCTION RELEASE	PXECO169	N/A

# MST15A5

MEDICAL OPEN SCROLL 15HP  
TRIPLEX WITH 200 GALLON  
TANK  
MEDICAL COMPRESSOR  
FLOW DIAGRAM



LEGEND	
	RELIEF VALVE
	INTAKE FILTER
	AIR FILTER
	3 WAY VALVE
	CARBON FILTER
	BALL VALVE
	PRESSURE SWITCH
	REGULATOR
	SEPARATOR
	CHECK VALVE
	FLEX LINE
	TSH HIGH TEMP SWITCH

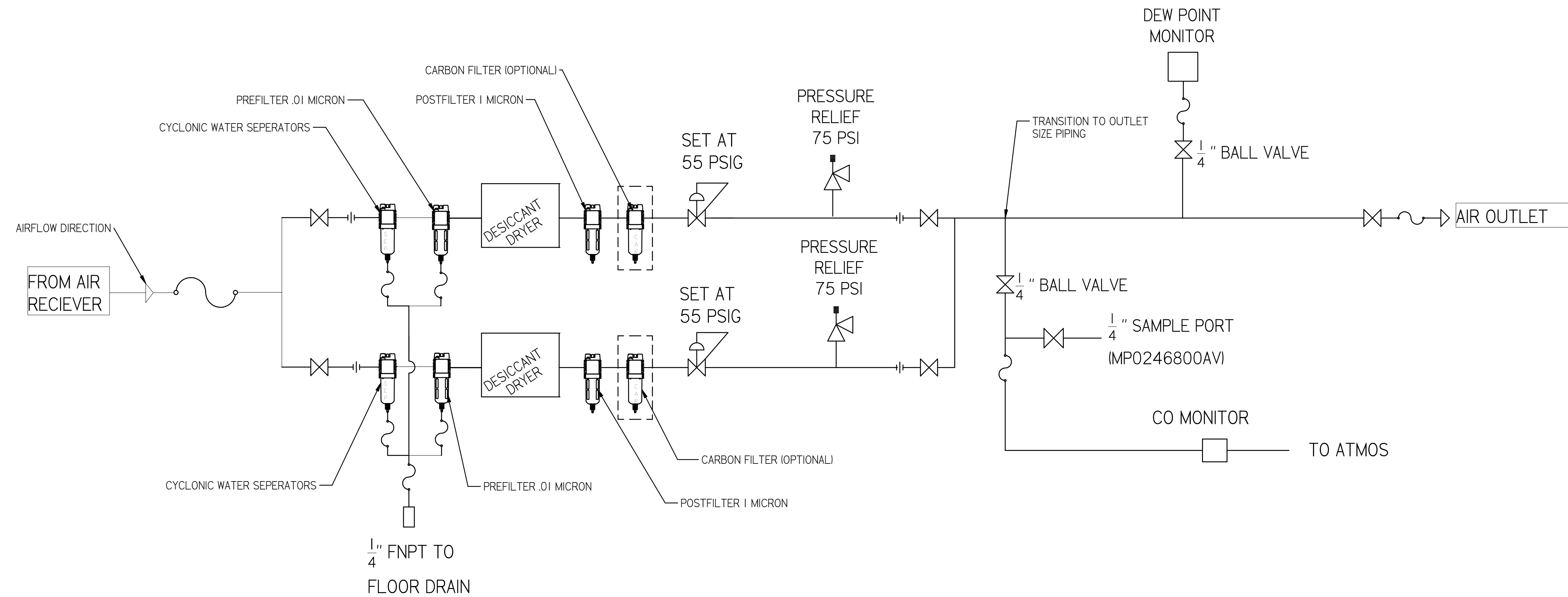
SYMBOL LEGEND		DRAWINGS TO CONFORM TO CURRENT REVISION OF THE FOLLOWING ANSI STANDARDS:	
		Y14.3 MULTI AND SECTIONAL VIEW DWGS Y14.5 DIMENSIONING AND TOLERANCING	
TOLERANCES NOT SPECIFIED:	SOLID EDGE DRAWING	DO NOT SCALE DRAWING FOR DIMENSIONS	
0.XXX ± .01	INCH	SHEET 4 OF 5	SCALE 1:1
0.XXX ± .005			
± .5			
<small>CONFIDENTIAL DISCLOSURE</small> This drawing is the property of POWEREX of the SCOTT FETTER COMPANY and is subject to return on demand. Its contents are confidential and must not be copied or submitted to outside parties for use or examination.		AUTHOR	APPROVALS ON FILE IN PLM
ITOM ID: 716309 MATERIAL: SEE PART NOTES		ASoulek	11/5/2018
DESCRIPTION: MEDICAL OPEN SCROLL 15HP TRIPLEX WITH 200 GALLON TANK		DRAWING NUMBER: MST15A5	REVISION: B SIZE: D



REVISION NOTES		
DESCRIPTION	ECN	PR/NOR
PRODUCTION RELEASE	PXECO169	N/A

# MST15A5

MEDICAL OPEN SCROLL 15HP  
TRIPLEX WITH 200 GALLON  
TANK  
MEDICAL DRYER  
FLOW DIAGRAM



PIPE SIZE CHART		
PUMP COUNT	DRYER PLUMBING SIZE	OUTLET PIPE SIZE
2	1/2"	1/2"
3	1/2"	1"
4	1/2"	1"
6	1"	1-1/2"
8	1"	1-1/2"
9	1"	1-1/2"
12	1-1/2"	2"
15	1-1/2"	2"
18	1-1/2"	2"

SYMBOL LEGEND		DRAWINGS TO CONFORM TO CURRENT REVISION OF THE FOLLOWING ANSI STANDARDS: #14.3 MULTI AND SECTIONAL VIEW DIMS #14.5 DIMENSIONING AND TOLERANCING	
TOLERANCES NOT SPECIFIED	SOLID EDGE DRAWING	DO NOT SCALE DRAWING FOR DIMENSIONS	
0.XXX ± .01		SHEET 5 OF 5	SCALE 1:1
0.XXX ± .005	AUTHOR		
± .5		ASoulek	11/5/2018
<small>CONFIDENTIAL DISCLOSURE</small> This drawing is the property of POWEREX or the SCOTT FETTER COMPANY and is subject to return on demand. Its contents are confidential and must not be copied or submitted to outside parties for use or examination.			
ITEM #: 716309 MATERIAL: SEE PART NOTES		DRAWING NUMBER: MST15A5 REVISION: B SIZE: D	

