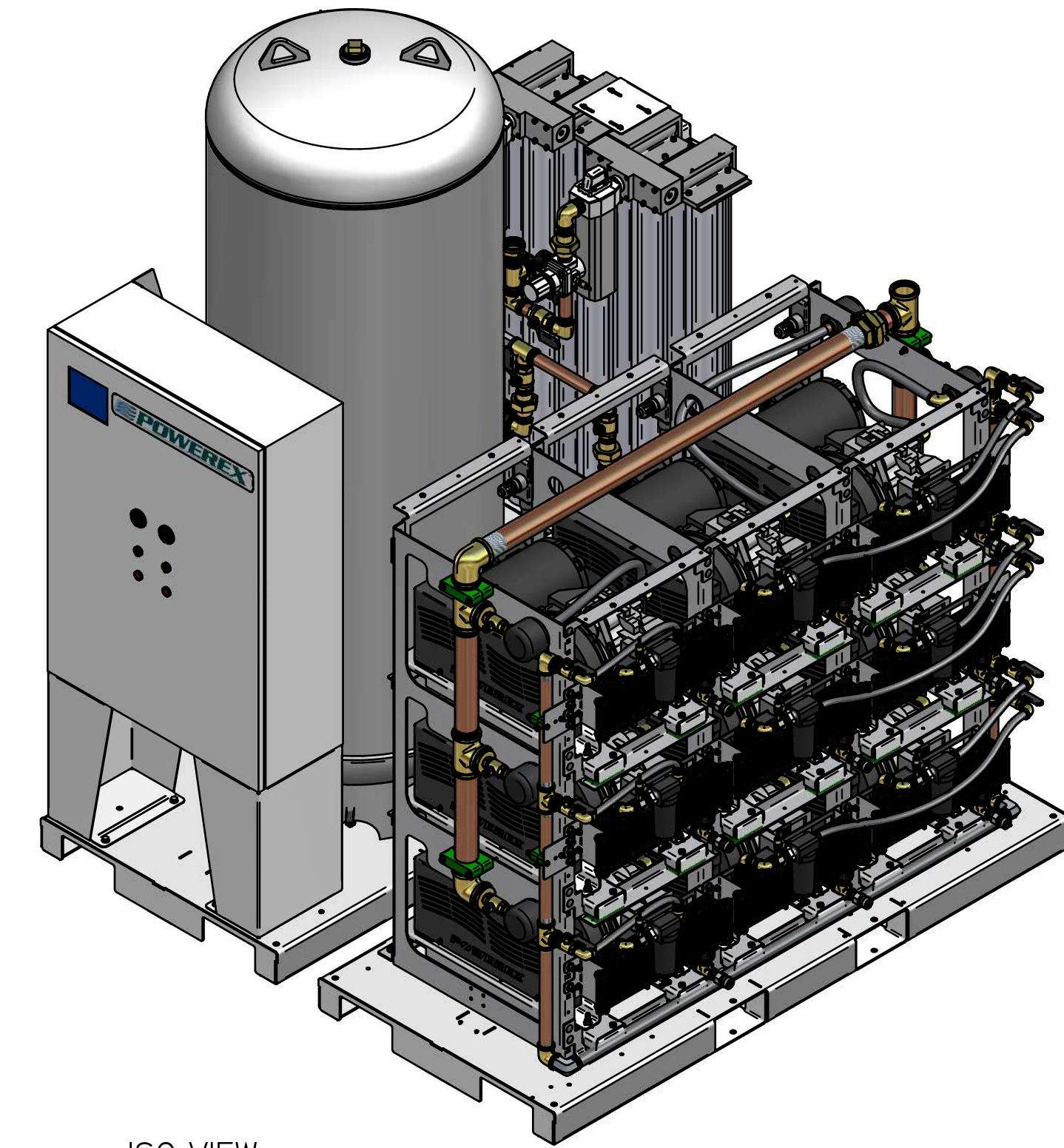
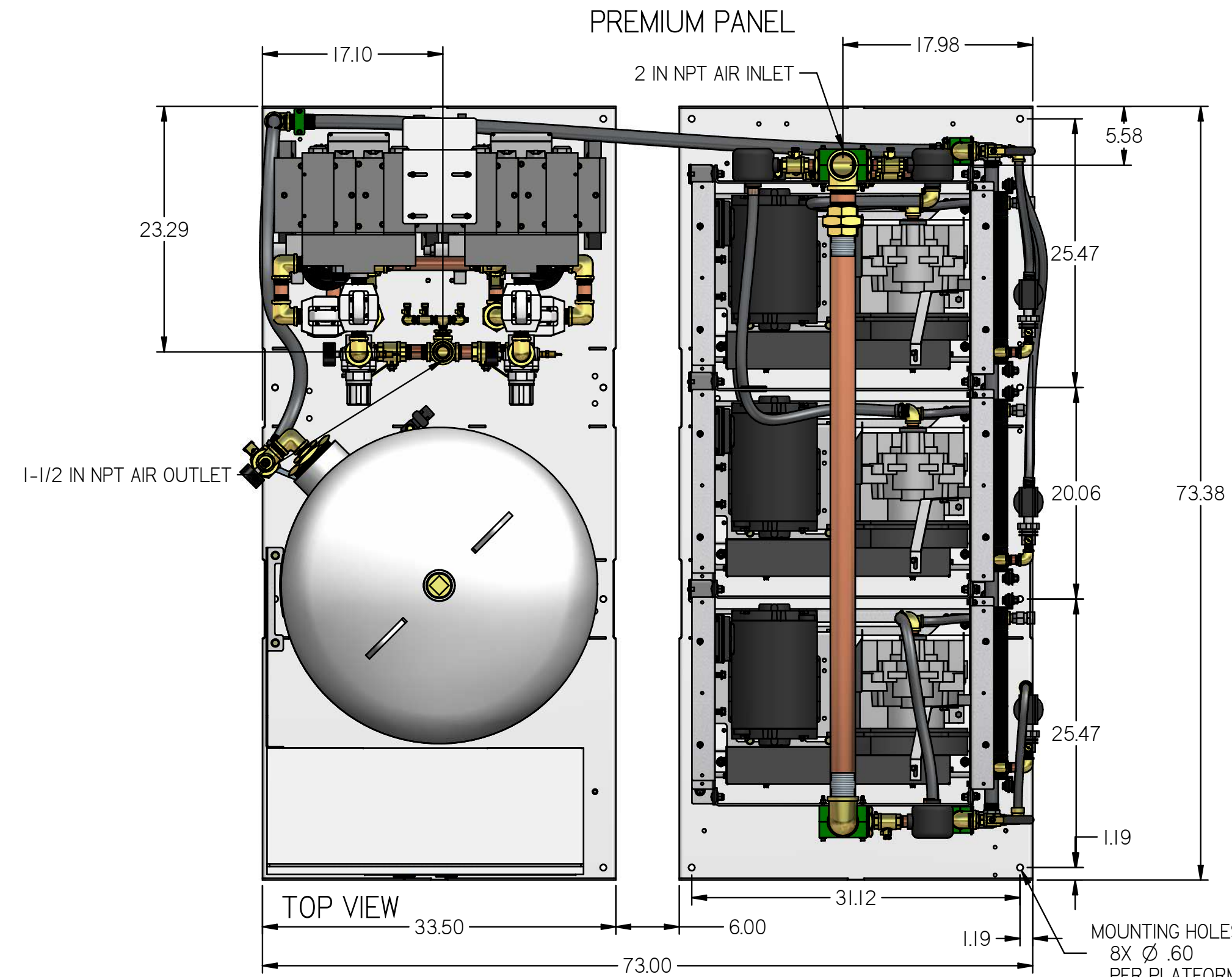


REVISION NOTES		
DESCRIPTION	ECN	PR/NOR
PRODUCTION RELEASE	PXECO169	N/A

MST15A6

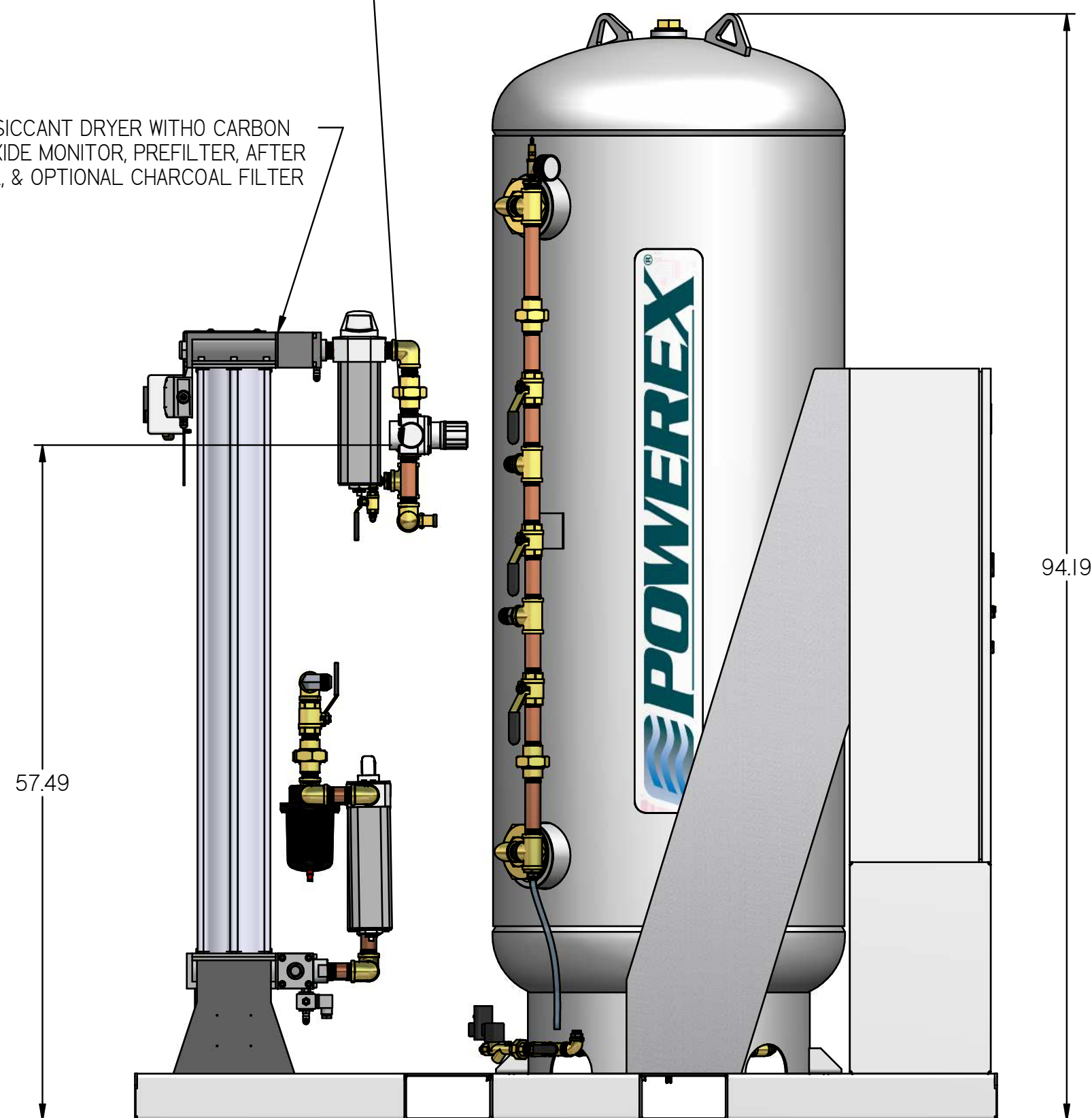
MEDICAL OPEN SCROLL 15HP TRIPLEX WITH 240 GALLON TANK



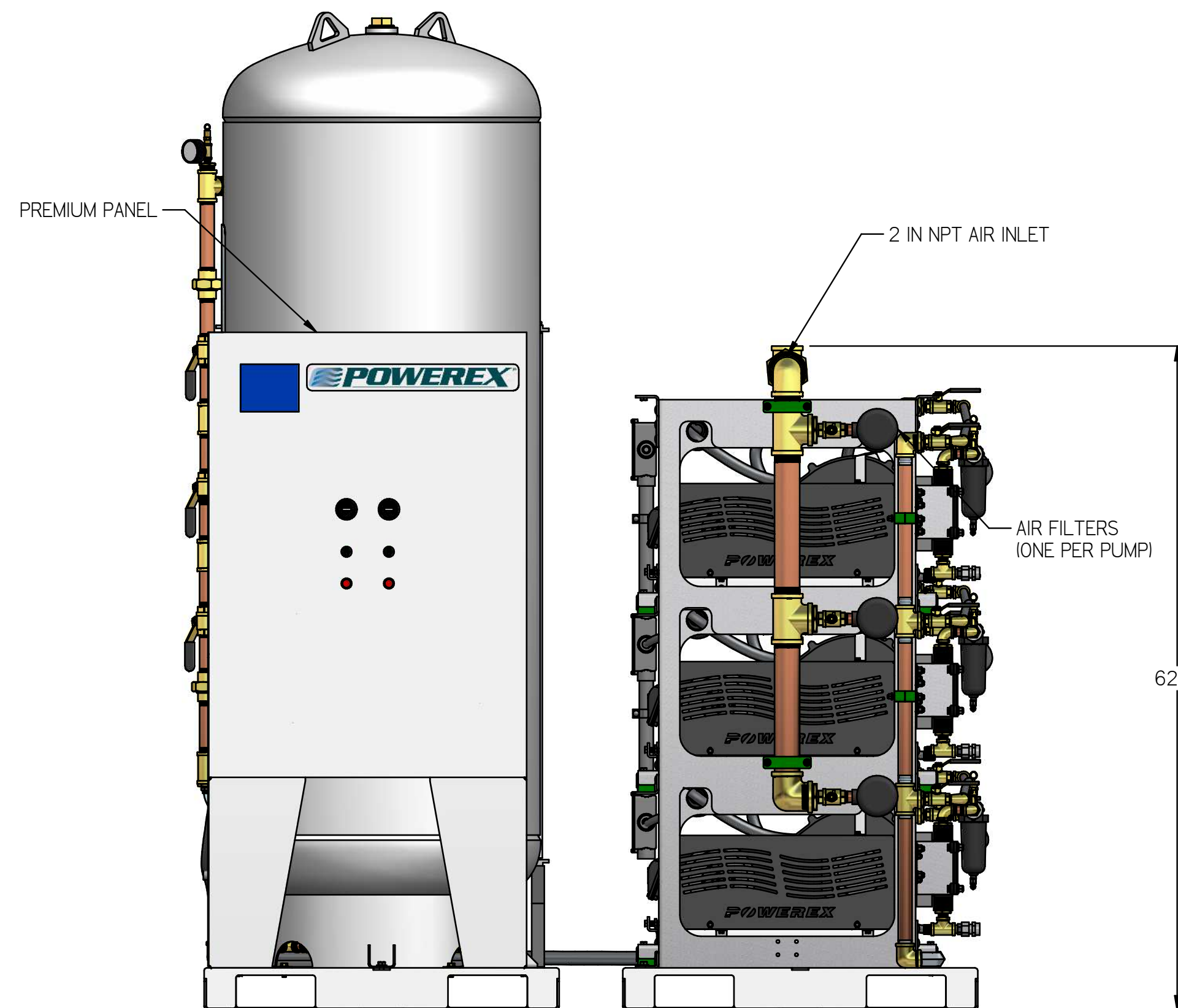
ISO VIEW

1-1/2 IN NPT AIR OUTLET
NOTE: PUMP STACK AND PART OF DRYER
OUTLET PLUMBING HIDDEN

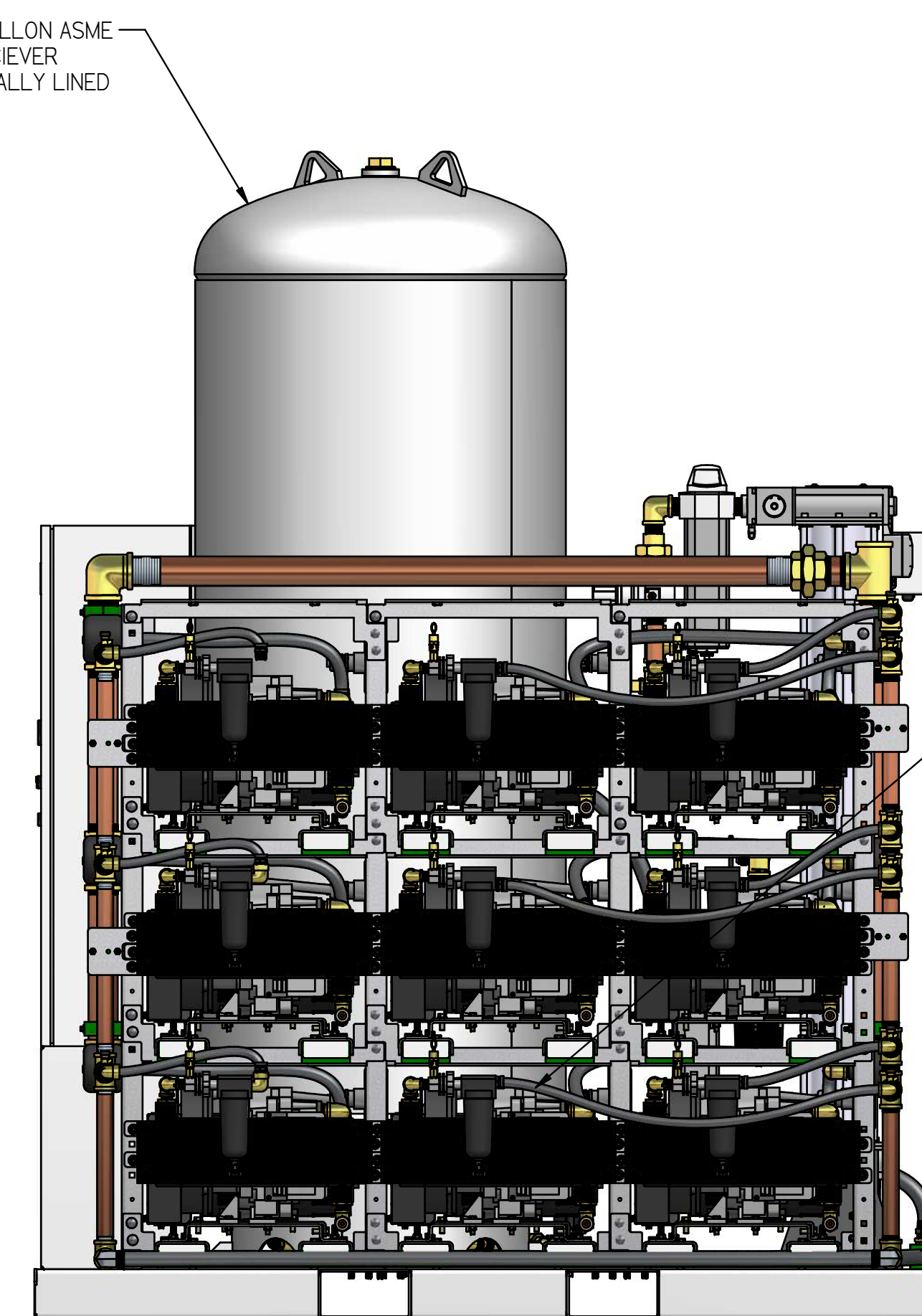
2X DESICCANT DRYER WITH CARBON
MONOXIDE MONITOR, PREFILTER, AFTER
FILTER, & OPTIONAL CHARCOAL FILTER



LEFT VIEW



FRONT VIEW



RIGHT VIEW

- NOTES:
1. APPROX SYSTEM WEIGHT: 4260 LB
2. 24" MINIMUM MAINTENANCE CLEARANCE RECOMMENDED
ALL SIDES. CLEARANCE FOR CONTROL PANEL SHALL BE IN
ACCORDANCE WITH OSHA/NEC REQUIREMENTS

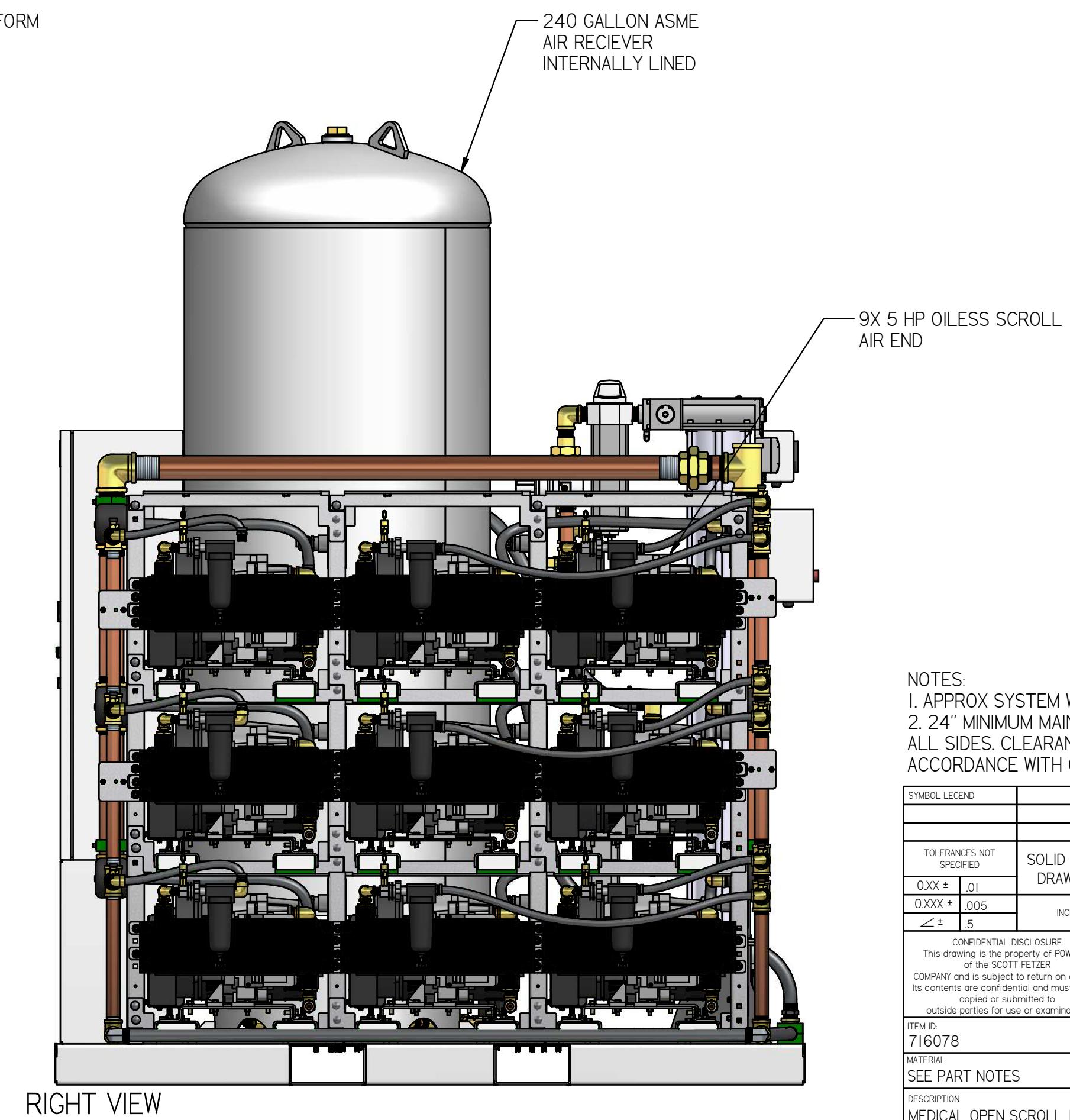
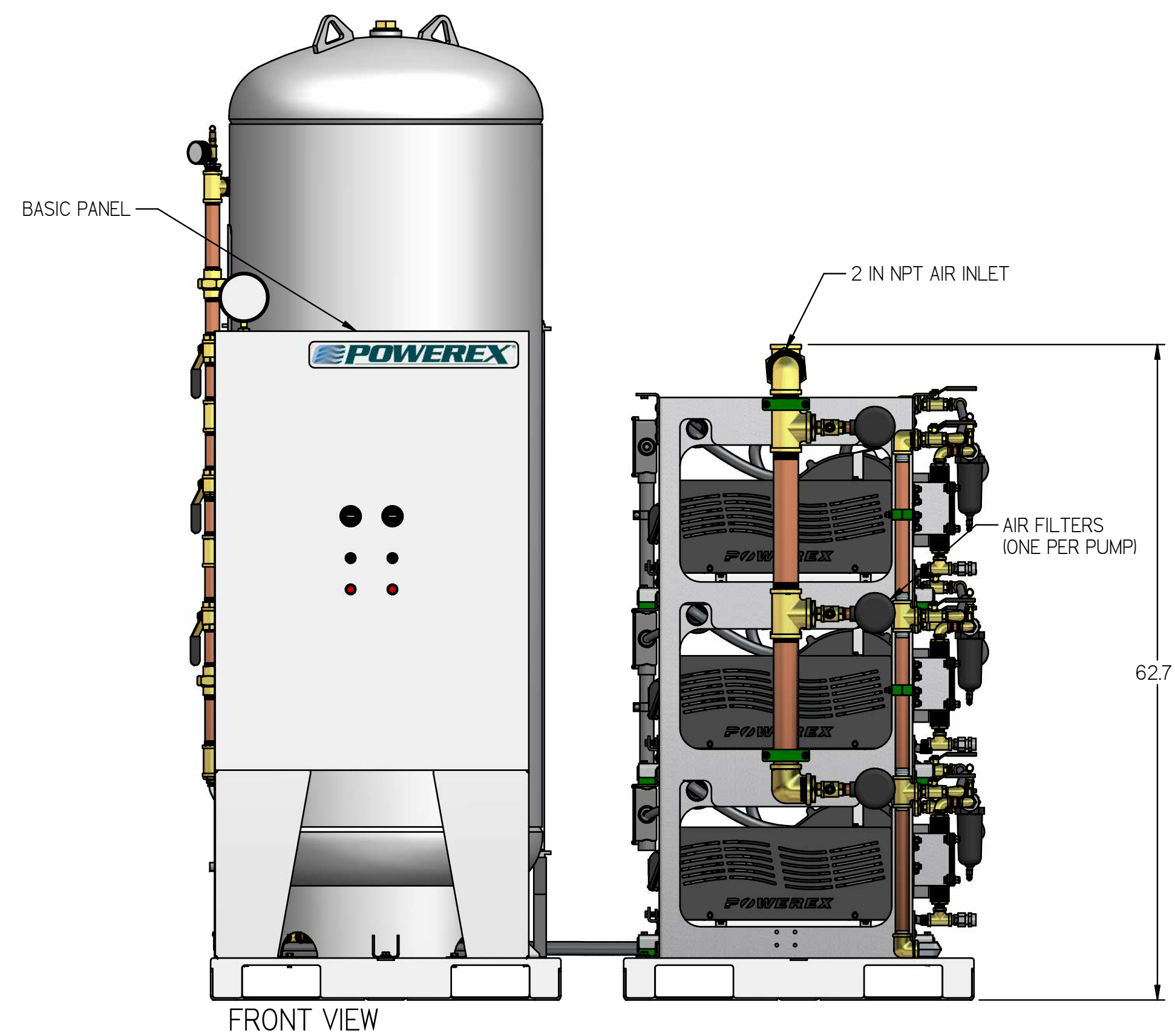
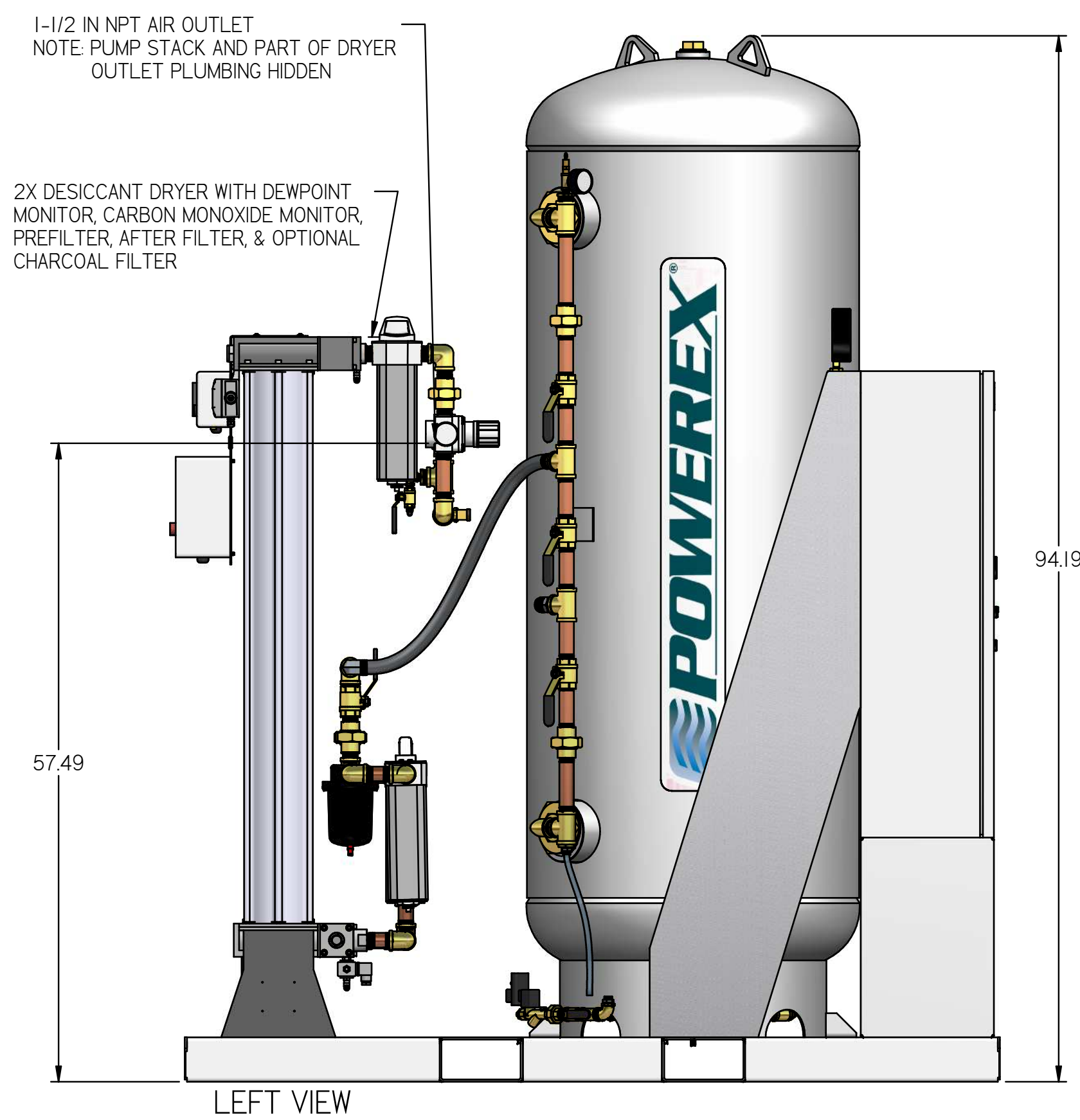
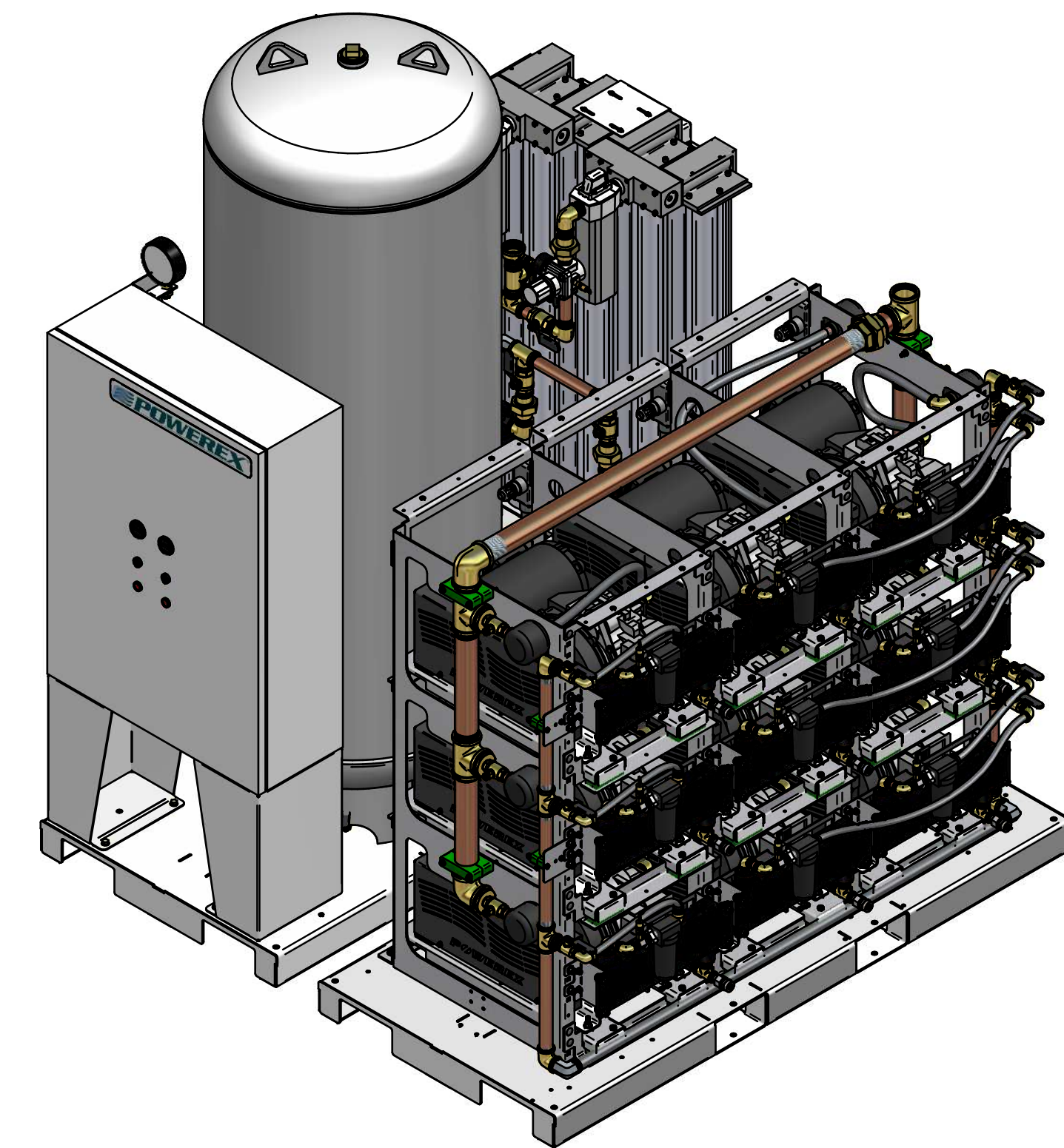
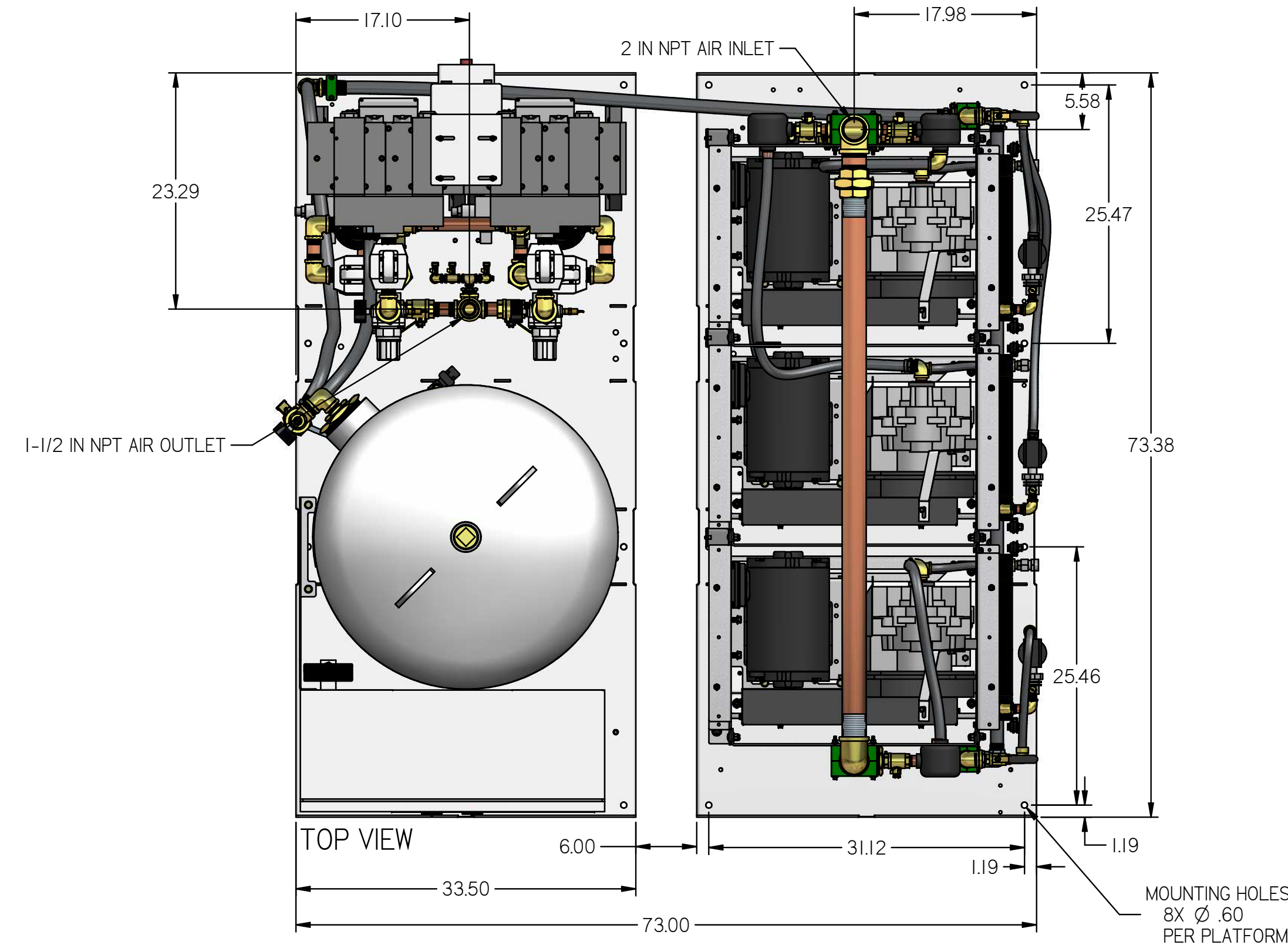
SYMBOL LEGEND		DRAWINGS TO CONFORM TO CURRENT REVISION OF THE FOLLOWING ANSI STANDARDS:		
TOLERANCES NOT SPECIFIED	SOLID EDGE DRAWING	DO NOT SCALE DRAWING FOR DIMENSIONS		
0.XXX ± .01	INCH	SHEET 1 OF 5	SCALE	1:1.11
0.XXX ± .005		APPROVALS ON FILE IN PLM		
<small>CONFIDENTIAL DISCLOSURE</small> This drawing is the property of POWEREX of the SCOTT FETTER COMPANY and is subject to return on demand. Its contents are confidential and must not be copied or submitted to outside parties for use or examination.		AUTHOR	ORIGINATION DATE	APPROVALS ON FILE IN PLM
TITLE: 716078 MATERIAL: SEE PART NOTES		ASoulek	11/5/2018	
DESCRIPTION: MEDICAL OPEN SCROLL 15HP TRIPLEX WITH 240 GALLON TANK		DRAWING NUMBER: MST15A6	REVISION: B	SIZE: D



REVISION NOTES		
DESCRIPTION	ECN	PR/NOR
PRODUCTION RELEASE	PXECO169	N/A

MST15A6

MEDICAL OPEN SCROLL 15HP TRIPLEX WITH 240 GALLON TANK BASIC PANEL



- NOTES:
- APPROX SYSTEM WEIGHT: 4260 LB
 - 24" MINIMUM MAINTENANCE CLEARANCE RECOMMENDED ALL SIDES. CLEARANCE FOR CONTROL PANEL SHALL BE IN ACCORDANCE WITH OSHA/NEC REQUIREMENTS

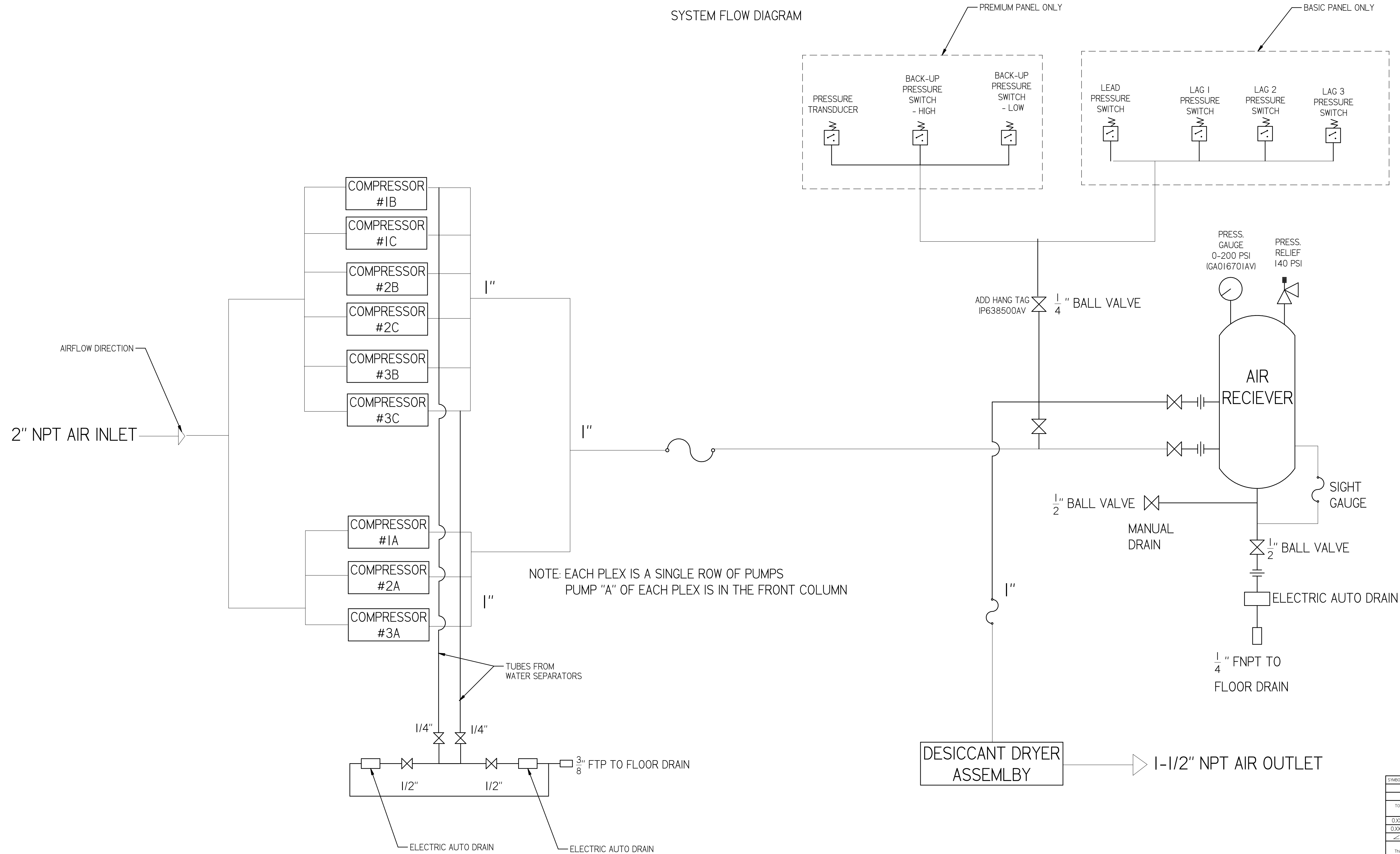
SYMBOL LEGEND		DRAWINGS TO CONFORM TO CURRENT REVISION OF THE FOLLOWING ANSI STANDARDS:		
TOLERANCES NOT SPECIFIED	SOLID EDGE DRAWING	1:4:3 MULTI AND SECTIONAL VIEW DIMS	1:4:3 DIMENSIONING AND TOLERANCING	
0.00X ± .01	DRAWING	DO NOT SCALE DRAWING FOR DIMENSIONS	SHEET 2 OF 5	
0.00X ± .005				SCALE
CONFIDENTIAL DISCLOSURE: This drawing is the property of POWEREX of the SCOTT FETTER COMPANY and is subject to return on demand. Its contents are confidential and must not be copied or submitted to outside parties for use or examination.		AUTHOR	ORIGINATION DATE	APPROVALS ON FILE IN PLM
716078		ASoulek	11/5/2018	
MATERIAL: SEE PART NOTES		<p>150 PRODUCTION DRIVE, HARRISON OH 45030 888-768-7079</p>		
DESCRIPTION: MEDICAL OPEN SCROLL 15HP TRIPLEX WITH 240 GALLON TANK				
DRAWING NUMBER: MST15A6		REVISION: B	SIZE: D	


MST15A6

MEDICAL OPEN SCROLL 15HP TRIPLEX WITH 240 GALLON TANK

SYSTEM FLOW DIAGRAM

REVISION NOTES		
DESCRIPTION	ECN	PR/NOR
PRODUCTION RELEASE	PXECO169	N/A

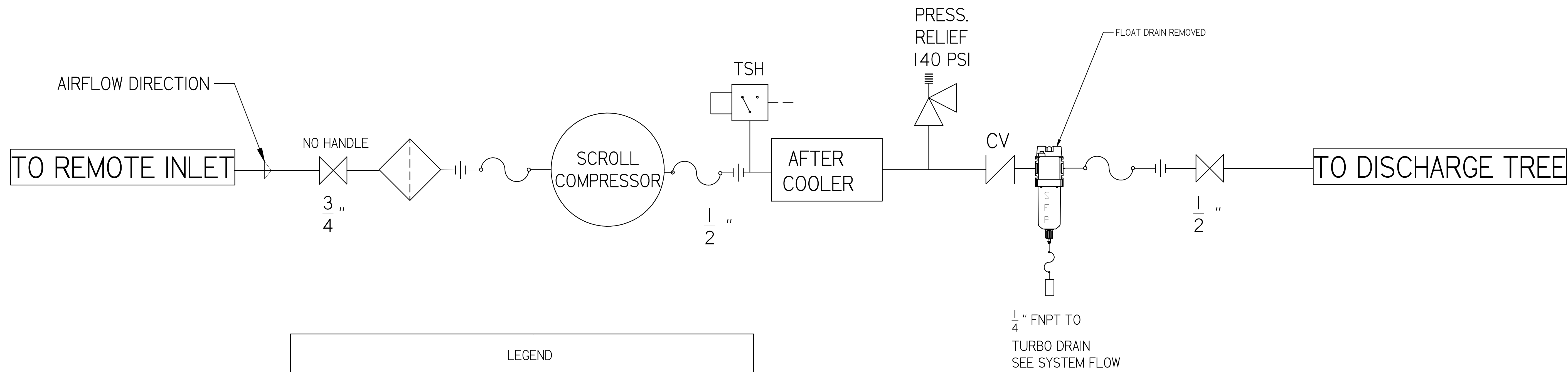


SYMBOL LEGEND		DRAWINGS TO CONFORM TO CURRENT REVISION OF THE FOLLOWING ANSI STANDARDS:	
TOLERANCES NOT SPECIFIED		Y14.3 MULTI-VIEW AND SECTIONAL VIEW DIMS	
0.001 ± .01	SOLID EDGE DRAWING	DO NOT SCALE DRAWING FOR DIMENSIONS	
0.005 ± .005		SHEET 3 OF 5	SCALE 1:1
± .5	INCH	APPROVALS ON FILE IN PLM	
<small>CONFIDENTIAL DISCLOSURE</small> This drawing is the property of POWEREX of the SCOTT FETTER COMPANY and is subject to return on demand. Its contents are confidential and must not be copied or submitted to outside parties for use or examination.		A Soulek	11/5/2018
ITEM NO:	716078		
MATERIAL:	SEE PART NOTES	<small>150 PRODUCTION DRIVE, HARRISON OH 45030</small> <small>888-768-7079</small>	
DESCRIPTION:	MEDICAL OPEN SCROLL 15HP TRIPLEX WITH 240 GALLON TANK	DRAWING NUMBER:	MST15A6
		REVISION:	B
		SIZE:	D

REVISION NOTES		
DESCRIPTION	ECN	PR/NOR
PRODUCTION RELEASE	PXECO169	N/A

MST15A6

MEDICAL OPEN SCROLL 15HP
TRIPLEX WITH 240 GALLON
TANK
MEDICAL COMPRESSOR
FLOW DIAGRAM



LEGEND	
	RELIEF VALVE
	INTAKE FILTER
	AIR FILTER
	3 WAY VALVE
	CARBON FILTER
	BALL VALVE
	PRESSURE SWITCH
	REGULATOR
	SEPARATOR
	CHECK VALVE
	FLEX LINE
	TSH HIGH TEMP SWITCH

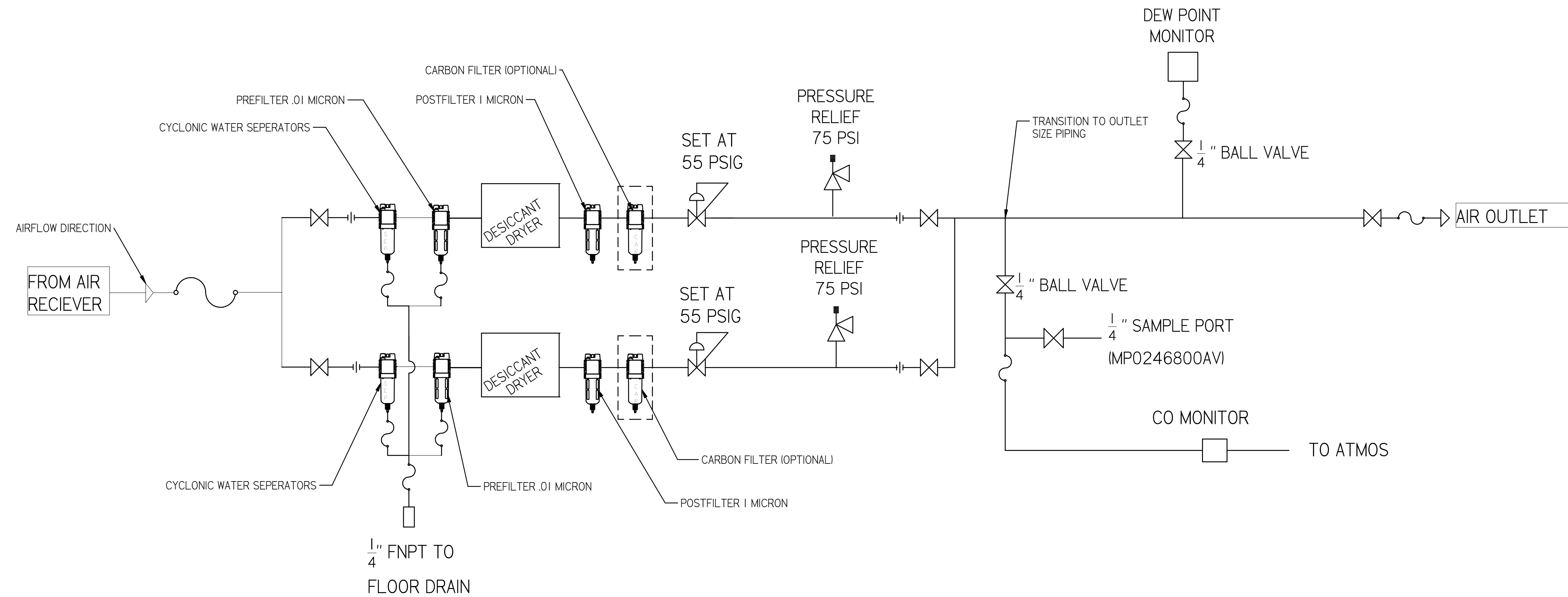
SYMBOL LEGEND		DRAWINGS TO CONFORM TO CURRENT REVISION OF THE FOLLOWING ANSI STANDARDS:	
TOLERANCES NOT SPECIFIED:		Y14.3 MULTI AND SECTIONAL VIEW DIMS	
0.XX ± .01	SOLID EDGE DRAWING	Y14.5 DIMENSIONING AND TOLERANCING	
0.XXX ± .005		DO NOT SCALE DRAWING FOR DIMENSIONS	
$\frac{1}{16}$ ± .005	INCH	SHEET 4 OF 5	SCALE 1:1
<small>CONFIDENTIAL DISCLOSURE</small> This drawing is the property of POWEREX of the SCOTT FETTER COMPANY and is subject to return on demand. Its contents are confidential and must not be copied or submitted to outside parties for use or examination.		AUTHOR	APPROVALS ON FILE IN PLM
DRAWER: 716078 MATERIAL: SEE PART NOTES		ASoulek	11/5/2018
DESCRIPTION: MEDICAL OPEN SCROLL 15HP TRIPLEX WITH 240 GALLON TANK		DRAWING NUMBER: MST15A6	REVISION: B
			SIZE: D



REVISION NOTES		
DESCRIPTION	ECN	PR/NOR
PRODUCTION RELEASE	PXECO169	N/A

MST15A6

MEDICAL OPEN SCROLL 15HP
TRIPLEX WITH 240 GALLON
TANK
MEDICAL DRYER
FLOW DIAGRAM



PUMP COUNT	DRYER PLUMBING SIZE	OUTLET PIPE SIZE
2	1/2"	1/2"
3	1/2"	1"
4	1/2"	1"
6	1"	1-1/2"
8	1"	1-1/2"
9	1"	1-1/2"
12	1-1/2"	2"
15	1-1/2"	2"
18	1-1/2"	2"

SYMBOL LEGEND		DRAWINGS TO CONFORM TO CURRENT REVISION OF THE FOLLOWING ANSI STANDARDS: Y14.3 MULTI AND SECTIONAL VIEW DWGS Y14.5 DIMENSIONING AND TOLERANCING	
TOLERANCES NOT SPECIFIED	SOLID EDGE DRAWING	DO NOT SCALE DRAWING FOR DIMENSIONS	
0.XXX ± .01		SHEET 5 OF 5	SCALE 1:1
0.XXX ± .005	APPROVALS ON FILE IN PLM		
± .5		INCH	A Soulek
<small>CONFIDENTIAL DISCLOSURE</small> This drawing is the property of POWEREX or the SCOTT FETTER COMPANY and is subject to return on demand. Its contents are confidential and must not be copied or submitted to outside parties for use or examination.			
ITEM NO: 716078 MATERIAL: SEE PART NOTES		DRAWING NUMBER: MST15A6	REVISION: B SIZE: D

