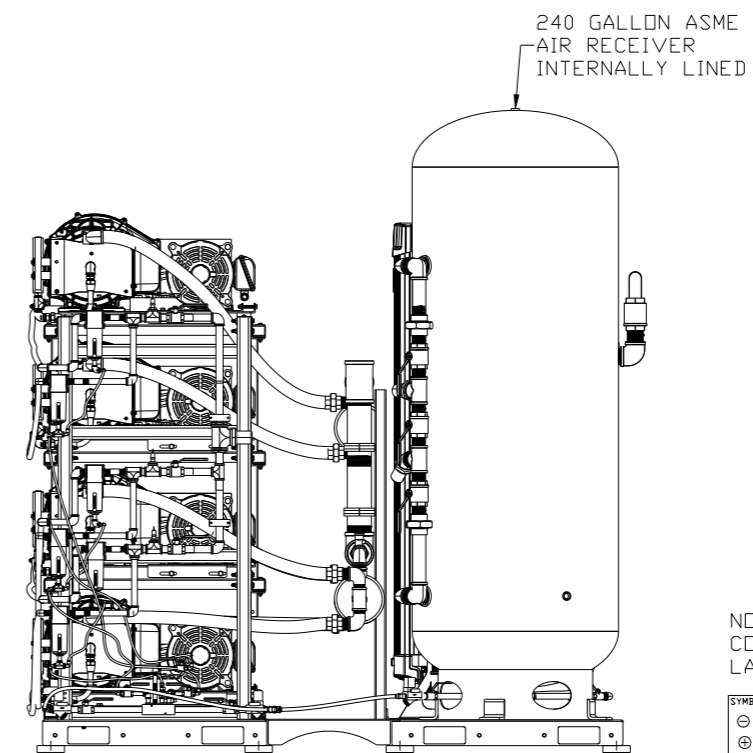
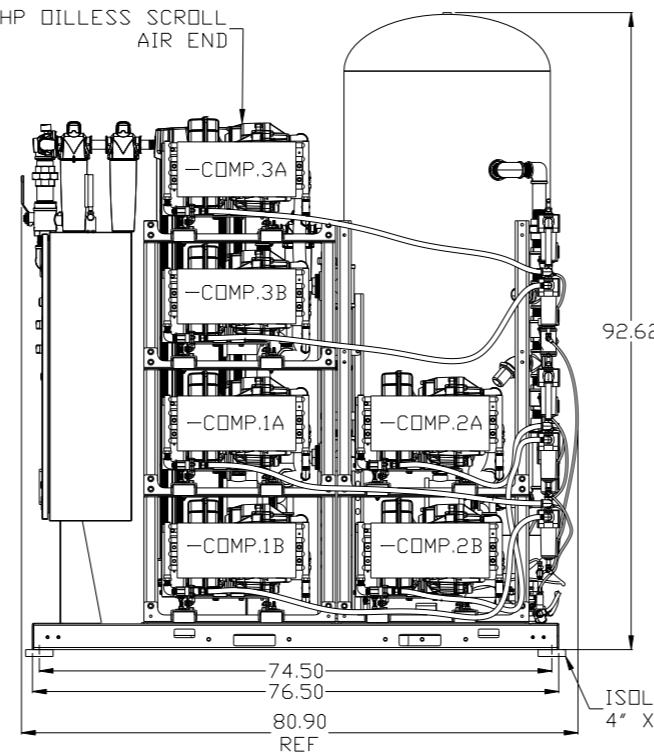
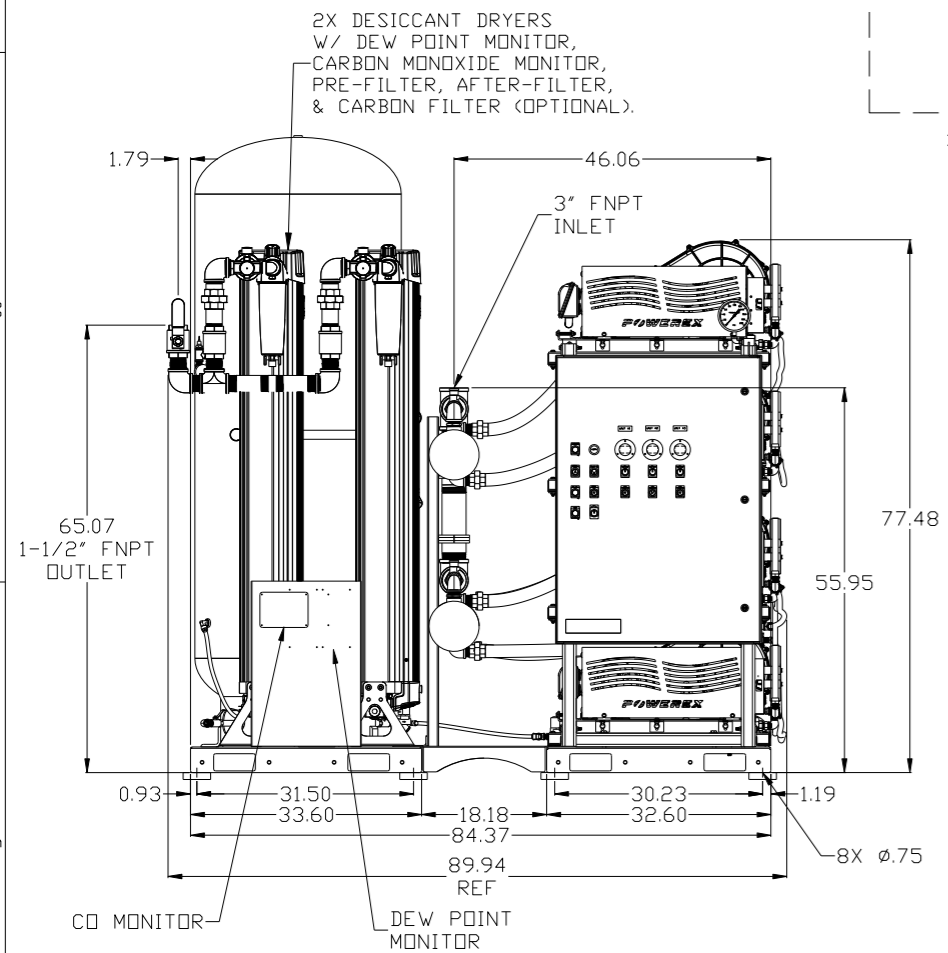
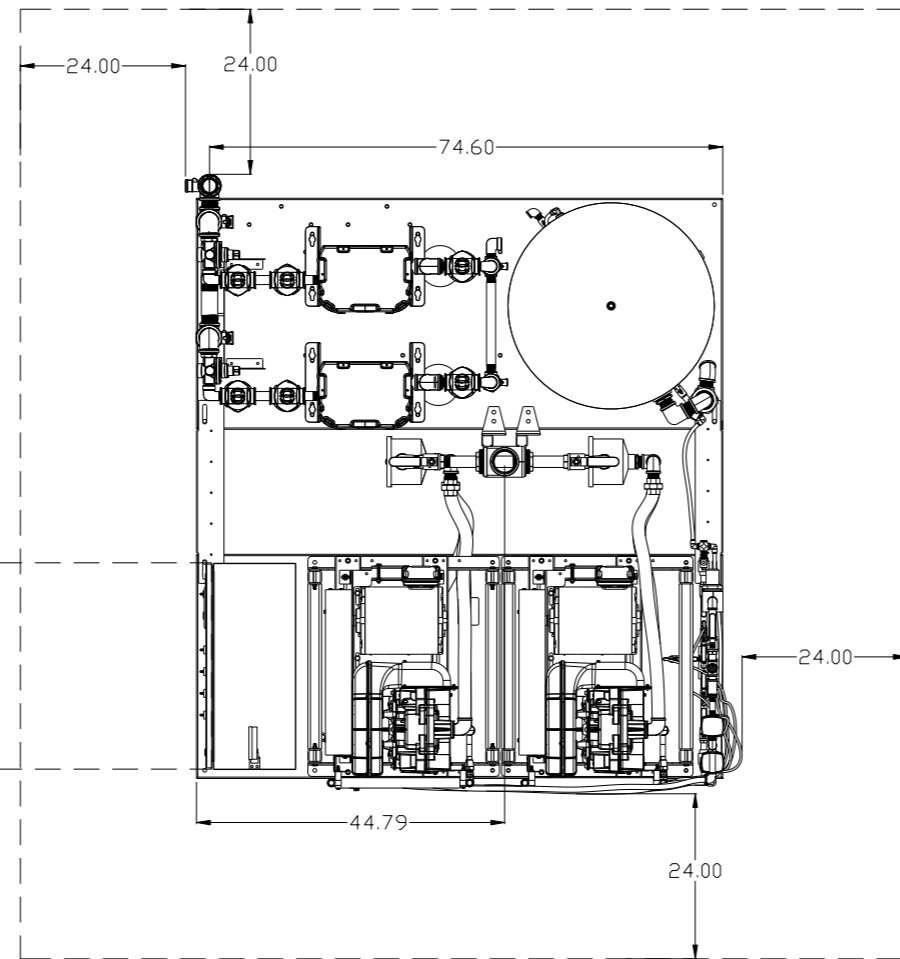


REV	ZONE	REVISION	DATE	ECN	NAME	CHKD
B-1	ALL	RELEASE TO PRODUCTION	2/23/15	PXEC0057	JBE	AEK
C-1	ALL	CORRECTED WAVE 1 ERRORS	1/7/16	PXEC0139	AEK	GES
D-1	2 ALL 1 ALL	UPDATED SEPARATOR DRAIN NOTES ADDED OUTLINE FOR RECOMMENDED CLEARANCES	01/21/17	PXEC0167	MJD	GES



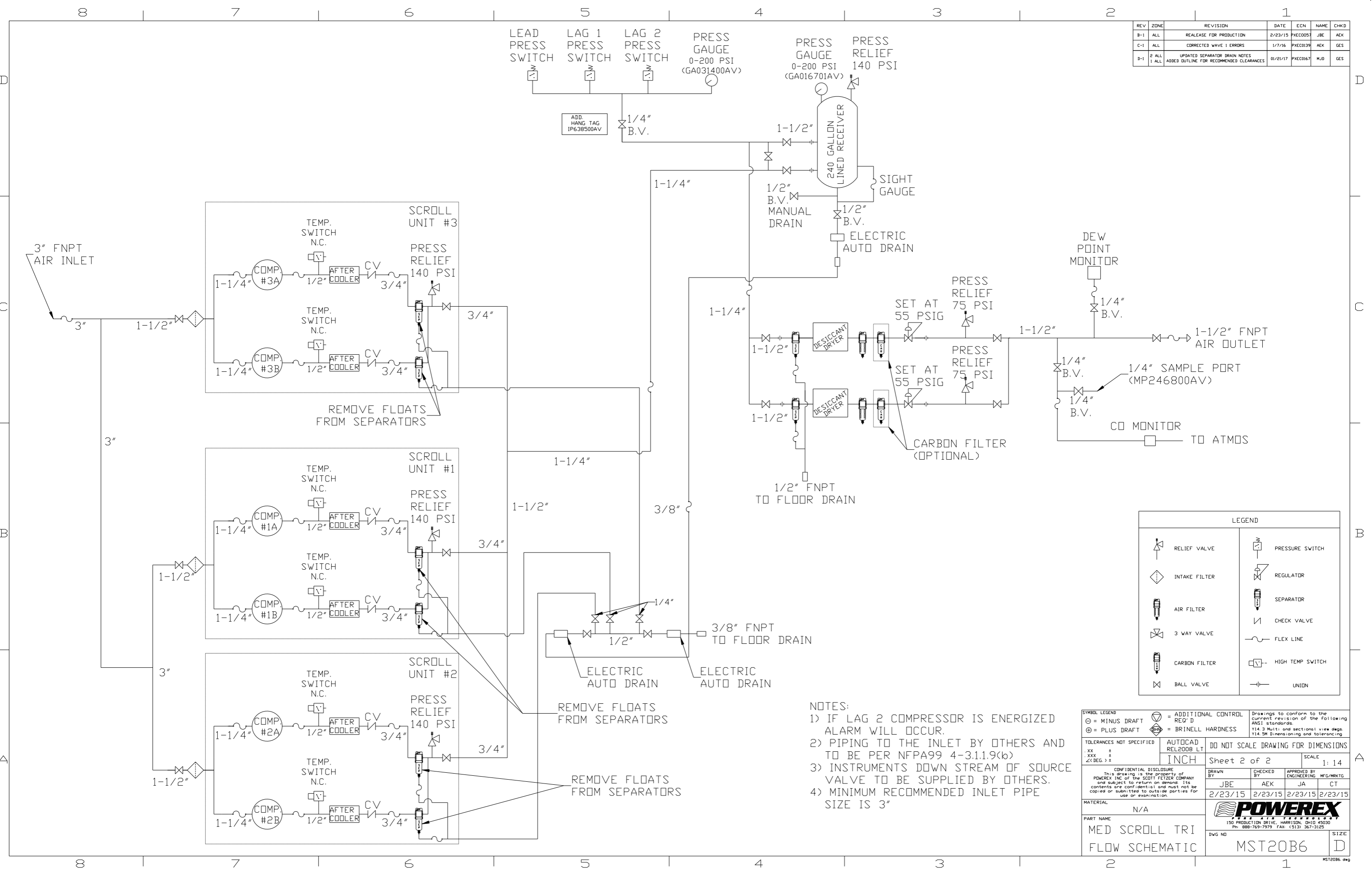
NOTE: SYSTEM DESIGNED IN COMPLIANCE WITH US NFPA'99, LATEST EDITION.

SYMBOL LEGEND		= ADDITIONAL CONTROL REQ'D		Drawings to conform to the current revision of the following ANSI standards:	
⊖	MINUS DRAFT	⊕	PLUS DRAFT	⊖	Y14.3 Multi and sectional view dsgs.
⊕	PLUS DRAFT	⊖	MINUS DRAFT	⊖	Y14.5M Dimensioning and tolerancing
⊖	MINUS DRAFT	⊕	PLUS DRAFT	⊖	Y14.7M Surface texture
⊕	PLUS DRAFT	⊖	MINUS DRAFT	⊖	Y14.8M Hole dimensioning and tolerancing
⊖	MINUS DRAFT	⊕	PLUS DRAFT	⊖	Y14.9M Hole position tolerancing
⊕	PLUS DRAFT	⊖	MINUS DRAFT	⊖	Y14.10M Hole circular runout
⊖	MINUS DRAFT	⊕	PLUS DRAFT	⊖	Y14.11M Hole circular form
⊕	PLUS DRAFT	⊖	MINUS DRAFT	⊖	Y14.12M Hole circular position
⊖	MINUS DRAFT	⊕	PLUS DRAFT	⊖	Y14.13M Hole circular profile
⊕	PLUS DRAFT	⊖	MINUS DRAFT	⊖	Y14.14M Hole circular feature control
⊖	MINUS DRAFT	⊕	PLUS DRAFT	⊖	Y14.15M Hole circular feature control
⊕	PLUS DRAFT	⊖	MINUS DRAFT	⊖	Y14.16M Hole circular feature control
⊖	MINUS DRAFT	⊕	PLUS DRAFT	⊖	Y14.17M Hole circular feature control
⊕	PLUS DRAFT	⊖	MINUS DRAFT	⊖	Y14.18M Hole circular feature control
⊖	MINUS DRAFT	⊕	PLUS DRAFT	⊖	Y14.19M Hole circular feature control
⊕	PLUS DRAFT	⊖	MINUS DRAFT	⊖	Y14.20M Hole circular feature control
⊖	MINUS DRAFT	⊕	PLUS DRAFT	⊖	Y14.21M Hole circular feature control
⊕	PLUS DRAFT	⊖	MINUS DRAFT	⊖	Y14.22M Hole circular feature control
⊖	MINUS DRAFT	⊕	PLUS DRAFT	⊖	Y14.23M Hole circular feature control
⊕	PLUS DRAFT	⊖	MINUS DRAFT	⊖	Y14.24M Hole circular feature control
⊖	MINUS DRAFT	⊕	PLUS DRAFT	⊖	Y14.25M Hole circular feature control
⊕	PLUS DRAFT	⊖	MINUS DRAFT	⊖	Y14.26M Hole circular feature control
⊖	MINUS DRAFT	⊕	PLUS DRAFT	⊖	Y14.27M Hole circular feature control
⊕	PLUS DRAFT	⊖	MINUS DRAFT	⊖	Y14.28M Hole circular feature control
⊖	MINUS DRAFT	⊕	PLUS DRAFT	⊖	Y14.29M Hole circular feature control
⊕	PLUS DRAFT	⊖	MINUS DRAFT	⊖	Y14.30M Hole circular feature control
⊖	MINUS DRAFT	⊕	PLUS DRAFT	⊖	Y14.31M Hole circular feature control
⊕	PLUS DRAFT	⊖	MINUS DRAFT	⊖	Y14.32M Hole circular feature control
⊖	MINUS DRAFT	⊕	PLUS DRAFT	⊖	Y14.33M Hole circular feature control
⊕	PLUS DRAFT	⊖	MINUS DRAFT	⊖	Y14.34M Hole circular feature control
⊖	MINUS DRAFT	⊕	PLUS DRAFT	⊖	Y14.35M Hole circular feature control
⊕	PLUS DRAFT	⊖	MINUS DRAFT	⊖	Y14.36M Hole circular feature control
⊖	MINUS DRAFT	⊕	PLUS DRAFT	⊖	Y14.37M Hole circular feature control
⊕	PLUS DRAFT	⊖	MINUS DRAFT	⊖	Y14.38M Hole circular feature control
⊖	MINUS DRAFT	⊕	PLUS DRAFT	⊖	Y14.39M Hole circular feature control
⊕	PLUS DRAFT	⊖	MINUS DRAFT	⊖	Y14.40M Hole circular feature control
⊖	MINUS DRAFT	⊕	PLUS DRAFT	⊖	Y14.41M Hole circular feature control
⊕	PLUS DRAFT	⊖	MINUS DRAFT	⊖	Y14.42M Hole circular feature control
⊖	MINUS DRAFT	⊕	PLUS DRAFT	⊖	Y14.43M Hole circular feature control
⊕	PLUS DRAFT	⊖	MINUS DRAFT	⊖	Y14.44M Hole circular feature control
⊖	MINUS DRAFT	⊕	PLUS DRAFT	⊖	Y14.45M Hole circular feature control
⊕	PLUS DRAFT	⊖	MINUS DRAFT	⊖	Y14.46M Hole circular feature control
⊖	MINUS DRAFT	⊕	PLUS DRAFT	⊖	Y14.47M Hole circular feature control
⊕	PLUS DRAFT	⊖	MINUS DRAFT	⊖	Y14.48M Hole circular feature control
⊖	MINUS DRAFT	⊕	PLUS DRAFT	⊖	Y14.49M Hole circular feature control
⊕	PLUS DRAFT	⊖	MINUS DRAFT	⊖	Y14.50M Hole circular feature control
⊖	MINUS DRAFT	⊕	PLUS DRAFT	⊖	Y14.51M Hole circular feature control
⊕	PLUS DRAFT	⊖	MINUS DRAFT	⊖	Y14.52M Hole circular feature control
⊖	MINUS DRAFT	⊕	PLUS DRAFT	⊖	Y14.53M Hole circular feature control
⊕	PLUS DRAFT	⊖	MINUS DRAFT	⊖	Y14.54M Hole circular feature control
⊖	MINUS DRAFT	⊕	PLUS DRAFT	⊖	Y14.55M Hole circular feature control
⊕	PLUS DRAFT	⊖	MINUS DRAFT	⊖	Y14.56M Hole circular feature control
⊖	MINUS DRAFT	⊕	PLUS DRAFT	⊖	Y14.57M Hole circular feature control
⊕	PLUS DRAFT	⊖	MINUS DRAFT	⊖	Y14.58M Hole circular feature control
⊖	MINUS DRAFT	⊕	PLUS DRAFT	⊖	Y14.59M Hole circular feature control
⊕	PLUS DRAFT	⊖	MINUS DRAFT	⊖	Y14.60M Hole circular feature control
⊖	MINUS DRAFT	⊕	PLUS DRAFT	⊖	Y14.61M Hole circular feature control
⊕	PLUS DRAFT	⊖	MINUS DRAFT	⊖	Y14.62M Hole circular feature control
⊖	MINUS DRAFT	⊕	PLUS DRAFT	⊖	Y14.63M Hole circular feature control
⊕	PLUS DRAFT	⊖	MINUS DRAFT	⊖	Y14.64M Hole circular feature control
⊖	MINUS DRAFT	⊕	PLUS DRAFT	⊖	Y14.65M Hole circular feature control
⊕	PLUS DRAFT	⊖	MINUS DRAFT	⊖	Y14.66M Hole circular feature control
⊖	MINUS DRAFT	⊕	PLUS DRAFT	⊖	Y14.67M Hole circular feature control
⊕	PLUS DRAFT	⊖	MINUS DRAFT	⊖	Y14.68M Hole circular feature control
⊖	MINUS DRAFT	⊕	PLUS DRAFT	⊖	Y14.69M Hole circular feature control
⊕	PLUS DRAFT	⊖	MINUS DRAFT	⊖	Y14.70M Hole circular feature control
⊖	MINUS DRAFT	⊕	PLUS DRAFT	⊖	Y14.71M Hole circular feature control
⊕	PLUS DRAFT	⊖	MINUS DRAFT	⊖	Y14.72M Hole circular feature control
⊖	MINUS DRAFT	⊕	PLUS DRAFT	⊖	Y14.73M Hole circular feature control
⊕	PLUS DRAFT	⊖	MINUS DRAFT	⊖	Y14.74M Hole circular feature control
⊖	MINUS DRAFT	⊕	PLUS DRAFT	⊖	Y14.75M Hole circular feature control
⊕	PLUS DRAFT	⊖	MINUS DRAFT	⊖	Y14.76M Hole circular feature control
⊖	MINUS DRAFT	⊕	PLUS DRAFT	⊖	Y14.77M Hole circular feature control
⊕	PLUS DRAFT	⊖	MINUS DRAFT	⊖	Y14.78M Hole circular feature control
⊖	MINUS DRAFT	⊕	PLUS DRAFT	⊖	Y14.79M Hole circular feature control
⊕	PLUS DRAFT	⊖	MINUS DRAFT	⊖	Y14.80M Hole circular feature control
⊖	MINUS DRAFT	⊕	PLUS DRAFT	⊖	Y14.81M Hole circular feature control
⊕	PLUS DRAFT	⊖	MINUS DRAFT	⊖	Y14.82M Hole circular feature control
⊖	MINUS DRAFT	⊕	PLUS DRAFT	⊖	Y14.83M Hole circular feature control
⊕	PLUS DRAFT	⊖	MINUS DRAFT	⊖	Y14.84M Hole circular feature control
⊖	MINUS DRAFT	⊕	PLUS DRAFT	⊖	Y14.85M Hole circular feature control
⊕	PLUS DRAFT	⊖	MINUS DRAFT	⊖	Y14.86M Hole circular feature control
⊖	MINUS DRAFT	⊕	PLUS DRAFT	⊖	Y14.87M Hole circular feature control
⊕	PLUS DRAFT	⊖	MINUS DRAFT	⊖	Y14.88M Hole circular feature control
⊖	MINUS DRAFT	⊕	PLUS DRAFT	⊖	Y14.89M Hole circular feature control
⊕	PLUS DRAFT	⊖	MINUS DRAFT	⊖	Y14.90M Hole circular feature control
⊖	MINUS DRAFT	⊕	PLUS DRAFT	⊖	Y14.91M Hole circular feature control
⊕	PLUS DRAFT	⊖	MINUS DRAFT	⊖	Y14.92M Hole circular feature control
⊖	MINUS DRAFT	⊕	PLUS DRAFT	⊖	Y14.93M Hole circular feature control
⊕	PLUS DRAFT	⊖	MINUS DRAFT	⊖	Y14.94M Hole circular feature control
⊖	MINUS DRAFT	⊕	PLUS DRAFT	⊖	Y14.95M Hole circular feature control
⊕	PLUS DRAFT	⊖	MINUS DRAFT	⊖	Y14.96M Hole circular feature control
⊖	MINUS DRAFT	⊕	PLUS DRAFT	⊖	Y14.97M Hole circular feature control
⊕	PLUS DRAFT	⊖	MINUS DRAFT	⊖	Y14.98M Hole circular feature control
⊖	MINUS DRAFT	⊕	PLUS DRAFT	⊖	Y14.99M Hole circular feature control
⊕	PLUS DRAFT	⊖	MINUS DRAFT	⊖	Y14.100M Hole circular feature control

POWEREX
 150 PRODUCTION DRIVE, HARRISON, OHIO 45030
 Ph 888-769-7979 FAX (513) 367-3125

DWG NO: MST20B6 SIZE: D

REV	ZONE	REVISION	DATE	ECN	NAME	CHKD
B-1	ALL	RELEASE FOR PRODUCTION	2/23/15	PXEC005	JBE	AEK
C-1	ALL	CORRECTED WAVE 1 ERRORS	1/7/16	PXEC0139	AEK	GES
D-1	2 ALL 1 ALL	UPDATED SEPARATOR DRAIN NOTES ADDED OUTLINE FOR RECOMMENDED CLEARANCES	01/21/17	PXEC0167	MJD	GES



- NOTES:
- 1) IF LAG 2 COMPRESSOR IS ENERGIZED ALARM WILL OCCUR.
 - 2) PIPING TO THE INLET BY OTHERS AND TO BE PER NFPA99 4-3.1.1.9(b)
 - 3) INSTRUMENTS DOWN STREAM OF SOURCE VALVE TO BE SUPPLIED BY OTHERS.
 - 4) MINIMUM RECOMMENDED INLET PIPE SIZE IS 3"

	RELIEF VALVE		PRESSURE SWITCH
	INTAKE FILTER		REGULATOR
	AIR FILTER		SEPARATOR
	3 WAY VALVE		CHECK VALVE
	CARBON FILTER		FLEX LINE
	BALL VALVE		HIGH TEMP SWITCH
			UNION

SYMBOL LEGEND		= ADDITIONAL CONTROL REQ'D		Drawings to conform to the current revision of the following ANSI standards	
⊖	MINUS DRAFT		BRINELL HARDNESS	Y14.3	Multi and sectional view dsgs.
⊕	PLUS DRAFT			Y14.3M	Dimensioning and tolerancing
TOLERANCES NOT SPECIFIED		AUTOCAD REL2008 LT		DO NOT SCALE DRAWING FOR DIMENSIONS	
.XX ±		INCH		Sheet 2 of 2	SCALE 1:14
.XXX ±					
<<DEG>> ±					
CONFIDENTIAL DISCLOSURE					
This drawing is the property of POWEREX, INC. of the SCOTT FETZER COMPANY and subject to return on demand. Its contents are confidential and must not be copied or submitted to outside parties for use or examination.					
DRAWN BY		CHECKED BY		APPROVED BY	
JBE		AEK		JA CT	
2/23/15		2/23/15		2/23/15 2/23/15	
MATERIAL		N/A			
PART NAME		MED SCROLL TRI		SIZE	
FLOW SCHEMATIC		MST20B6		D	

MST20B6.dwg

REV	ZONE	REVISION	DATE	ECN	NAME	CHKD
B-1	ALL	RELEASE TO PRODUCTION	2/23/15	PXEC0057	JBE	AEK
C-1	ALL	CORRECTED WAVE 1 ERRORS	1/7/16	PXEC0139	AEK	GES
2	ALL	UPDATED SEPARATOR DRAIN NOTES	01/21/17	PXEC0167	MJD	GES
1	ALL	ADDED OUTLINE FOR RECOMMENDED CLEARANCES				

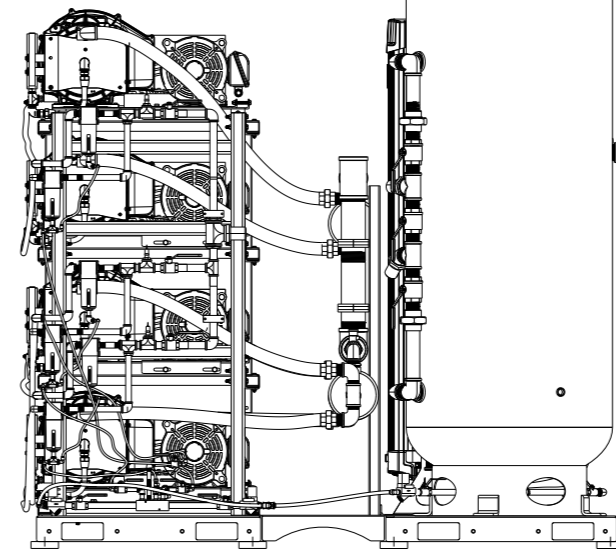
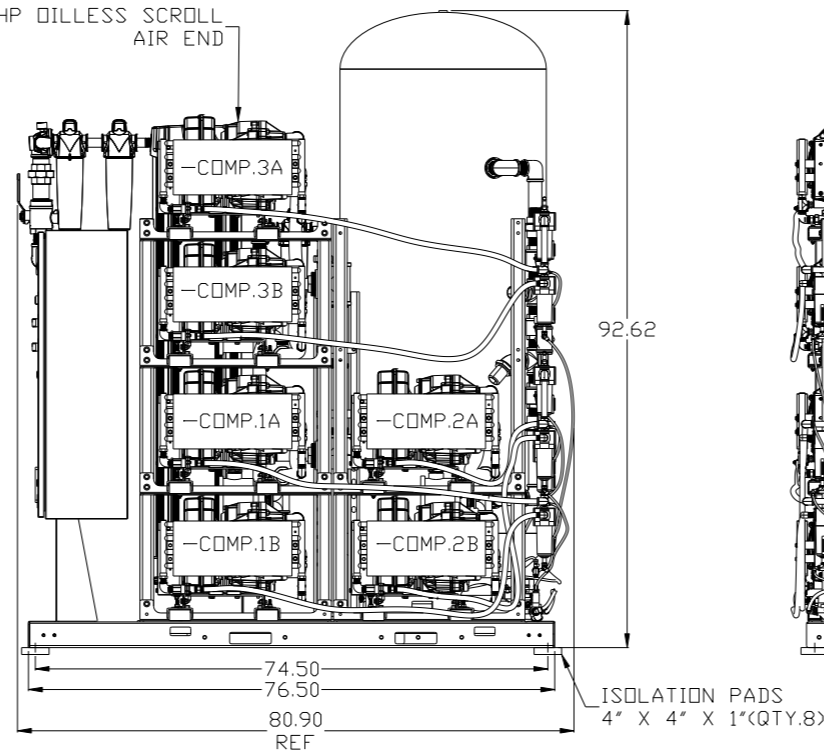
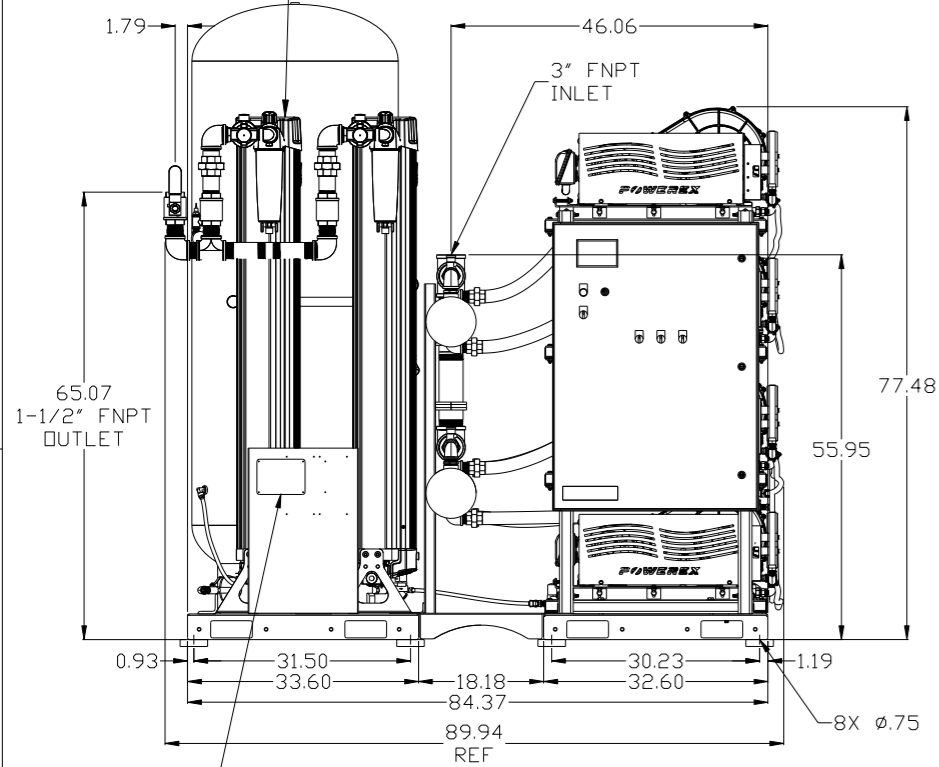
MINIMUM RECOMMENDED ELECTRICAL PANEL CLEARANCE PER OSHA/NEC REQUIREMENTS

MINIMUM RECOMMENDED MAINTENANCE CLEARANCE

2X DESICCANT DRYER W/ CARBON MONOXIDE MONITOR, PRE-FILTER, AFTER-FILTER, & CARBON FILTER (OPTIONAL).

240 GALLON ASME AIR RECEIVER INTERNALLY LINED

3X 20HP OILLESS SCROLL AIR END



NOTE: SYSTEM DESIGNED IN COMPLIANCE WITH US NFPA'99, LATEST EDITION.

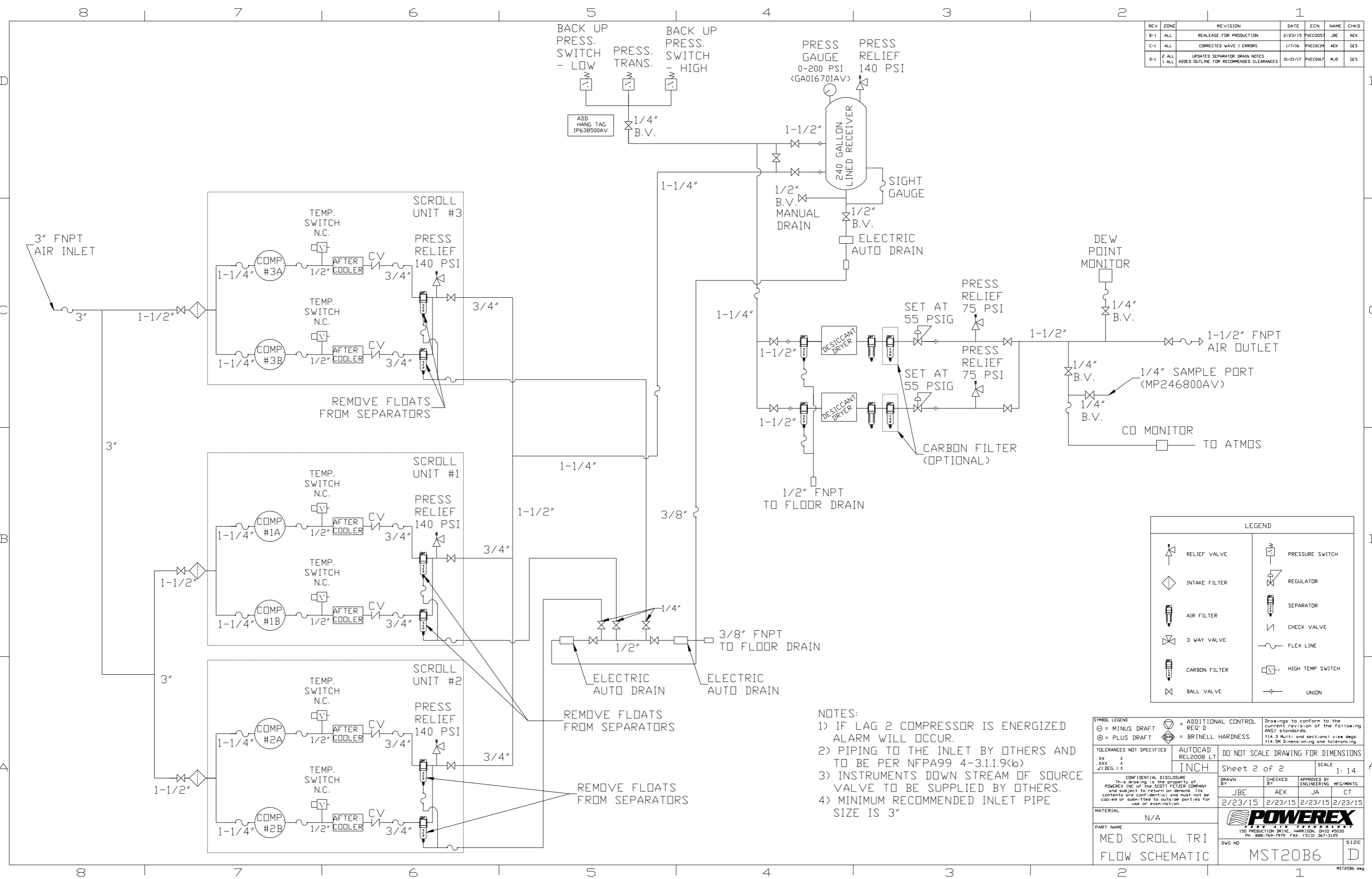
SYMBOL LEGEND	⊖ = MINUS DRAFT	⊕ = PLUS DRAFT	⊕ = ADDITIONAL CONTROL REQ'D	⊕ = BRINELL HARDNESS	Drawings to conform to the current revision of the following ANSI standards: Y14.3 Multi and sectional view dsgs. Y14.5M Dimensioning and tolerancing
---------------	-----------------	----------------	------------------------------	----------------------	---

TOLERANCES NOT SPECIFIED	AUTOCAD REL2008 LT	DO NOT SCALE DRAWING FOR DIMENSIONS
.XX ±	INCH	Sheet 1 of 2
.XXX ±		SCALE 1:14
<DEG> ±		

CONFIDENTIAL DISCLOSURE This drawing is the property of POWEREX, INC. of the SCOTT FELTZER COMPANY and subject to return on demand. Its contents are confidential and must not be copied or submitted to outside parties for use or examination.	DRAWN BY JBE	CHECKED BY AEK	APPROVED BY ENGINEERING JA	MFG/MKTG CT
	2/23/15	2/23/15	2/23/15	2/23/15

MATERIAL N/A	 150 PRODUCTION DRIVE, HARRISON, OHIO 45030 Ph 888-769-7979 FAX (513) 367-3125	DWG NO MST20B6	SIZE D
PART NAME 20HP 240 GAL MED PXMI TRI SCROLL			

REV	ZONE	REVISION	DATE	ECN	NAME	CHKD
B-1	ALL	RELEASE FOR PRODUCTION	2/23/15	PXEC0057	JBE	AEK
C-1	ALL	CORRECTED WAVE 1 ERRORS	1/7/16	PXEC0139	AEK	GES
D-1	2 ALL	UPDATED SEPARATOR DRAIN NOTES	01/21/17	PXEC0167	MJD	GES
	1 ALL	ADDED OUTLINE FOR RECOMMENDED CLEARANCES				



LEGEND	
	RELIEF VALVE
	INTAKE FILTER
	AIR FILTER
	3 WAY VALVE
	CARBON FILTER
	BALL VALVE
	PRESSURE SWITCH
	REGULATOR
	SEPARATOR
	CHECK VALVE
	FLEX LINE
	HIGH TEMP SWITCH
	UNION

- NOTES:
- 1) IF LAG 2 COMPRESSOR IS ENERGIZED ALARM WILL OCCUR.
 - 2) PIPING TO THE INLET BY OTHERS AND TO BE PER NFPA99 4-3.1.1.9(b)
 - 3) INSTRUMENTS DOWN STREAM OF SOURCE VALVE TO BE SUPPLIED BY OTHERS.
 - 4) MINIMUM RECOMMENDED INLET PIPE SIZE IS 3"

SYMBOL LEGEND			ADDITIONAL CONTROL REQ'D	Drawings to conform to the current revision of the following ANSI standards	
	MINUS DRAFT		BRINELL HARDNESS	Y14.3 Multi and sectional view dsgs. Y14.3M Dimensioning and tolerancing	
TOLERANCES NOT SPECIFIED		AUTOCAD	REL2008 LT	DO NOT SCALE DRAWING FOR DIMENSIONS	
.XX ±		INCH		Sheet 2 of 2	SCALE 1:14
.XXX ±					
<<DEG>> ±					
CONFIDENTIAL DISCLOSURE					
This drawing is the property of POWEREX, INC. of the SCOTT FETZER COMPANY and subject to return on demand. Its contents are confidential and must not be copied or submitted to outside parties for use or examination.					
DRAWN BY		CHECKED BY	APPROVED BY	ENGINEERING MFG/MKTG	
JBE		AEK	JA	CT	
2/23/15		2/23/15	2/23/15	2/23/15	
MATERIAL		N/A			
PART NAME		MED SCROLL TRI		DWG NO	
FLOW SCHEMATIC				MST20B6	
				SIZE D	