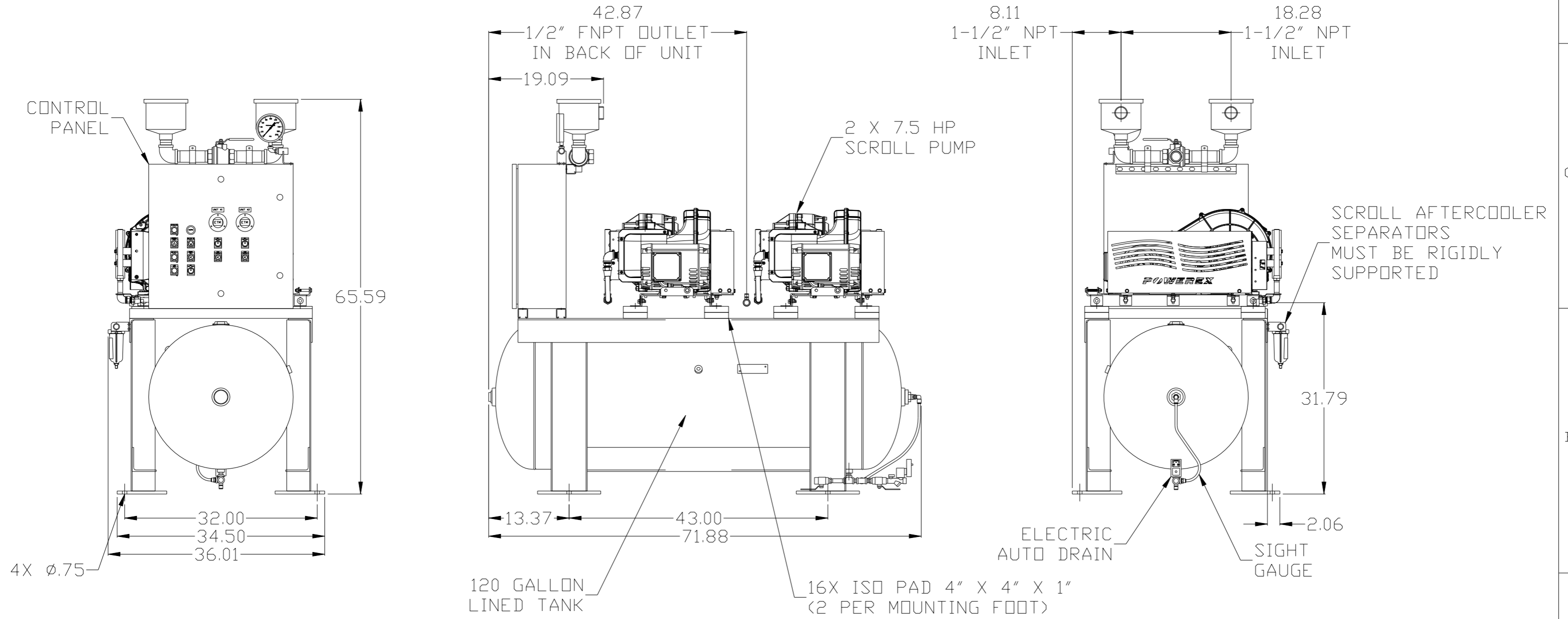


REV	ZONE	REVISION	DATE	ECN	NAME	CHKD
B-1	ALL	RELEASE TO PRODUCTION	10/6/14	PXEC0057	AEK	GES
C-1	2 CS	ADDED FLEX FROM CV TO SEP	4/8/15	PXEC0093	AEK	GES
D-1	1 ALL	ADDED ISO PADS UNDER PUMP MOUNTING FEET	8/17/15	PXEC0093	AEK	GES
E-1	ALL	ADDED GAUGE TO BASIG PANEL & LINED TANKS	12/14/17	PXEC0187	GES	DMS



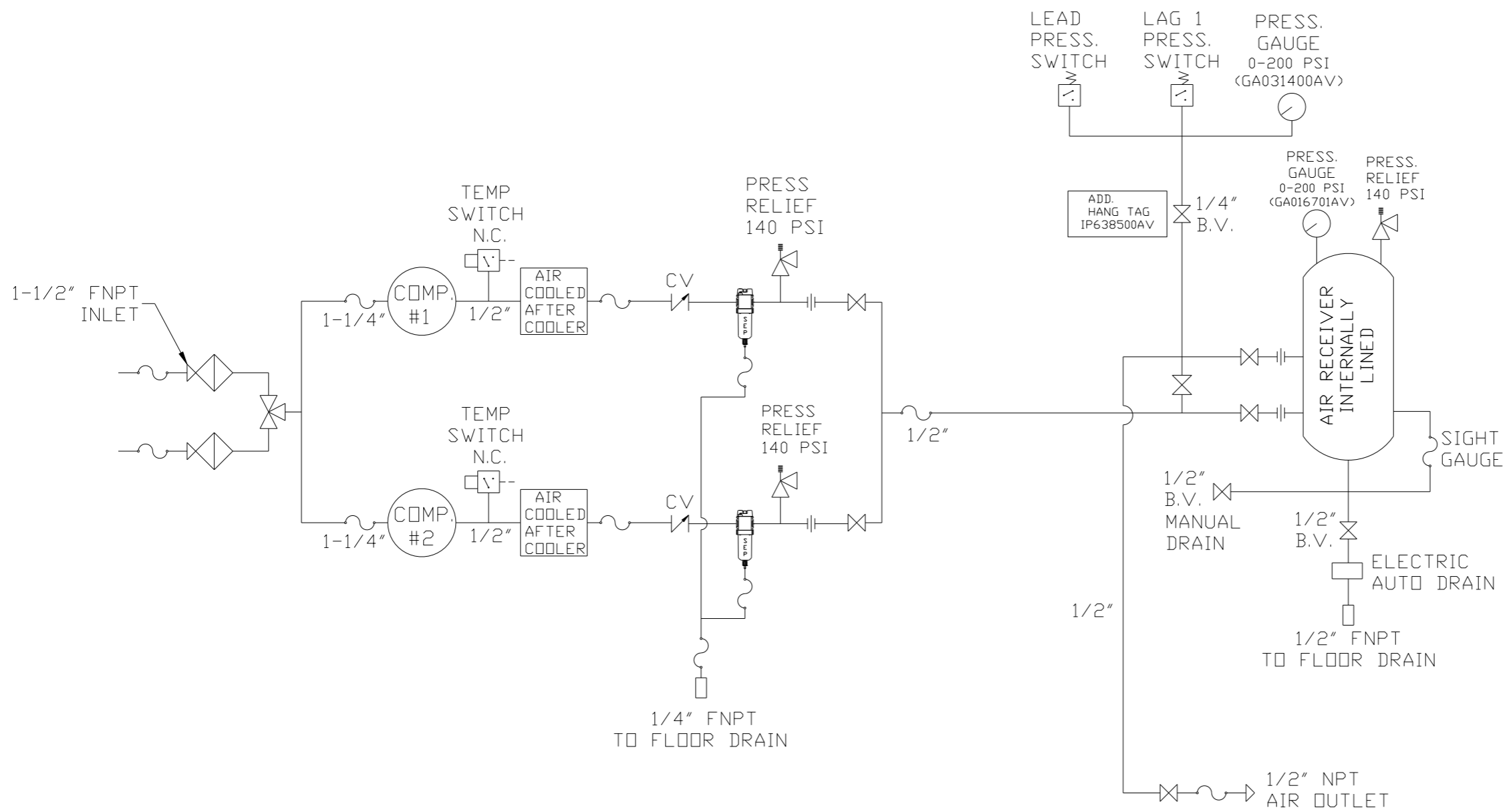
NOTE: SYSTEM DESIGNED IN COMPLIANCE WITH U.S. NFPA '99, LATEST EDITION.

NOTE: A MINIMUM OF 24" CLEARANCE IS RECOMMENDED AROUND THE ENTIRE UNIT.

NOTE: TANK BYPASS PLUMBING NOT SHOWN FOR DRAWING CLARITY.

SYMBOL LEGEND ⊖ = MINUS DRAFT ⊕ = PLUS DRAFT TOLERANCES NOT SPECIFIED: .XX ± .XXX ± <DEG> ±		⊕ = ADDITIONAL CONTROL REQ'D HRC = BRINELL HARDNESS	Drawings to conform to the current revision of the following ANSI standards: Y14.3 Multi and sectional view dgs. Y14.5M Dimensioning and tolerancing
AUTOCAD REL2014 LT INCH		DO NOT SCALE DRAWING FOR DIMENSIONS Sheet 1 of 2 SCALE 1:8	
CONFIDENTIAL DISCLOSURE This drawing is the property of POWEREX, INC. of the SCOTT FETZER COMPANY and subject to return on demand. Its contents are confidential and must not be copied or submitted to outside parties for use or examination.			
DRAWN BY AEK	CHECKED BY GES	APPROVED BY DMS	MFG/MKTG RJR
MATERIAL N/A		POWEREX 150 PRODUCTION DRIVE, HARRISON, OHIO 45030 Ph: 888-769-7979 FAX: (513) 367-3125	
PART NAME 7.5HP SCROLL DUPLEX 120 GALLON MEDICAL TANK MOUNT		DWG NO MTSD0754X2	SIZE D

REV	ZONE	REVISION	DATE	ECN	NAME	CHKD
B-1	ALL	RELEASE TO PRODUCTION	10/6/14	PXEC0057	AEK	GES
C-1	2 CS	ADDED FLEX FROM CV TO SEP	4/8/15	PXEC0093	AEK	GES
D-1	1 ALL	ADDED ISD PADS UNDER PUMP MOUNTING FEET	8/17/15	PXEC0093	AEK	GES
E-1	ALL	ADDED GAUGE TO BASIG PANEL & LINED TANKS	12/14/17	PXEC0187	GES	DMS

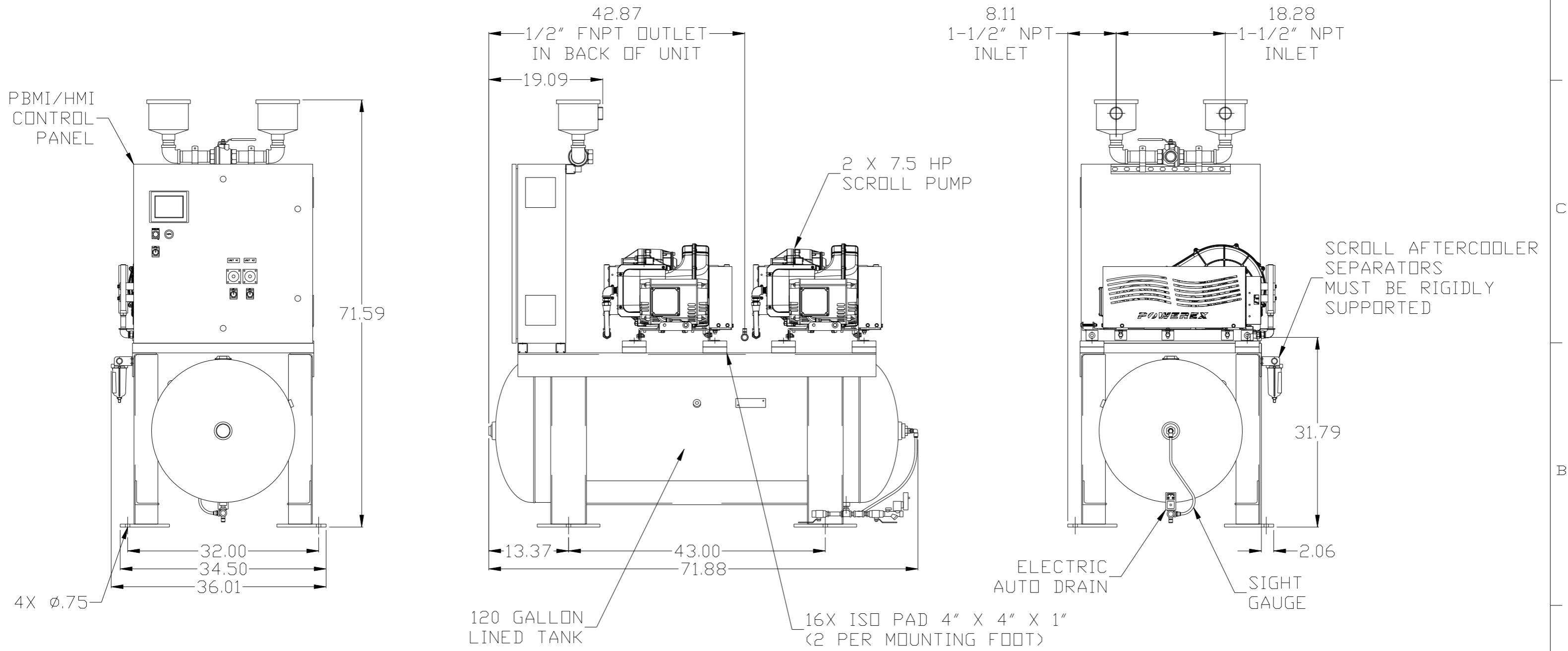


LEGEND	
	RELIEF VALVE
	INTAKE FILTER
	3 WAY VALVE
	BALL VALVE
	UNION
	PRESSURE SWITCH
	SEPARATOR
	CHECK VALVE
	FLEX LINE
	HIGH TEMP SWITCH

- NOTES:
- 1) IF LAG 1 COMPRESSOR IS ENERGIZED ALARM WILL OCCUR.
 - 2) PIPING TO THE INLET BY OTHERS AND TO BE PER NFPA99 4-3.1.1.9(b)
 - 3) INSTRUMENTS DOWN STREAM OF SOURCE VALVE TO BE SUPPLIED BY OTHERS.

SYMBOL LEGEND		AUTOCAD REL2014 LT		DO NOT SCALE DRAWING FOR DIMENSIONS	
	MINUS DRAFT		BRINELL HARDNESS	Drawings to conform to the current revision of the following ANSI standards: Y14.3 Multi and sectional view dgs. Y14.5M Dimensioning and tolerancing	
	PLUS DRAFT	INCH		Sheet 2 of 2	SCALE 1:8
<small>CONFIDENTIAL DISCLOSURE</small> This drawing is the property of POWEREX, INC. or the SCOTT FETZER COMPANY and subject to return on demand. Its contents are confidential and must not be copied or submitted to outside parties for use or examination.		DRAWN BY	CHECKED BY	APPROVED BY	MFG/MKTG
		AEK	GES	DMS	RJR
MATERIAL		10/6/14	10/6/14	10/6/14	10/6/14
PART NAME		 150 PRODUCTION DRIVE, HARRISON, OHIO 45030 Ph: 888-769-7979 FAX: (513) 367-3125		SIZE	
SCROLL DUPLEX MEDICAL TANK MOUNT FLOW SCHEMATIC		DWG NO MTSD0754X2		D	

REV	ZONE	REVISION	DATE	ECN	NAME	CHKD
B-1	ALL	RELEASE TO PRODUCTION	10/6/14	PXEC0057	AEK	GES
C-1	2 CS	ADDED FLEX FROM CV TO SEP	4/8/15	PXEC0093	AEK	GES
D-1	1 ALL	ADDED ISO PADS UNDER PUMP MOUNTING FEET	8/17/15	PXEC0093	AEK	GES
E-1	ALL	ADDED GAUGE TO BASIG PANEL & LINED TANKS	12/14/17	PXEC0187	GES	DMS



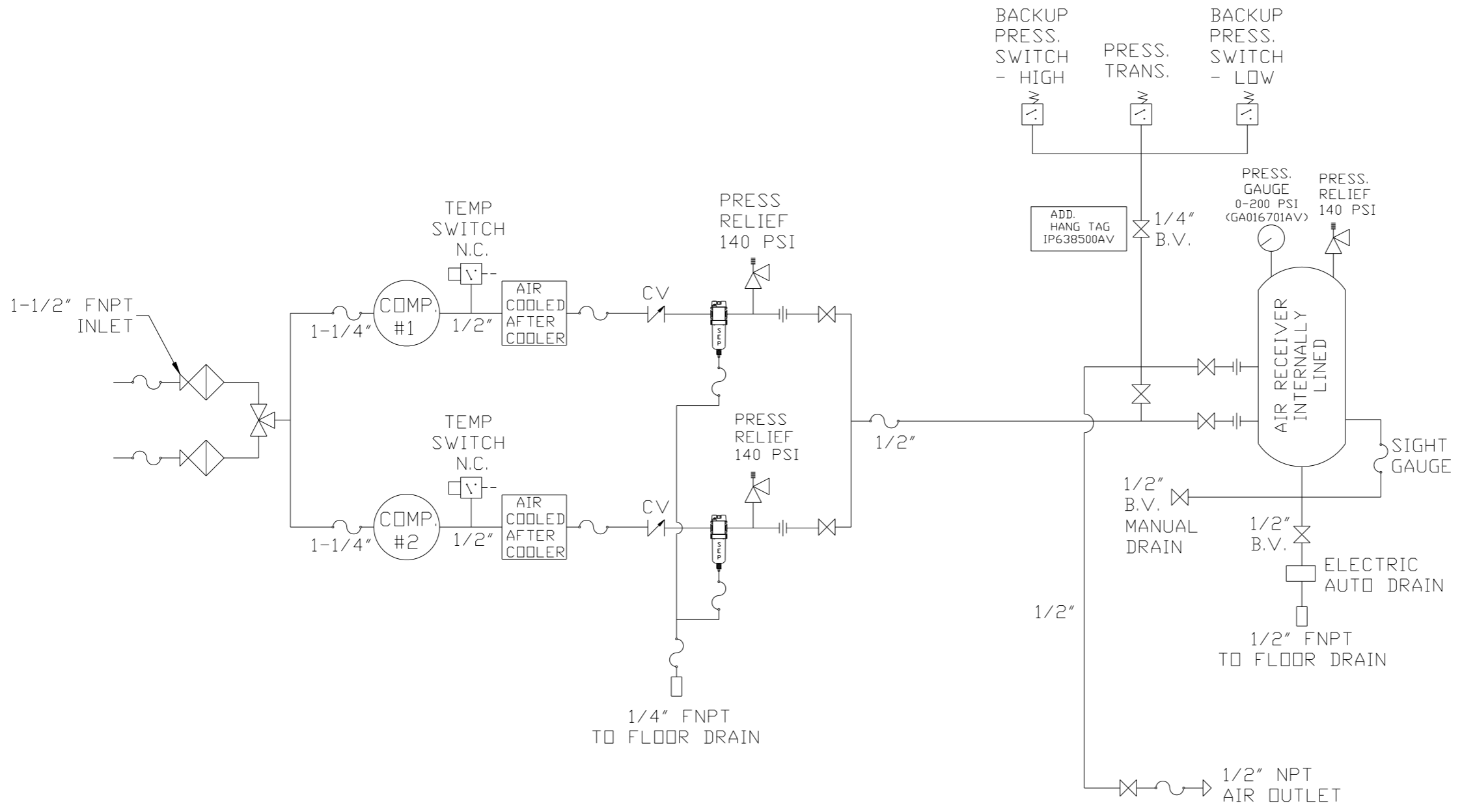
NOTE: SYSTEM DESIGNED IN COMPLIANCE WITH U.S. NFPA '99, LATEST EDITION.

NOTE: A MINIMUM OF 24" CLEARANCE IS RECOMMENDED AROUND THE ENTIRE UNIT.

NOTE: TANK BYPASS PLUMBING NOT SHOWN FOR DRAWING CLARITY.

SYMBOL LEGEND		DO NOT SCALE DRAWING FOR DIMENSIONS	
\ominus = MINUS DRAFT	\oplus = PLUS DRAFT	AUTOCAD REL2014 LT	Sheet 1 of 2
⊕ = ADDITIONAL CONTROL REQ'D	⊕ = BRINELL HARDNESS	INCH	SCALE 1:8
TOLERANCES NOT SPECIFIED		DO NOT SCALE DRAWING FOR DIMENSIONS	
.XX ±		Sheet 1 of 2	
.XXX ±		SCALE 1:8	
<DEG> ±		DRAWN BY: AEK	
CONFIDENTIAL DISCLOSURE		CHECKED BY: GES	
This drawing is the property of POWEREX, INC. of the SCOTT FETZER COMPANY and subject to return on demand. Its contents are confidential and must not be copied or submitted to outside parties for use or examination.		APPROVED BY: DMS	
MATERIAL: N/A		10/6/14	
PART NAME: 7.5HP SCROLL DUPLEX 120 GALLON MEDICAL TANK MOUNT		10/6/14	
DWG NO: MTS0754X2		10/6/14	
SIZE: D		10/6/14	

REV	ZONE	REVISION	DATE	ECN	NAME	CHKD
B-1	ALL	RELEASE TO PRODUCTION	10/6/14	PXEC0057	AEK	GES
C-1	2 CS	ADDED FLEX FROM CV TO SEP	4/8/15	PXEC0093	AEK	GES
D-1	1 ALL	ADDED ISD PADS UNDER PUMP MOUNTING FEET	8/17/15	PXEC0093	AEK	GES
E-1	ALL	ADDED GAUGE TO BASIG PANEL & LINED TANKS	12/14/17	PXEC0107	GES	DMS



LEGEND	
	RELIEF VALVE
	INTAKE FILTER
	3 WAY VALVE
	BALL VALVE
	UNION
	PRESSURE SWITCH
	SEPARATOR
	CHECK VALVE
	FLEX LINE
	HIGH TEMP SWITCH

- NOTES:
- 1) IF LAG 1 COMPRESSOR IS ENERGIZED ALARM WILL OCCUR.
 - 2) PIPING TO THE INLET BY OTHERS AND TO BE PER NFPA99 4-3.1.1.9(b)
 - 3) INSTRUMENTS DOWN STREAM OF SOURCE VALVE TO BE SUPPLIED BY OTHERS.

SYMBOL LEGEND		= ADDITIONAL CONTROL		Drawings to conform to the current revision of the following ANSI standards.	
⊖	= MINUS DRAFT	⊕	= PLUS DRAFT	Ⓡ	= BRINELL HARDNESS
TOLERANCES NOT SPECIFIED		AUTOCAD REL2014 LT		DO NOT SCALE DRAWING FOR DIMENSIONS	
XX ±		INCH		Sheet 2 of 2	
XXX ±				SCALE 1:8	
CONFIDENTIAL DISCLOSURE		DRAWN BY		CHECKED BY	
This drawing is the property of POWEREX, INC. of the SCOTT FEITZER COMPANY and subject to return on demand. Its contents are confidential and must not be copied or submitted to outside parties for use or examination.		AEK		GES	
		10/6/14		10/6/14	
				10/6/14	
				10/6/14	
MATERIAL		N/A			
PART NAME		SCROLL DUPLEX MEDICAL TANK MOUNT FLOW SCHEMATIC			
		DWG NO		MTSD0754X2	
				SIZE D	