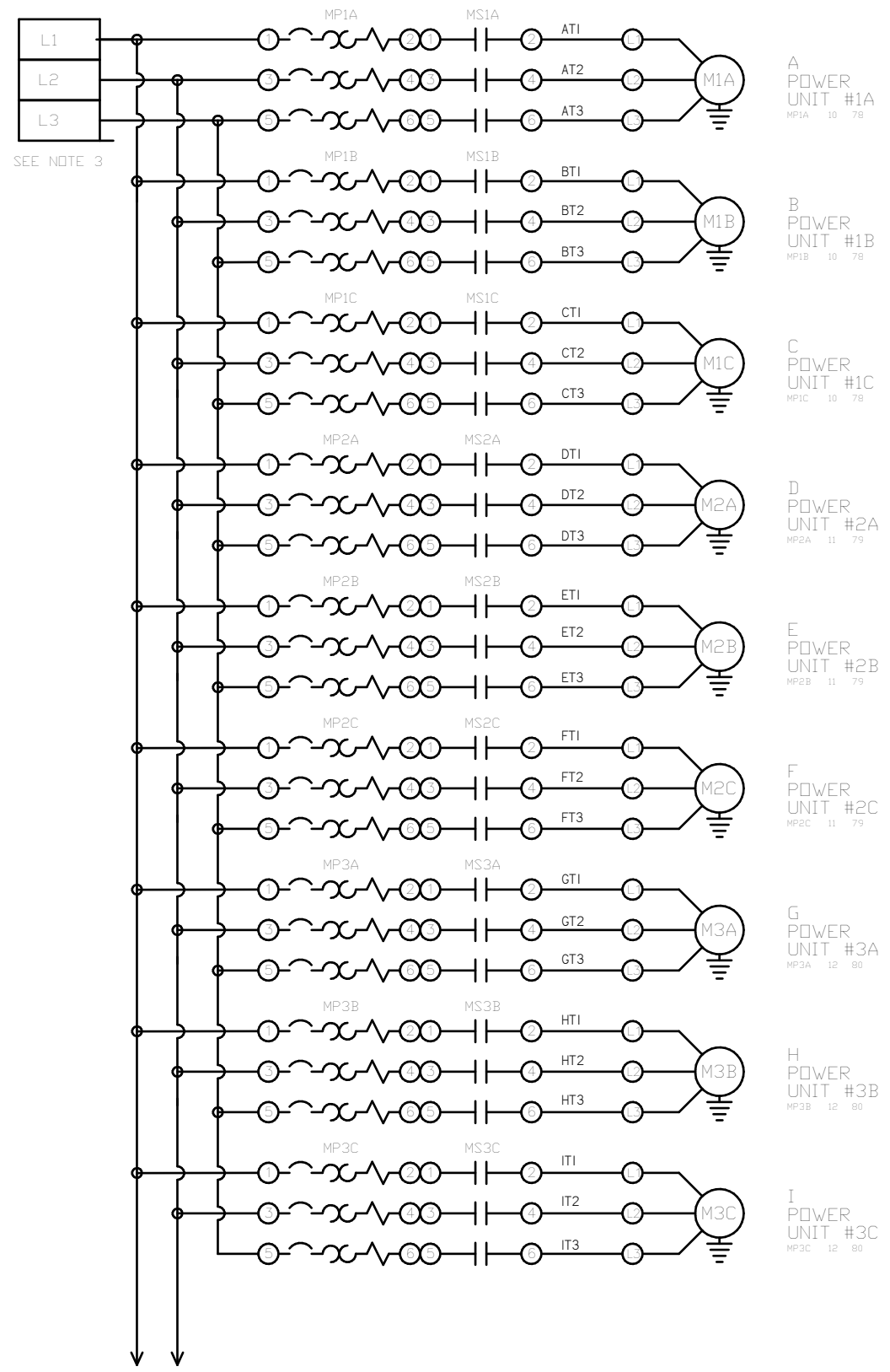


REV	REVISION	DATE	ECN	NAME	CHKD
B-1	RELEASE TO PRODUCTION	05/26/13	PXEC0029	DMS	GES
C-1	BACNET CARD UPDATE ADD ISOLATION RELAYS	10/27/16	PXEC0110	AJL	KMD
D	ADDED FAN WIRING	9/04/18	PXEC0225	JPG	AH



OPTIONAL:	SINGLE CYLINDER PUMPS	<input type="checkbox"/>
	DOUBLE-CYLINDER PUMPS	<input type="checkbox"/>
	TRIPLE-CYLINDER PUMPS	<input type="checkbox"/>
BACNET, WEBSVR,	SCROLL PUMPS	<input checked="" type="checkbox"/>



CONFIDENTIAL DISCLOSURE:
This drawing is the property of the CAMPBELL GROUP of the SCOTT FETZER COMPANY and subject to return on demand. Its contents are confidential and must not be copied or submitted to outside parties for use

DRAWN BY	CHECKED BY	ENGINEERING APPROVAL
DMS	GES	DMS
05/26/13	05/26/13	05/26/13

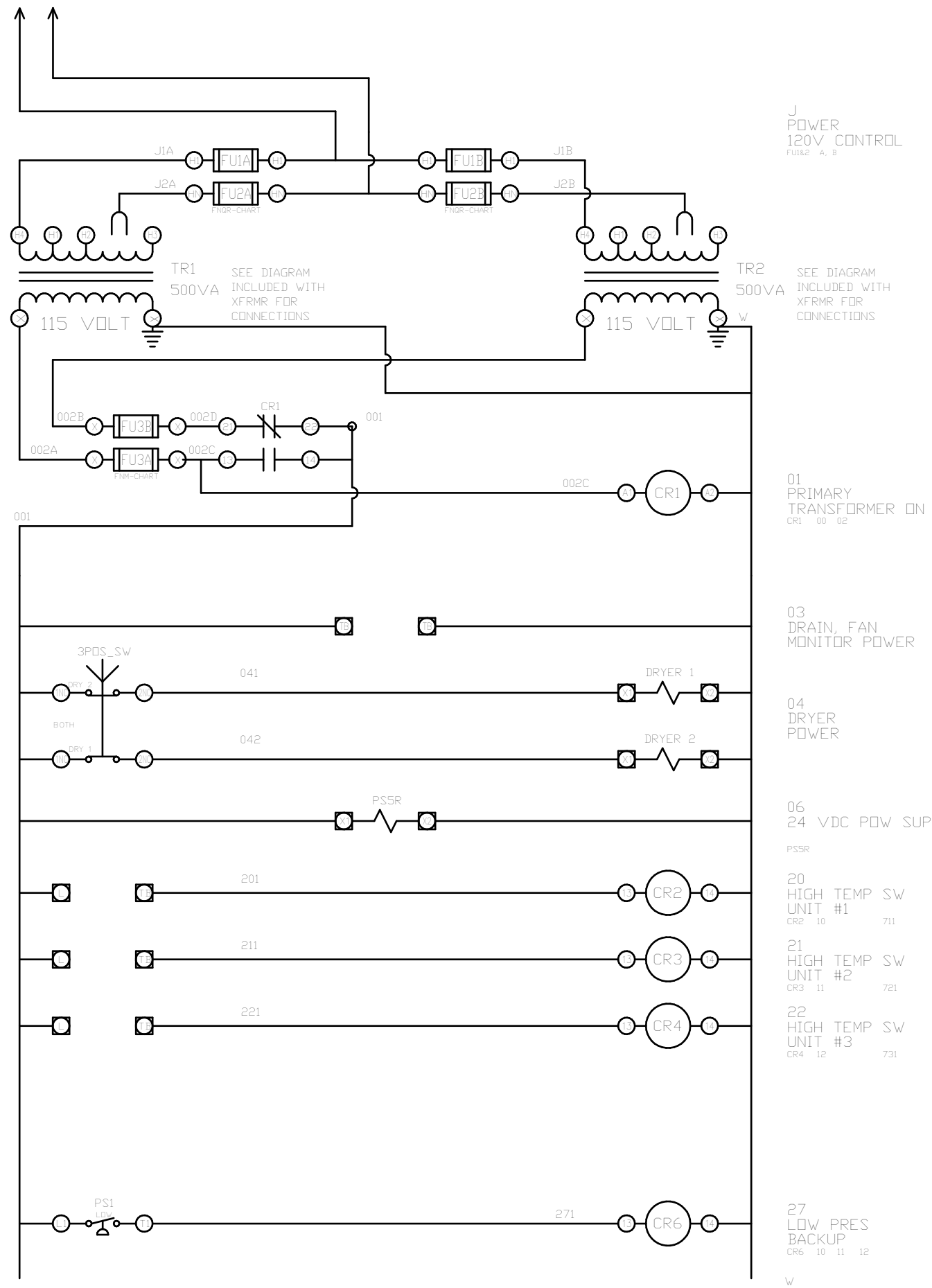
PANEL TYPE
TRIPLEX LAB 15HP SCROLL
HMI, NFPA

DWG. TYPE WIRING

DWG. NO.
PXMI-LS316F W

SHEET W-1	SIZE B
--------------	-----------

REV	REVISION	DATE	ECN	NAME	CHKD
B-1	RELEASE TO PRODUCTION	05/26/13	PXEC0029	DMS	GES
C-1	BACNET CARD UPDATE ADD ISOLATION RELAYS	10/27/16	PXEC0110	AJL	KMD
D	ADDED FAN WIRING	9/04/18	PXEC0229	JPG	AH



OPTIONAL:

SINGLE CYLINDER PUMPS	<input type="checkbox"/>
DOUBLE-CYLINDER PUMPS	<input type="checkbox"/>
TRIPLE-CYLINDER PUMPS	<input type="checkbox"/>
SCROLL PUMPS	<input checked="" type="checkbox"/>

BACNET, WEBSRVR,



CONFIDENTIAL DISCLOSURE:
This drawing is the property of the CAMPBELL GROUP of the SCOTT FETZER COMPANY and subject to return on demand. Its contents are confidential and must not be copied or submitted to outside parties for use or examination.

DRAWN BY	CHECKED BY	ENGINEERING APPROVAL
DMS	GES	DMS
05/26/13	05/26/13	05/26/13

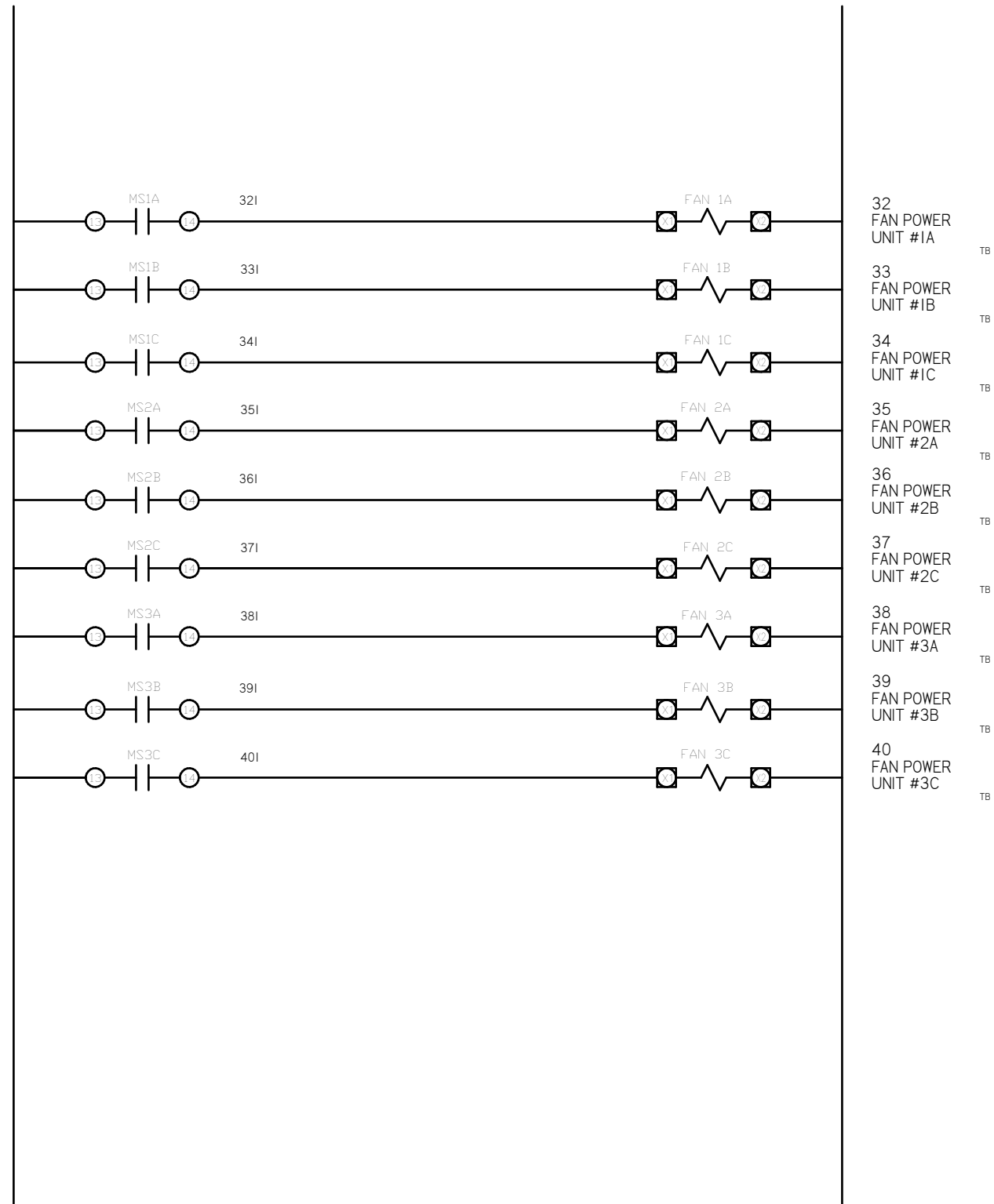
PANEL TYPE
TRIPLEX LAB 15HP SCROLL HMI, NFPA

DWG. TYPE WIRING

DWG. NO. PXMI-LS316F W

SHEET	SIZE
W-2	B

REV	REVISION	DATE	ECN	NAME	CHKD
B-1	RELEASE TO PRODUCTION	05/26/13	PXEC0029	DMS	GES
C-1	BACNET CARD UPDATE ADD ISOLATION RELAYS	10/27/16	PXEC0110	AJL	KMD
D	ADDED FAN WIRING	9/04/18	PXEC0229	JPG	AH



OPTIONAL:	SINGLE CYLINDER PUMPS	<input type="checkbox"/>
	DOUBLE-CYLINDER PUMPS	<input type="checkbox"/>
	TRIPLE-CYLINDER PUMPS	<input type="checkbox"/>
BACNET, WEBSVR,	SCROLL PUMPS	<input checked="" type="checkbox"/>



CONFIDENTIAL DISCLOSURE:
This drawing is the property of the CAMPBELL GROUP of the SCOTT FETZER COMPANY and subject to return on demand. Its contents are confidential and must not be copied or submitted to outside parties for use

DRAWN BY	CHECKED BY	ENGINEERING APPROVAL
DMS	GES	DMS
05/26/13	05/26/13	05/26/13

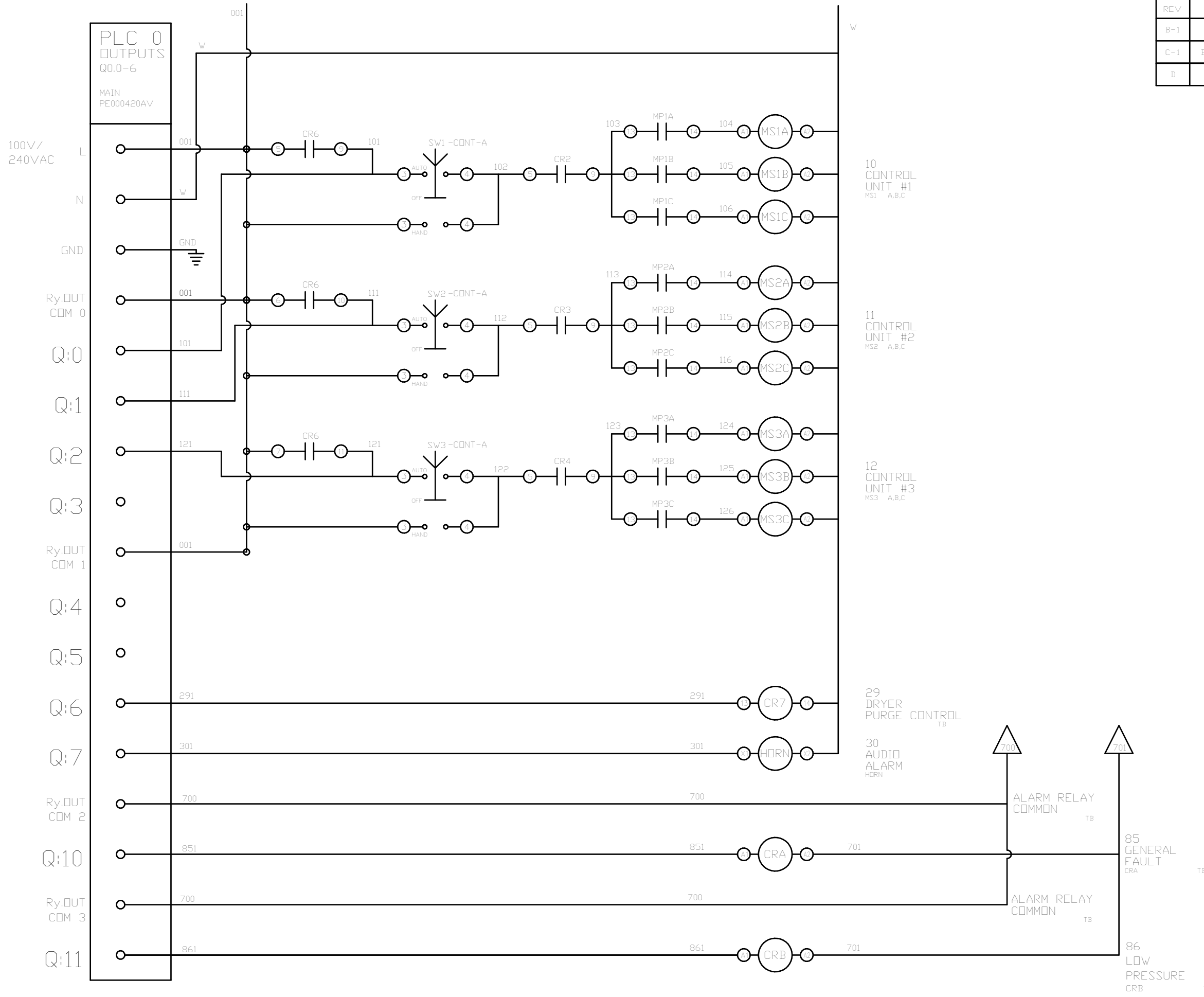
PANEL TYPE
TRIPLEX LAB 15HP SCROLL HMI, NFPA

DWG. TYPE WIRING

DWG. NO.
PXMI-LS316F W

SHEET W-3	SIZE B
--------------	-----------

REV	REVISION	DATE	ECN	NAME	CHKD
B-1	RELEASE TO PRODUCTION	05/26/13	PXEC0029	DMS	GES
C-1	BACNET CARD UPDATE ADD ISOLATION RELAYS	10/27/16	PXEC0110	AJL	KMD
D	ADDED FAN WIRING	9/04/18	PXEC0225	JPG	AH



OPTIONAL:	SINGLE CYLINDER PUMPS	<input type="checkbox"/>
	DOUBLE-CYLINDER PUMPS	<input type="checkbox"/>
	TRIPLE-CYLINDER PUMPS	<input type="checkbox"/>
	SCROLL PUMPS	<input checked="" type="checkbox"/>

BACNET, WEBSVR.



CONFIDENTIAL DISCLOSURE:
This drawing is the property of the CAMPBELL GROUP of the SCOTT FETZER COMPANY and subject to return on demand. Its contents are confidential and must not be copied or submitted to outside parties for use

DRAWN BY	CHECKED BY	ENGINEERING APPROVAL
DMS	GES	DMS
05/26/13	05/26/13	05/26/13

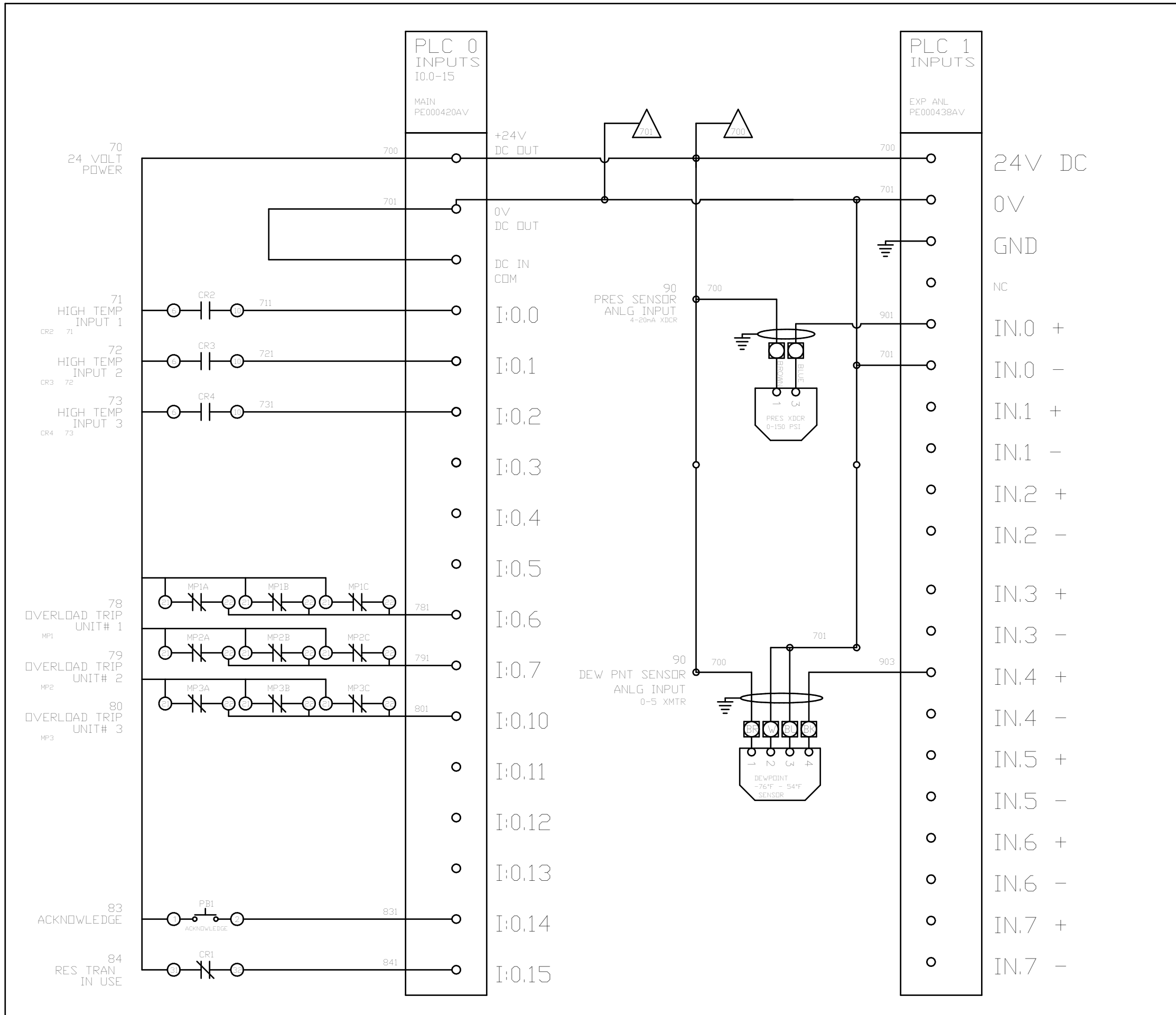
PANEL TYPE
TRIPLEX LAB 15HP SCROLL HMI, NFPA

DWG. TYPE WIRING

DWG. NO. PXMI-LS316F W

SHEET W-4 SIZE B

REV	REVISION	DATE	ECN	NAME	CHKD
B-1	RELEASE TO PRODUCTION	05/26/13	PXEC0029	DMS	GES
C-1	BACNET CARD UPDATE ADD ISOLATION RELAYS	10/27/16	PXEC0110	AJL	KMD
D	ADDED FAN WIRING	9/04/18	PXEC0229	JPG	AH



OPTIONAL:	SINGLE CYLINDER PUMPS	<input type="checkbox"/>
	DOUBLE-CYLINDER PUMPS	<input type="checkbox"/>
	TRIPLE-CYLINDER PUMPS	<input type="checkbox"/>
BACNET, WEBSVR,	SCROLL PUMPS	<input checked="" type="checkbox"/>



CONFIDENTIAL DISCLOSURE:
This drawing is the property of the CAMPBELL GROUP of the SCOTT FETZER COMPANY and subject to return on demand. Its contents are confidential and must not be copied or submitted to outside parties for use or examination.

DRAWN BY	CHECKED BY	ENGINEERING APPROVAL
DMS	GES	DMS
05/26/13	05/26/13	05/26/13

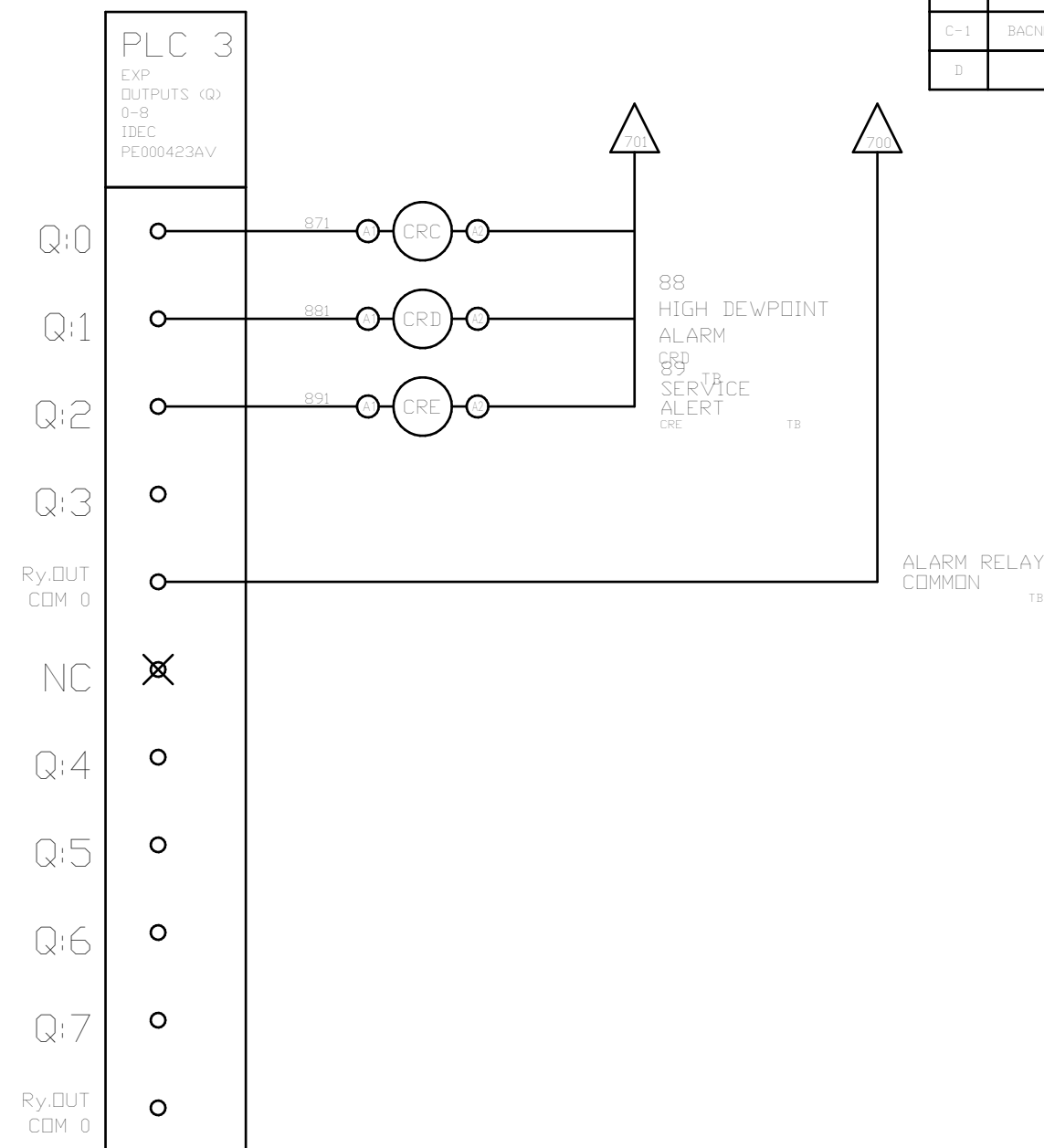
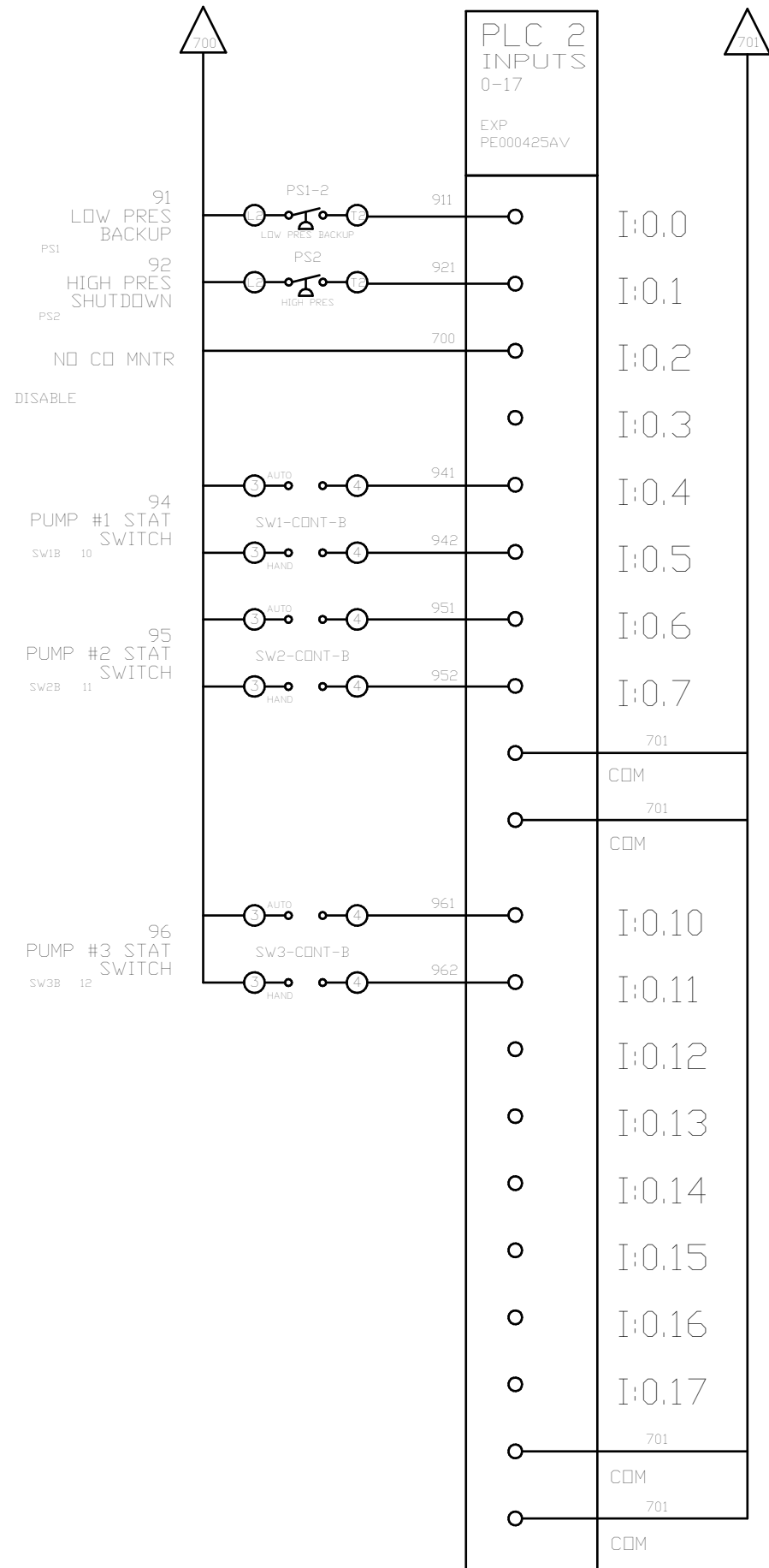
PANEL TYPE
TRIPLEX LAB 15HP SCROLL HMI, NFPA

DWG TYPE
WIRING

DWG NO.
PXMI-LS316F W

SHEET W-5	SIZE B
--------------	-----------

REV	REVISION	DATE	ECN	NAME	CHKD
B-1	RELEASE TO PRODUCTION	05/26/13	PXEC0029	DMS	GES
C-1	BACNET CARD UPDATE ADD ISOLATION RELAYS	10/27/16	PXEC0118	AJL	KMD
D	ADDED FAN WIRING	9/04/18	PXEC0225	JPG	AH



OPTIONAL:

SINGLE CYLINDER PUMPS	<input type="checkbox"/>
DOUBLE-CYLINDER PUMPS	<input type="checkbox"/>
TRIPLE-CYLINDER PUMPS	<input type="checkbox"/>
SCROLL PUMPS	<input checked="" type="checkbox"/>

BACNET, WEBSRV,



CONFIDENTIAL DISCLOSURE:
This drawing is the property of the CAMPBELL GROUP of the SCOTT FETZER COMPANY and subject to return on demand. Its contents are confidential and must not be copied or submitted to outside parties for use

DRAWN BY	CHECKED BY	ENGINEERING APPROVAL
DMS	GES	DMS
05/26/13	05/26/13	05/26/13

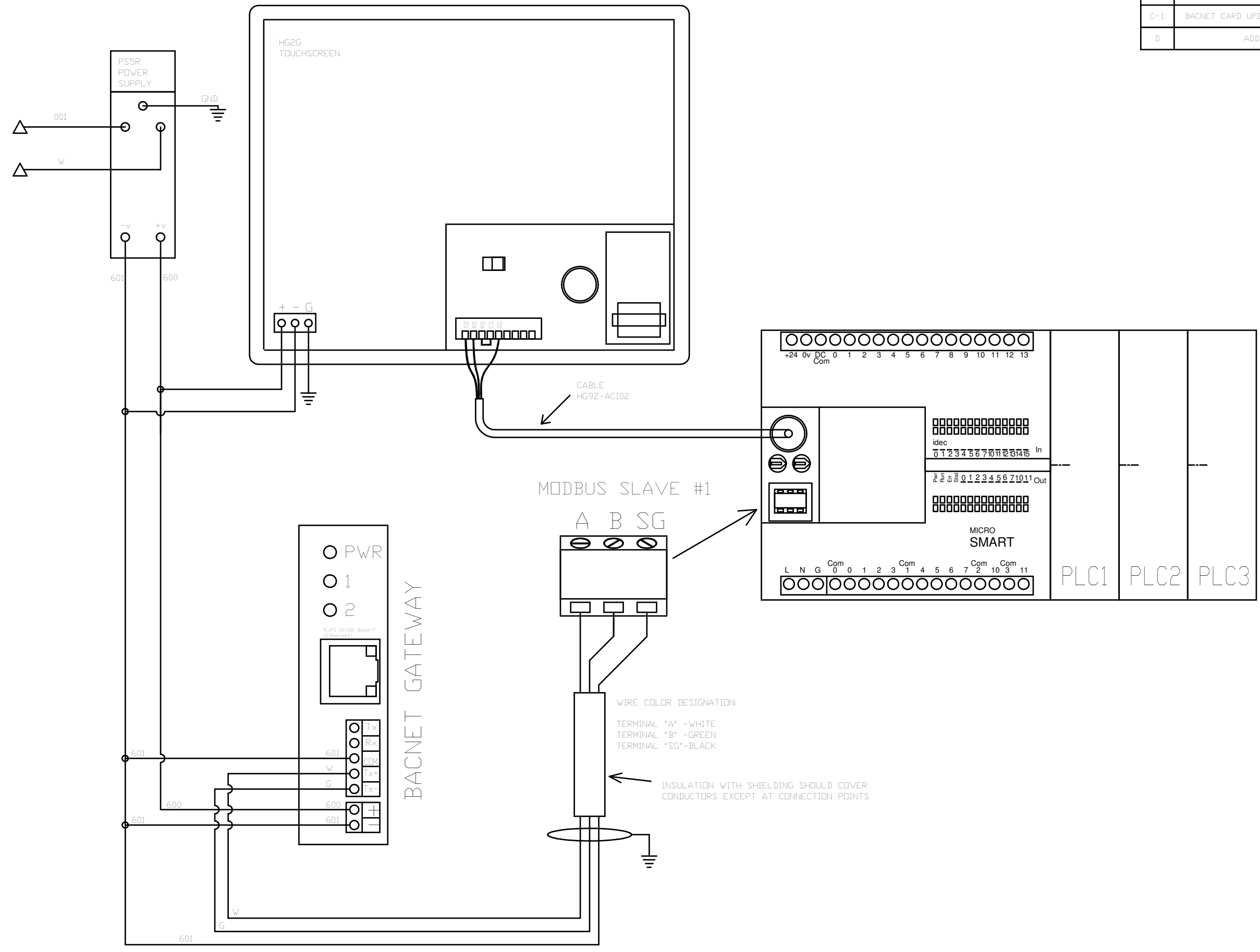
PANEL TYPE
TRIPLEX LAB 15HP SCROLL HMI, NFPA

DWG. TYPE: WIRING

DWG. NO.: PXMI-LS316F W

SHEET	SIZE
W-6	B

REV	REVISION	DATE	ECN	NAME	CHKD
B-1	RELEASE TO PRODUCTION	05/26/13	PXEC0029	DMS	GES
C-1	BACNET CARD UPDATE ADD ISOLATION RELAYS	10/27/16	PXEC0110	AJL	KMD
D	ADDED FAN WIRING	9/04/18	PXEC0229	JPG	AH



OPTIONAL:

SINGLE CYLINDER PUMPS	<input type="checkbox"/>
DOUBLE-CYLINDER PUMPS	<input type="checkbox"/>
TRIPLE-CYLINDER PUMPS	<input type="checkbox"/>
SCROLL PUMPS	<input checked="" type="checkbox"/>

BACNET, WEBSVR,



CONFIDENTIAL DISCLOSURE:
This drawing is the property of the CAMPBELL GROUP of the SCOTT FETZER COMPANY and subject to return on demand. Its contents are confidential and must not be copied or submitted to outside parties for use.

DRAWN BY	OR EXAMINATION CHECKED BY	ENGINEERING APPROVAL
DMS	GES	DMS
05/26/13	05/26/13	05/26/13

PANEL TYPE
TRIPLEX LAB 15HP SCROLL HMI, NFPA

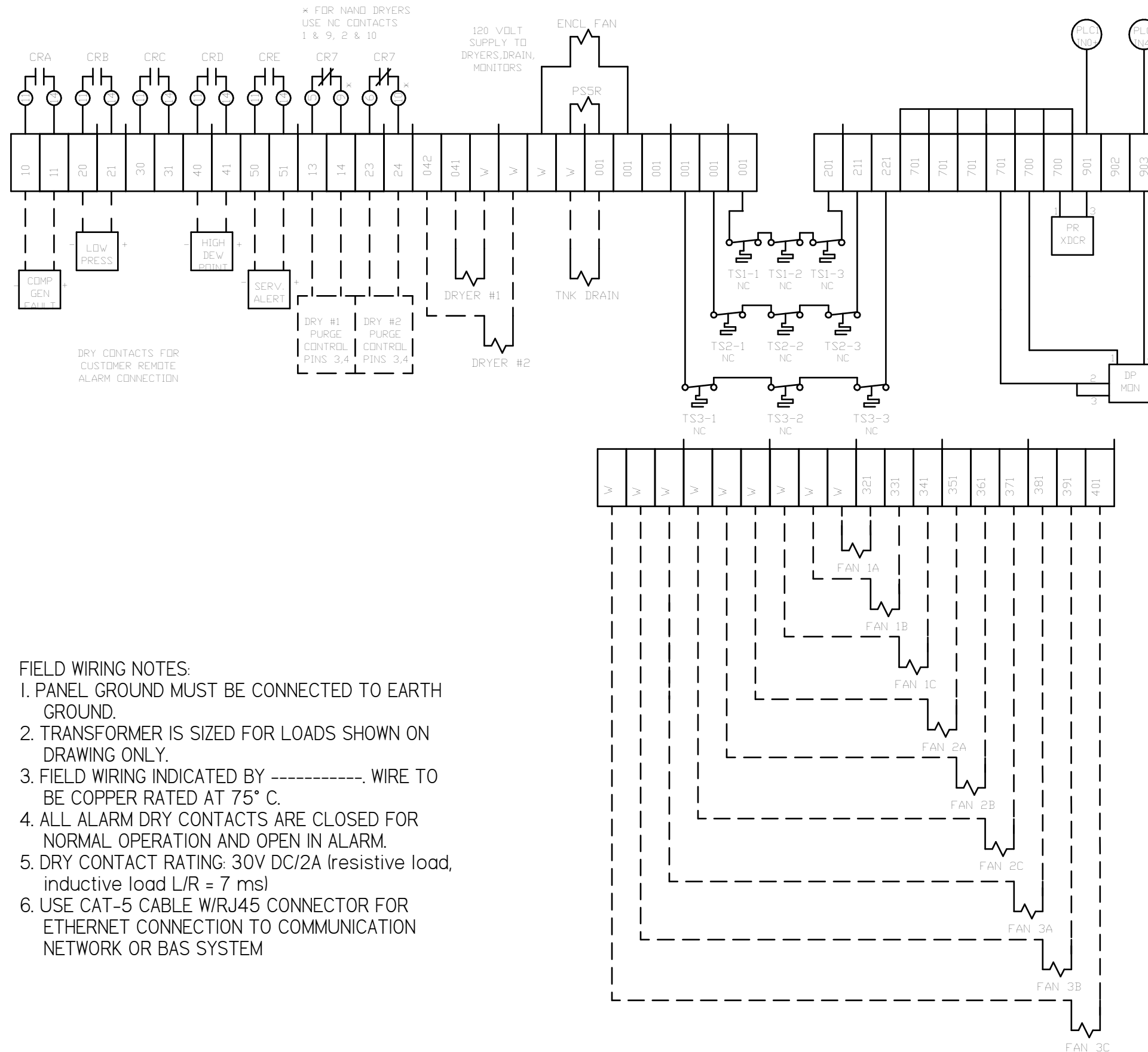
DWG. TYPE WIRING

DWG. NO. PXMI-LS316F W

SHEET	SIZE
W-7	B

REV	REVISION	DATE	ECN	NAME	CHKD
B-1	RELEASE TO PRODUCTION	05/26/13	PXEC0029	DMS	GES
C-1	BACNET CARD UPDATE ADD ISOLATION RELAYS	10/27/16	PXEC0110	AJL	KMD
D	ADDED FAN WIRING	9/04/18	PXEC0229	JPG	AH

TERMINAL BLOCKS



ASSEMBLY NOTE:

USE SHIELDED CABLE BETWEEN TERMINAL BLOCKS AND PLC. CONNECT GROUND LOOPS TO GROUND BLOCK. CABLE IS NOT TO BE ROUTED IN PROXIMITY (2") OR ROUTED IN WIRE TRAY OF ANY 3-PHASE POWER CONDUCTORS.

FIELD WIRING NOTES:

1. PANEL GROUND MUST BE CONNECTED TO EARTH GROUND.
2. TRANSFORMER IS SIZED FOR LOADS SHOWN ON DRAWING ONLY.
3. FIELD WIRING INDICATED BY -----, WIRE TO BE COPPER RATED AT 75° C.
4. ALL ALARM DRY CONTACTS ARE CLOSED FOR NORMAL OPERATION AND OPEN IN ALARM.
5. DRY CONTACT RATING: 30V DC/2A (resistive load, inductive load L/R = 7 ms)
6. USE CAT-5 CABLE W/RJ45 CONNECTOR FOR ETHERNET CONNECTION TO COMMUNICATION NETWORK OR BAS SYSTEM

OPTIONAL:	SINGLE CYLINDER PUMPS	<input type="checkbox"/>
	DOUBLE-CYLINDER PUMPS	<input type="checkbox"/>
	TRIPLE-CYLINDER PUMPS	<input type="checkbox"/>
BACNET, WEBSVR.	SCROLL PUMPS	<input checked="" type="checkbox"/>



CONFIDENTIAL DISCLOSURE:
This drawing is the property of the CAMPBELL GROUP of the SCOTT FETZER COMPANY and subject to return on demand. Its contents are confidential and must not be copied or submitted to outside parties for use

DRAWN BY	CHECKED BY	ENGINEERING APPROVAL
DMS	GES	DMS
05/26/13	05/26/13	05/26/13

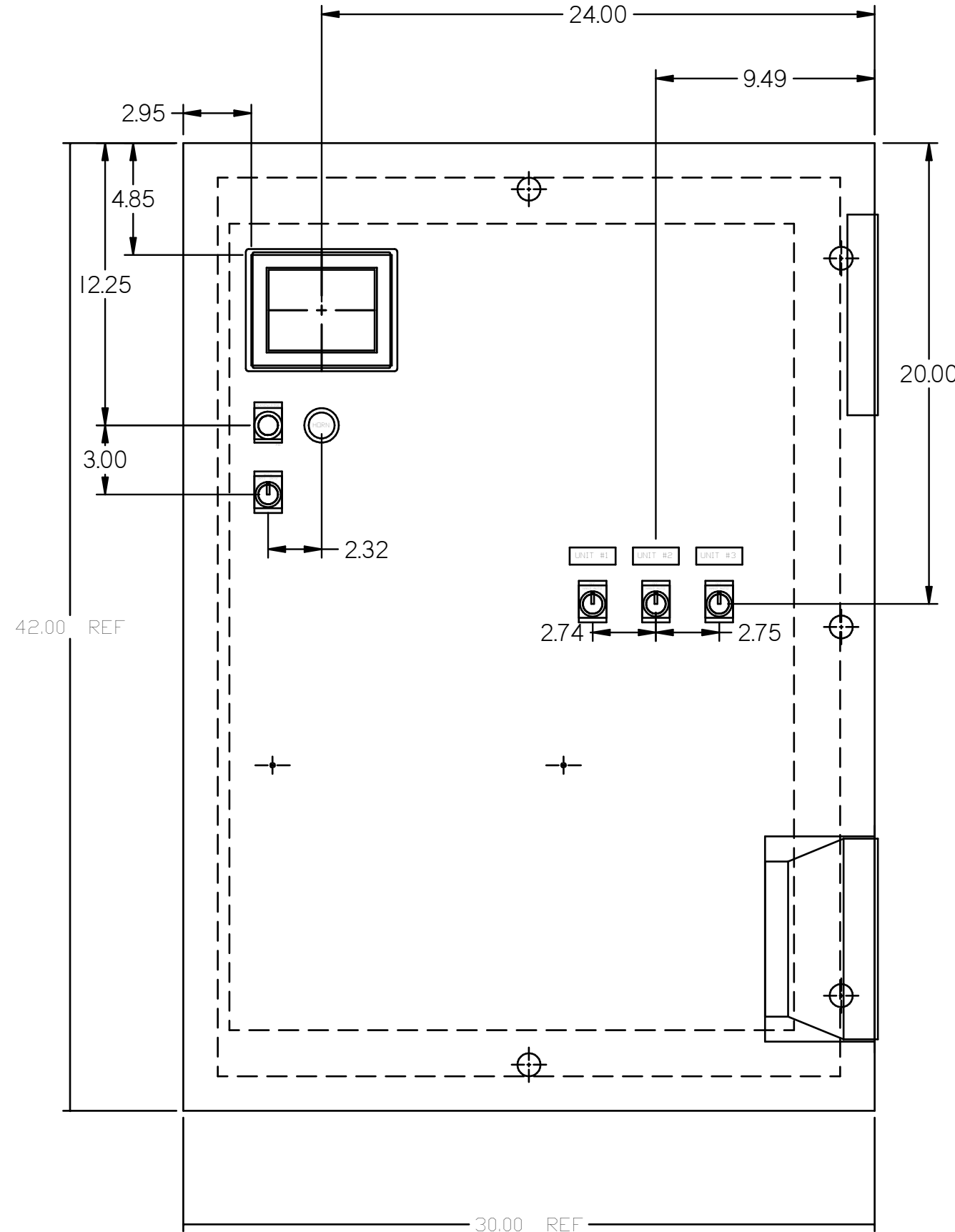
PANEL TYPE
TRIPLEX LAB 15HP SCROLL HMI, NFPA

DWG. TYPE WIRING

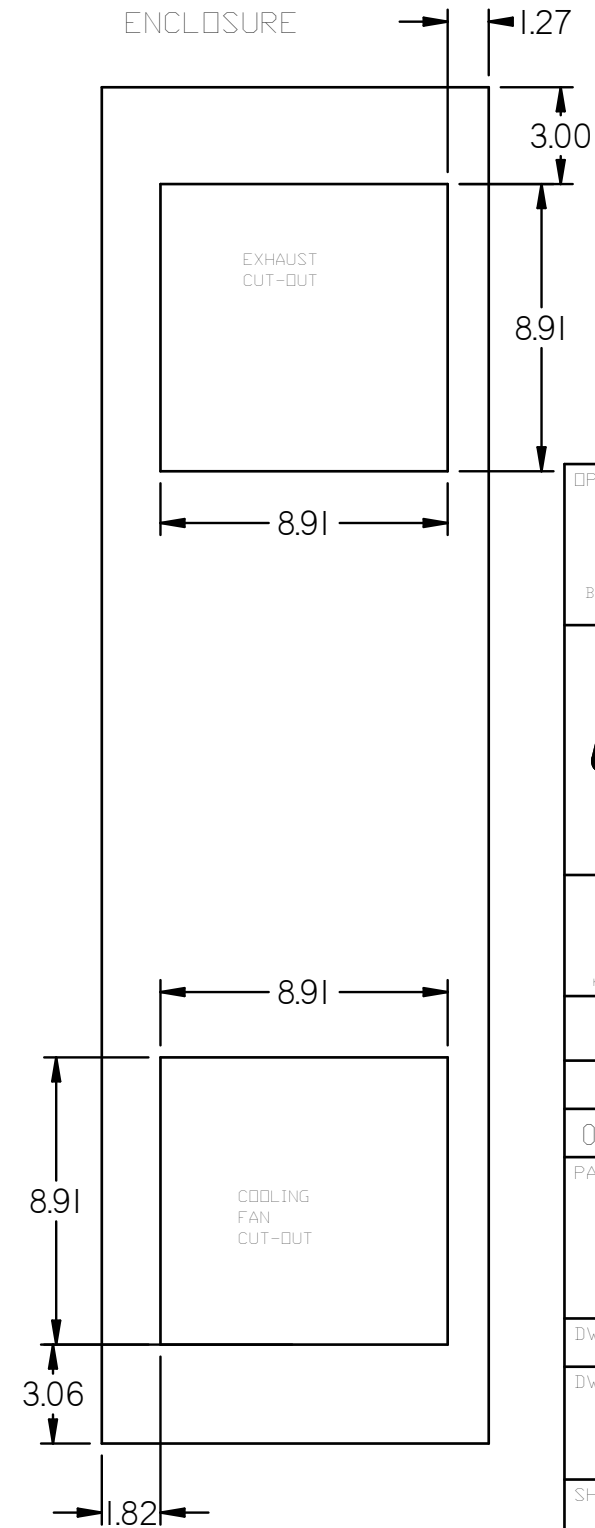
DWG. NO. PXMI-LS316F W

SHEET	SIZE
W-8	B

REV	REVISION	DATE	ECN	NAME	CHKD
B-1	RELEASE TO PRODUCTION	05/26/13	PXEC0029	DMS	GES
C-1	BACNET CARD UPDATE ADD ISOLATION RELAYS	10/27/16	PXEC0110	AJL	KMD
D	ADDED FAN WIRING	9/04/18	PXEC0229	JPG	AH



RIGHT SIDE OF ENCLOSURE



OPTIONAL:	SINGLE CYLINDER PUMPS	<input type="checkbox"/>
	DOUBLE-CYLINDER PUMPS	<input type="checkbox"/>
	TRIPLE-CYLINDER PUMPS	<input type="checkbox"/>
BACNET, WEBSVR,	SCROLL PUMPS	<input checked="" type="checkbox"/>



CONFIDENTIAL DISCLOSURE:
This drawing is the property of the CAMPBELL GROUP of the SCOTT FETZER COMPANY and subject to return on demand. Its contents are confidential and must not be copied or submitted to outside parties for use

DRAWN BY	OR EXAMINATION CHECKED BY	ENGINEERING APPROVAL
DMS	GES	DMS
05/26/13	05/26/13	05/26/13

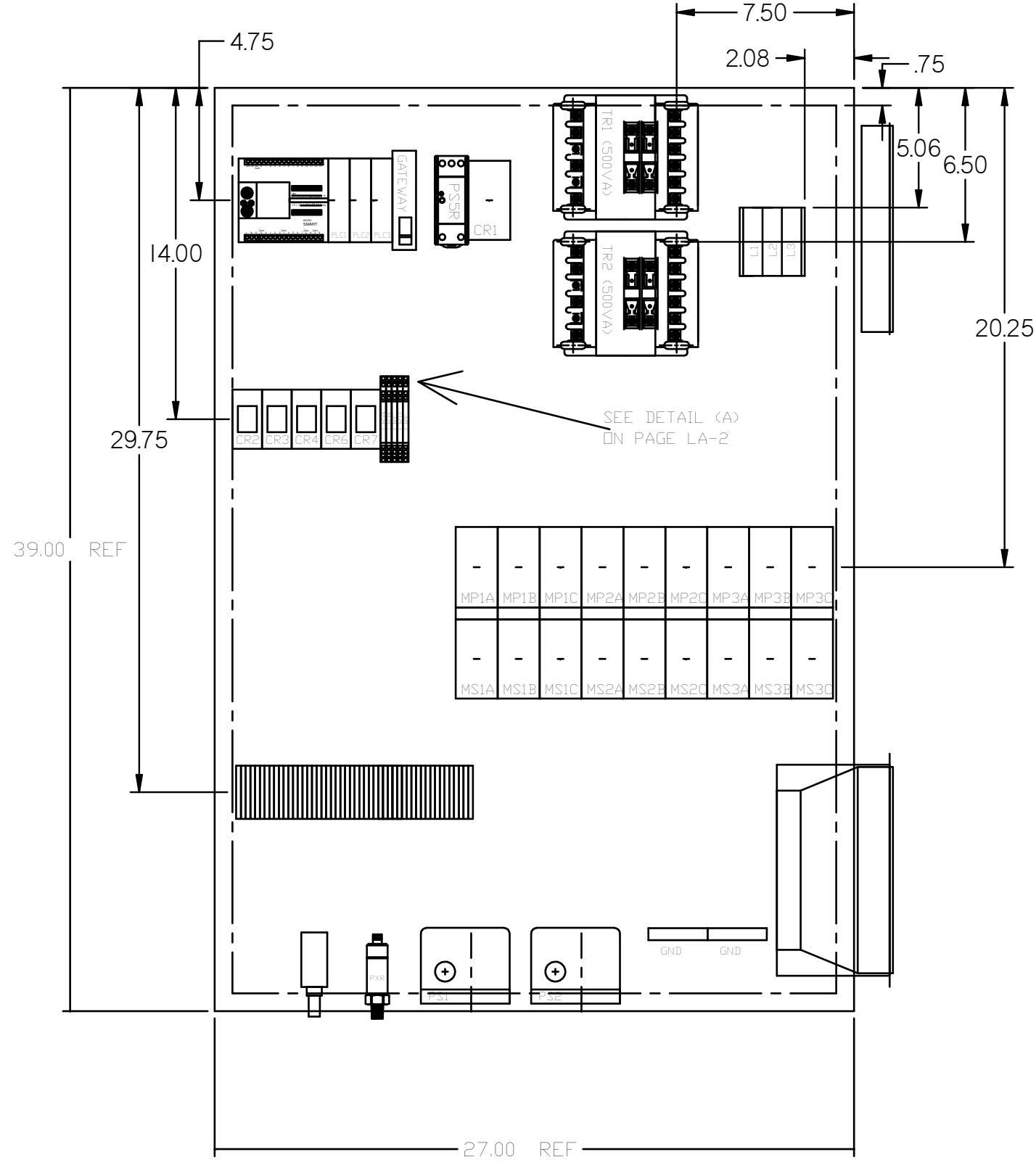
PANEL TYPE
TRIPLEX LAB 15HP SCROLL HMI, NFPA

DWG. TYPE LAYOUT

DWG. NO.
PXMI-LS316F W

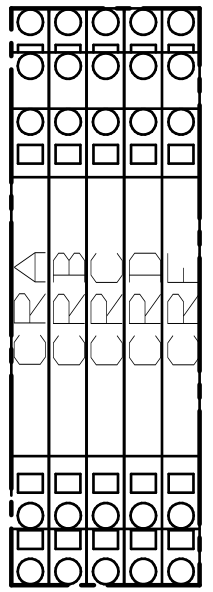
SHEET	SIZE
L-1	B

REV	REVISION	DATE	ECN	NAME	CHKD
B-1	RELEASE TO PRODUCTION	05/26/13	PXEC0029	DMS	GES
C-1	BACNET CARD UPDATE ADD ISOLATION RELAYS	10/27/16	PXEC0110	AJL	KMD
D	ADDED FAN WIRING	9/04/18	PXEC0229	JPG	AH



SEE DETAIL (A)
ON PAGE LA-2

DETAIL (A)



OPTIONAL:

SINGLE CYLINDER PUMPS	<input type="checkbox"/>
DOUBLE-CYLINDER PUMPS	<input type="checkbox"/>
TRIPLE-CYLINDER PUMPS	<input type="checkbox"/>
SCROLL PUMPS	<input checked="" type="checkbox"/>

BACNET, WEBSRV,



CONFIDENTIAL DISCLOSURE:
This drawing is the property of the CAMPBELL GROUP of the SCOTT FETZER COMPANY and subject to return on demand. Its contents are confidential and must not be copied or submitted to outside parties for use or examination.

DRAWN BY	CHECKED BY	ENGINEERING APPROVAL
DMS	GES	DMS
05/26/13	05/26/13	05/26/13

PANEL TYPE
TRIPLEX LAB 15HP SCROLL HMI, NFPA

DWG. TYPE LAYOUT

DWG. NO. PXMI-LS316F W

SHEET	SIZE
L-2	B

REV	REVISION	DATE	ECN	NAME	CHKD
B-1	RELEASE TO PRODUCTION	05/26/13	PXEC0029	DMS	GES
C-1	BACNET CARD UPDATE ADD ISOLATION RELAYS	10/27/16	PXEC0110	AJL	KMD
D	ADDED FAN WIRING	9/04/18	PXEC0229	JPG	AH

TABLE 1

PANEL DATA 3Ø - 60 Hz 500VA CONTROL CIRCUIT								
(A) LOAD SPECIFICATIONS					(B) BRANCH CIRCUIT PROTECTION - PROVIDED BY INSTALLER			
PANEL PART NUMBER	MOTOR SIZE EACH (HP)	(A) POWER (V/PH)	(A) MOTOR LOAD EACH (FLA)	PANEL LOAD TOTAL (FLA)	NONTIME DELAY FUSE	TIME-DELAY FUSE	INVERSE-TIME CIRCUIT BREAKER	
PBMILS316F2AJ (5HPx3)x3	208V/3Ø	14.2	131		175A	150A	175A	
PBMILS316F3AJ (5HPx3)x3	230V/3Ø	12.8	118		150A	150A	150A	
PBMILS316F4AJ (5HPx3)x3	460V/3Ø	6.4	61		75A	65A	70A	

NOTE- ADJUST OVERCURRENT PROTECTION DEVICE NOT TO EXCEED 115% OF MOTOR NAMEPLATE FLA VALUE

NOTES:

- RECOMMENDED TIGHTENING TORQUES FOR WIRE TERMINALS:
208-575 VOLT POWER 35 POUND INCHES
120 VOLT POWER AND CONTROL VOLTAGE 15 POUND INCHES
- PANEL GROUND MUST BE CONNECTED TO EARTH GROUND
- INSTALLER TO PROVIDE MAIN DISCONNECTING DEVICE WITH SHORT CIRCUIT PROTECTION FOR THIS ELECTRICAL ASSEMBLY. SEE TABLE 1 FOR REQUIREMENTS.
- ALL WIRES MUST BE LABELED ON BOTH ENDS
- TRANSFORMER IS SIZED FOR LOADS SHOWN ON DRAWING ONLY. DO NOT CONNECT ANY OTHER DEVICES
- △ INDICATES A DRAWING WIRE CONNECTION TO ANOTHER PAGE. FIELD WIRING NOTES ON PAGE W-7.

SEQUENCE OF OPERATIONS

During normal operation the PBMI controller will signal the Lead compressor to run when pressure drops below lead cut-in set-point and stop when the pressure reaches the lead cut-out set-point. Lead alternation to the next pump, will occur with each lead run signal or every 10-minutes (which ever happens first). If demand cannot be satisfied by the lead pump, the lag pump(s) will start and stop based upon the lag cut-in and cut-out set-points. When more than one pump is running, lead alternation will occur when the lowest cut-out set-point is satisfied, or after 10-minutes (which ever happens first). The HOA switch's place the pump in the following modes: Hand-turns pump on to run continuous. Off-disables pump from running. Auto-places pump in the "ready mode" and will start and stop based on sequence described above.

All plex configurations include a hardwired Back-up pressure switch circuit should a control failure occur. This circuit will call all pumps on and off based on the reserve pressure switch set-points.

Expandable systems include all control devices, operators, and programming for the maximum number of pumps (or plex) required. To expand the system: navigate to the "service screen" and enter the number of pumps.

Additional information and descriptions can be accessed through the HMI "service info" screen by pressing Sequence of Operations button.

OPTIONAL:	SINGLE CYLINDER PUMPS	<input type="checkbox"/>
	DOUBLE-CYLINDER PUMPS	<input type="checkbox"/>
	TRIPLE-CYLINDER PUMPS	<input type="checkbox"/>
BACNET, WEBSRVR,	SCROLL PUMPS	<input checked="" type="checkbox"/>



CONFIDENTIAL DISCLOSURE:
This drawing is the property of the CAMPBELL GROUP of the SCOTT FETZER COMPANY and subject to return on demand. Its contents are confidential and must not be copied or submitted to outside parties for use or examination.

DRAWN BY	CHECKED BY	ENGINEERING APPROVAL
DMS	GES	DMS
05/26/13	05/26/13	05/26/13

PANEL TYPE
TRIPLEX LAB 15HP SCROLL
HMI, NFPA

DWG. TYPE WIRING

DWG. NO. PXMI-LS316F W

SHEET	SIZE
D-1	B

CONTROL TRANSFORMERS - 500VA						WIRE TYPE TABLE			
FUSE		208	230	460	575	VOLTAGE	WIRE NUMBERS	GAUGE	COLOR
FU1,2A	FNQR	6A	5A	5A	4A	120VAC	001-699	16-18AWG	RED/BLK
FU1,2B						24VDC	700-999	16-18AWG	WHT/BLK
FU3A,B	FNM	7A	7A	7A	7A	24VDC	701	16-18AWG	PURPLE
						GND	-	VARIES	PURPLE
						CUSTOMER SUPPLY	01-99	16AWG	GREEN
SEE XFMR FOR CONNECTIONS									YELLOW