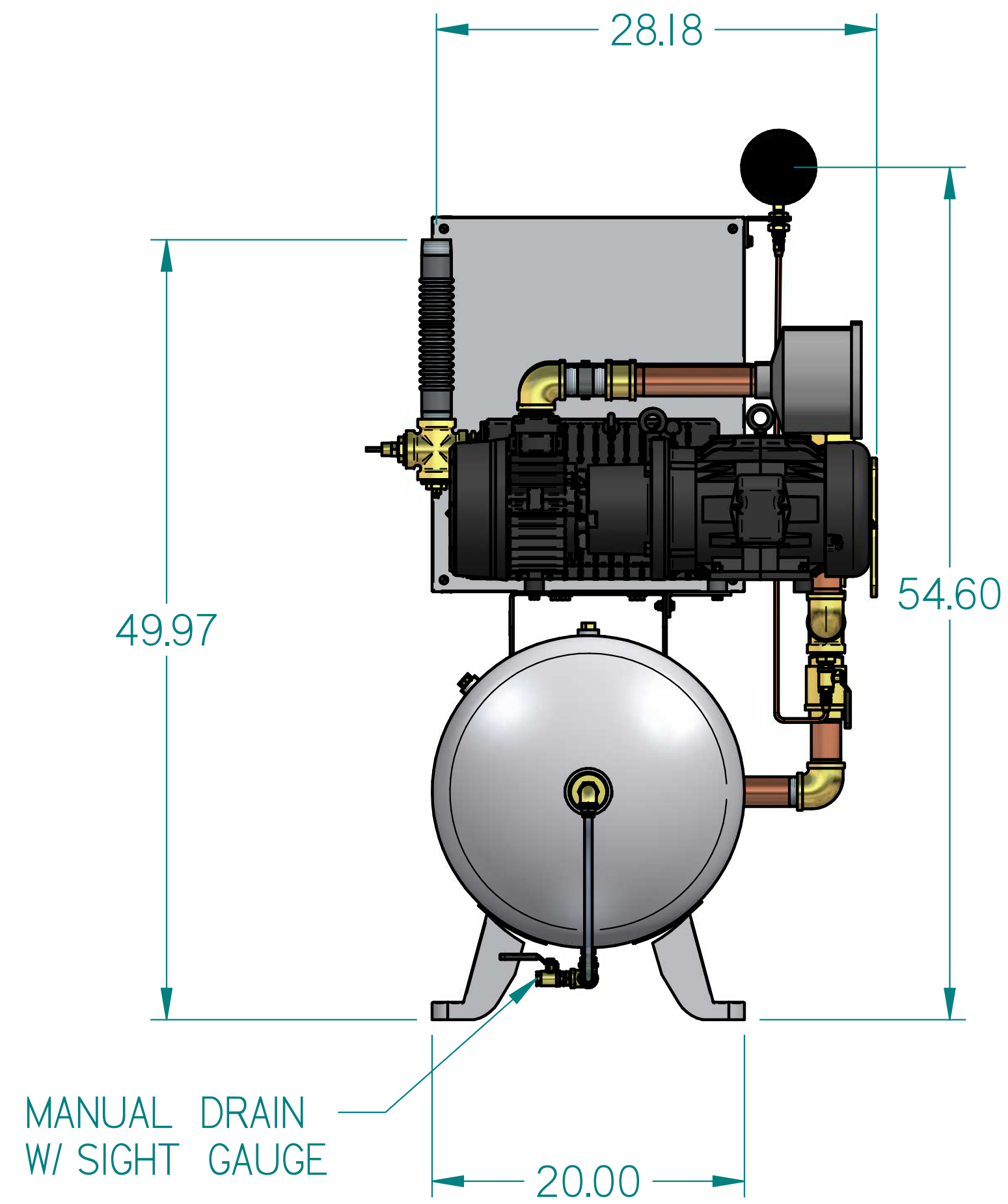


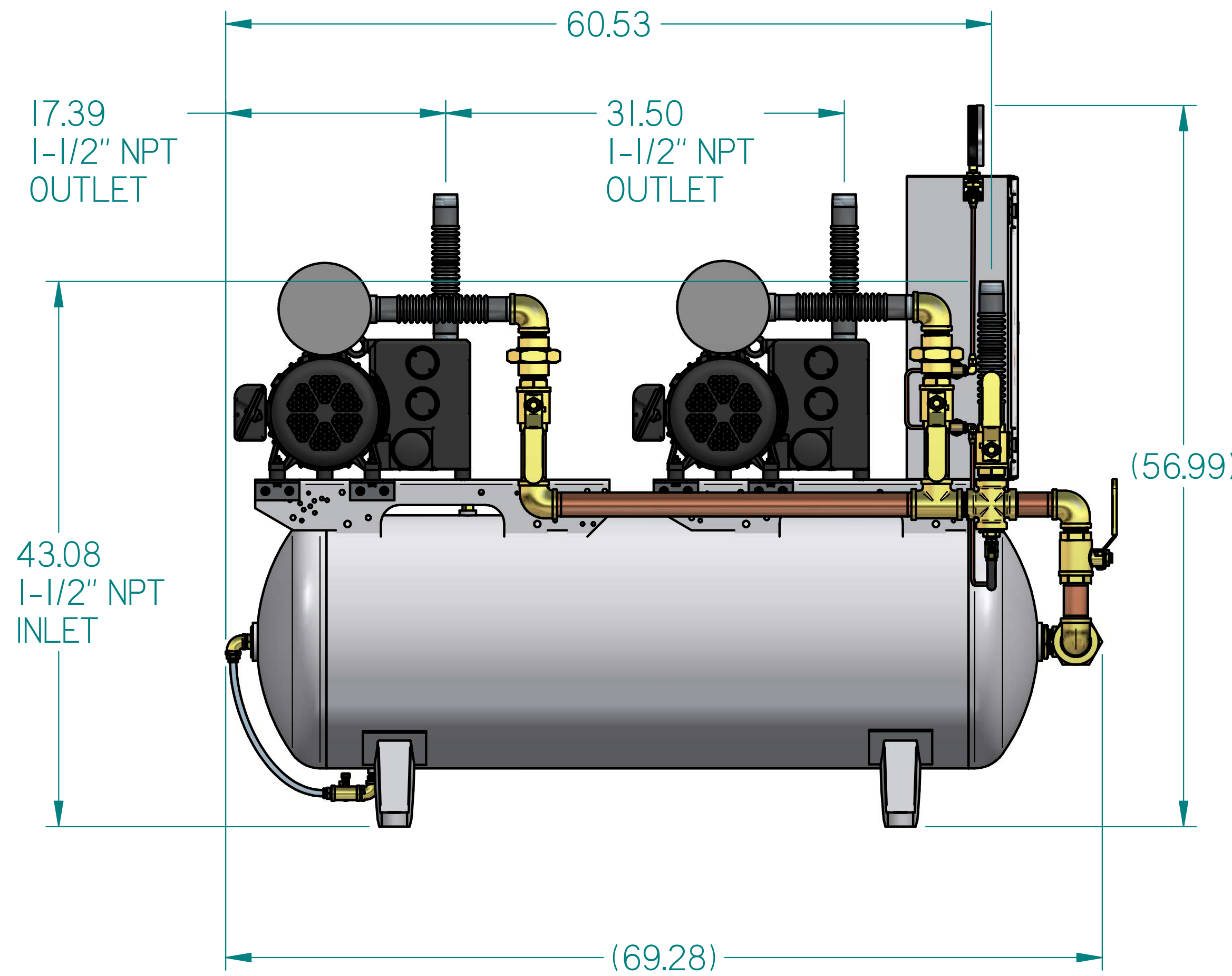
VTD0303KI

3HP VACUUM 80GAL.
DUPLEX

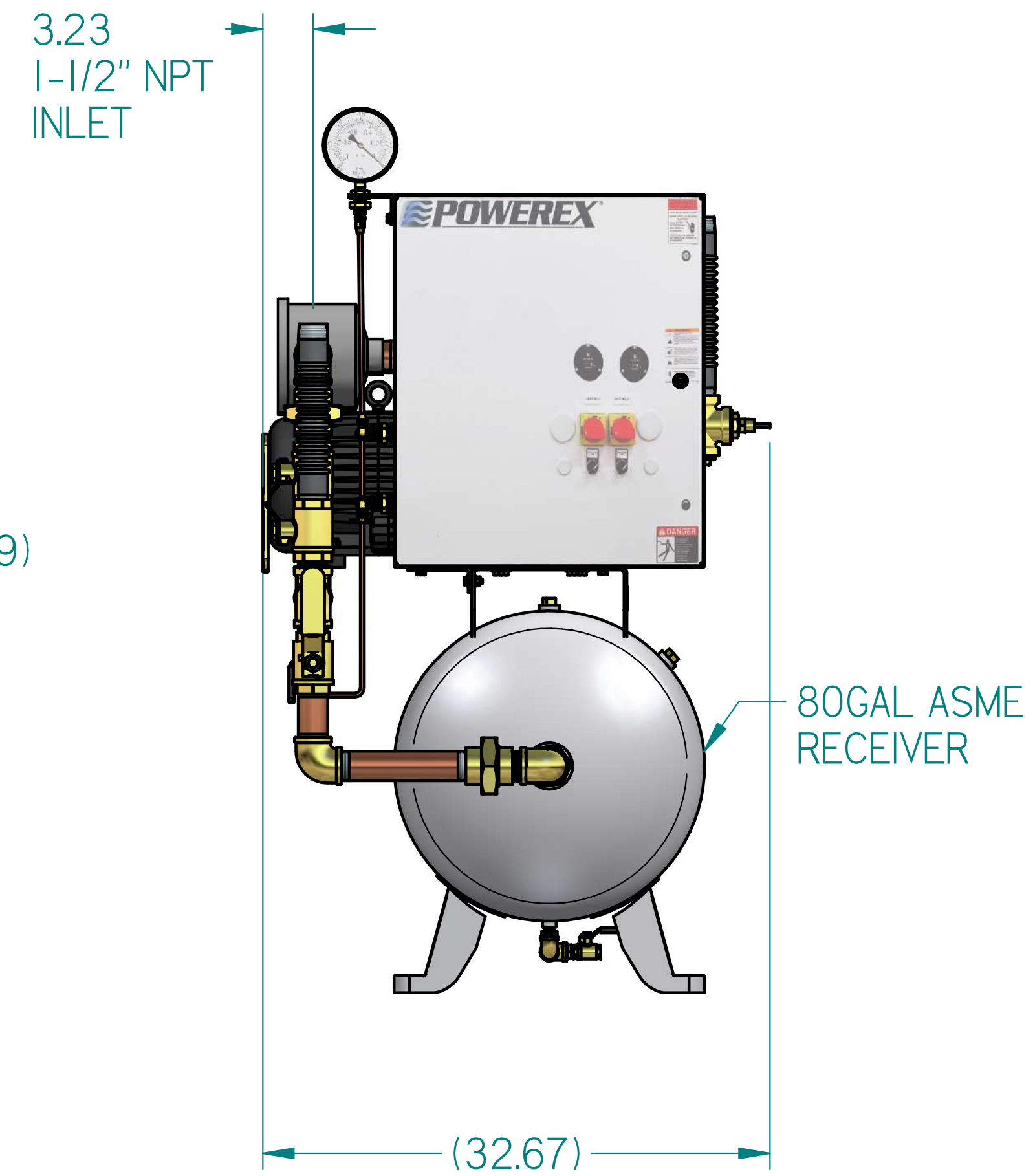
REVISION NOTES		
DESCRIPTION	ECN	PR/NOR
3D RELEASE	PXEC026I	N/A



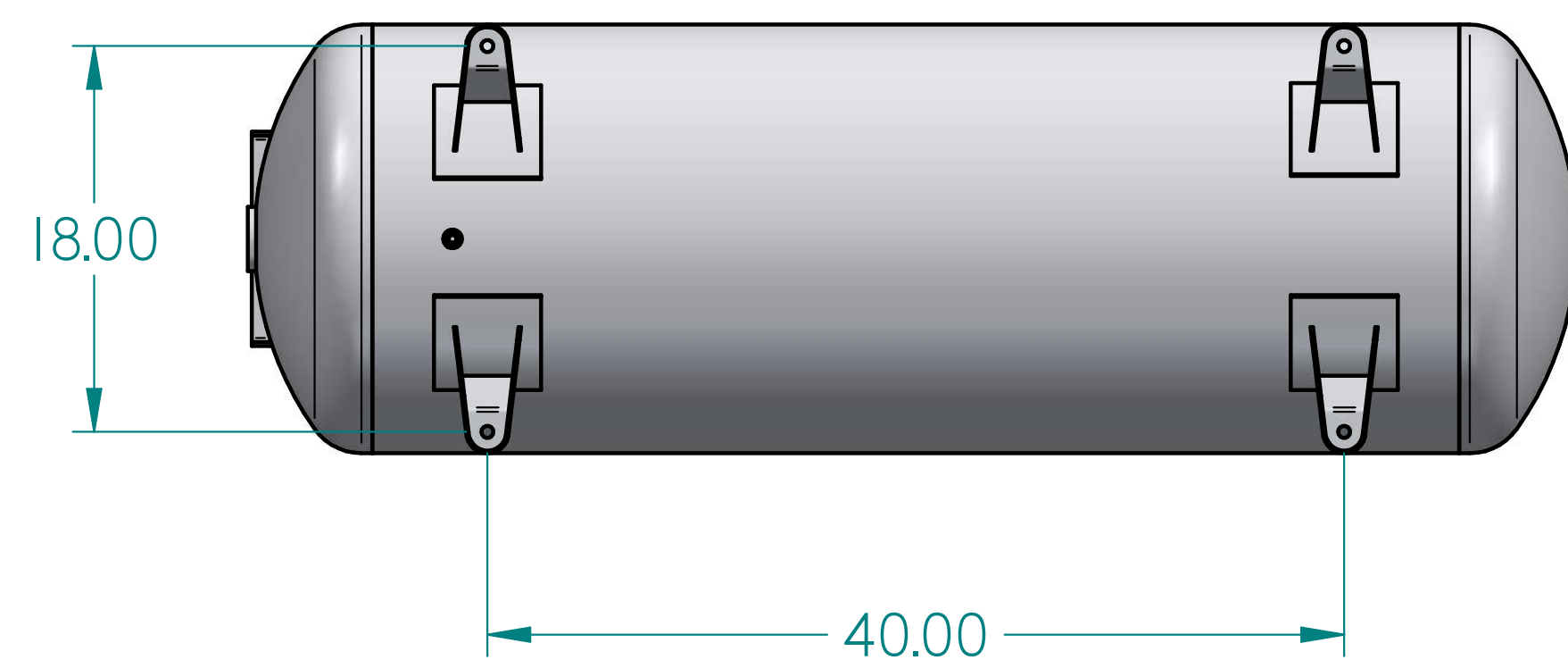
LEFT VIEW



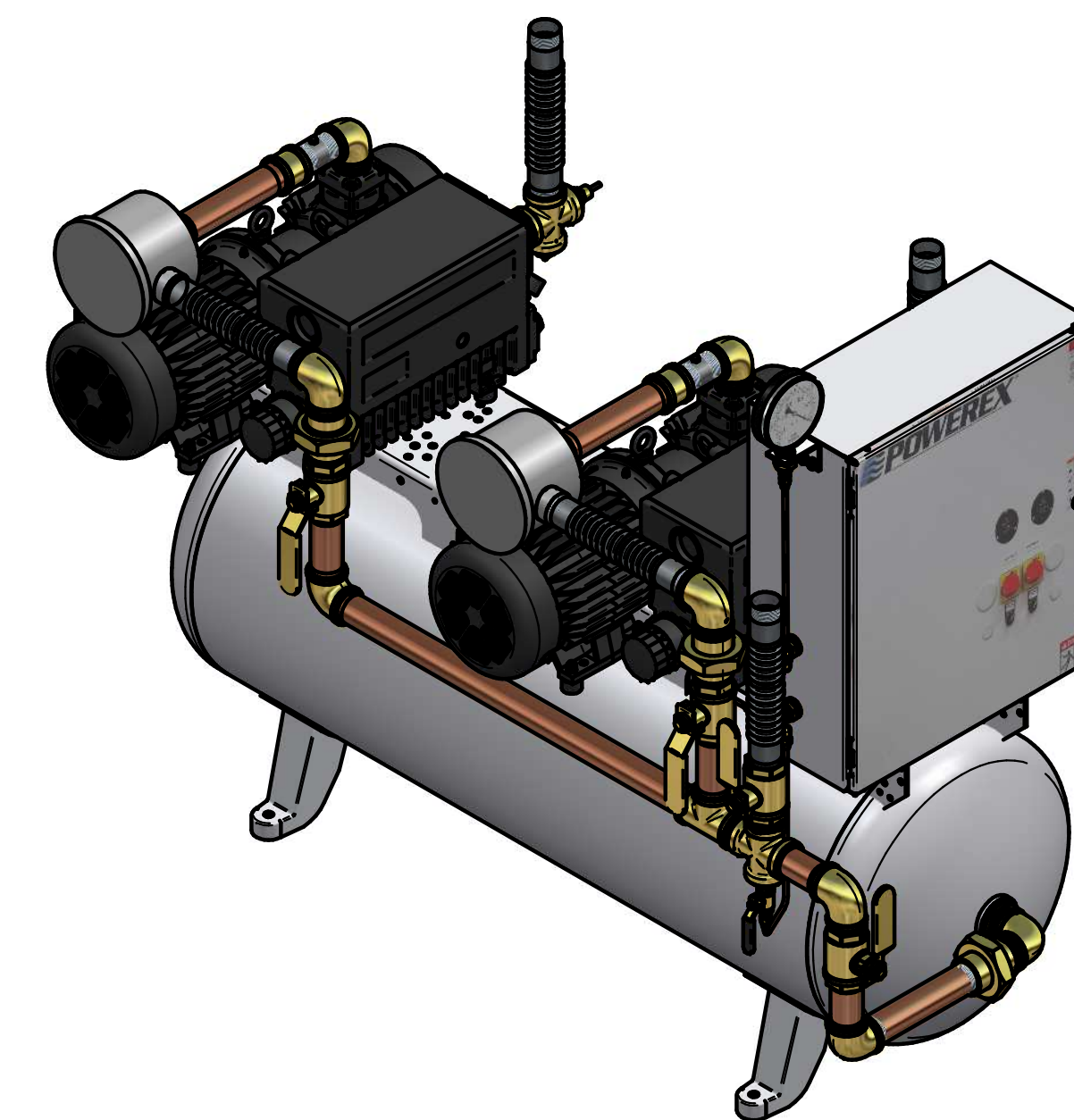
FRONT VIEW



RIGHT VIEW



BOTTOM VIEW



ISO VIEW

- NOTES:
- APPROXIMATE WEIGHT: 727 lbm
 - A MINIMUM OF 24" CLEARANCE IS RECOMMENDED AROUND THE ENTIRE UNIT. CLEARANCE FOR CONTROL PANEL SHALL BE IN ACCORDANCE WITH OSHA/NEC REQUIREMENTS.
 - SYSTEM DESIGNED IN COMPLIANCE WITH U.S. NFPA '99, LATEST EDITION.

SYMBOL LEGEND		DRAWINGS TO CONFORM TO CURRENT REVISION OF THE FOLLOWING ANSI STANDARDS:	
		Y14.3 MULTI AND SECTIONAL VIEW DWGS	
		Y14.5 DIMENSIONING AND TOLERANCING	
TOLERANCES NOT SPECIFIED	SOLID EDGE DRAWING	DO NOT SCALE DRAWING FOR DIMENSIONS	
0.00X ± .005		SHEET 1 OF 2	SCALE 1:10
0.00X ± .005	INCH		
CONFIDENTIAL DISCLOSURE: This drawing is the property of POWEREX or the SCOTT FETTER COMPANY and is subject to return on demand. Its contents are confidential and must not be copied or submitted to outside parties for use or examination.		AUTHOR	APPROVALS ON FILE IN PLM
		TATA	10-01-2019
ITEM ID		POWEREX	
MATERIAL		ISO PRODUCTION DRIVE, HARRISON OH 45030 ISS: 7/20-7079	
DESCRIPTION		DRAWING NUMBER	REVISION
3HP VACUUM 80GAL. DUPLEX		VTD0303KI	
			SIZE D

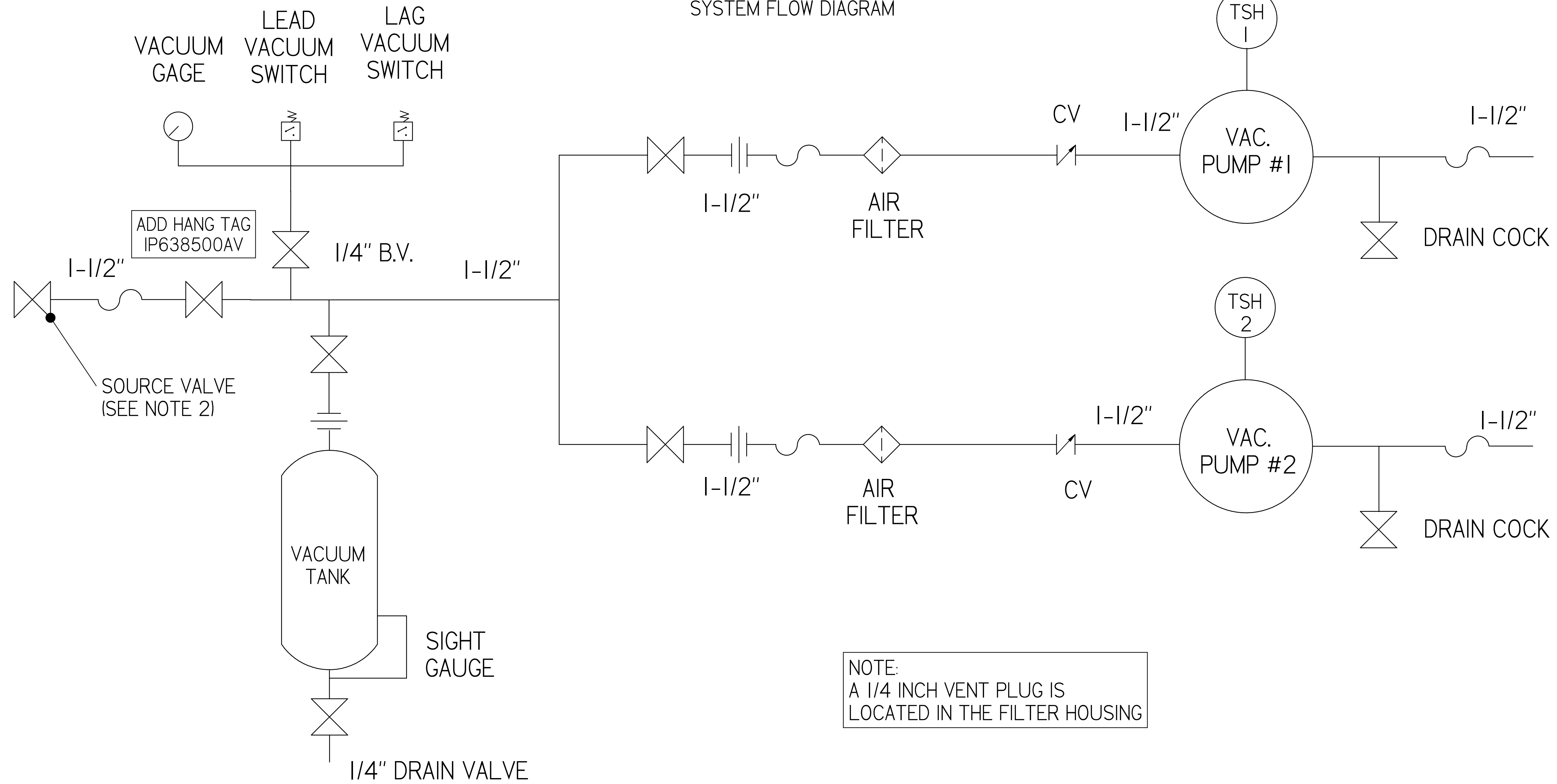


VTD0303KI

3HP VACUUM 80GAL. DUPLEX

SYSTEM FLOW DIAGRAM

REVISION NOTES		
DESCRIPTION	ECN	PR/NOR
3D RELEASE	PXECO26I	N/A



NOTE:
A 1/4 INCH VENT PLUG IS
LOCATED IN THE FILTER HOUSING

LEGEND

	TEMP. SWITCH		VACUUM SWITCH
	AIR FILTER		CHECK VALVE
	BALL VALVE		FLEX LINE
			UNION

NOTES:
1) TSH - TEMPERATURE SWITCH HIGH
2) PER NFPA THE SYSTEM WILL REQUIRE A SOURCE VALVE (SUPPLIED BY OTHERS)

SYMBOL LEGEND		DRAWINGS TO CONFORM TO CURRENT REVISION OF THE FOLLOWING ANSI STANDARDS:		
TOLERANCES NOT SPECIFIED:		1:4:3 MULTI AND SECTIONAL VIEW DWGS		
0.00X ± .005		1:4:5 DIMENSIONING AND TOLERANCING		
0.00X ± .005		INCH		
SOLID EDGE DRAWING		DO NOT SCALE DRAWING FOR DIMENSIONS		
CONFIDENTIAL DISCLOSURE		SHEET 2 OF 2		
This drawing is the property of POWEREX of the SCOTT FETTER COMPANY and is subject to return on demand. Its contents are confidential and must not be copied or submitted to outside parties for use or examination.		SCALE 1:1		
MATERIAL		APPROVALS ON FILE IN PLM		
---		TATA 10-01-2019		
DESCRIPTION		DRAWING NUMBER		
3HP VACUUM 80GAL. DUPLEX		VTD0303KI		
---		REVISION		
---		SIZE		
---		D		

POWEREX