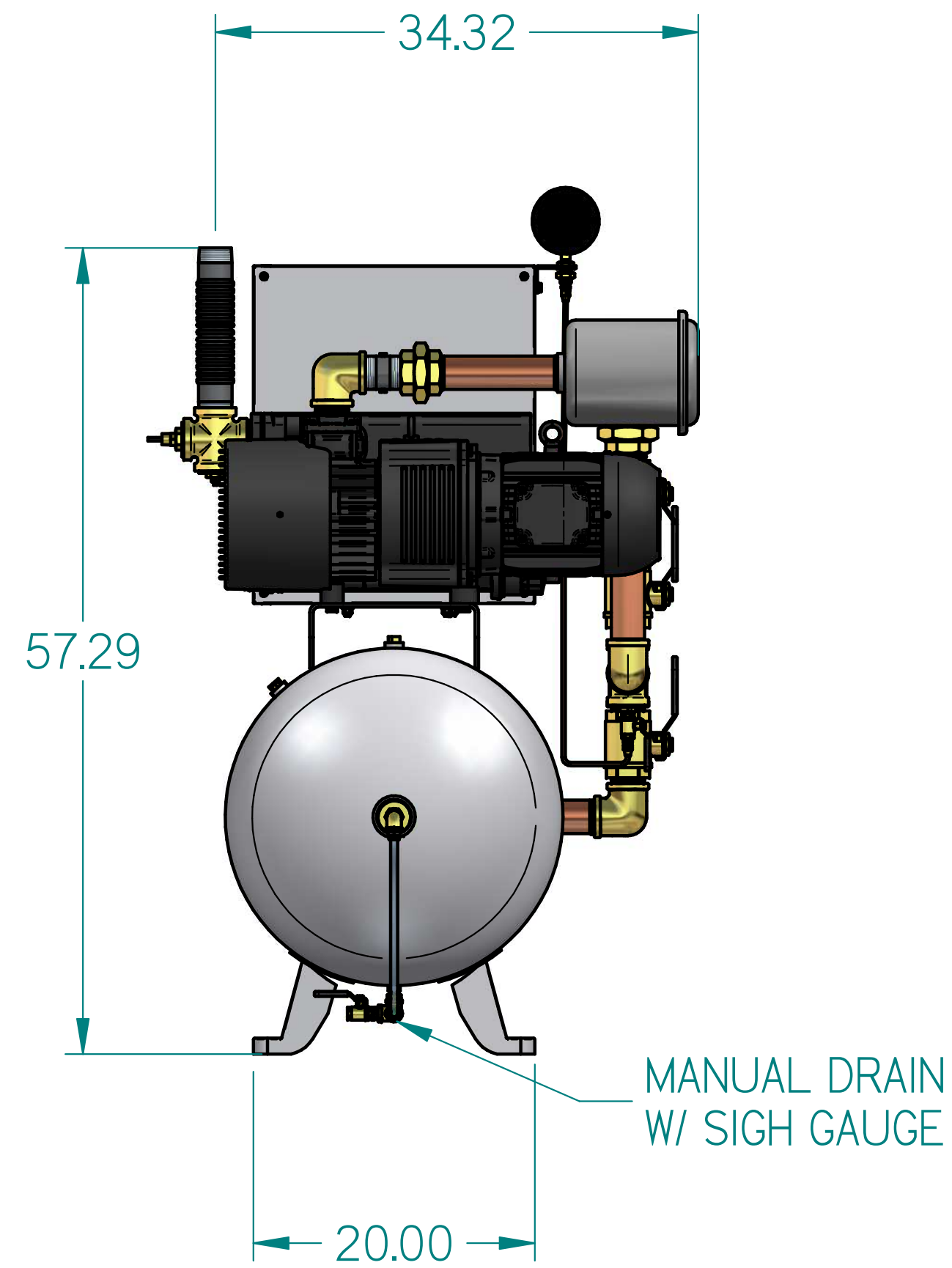


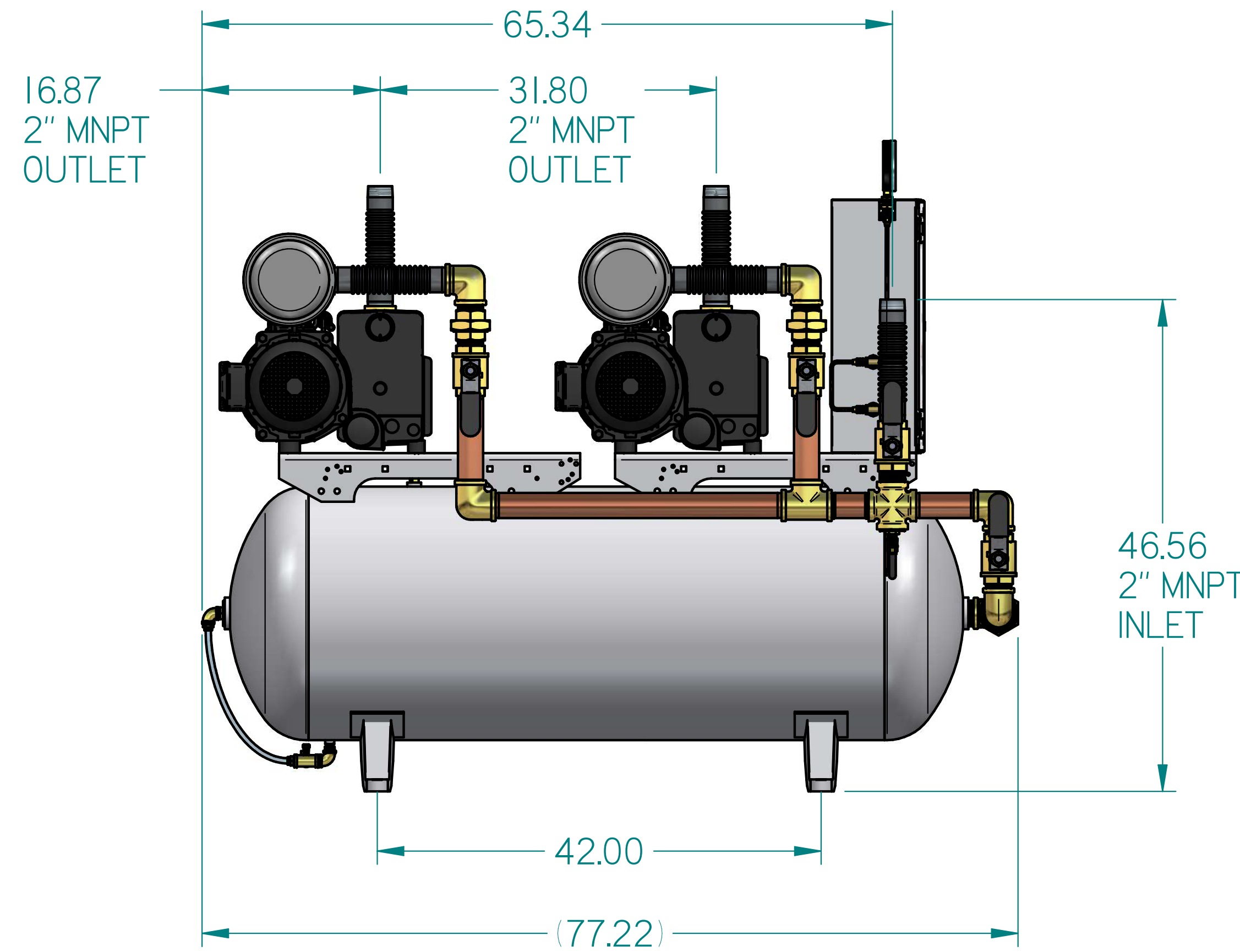
VTD0504KI

5HP VACUUM DUPLEX
120GAL TANKMOUNT

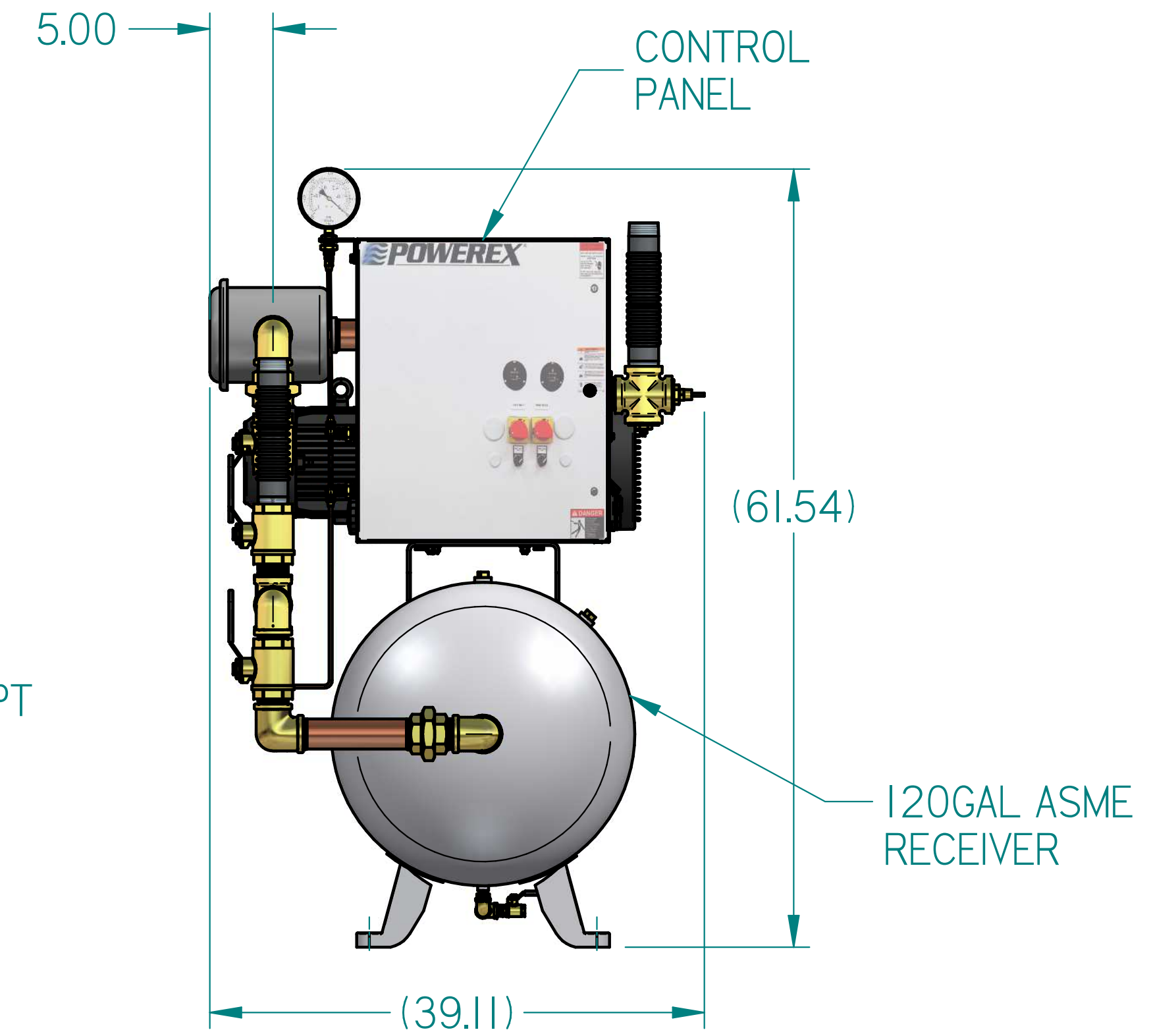
REVISION NOTES		
DESCRIPTION	ECN	PR/NOR
3D RELEASE	PXEC026I	N/A



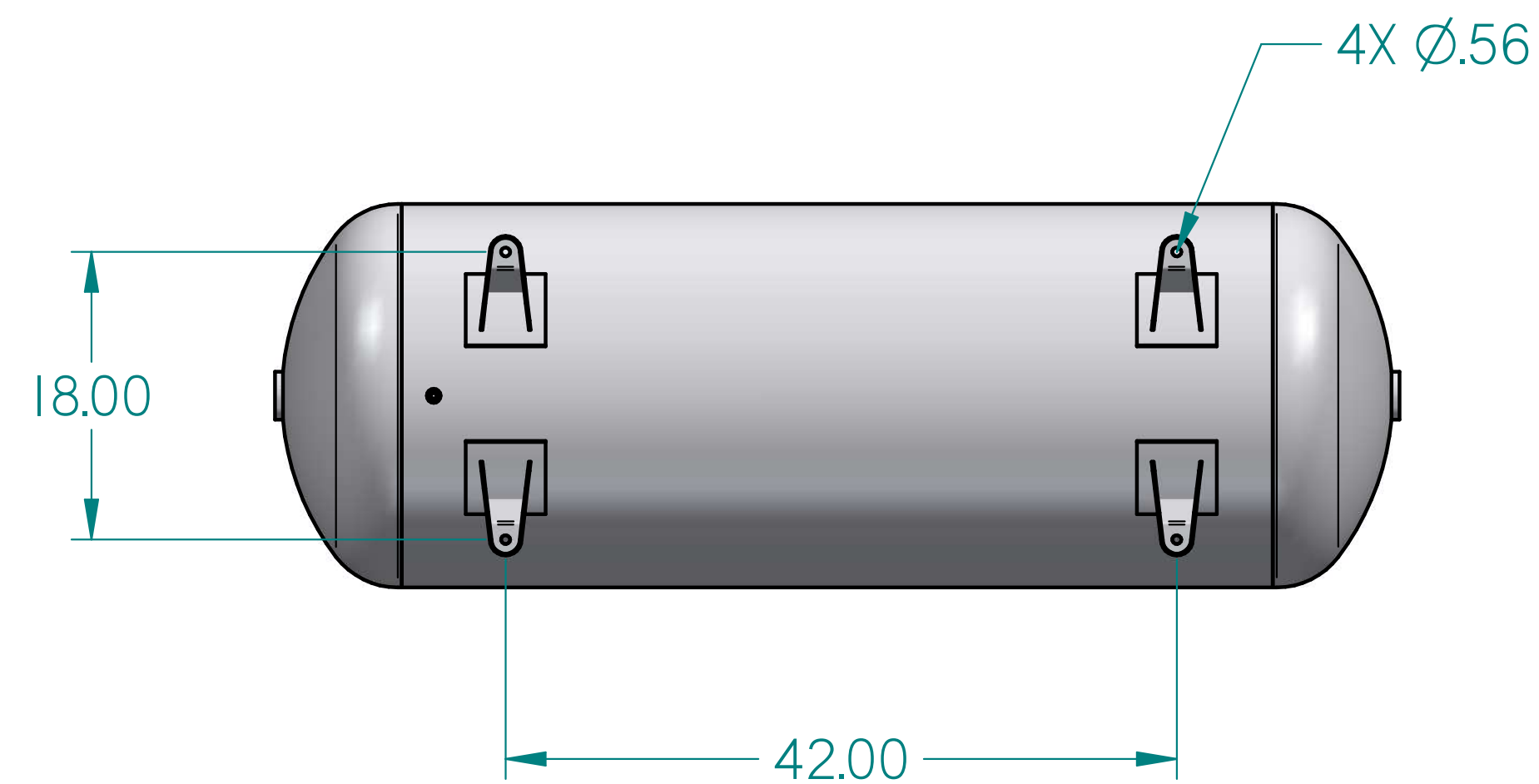
LEFT VIEW



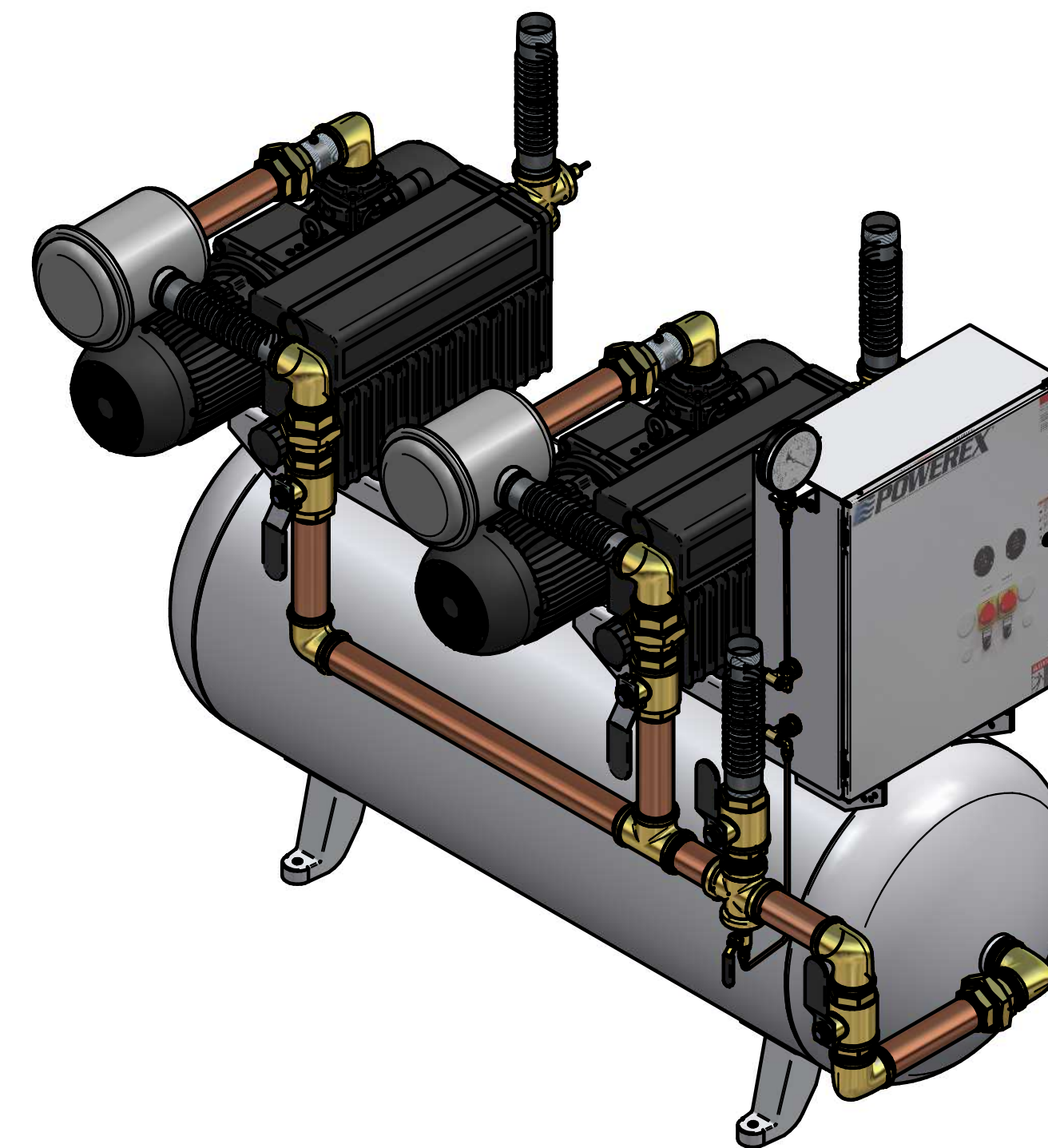
FRONT VIEW



RIGHT VIEW



BOTTOM VIEW



ISO VIEW

- NOTES
1. APPROXIMATE WEIGHT: 1069 lbm
 2. A MINIMUM OF 24" CLEARANCE IS RECOMMENDED AROUND THE ENTIRE UNIT. CLEARANCE FOR CONTROL PANEL SHALL BE IN ACCORDANCE WITH OSHA/NEC REQUIREMENTS.
 3. SYSTEM DESIGNED IN COMPLIANCE WITH U.S. NFPA '99, LATEST EDITION.

SYMBOL LEGEND		DRAWINGS TO CONFORM TO CURRENT REVISION OF THE FOLLOWING ANSI STANDARDS:	
		#14.3 MULTI AND SECTIONAL VIEW DWGS	
		#14.5 DIMENSIONING AND TOLERANCING	
TOLERANCES NOT SPECIFIED:	SOLID EDGE DRAWING	DO NOT SCALE DRAWING FOR DIMENSIONS	
0.00X ± .005	INCH	SHEET 1 OF 2	SCALE 1:10
0.000X ± .002	INCH	APPROVALS ON FILE IN PLM	
CONFIDENTIAL DISCLOSURE: This drawing is the property of POWEREX or the SCOTT FETTER COMPANY and is subject to return on demand. Its contents are confidential and must not be copied or submitted to outside parties for use or examination.		AUTHOR	ORIGINATION DATE
		TATA	10-01-2019
ITEM ID	POWEREX		
MATERIAL	ISO PRODUCTION DRIVE, HARRISON OH 45030 ISS: 7/26/2019		
DESCRIPTION	DRAWING NUMBER	REVISION	SIZE
5HP VACUUM DUPLEX 120GAL TANKMOUNT	VTD0504KI		D

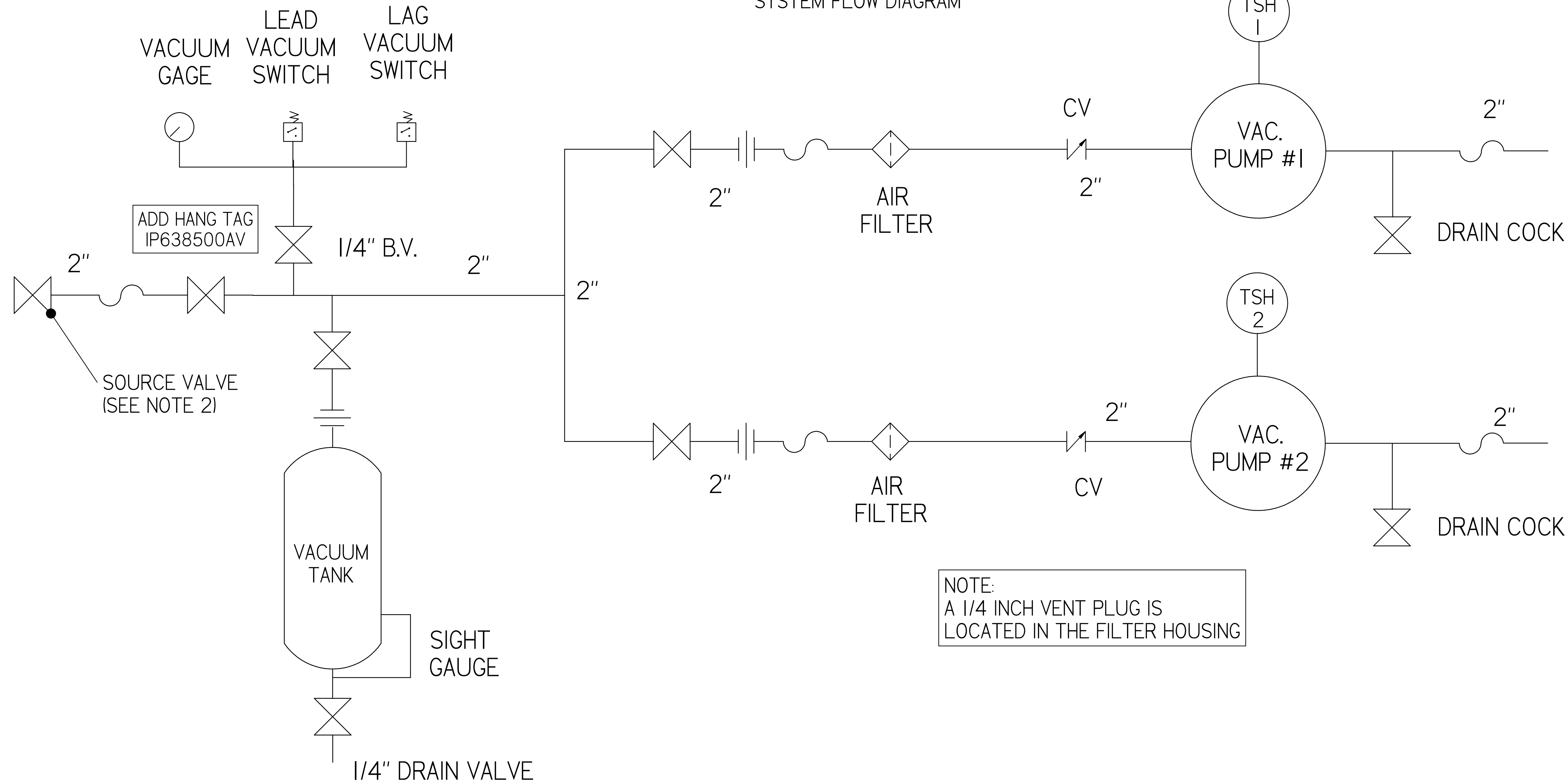


VTD0504KI

5HP VACUUM DUPLEX
120GAL TANKMOUNT

SYSTEM FLOW DIAGRAM

REVISION NOTES		
DESCRIPTION	ECN	PR/NOR
3D RELEASE	PXECO26I	N/A



NOTE:
A 1/4 INCH VENT PLUG IS
LOCATED IN THE FILTER HOUSING

LEGEND

	TEMP. SWITCH		VACUUM SWITCH
	AIR FILTER		CHECK VALVE
	BALL VALVE		FLEX LINE
			UNION

- NOTES:
1) TSH - TEMPERATURE SWITCH HIGH
2) PER NFPA THE SYSTEM WILL REQUIRE A SOURCE VALVE (SUPPLIED BY OTHERS)



SYMBOL LEGEND		DRAWINGS TO CONFORM TO CURRENT REVISION OF THE FOLLOWING ANSI STANDARDS: #14.3 MULTI AND SECTIONAL VIEW DWGS #14.5 DIMENSIONING AND TOLERANCING	
TOLERANCES NOT SPECIFIED	SOLID EDGE DRAWING	DO NOT SCALE DRAWING FOR DIMENSIONS	
0.00X ± .005	INCH	SHEET 2 OF 2	SCALE 1:1
CONFIDENTIAL DISCLOSURE This drawing is the property of POWEREX of the SCOTT FETTER COMPANY and is subject to return on demand. Its contents are confidential and must not be copied or submitted to outside parties for use or examination.		AUTHOR	APPROVALS ON FILE IN PLM
MATERIAL		TATA	10-01-2019
DESCRIPTION 5HP VACUUM DUPLEX 120GAL TANKMOUNT		DRAWING NUMBER VTD0504KI	SIZE D