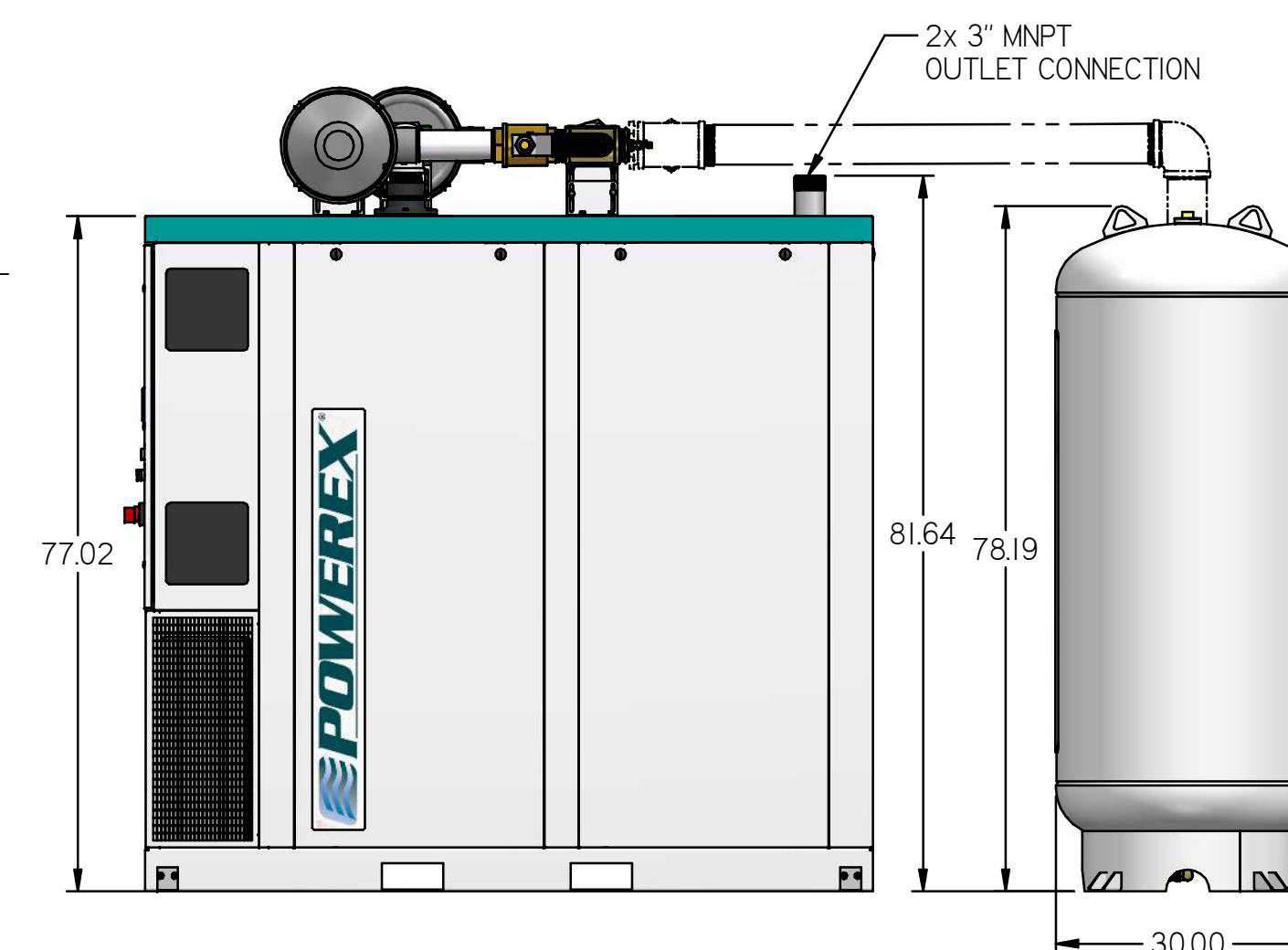
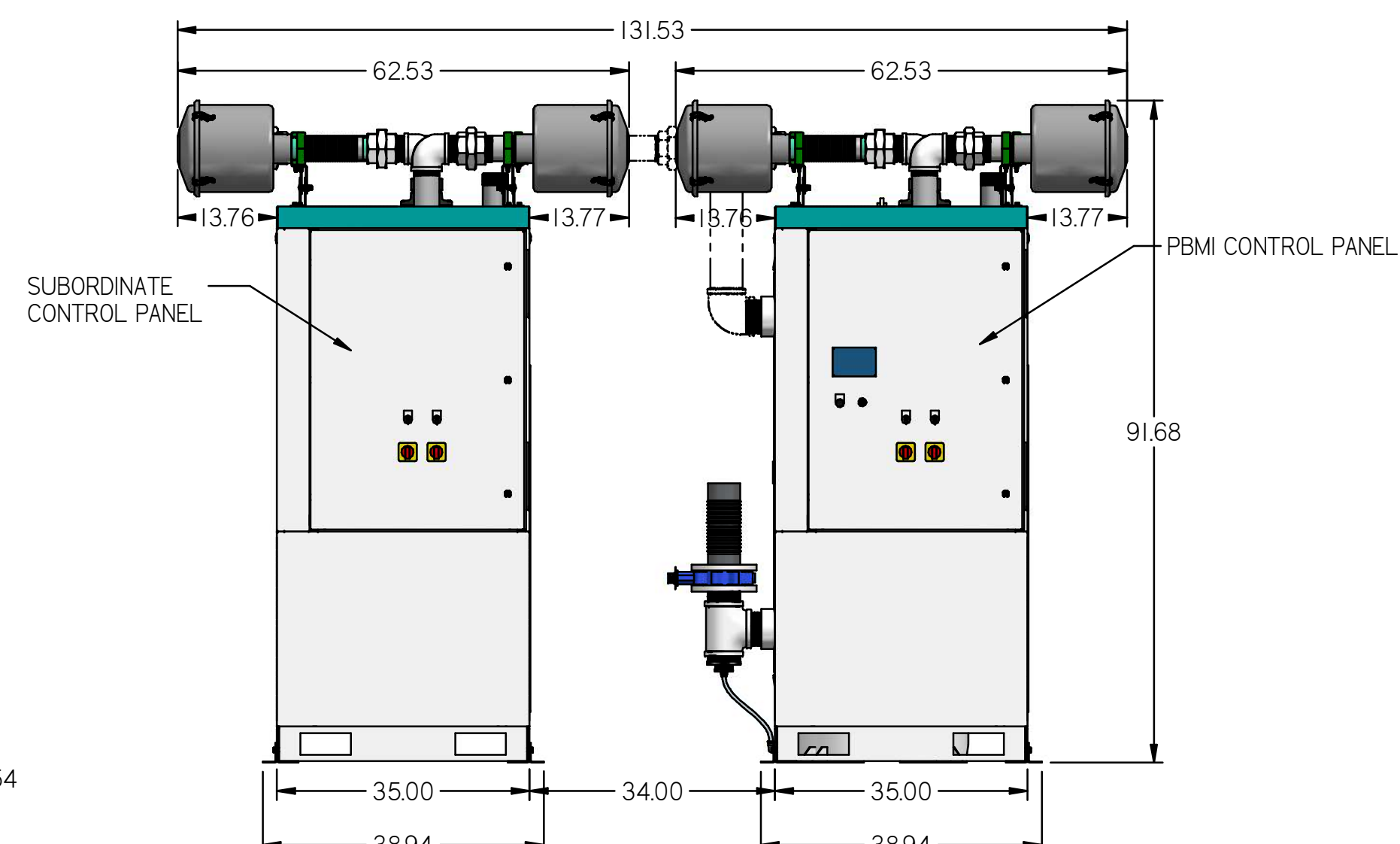
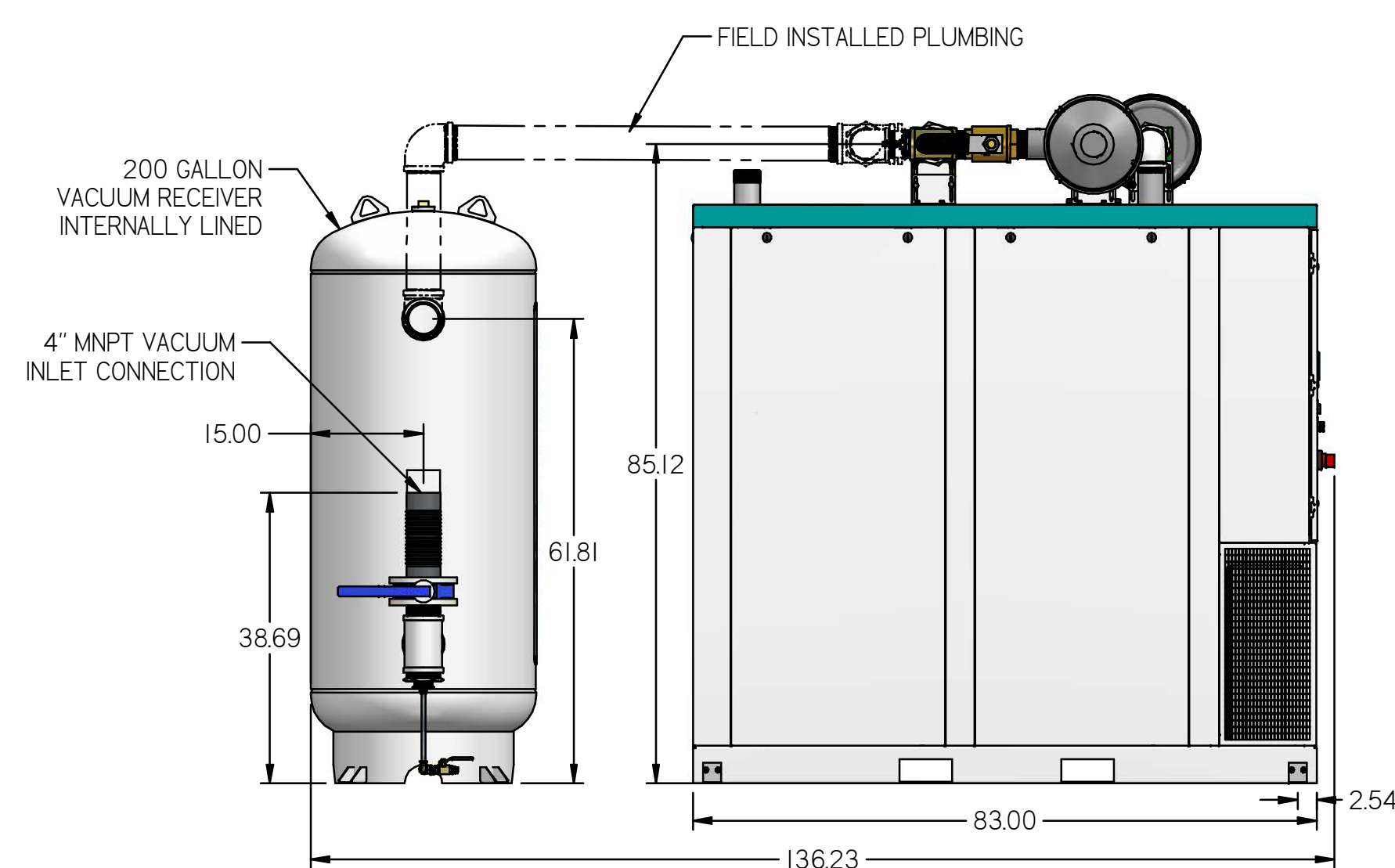
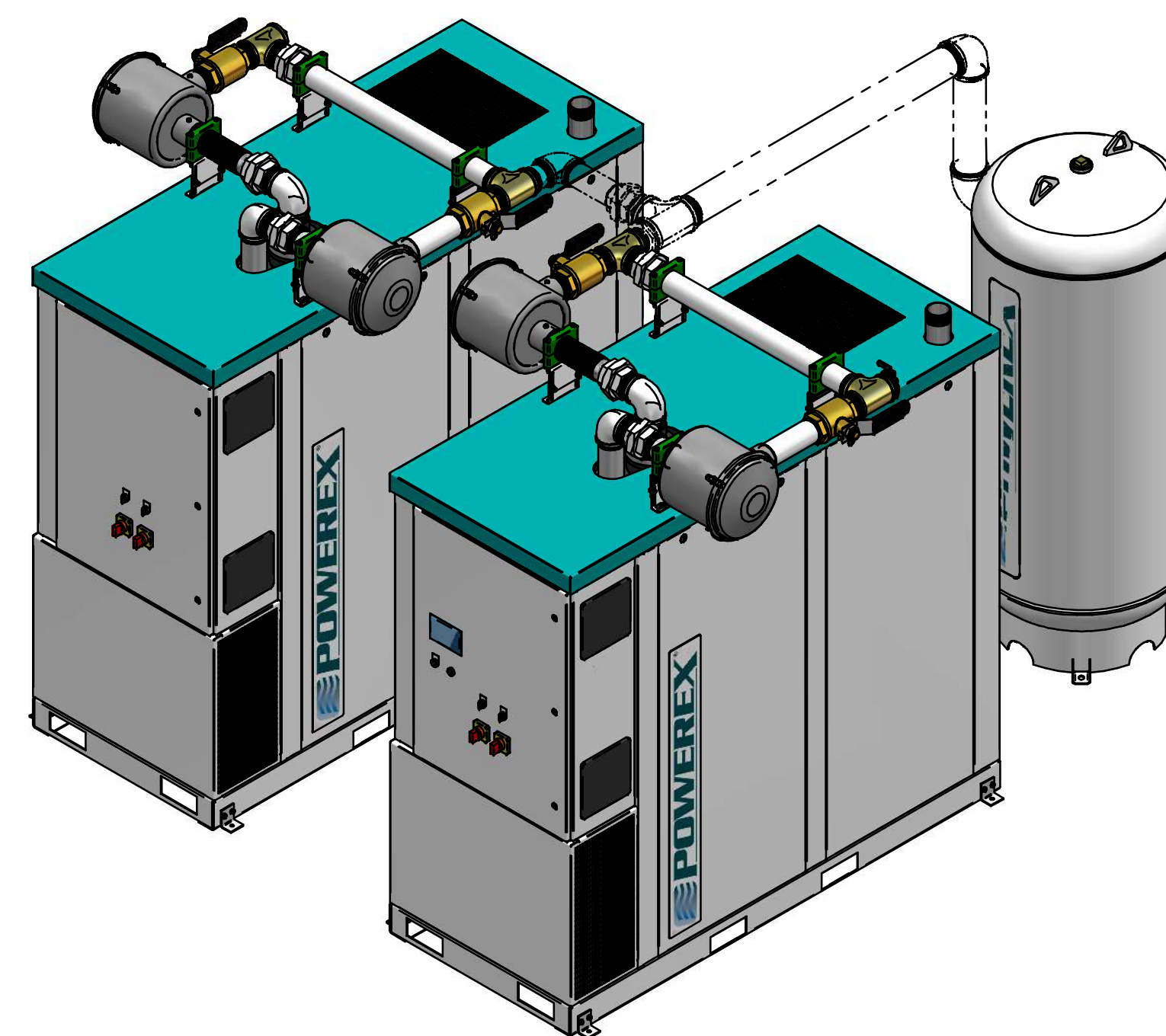
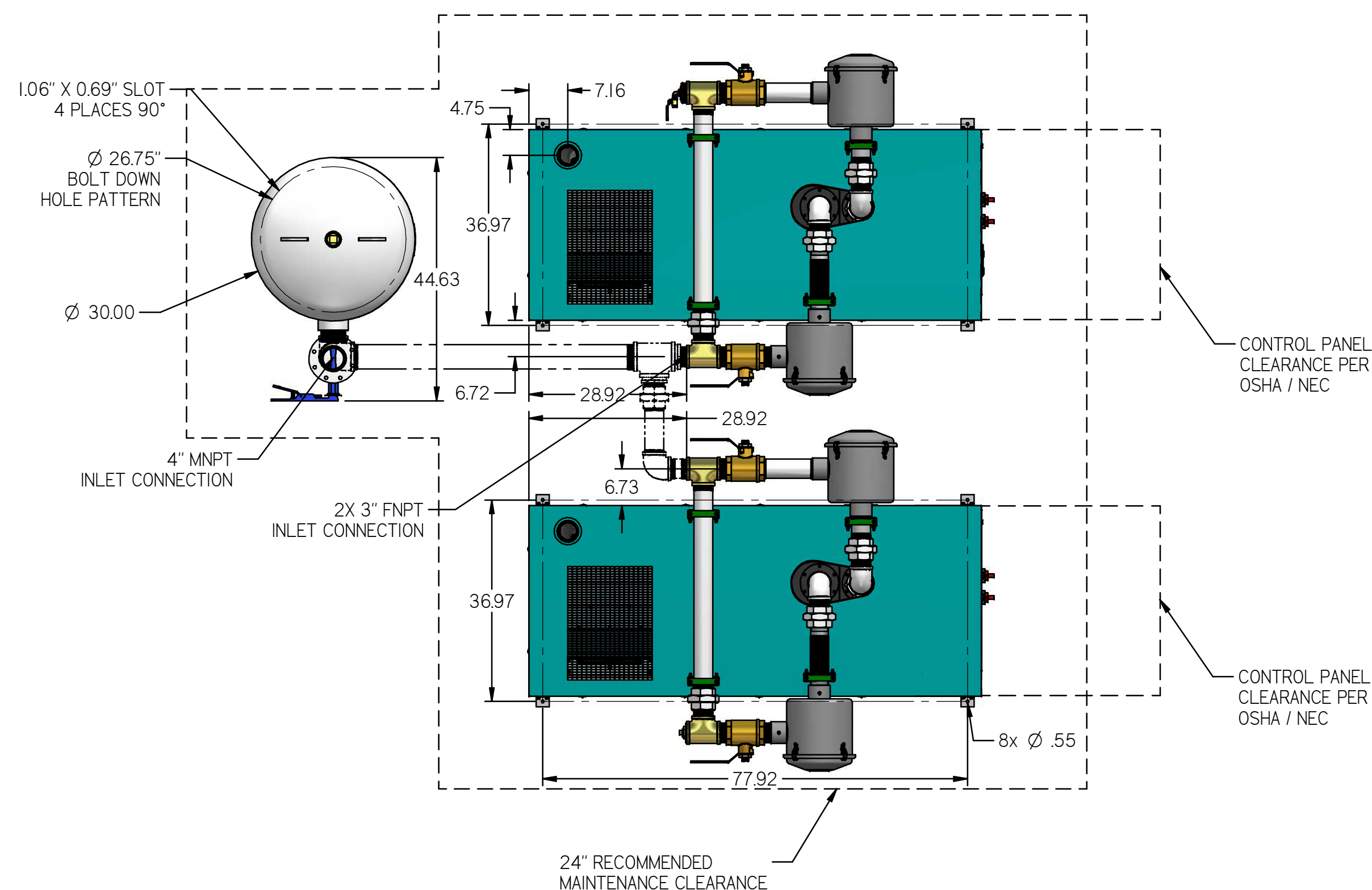


LCEQ1505

LAB CLAW ENCLOSED QUADPLEX 15 HP 200 GAL

REVISION NOTES		
DESCRIPTION	ECN	PR/NOR
RELEASE TO PRODUCTION	PXEC0099	N/A



- NOTES:
 1) APPROX SYSTEM WEIGHT: 9434 LB
 2) FINAL SYSTEM DIMENSIONS DEPENDENT UPON INSTALLATION CONFIGURATION. MAINTENANCE CLEARANCE MUST BE MAINTAINED IN INSTALLATION CONFIGURATION.
 3) SHEET 1: UNIT BUILD
 4) SHEET 2: FLOW SCHEMATIC

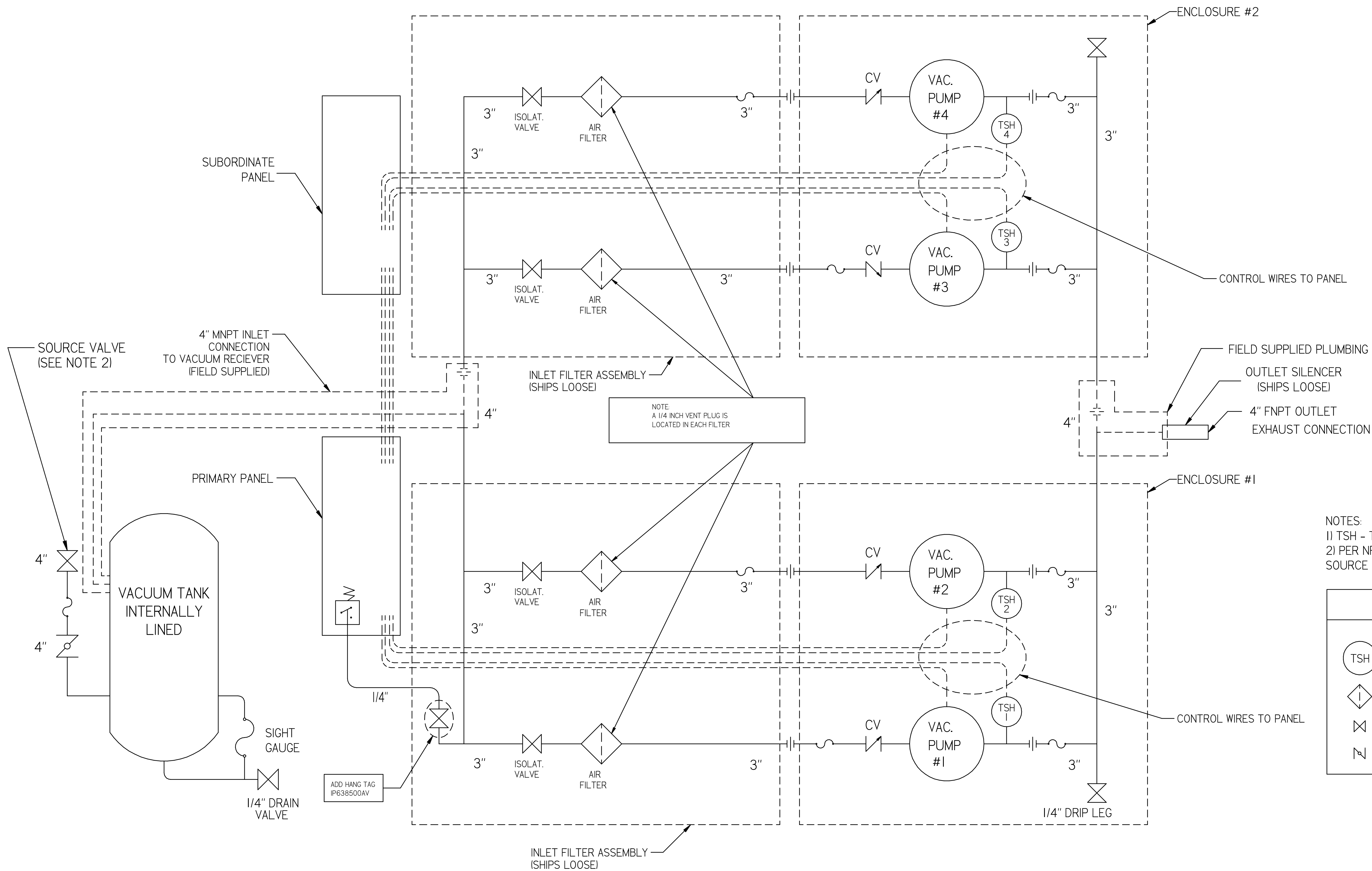
SYMBOL LEGEND		DRAWINGS TO CONFORM TO CURRENT REVISION OF THE FOLLOWING ANSI STANDARDS:	
		Y14.3 MULTI AND SECTIONAL VIEW DWGS	
		Y14.5 DIMENSIONING AND TOLERANCING	
TOLERANCES NOT SPECIFIED:	SOLID EDGE DRAWING	DO NOT SCALE DRAWING FOR DIMENSIONS	
0.XXX ± 0.010	INCH	SHEET 1 OF 2	SCALE 1:20
0.XXX ± 0.050			
± 0.5			
CONFIDENTIAL DISCLOSURE This drawing is the property of POWEREX of the SCOTT FETTER COMPANY and is subject to return on demand. Its contents are confidential and must not be copied or submitted to outside parties for use or examination.		AUTHOR	APPROVALS ON FILE IN PLM
DRAWING NUMBER: LCEQ1505		ORIGINATION DATE: 1/18/19	
DRAWING NUMBER: LCEQ1505		REVISION: B	SIZE: D



LCEQ1505

LAB CLAW ENCLOSED QUADPLEX 15 HP 200 GAL

REVISION NOTES		
DESCRIPTION	ECN	PR/NOR
RELEASE TO PRODUCTION	PXEC0099	N/A



- NOTES:
- 1) TSH - TEMPERATURE SWITCH HIGH
 - 2) PER NFPA THE SYSTEM WILL REQUIRE A SOURCE VALVE (SUPPLIED BY OTHERS).

LEGEND	
(TSH)	TEMP. SWITCH
◇	AIR FILTER
⊗	BALL VALVE
⊘	BUTTERFLY BALL VALVE
⊞	VACUUM TRANSDUCER
↗	CHECK VALVE
~	FLEX LINE
- -	UNION

SYMBOL LEGEND	DRAWINGS TO CONFORM TO CURRENT REVISION OF THE FOLLOWING ANSI STANDARDS: #14.3 MULTI AND SECTIONAL VIEW DWGS #14.5 DIMENSIONING AND TOLERANCING		
TOLERANCES NOT SPECIFIED: 0.001 ± 0.010 0.005 ± 0.050 0.010 ± 0.010	SOLID EDGE DRAWING	DO NOT SCALE DRAWING FOR DIMENSIONS	
SHEET 2 OF 2		SCALE	I:1
CONFIDENTIAL DISCLOSURE This drawing is the property of POWEREX or the SCOTT FETTER COMPANY and is subject to return on demand. Its contents are confidential and must not be copied or submitted to outside parties for use or examination.		AUTHOR	APPROVALS ON FILE IN PLM
DRAWING NUMBER 718827	ORIGINATION DATE	gseaver 1/18/19	
MATERIAL N/A			
DESCRIPTION LAB CLAW ENCLOSED QUADPLEX 15 HP 200 GAL	DRAWING NUMBER LCEQ1505	REVISION B	SIZE D