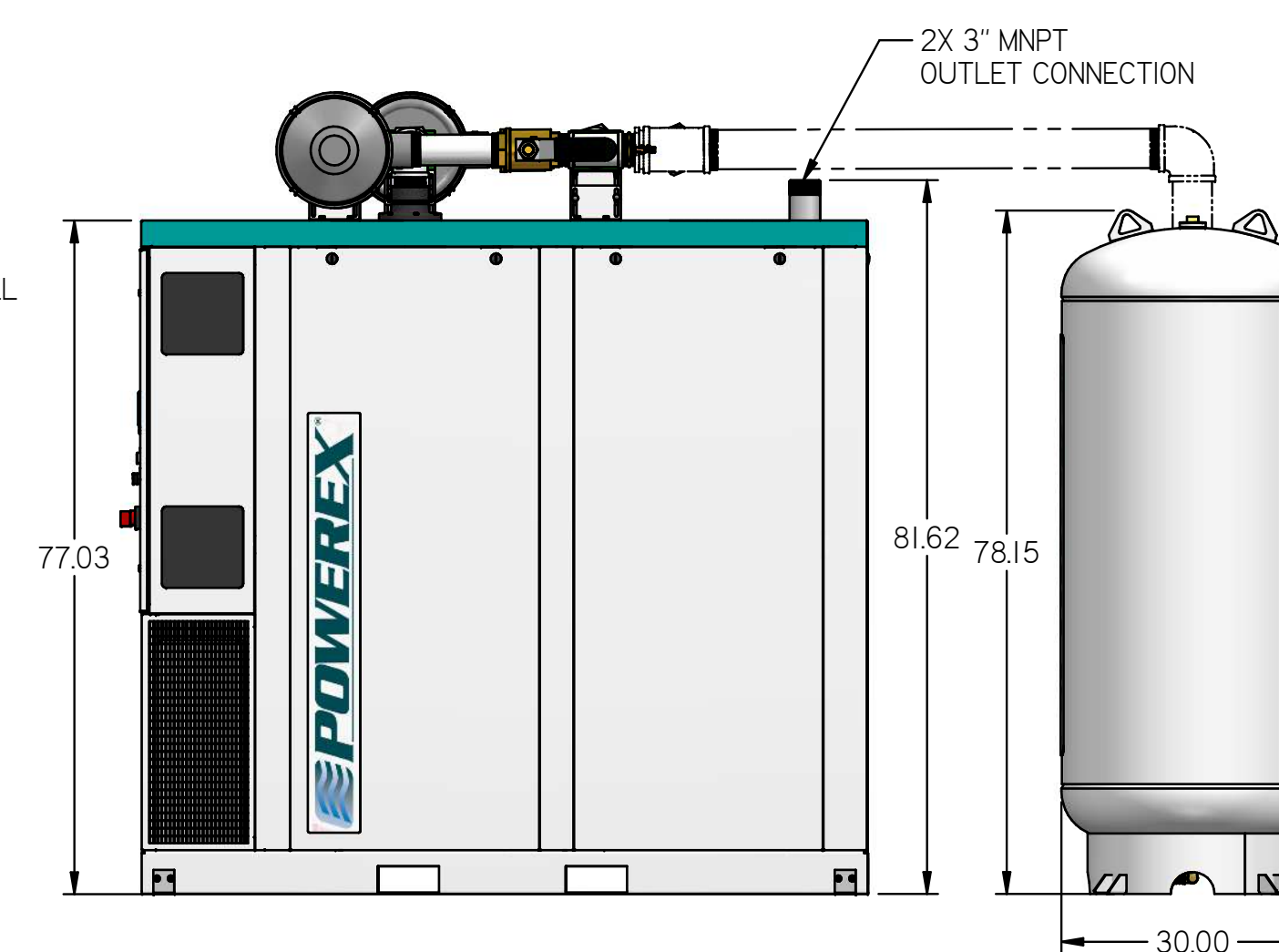
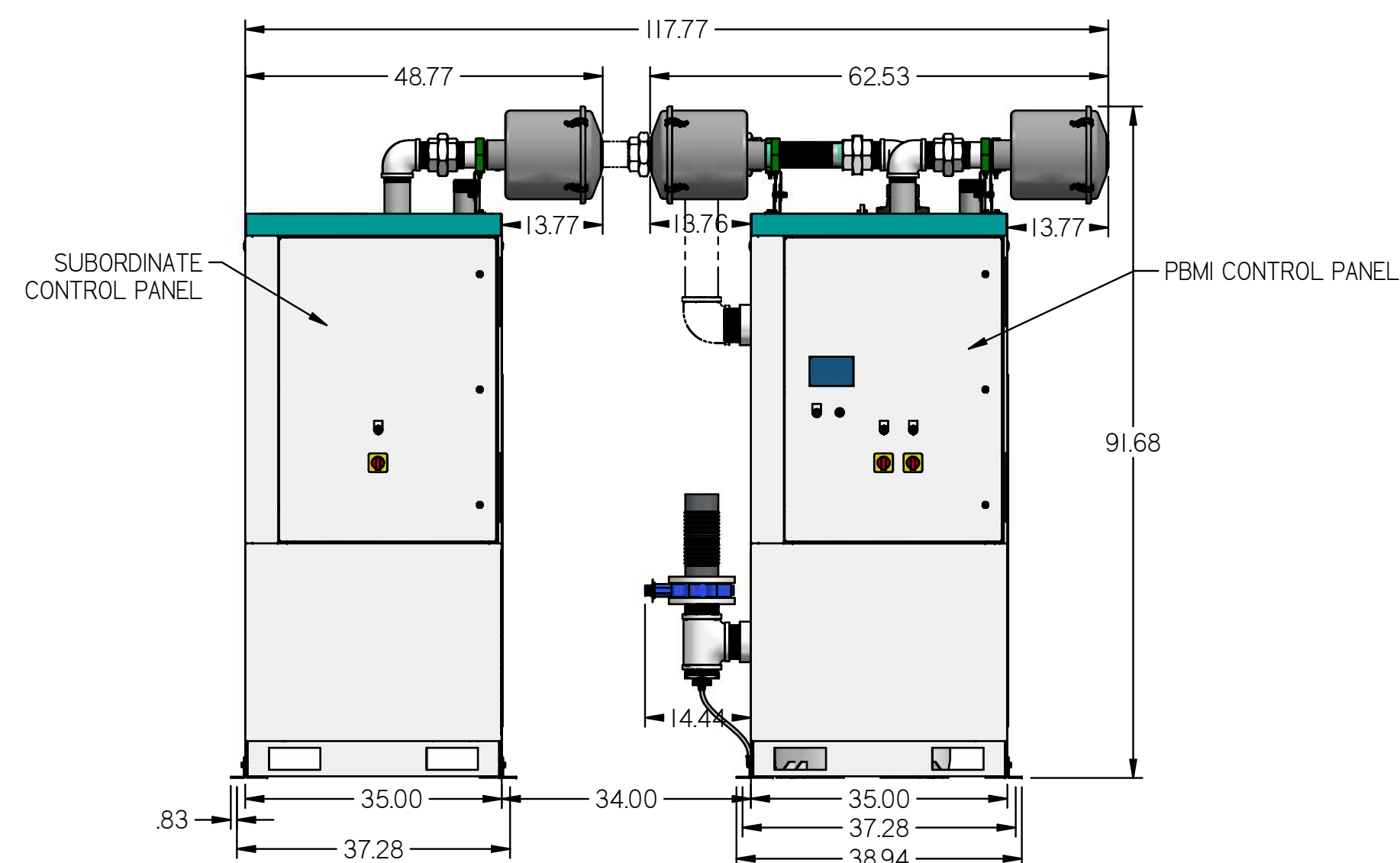
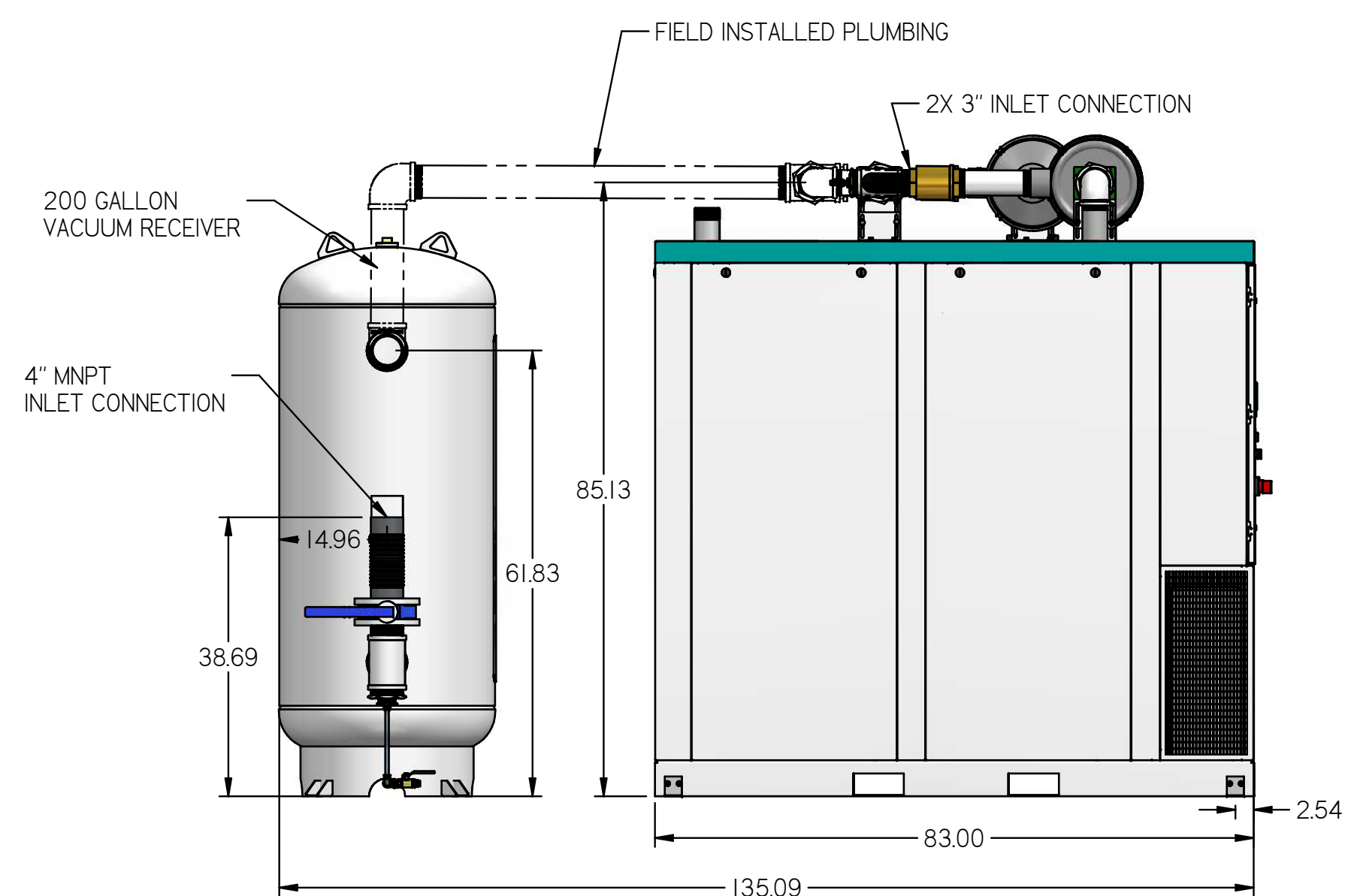
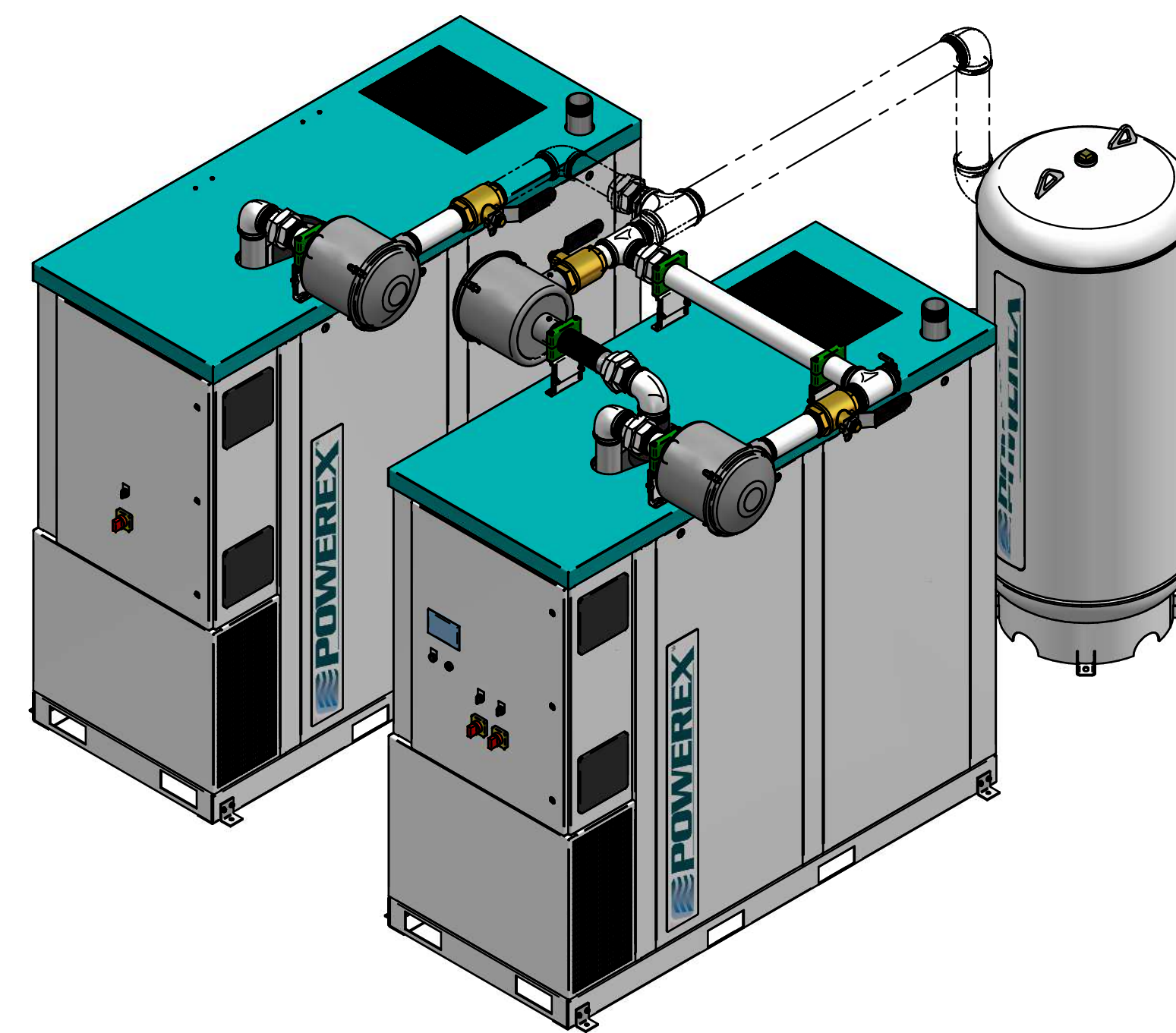
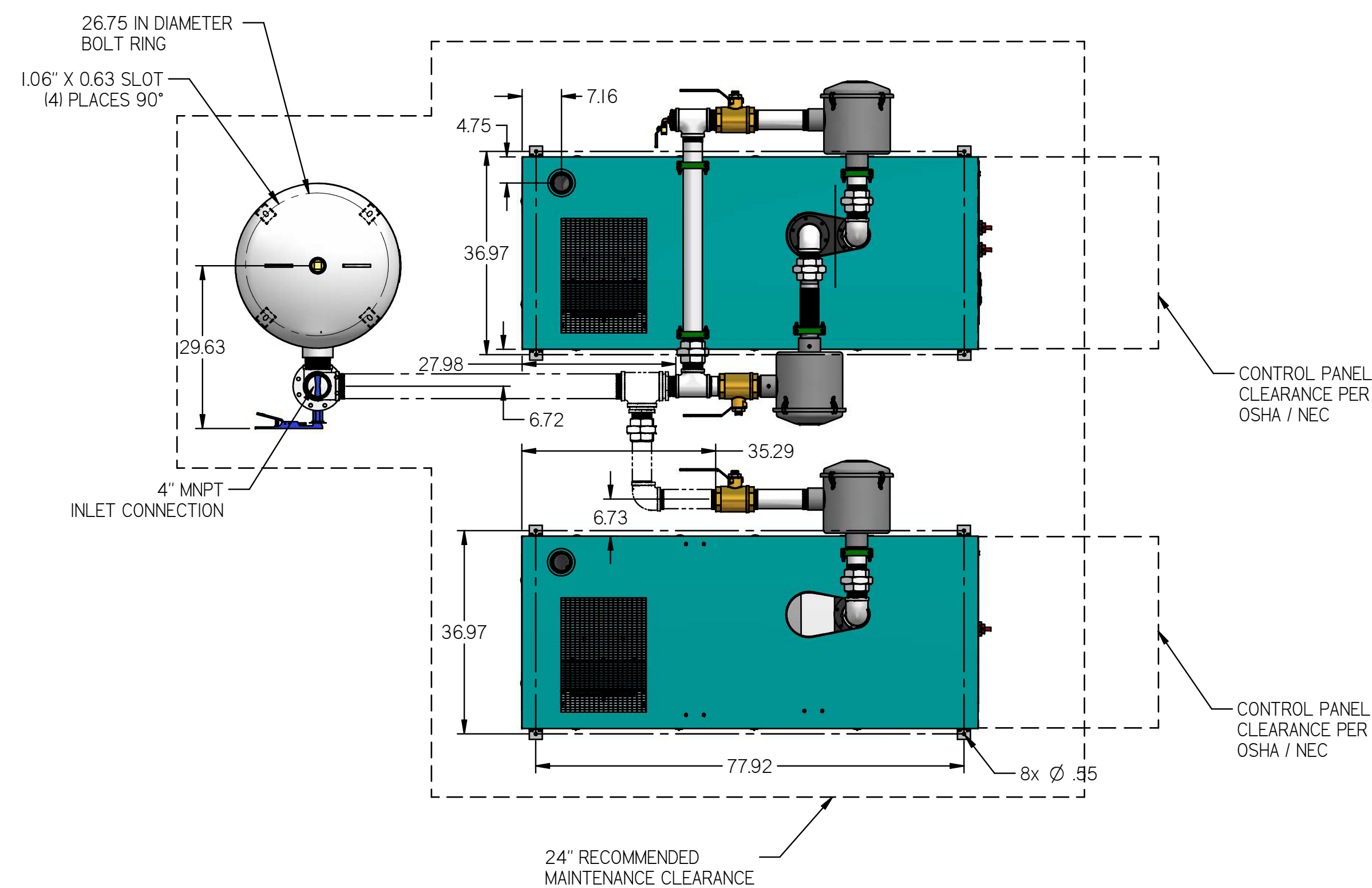


# LCET1005

## LAB CLAW ENCLOSED TRIPLEX 10 HP 200 GAL

REVISION NOTES		
DESCRIPTION	ECN	PR/NOR
RELEASE TO PRODUCTION	PXEC0099	N/A



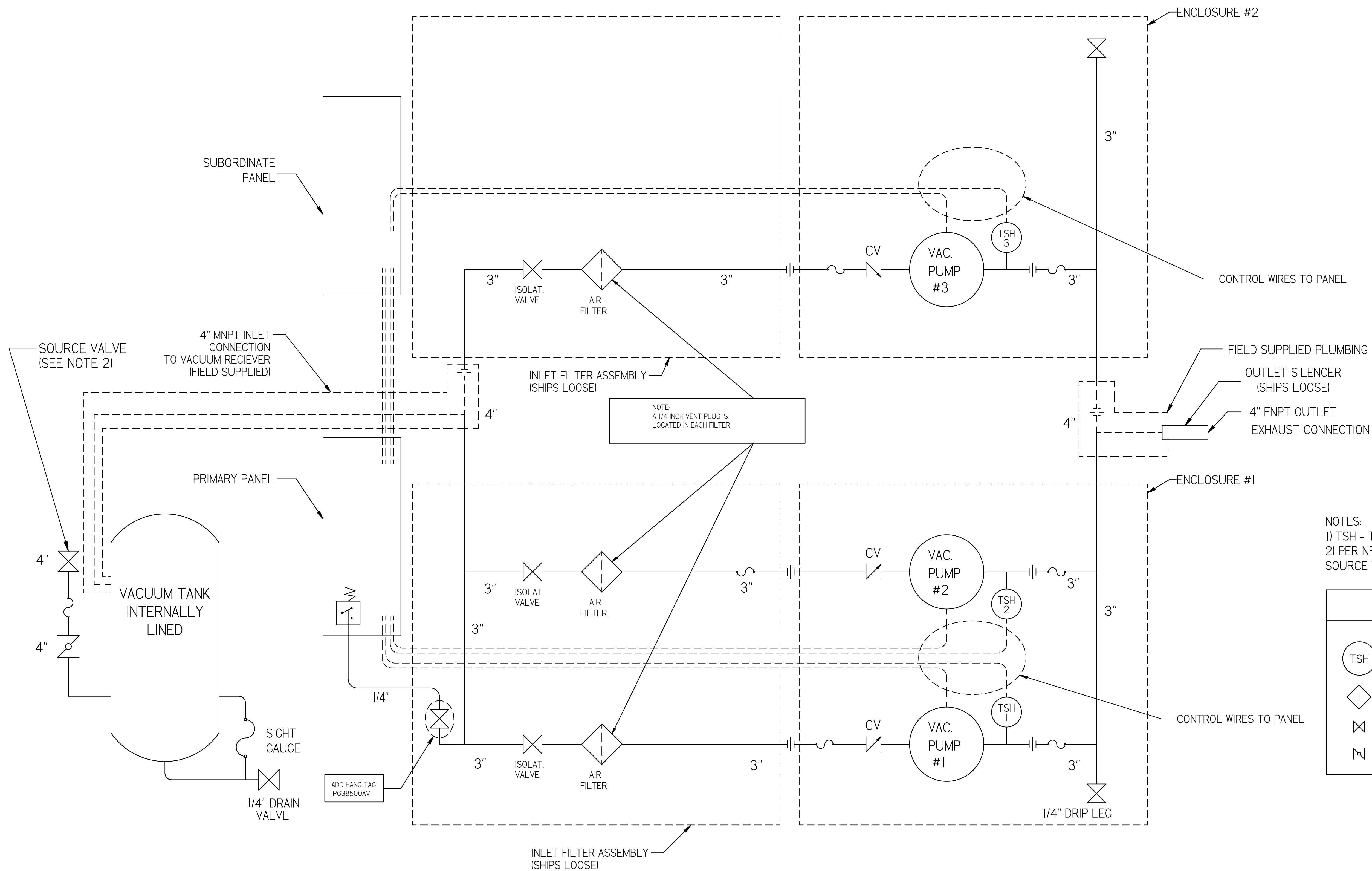
- NOTES:  
1) APPROX SYSTEM WEIGHT: 6297 LB  
2) FINAL SYSTEM DIMENSIONS DEPENDENT UPON INSTALLATION CONFIGURATION. MAINTENANCE CLEARANCE MUST BE MAINTAINED IN INSTALLATION CONFIGURATION.  
3) SHEET 1: UNIT BUILD  
4) SHEET 2: FLOW SCHEMATIC

SYMBOL LEGEND		DRAWINGS TO CONFORM TO CURRENT REVISION OF THE FOLLOWING ANSI STANDARDS:	
		Y14.3 MULTI AND SECTIONAL VIEW DIMS	
		Y14.5 DIMENSIONING AND TOLERANCING	
TOLERANCES NOT SPECIFIED:	SOLID EDGE DRAWING	DO NOT SCALE DRAWING FOR DIMENSIONS	
0.XXX ± .010	INCH	SHEET 1 OF 2	SCALE 1:20
0.XXX ± 0.050			
± .05			
<small>CONFIDENTIAL DISCLOSURE</small> This drawing is the property of POWEREX of the SCOTT FETTER COMPANY and is subject to return on demand. Its contents are confidential and must not be copied or submitted to outside parties for use or examination.		AUTHOR	APPROVALS ON FILE IN PLM
TITLE: 718811 MATERIAL: N/A		gseaver	11/7/19
DESCRIPTION: LAB CLAW ENCLOSED TRIPLEX 10 HP 200 GAL			
DRAWING NUMBER: LCET1005		REVISION: B	SIZE: D

# LCET1005

LAB CLAW ENCLOSED  
TRIPLEX 10 HP 200 GAL

REVISION NOTES		
DESCRIPTION	ECN	PR/NOR
RELEASE TO PRODUCTION	PXEC0099	N/A



- NOTES:  
 1) TSH - TEMPERATURE SWITCH HIGH  
 2) PER NFPA THE SYSTEM WILL REQUIRE A SOURCE VALVE (SUPPLIED BY OTHERS).

LEGEND	
TSH	TEMP. SWITCH
	AIR FILTER
	BALL VALVE
	BUTTERFLY BALL VALVE
	VACUUM TRANSDUCER
	CHECK VALVE
	FLEX LINE
	UNION

SYMBOL LEGEND		DRAWINGS TO CONFORM TO CURRENT REVISION OF THE FOLLOWING ANSI STANDARDS: Y14.3 MULTI-VIEW AND SECTIONAL VIEW DWGS Y14.5 DIMENSIONING AND TOLERANCING	
TOLERANCES NOT SPECIFIED:	SOLID EDGE DRAWING	DO NOT SCALE DRAWING FOR DIMENSIONS	
0.001 ± 0.010	INCH	SHEET 2 OF 2	SCALE 1:1
0.005 ± 0.050		APPROVALS ON FILE IN PLM	
0.010 ± 0.010		AUTHOR: gseaver	
CONFIDENTIAL DISCLOSURE This drawing is the property of POWEREX of the SCOTT FETTER COMPANY and is subject to return on demand. Its contents are confidential and must not be copied or submitted to outside parties for use or examination.		ORIGINATION DATE: 11/7/19	APPROVALS ON FILE IN PLM
ITEM NO: 718811			
MATERIAL: N/A	150 PRODUCTION DRIVE, HARRISON OH 45030 (888) 768-7079		
DESCRIPTION: LAB CLAW ENCLOSED TRIPLEX 10 HP 200 GAL	DRAWING NUMBER: LCET1005	REVISION: B	SIZE: D