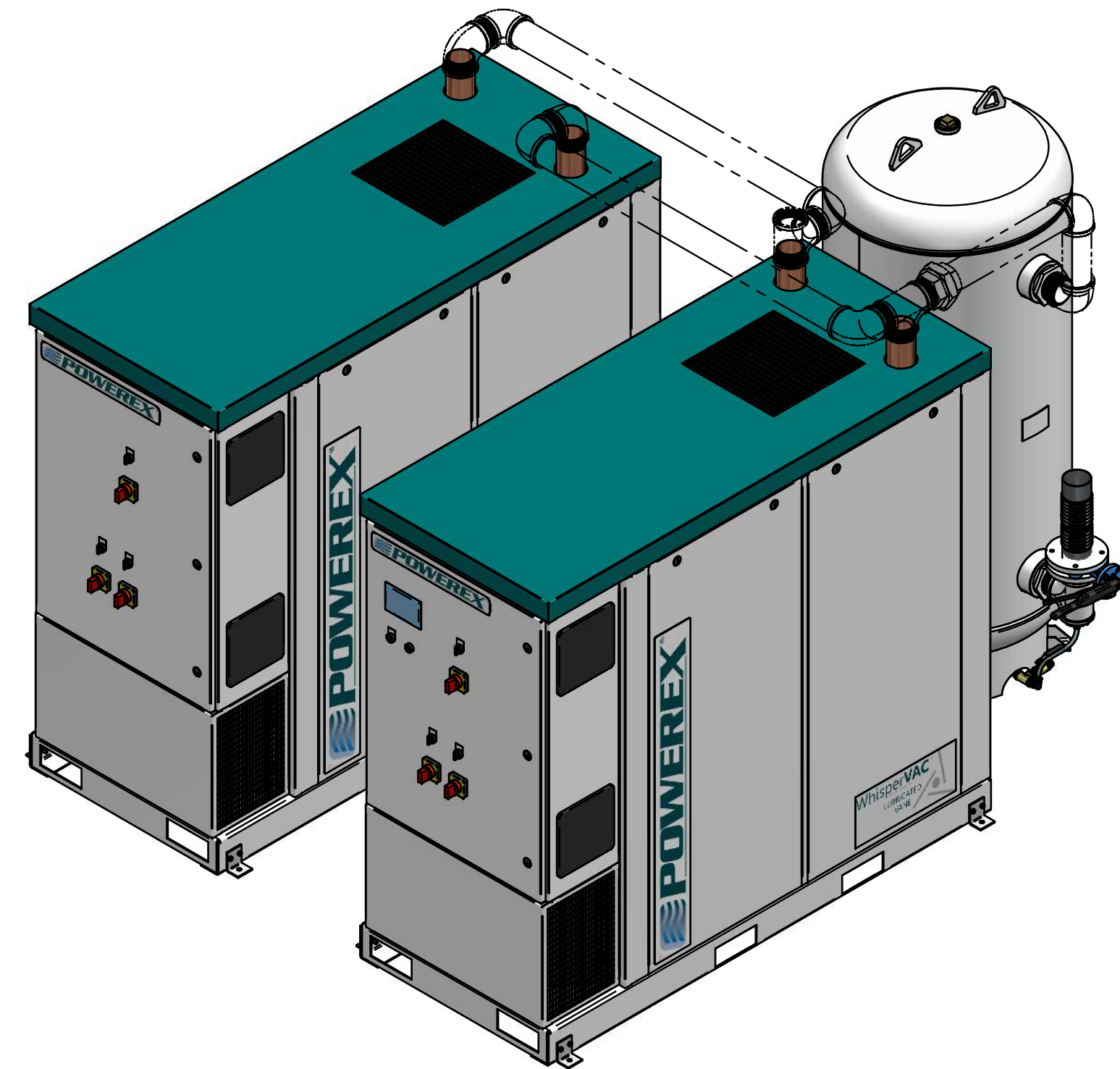


REVISION NOTES

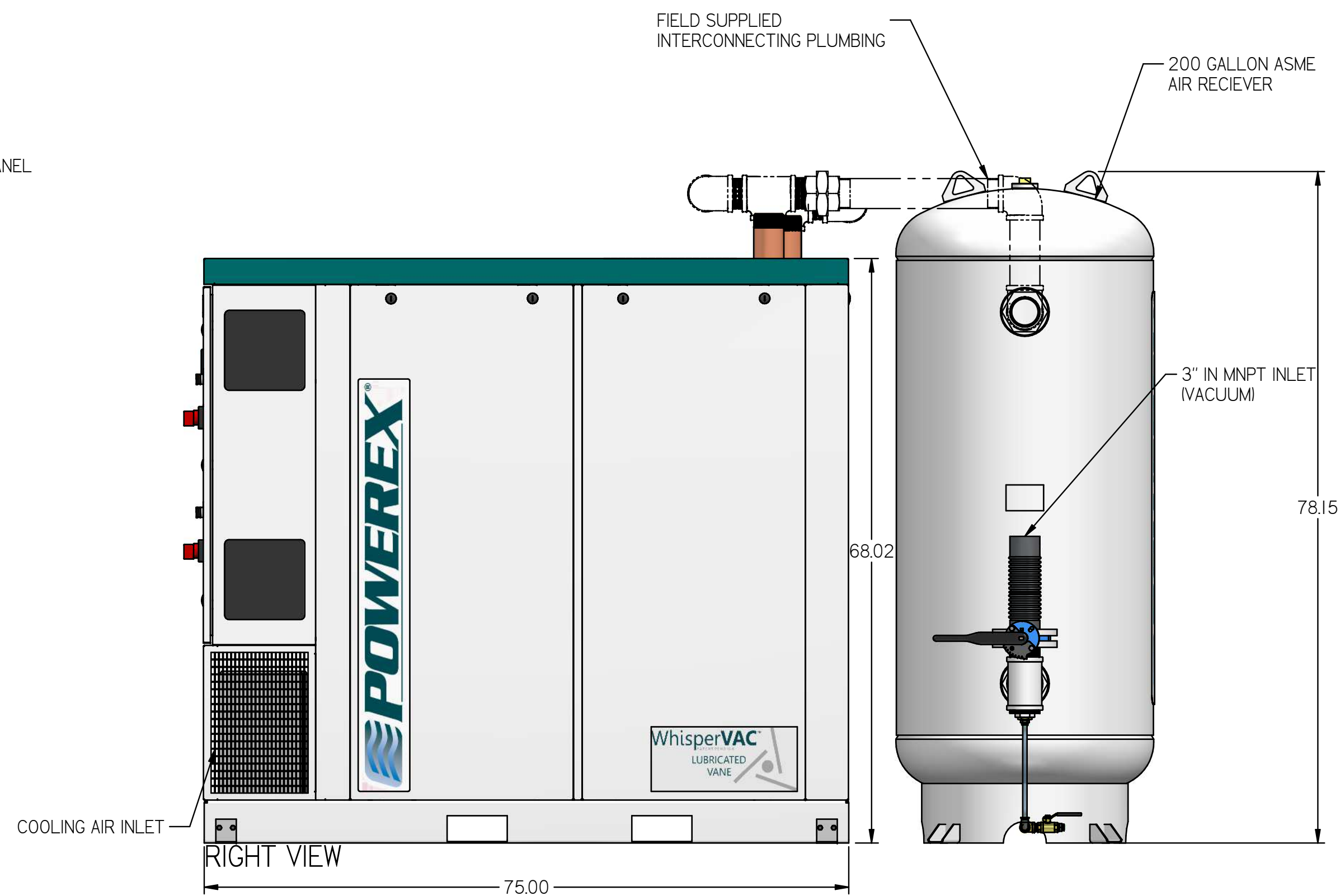
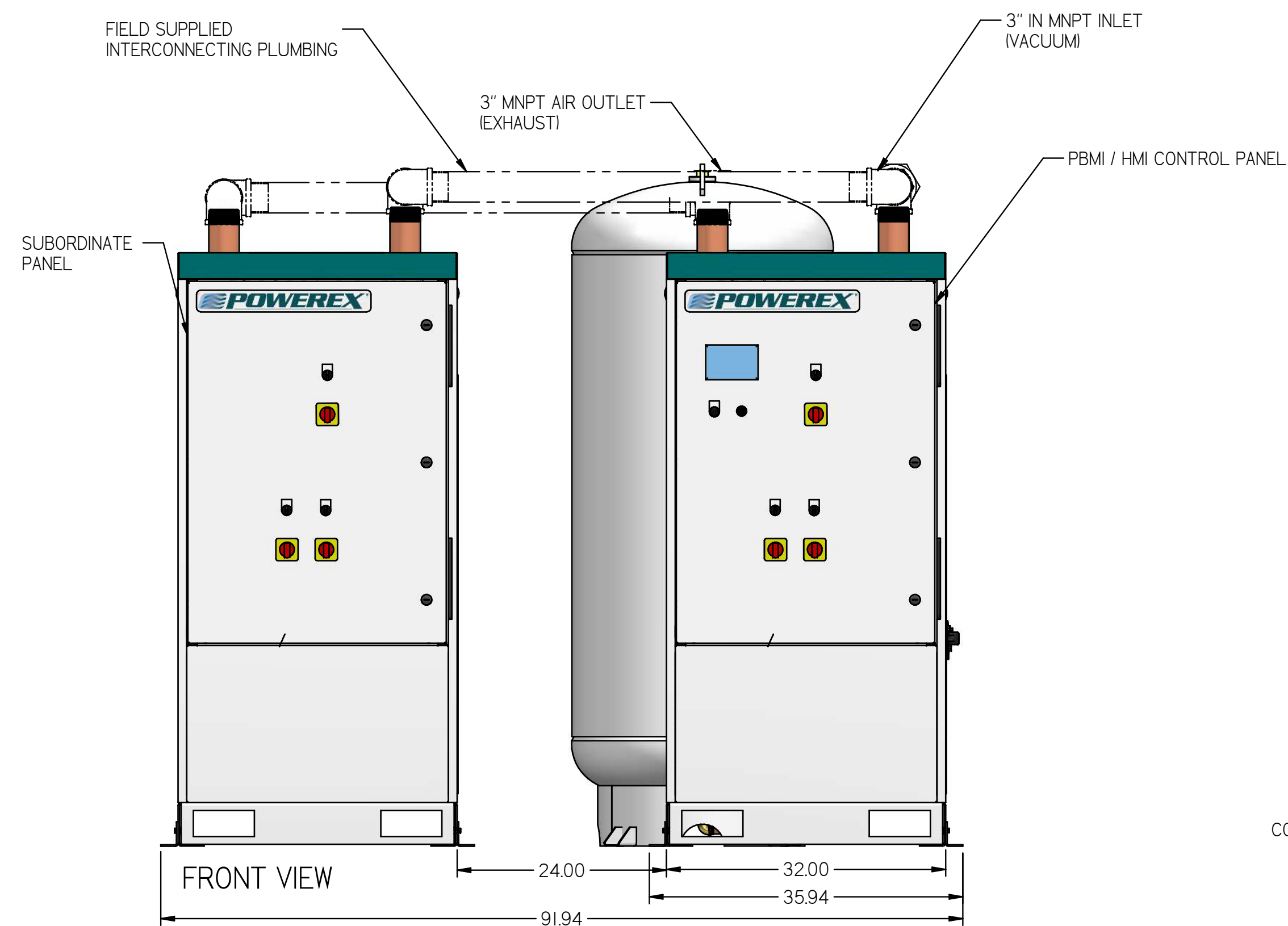
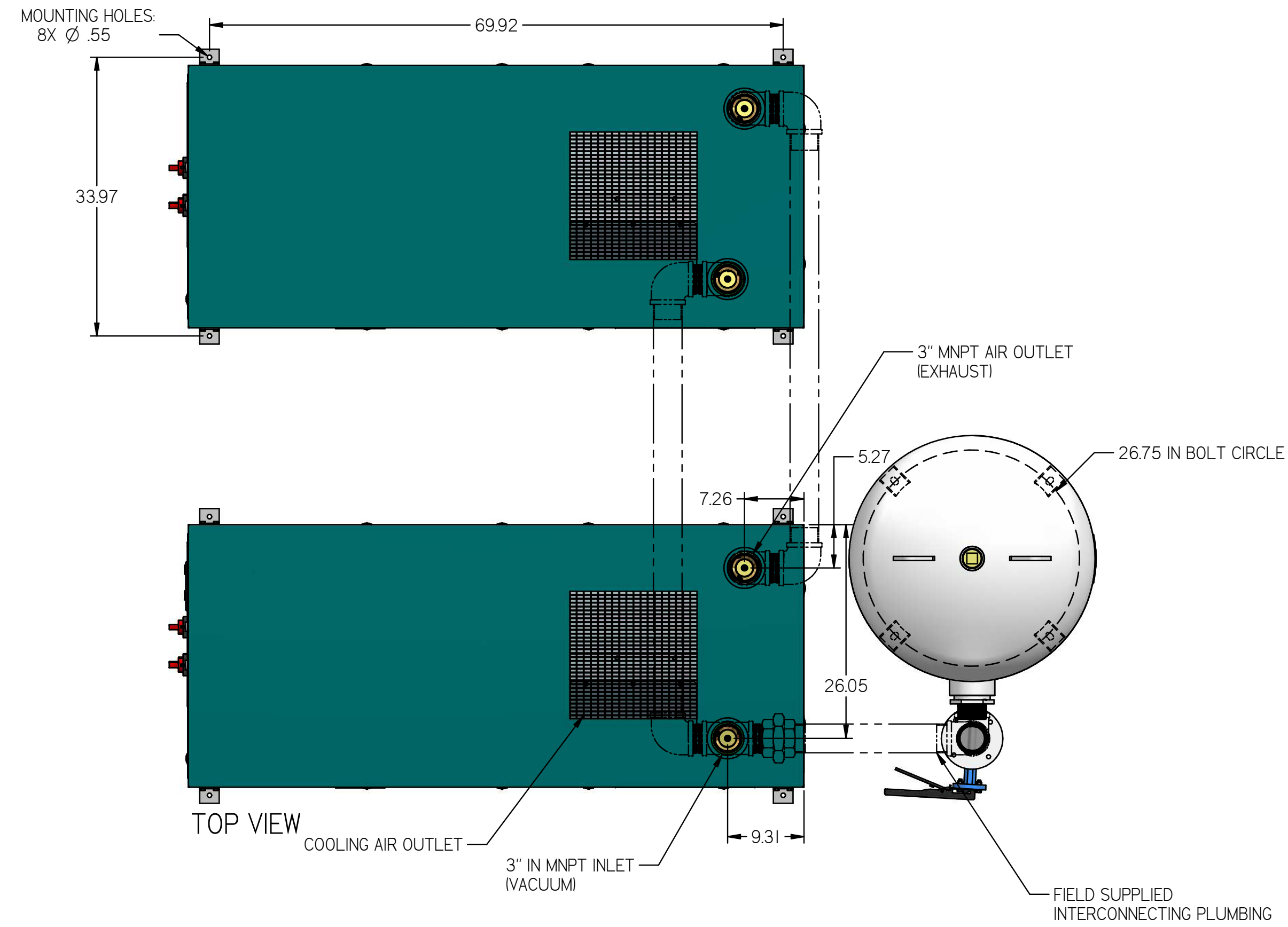
DESCRIPTION	ECN	PR/NOR
PRODUCTION RELEASE	PXEC0099	N/A

LVEQ0755

LAB 7.5 HP QUADPLEX VANE
VACUUM ENCLOSURE 200G
TANK



ISO VIEW



- NOTES:
- APPROX SYSTEM WEIGHT: 4381 LB
 - 24" MINIMUM MAINTENANCE CLEARANCE RECOMMENDED ALL SIDES. CLEARANCE FOR CONTROL PANELS SHALL BE IN ACCORDANCE WITH OSHA/NEC REQUIREMENTS

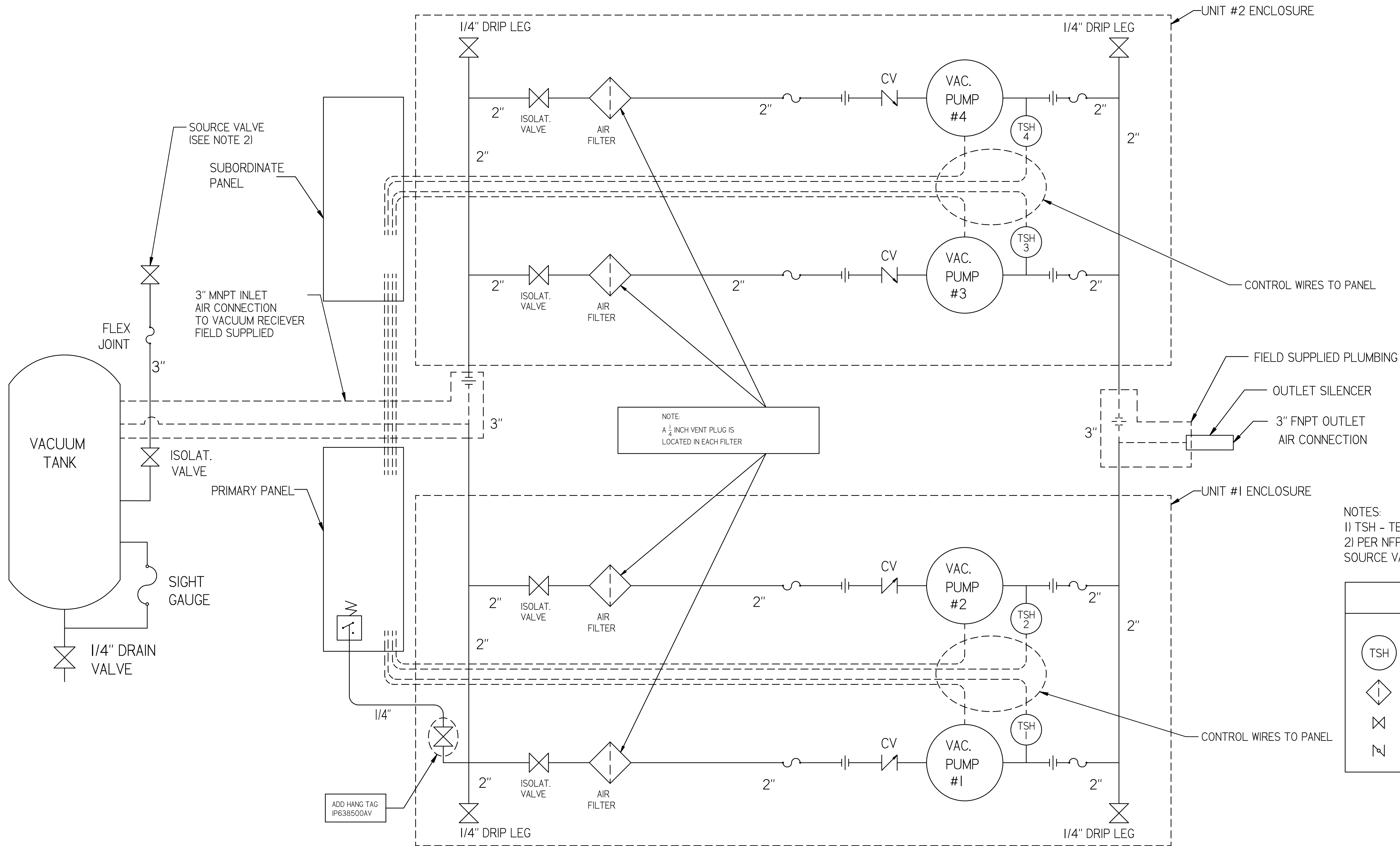
SYMBOL LEGEND		DRAWINGS TO CONFORM TO CURRENT REVISION OF THE FOLLOWING ANSI STANDARDS:		
TOLERANCES NOT SPECIFIED	SOLID EDGE DRAWING	DO NOT SCALE DRAWING FOR DIMENSIONS		
0.XXX ± .05	INCH	SHEET 1 OF 2	SCALE 1:12.5	
0.XXX ± .005				
<small>CONFIDENTIAL DISCLOSURE</small> This drawing is the property of POWEREX of the SCOTT FETTER COMPANY and is subject to return on demand. Its contents are confidential and must not be copied or submitted to outside parties for use or examination.		AUTHOR	APPROVALS ON FILE IN PLM	
<small>CONFIDENTIAL DISCLOSURE</small> This drawing is the property of POWEREX of the SCOTT FETTER COMPANY and is subject to return on demand. Its contents are confidential and must not be copied or submitted to outside parties for use or examination.		ASoulek	2/8/2019	
TITLE: 717696				
MATERIAL: SEE COMPONENT DRAWINGS				
DESCRIPTION: LAB 7.5 HP QUADPLEX VANE VACUUM ENCLOSURE 200G TANK		DRAWING NUMBER: LVEQ0755	REVISION: B	SIZE: D



LVEQ0755

LAB 7.5 HP QUADPLEX VANE VACUUM ENCLOSURE 200G TANK

REVISION NOTES		
DESCRIPTION	ECN	PR/NOR
PRODUCTION RELEASE	PXEC0099	N/A



- NOTES:
- 1) TSH - TEMPERATURE SWITCH HIGH
 - 2) PER NFPA THE SYSTEM WILL REQUIRE A SOURCE VALVE (SUPPLIED BY OTHERS).

LEGEND	
(TSH)	TEMP. SWITCH
◇	AIR FILTER
⊗	BALL VALVE
⊘	BUTTERFLY BALL VALVE
⊕	VACUUM TRANSDUCER
↗	CHECK VALVE
~	FLEX LINE
- +	UNION

SYMBOL LEGEND		DRAWINGS TO CONFORM TO CURRENT REVISION OF THE FOLLOWING ANSI STANDARDS:			
TOLERANCES NOT SPECIFIED:	SOLID EDGE DRAWING	DO NOT SCALE DRAWING FOR DIMENSIONS			
0.0XX ± .05			SHEET 2 OF 2	SCALE	1:1
0.0XX ± .005					
<small>CONFIDENTIAL DISCLOSURE</small> This drawing is the property of POWEREX or the SCOTT FETTER COMPANY and is subject to return on demand. Its contents are confidential and must not be copied or submitted to outside parties for use or examination.		AUTHOR	ORIGINATION DATE	APPROVALS ON FILE IN PLM	
ITEM NO: 717696		ASoulek	2/8/2019		
MATERIAL: SEE COMPONENT DRAWINGS					
DESCRIPTION: LAB 7.5 HP QUADPLEX VANE VACUUM ENCLOSURE 200G TANK		DRAWING NUMBER	LVEQ0755	REVISION	B
					D