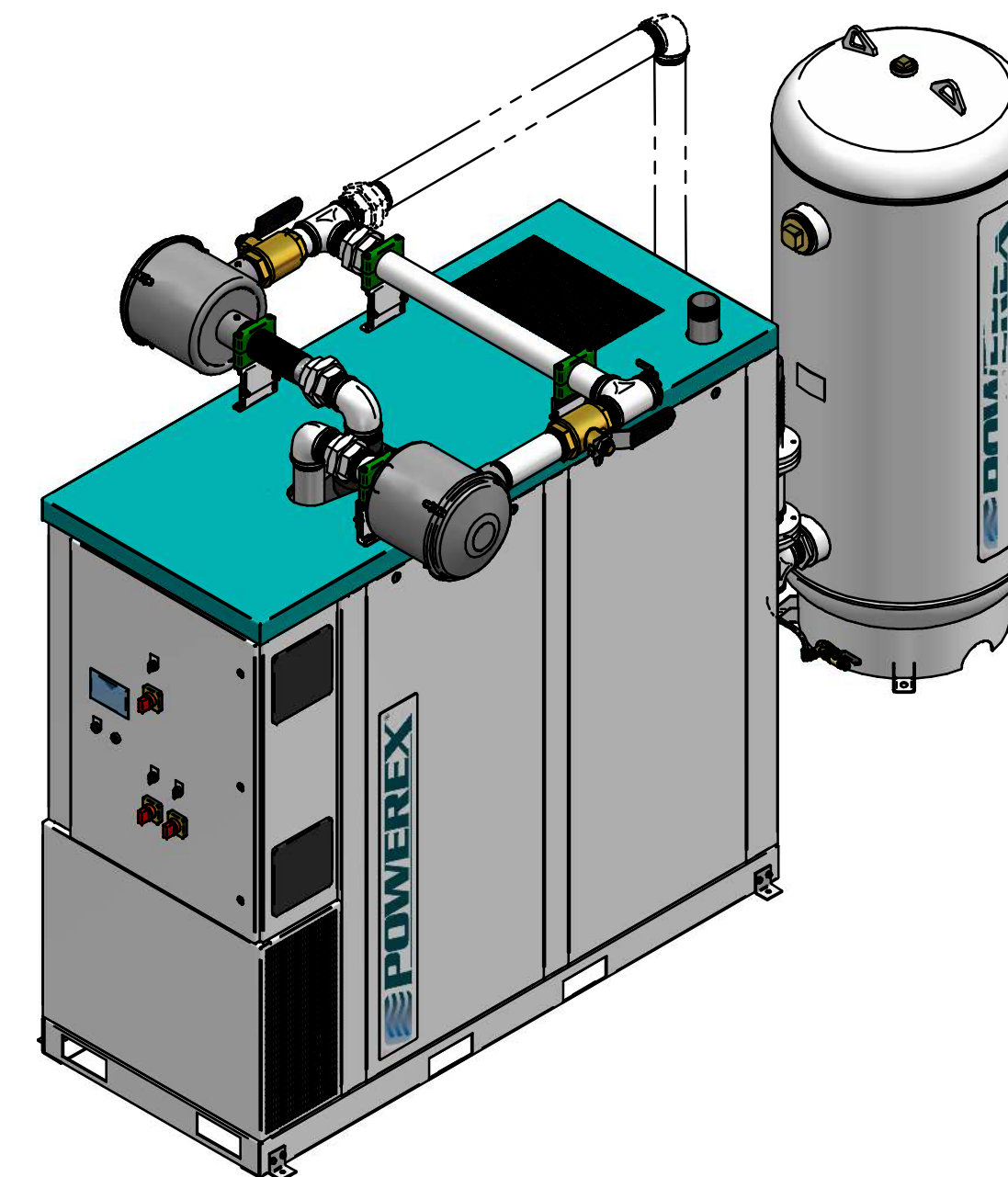
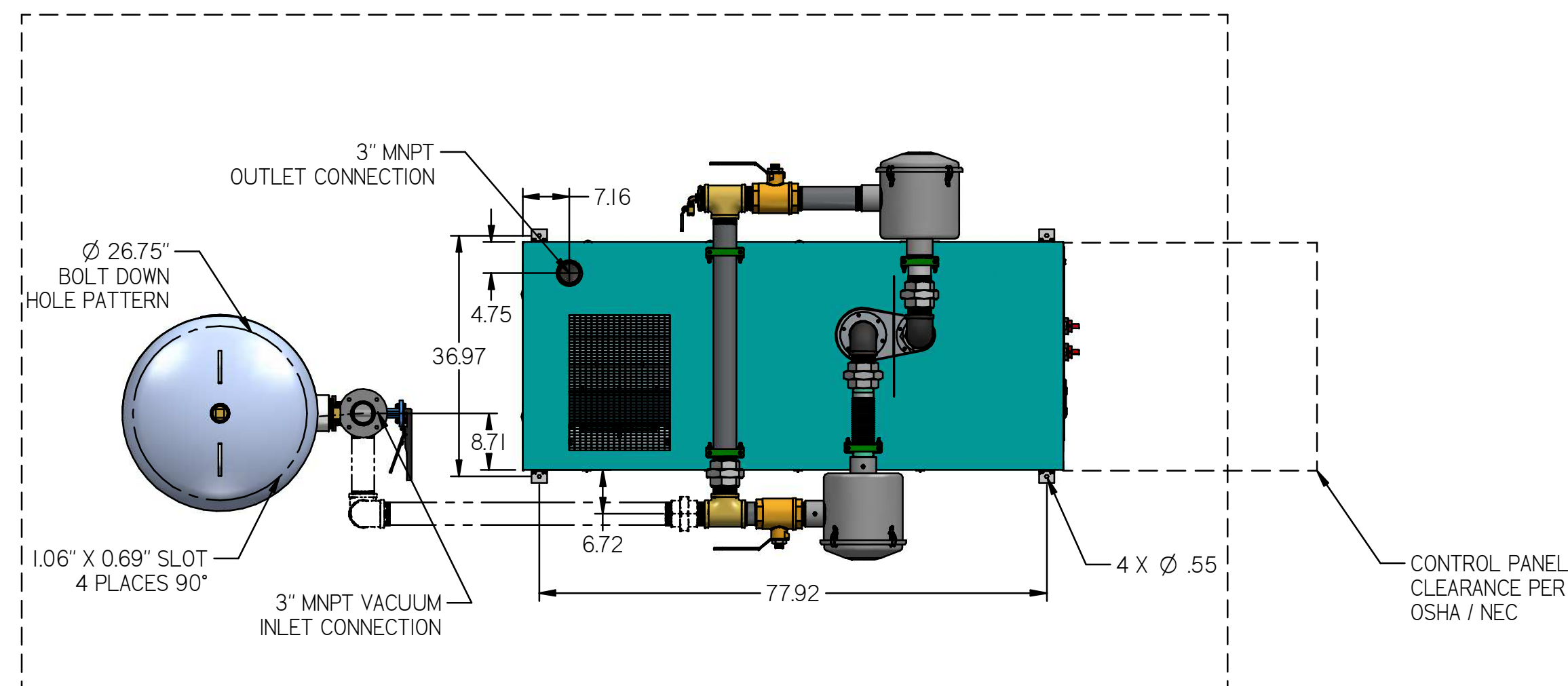


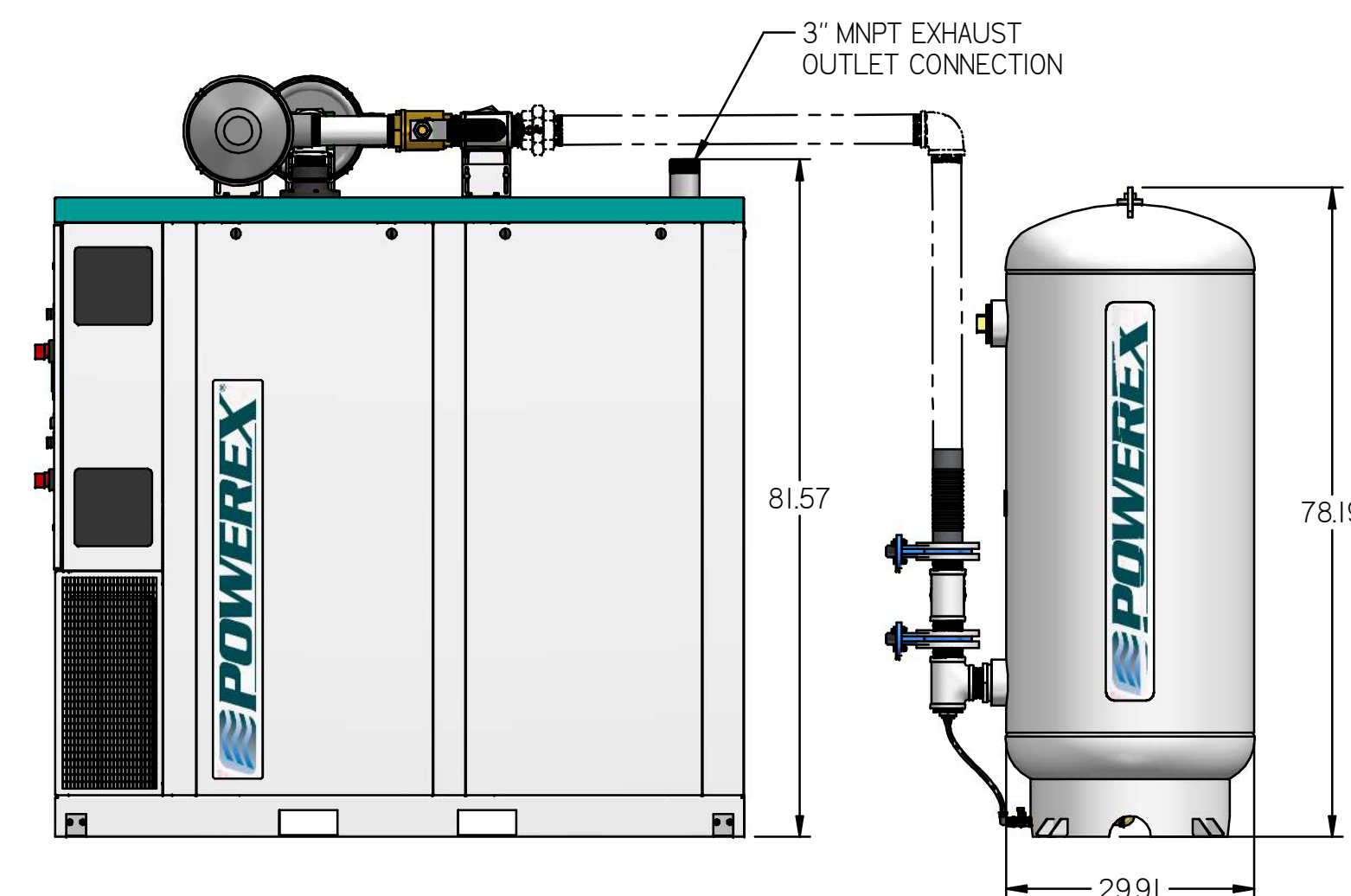
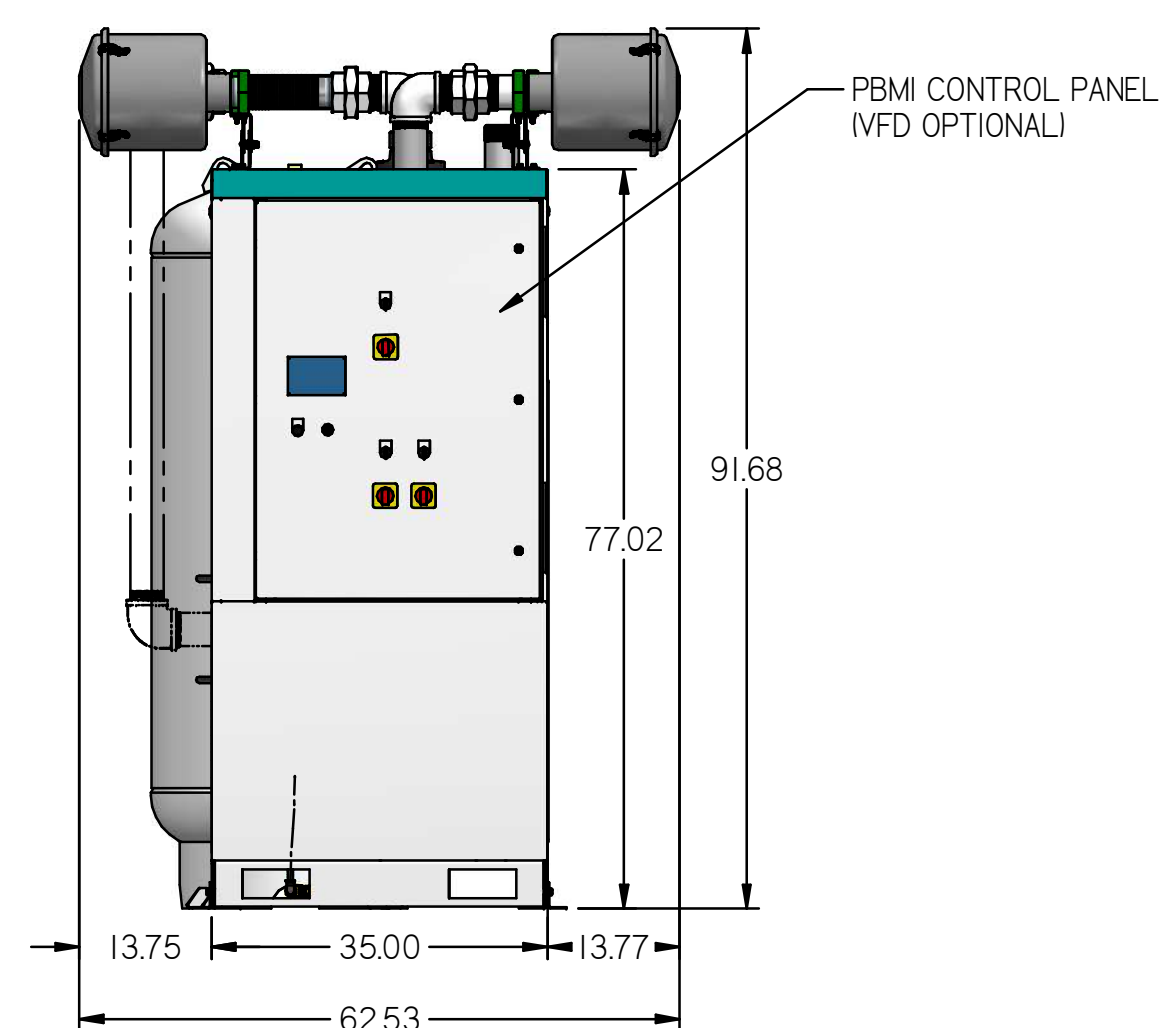
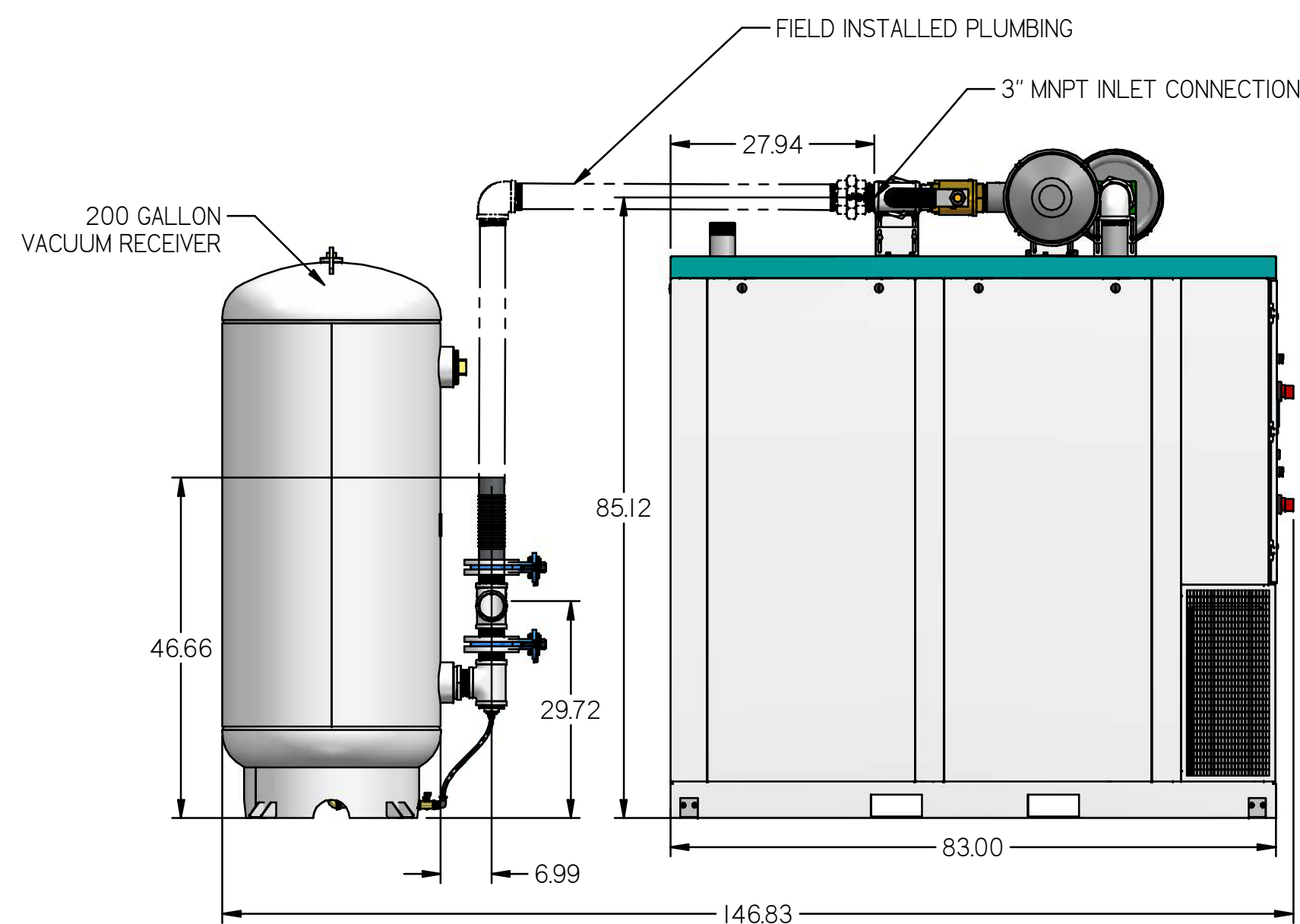
MCED1005

MED CLAW ENCLOSED DUPLEX 10 HP 200 GAL

REVISION NOTES		
DESCRIPTION	ECN	PR/NOR
PRODUCTION RELEASE	PXEC0099	N/A



24" RECOMMENDED MAINTENANCE CLEARANCE



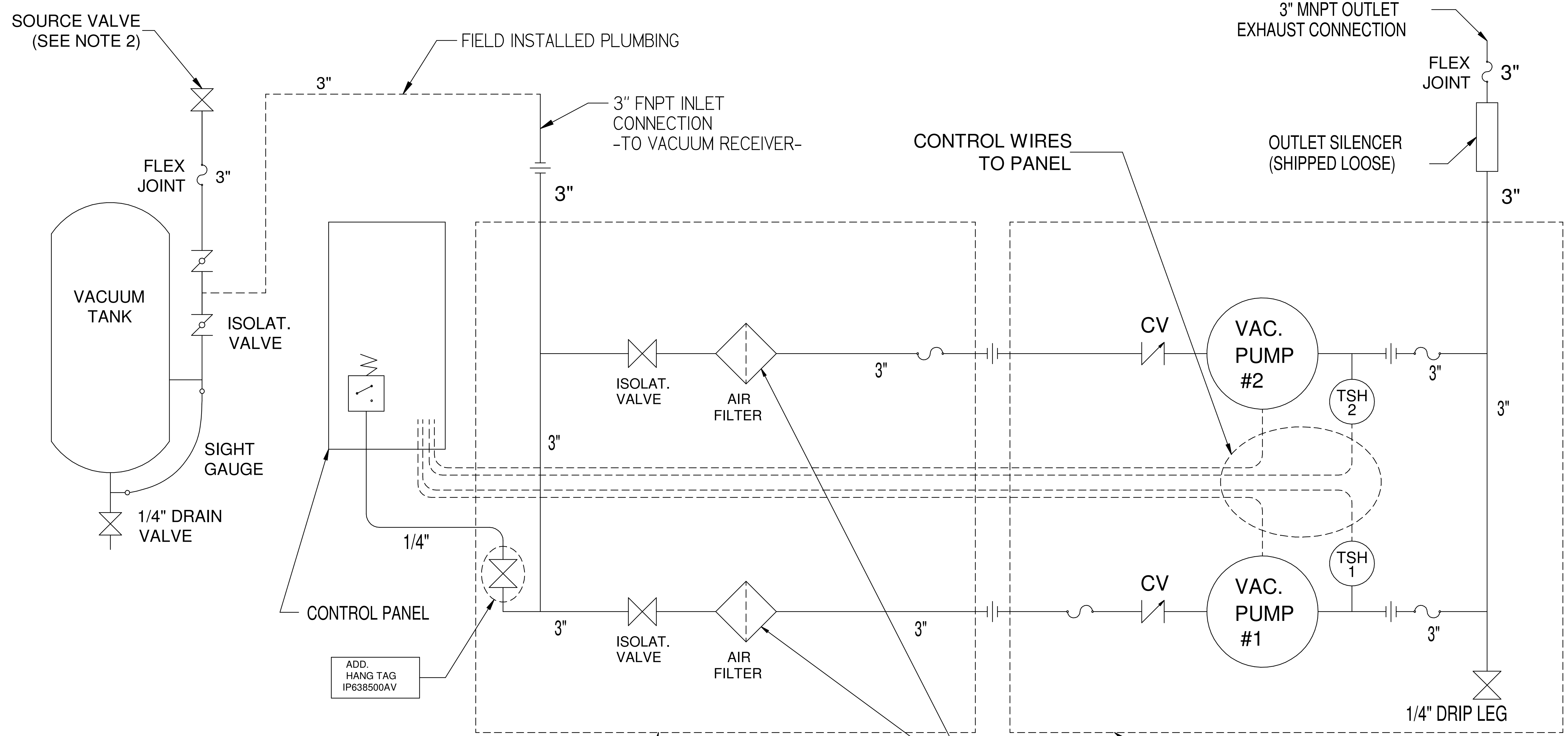
- NOTES:
- APPROX SYSTEM WEIGHT: 3941 LB
 - FINAL SYSTEM DIMENSIONS DEPENDENT UPON INSTALLATION CONFIGURATION. MAINTENANCE CLEARANCE MUST BE MAINTAINED IN INSTALLATION CONFIGURATION.
 - SHEET 1: UNIT BUILD
 - SHEET 2: FLOW SCHEMATIC

SYMBOL LEGEND		DRAWINGS TO CONFORM TO CURRENT REVISION OF THE FOLLOWING ANSI STANDARDS:	
		Y14.3 MULTI AND SECTIONAL VIEW DIMS	
		Y14.5 DIMENSIONING AND TOLERANCING	
TOLERANCES NOT SPECIFIED	SOLID EDGE DRAWING	DO NOT SCALE DRAWING FOR DIMENSIONS	
0.XXX ± 0.010	INCH	SHEET 1 OF 2	SCALE 1:20
0.XXX ± 0.050			
<small>CONFIDENTIAL DISCLOSURE</small> This drawing is the property of POWEREX or the SCOTT FETTER COMPANY and is subject to return on demand. Its contents are confidential and must not be copied or submitted to outside parties for use or examination.		AUTHOR	APPROVALS ON FILE IN PLM
TITLE: 718724 MATERIAL: N/A		gseaver	2/6/2019
DESCRIPTION: MED CLAW ENCLOSED DUPLEX 10 HP 200 GAL			
DRAWING NUMBER: MCED1005		REVISION: B	SIZE: D

MCED1005

MED CLAW ENCLOSED
 DUPLEX 10 HP 200 GAL

REVISION NOTES		
DESCRIPTION	ECN	PR/NOR
PRODUCTION RELEASE	PXEC0099	N/A



ADD.
 HANG TAG
 IP638500AV

NOTE:
 A 1/4 INCH VENT PLUG IS
 LOCATED IN EACH FILTER HOUSING.

INLET FILTER ASSEMBLY
 (SHIPPED LOOSE)

VACUUM UNIT ENCLOSURE

LEGEND

<p>TSH TEMP. SWITCH</p> <p> AIR FILTER</p> <p> BALL VALVE</p>	<p> VACUUM TRANSDUCER</p> <p> CHECK VALVE</p> <p> FLEX LINE</p> <p> UNION</p>
--	---

NOTES:

- 1) TSH - TEMPERATURE SWITCH HIGH
- 2) PER NFPA THE SYSTEM WILL REQUIRE A SOURCE VALVE (SUPPLIED BY OTHERS).
- 3) OUTLET SILENCER AND FLEX HOSES SHIP LOOSE FOR FIELD INSTALLATION.
- 4) INLET FILTER ASSEMBLY SHIPS LOOSE FOR FIELD INSTALLATION.

SYMBOL LEGEND		DRAWINGS TO CONFORM TO CURRENT REVISION OF THE FOLLOWING ANSI STANDARDS:		
TOLERANCES NOT SPECIFIED:		DO NOT SCALE DRAWING FOR DIMENSIONS		
0.001 ±	0.010	INCH	SHEET 2 OF 2	SCALE I:1
0.0005 ±	0.0050			
<small>CONFIDENTIAL DISCLOSURE</small> This drawing is the property of POWEREX or the SCOTT FETTER COMPANY and is subject to return on demand. Its contents are confidential and must not be copied or submitted to outside parties for use or examination.		AUTHOR	ORIGINATION DATE	APPROVALS ON FILE IN PLM
DRAWING: 718724 MATERIAL: N/A		gseaver	2/6/2019	
DESCRIPTION: MED CLAW ENCLOSED DUPLEX 10 HP 200 GAL		DRAWING NUMBER: MCED1005	REVISION: B	SIZE: D

