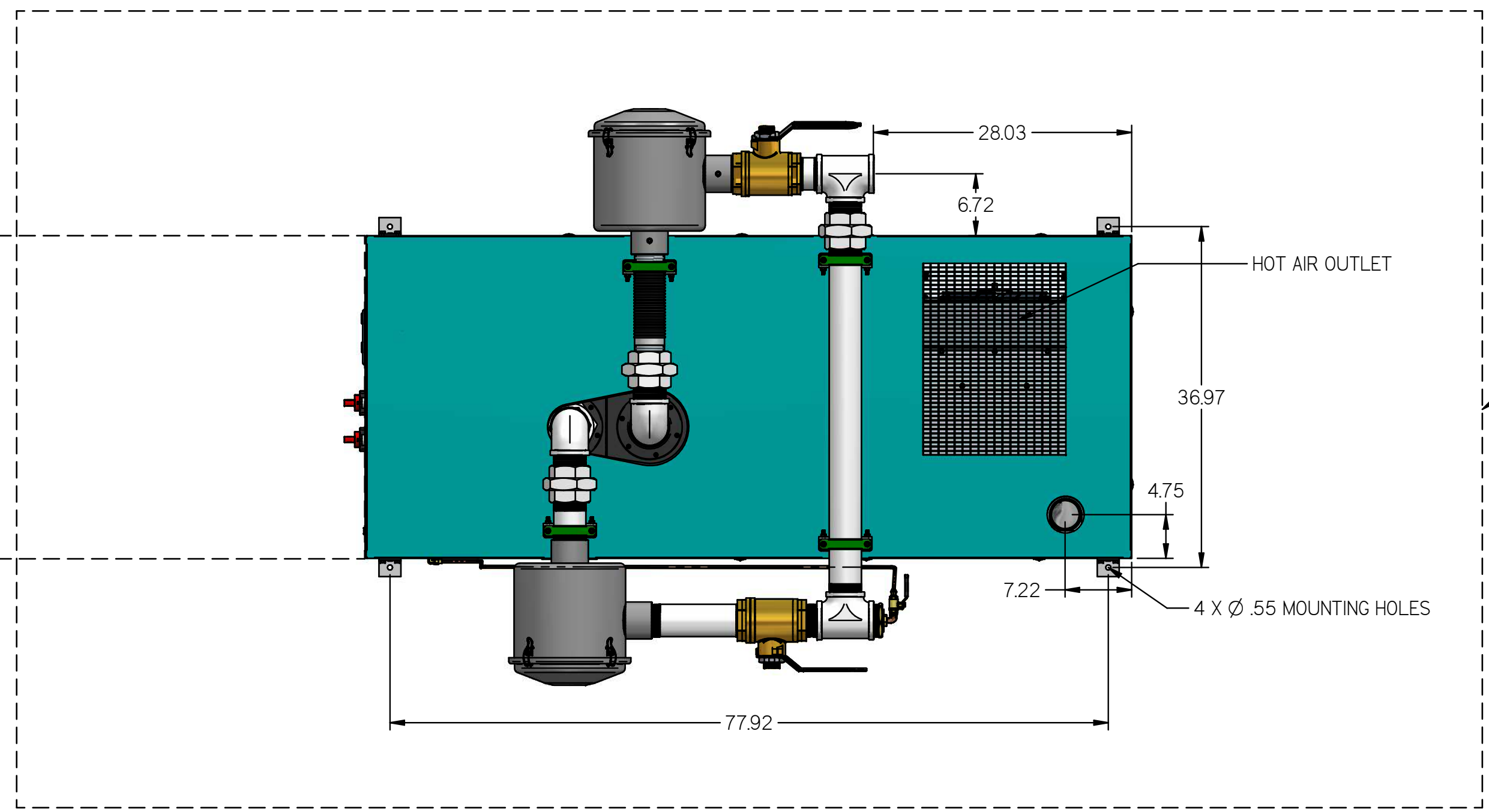


# MCEDI007

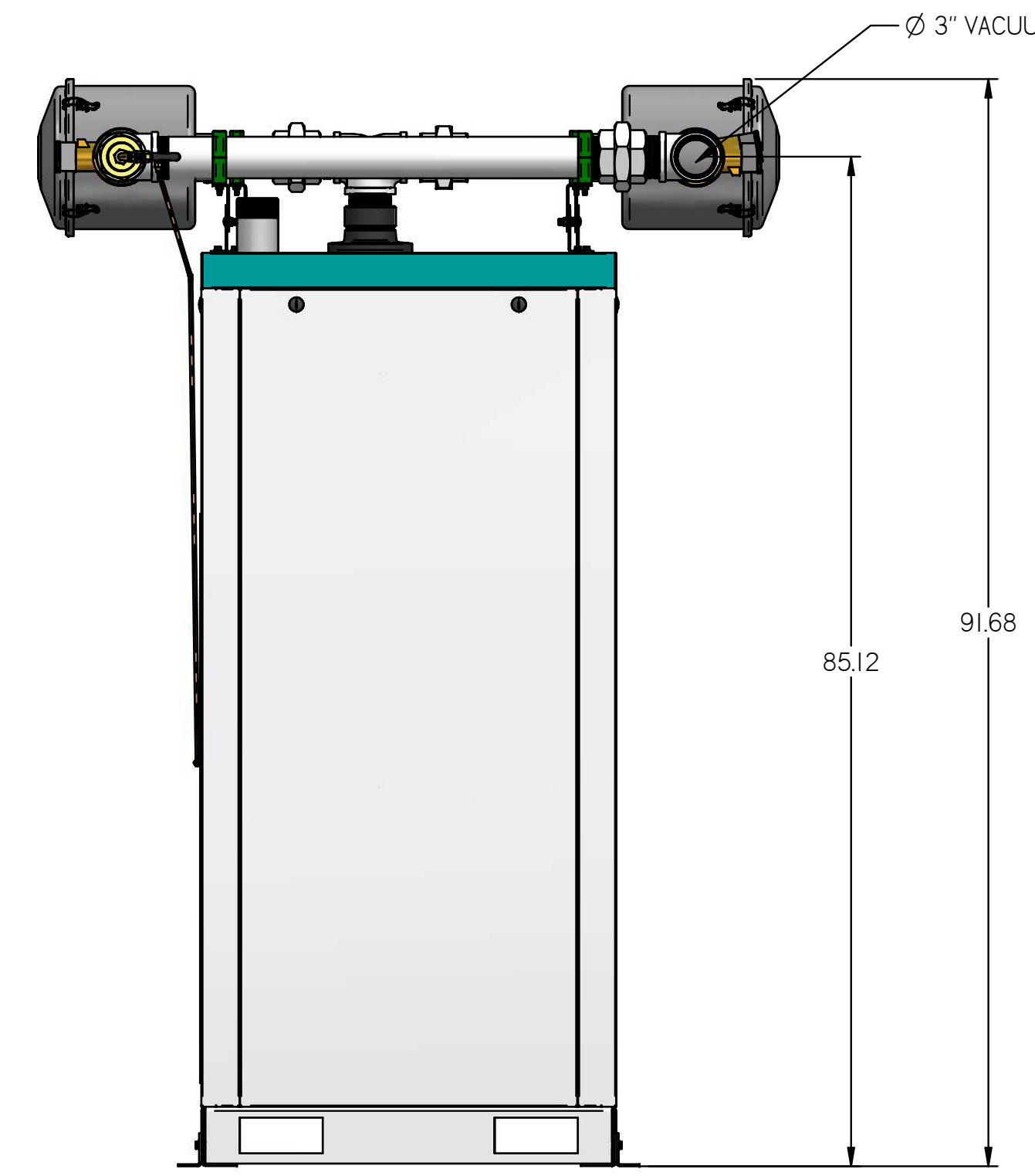
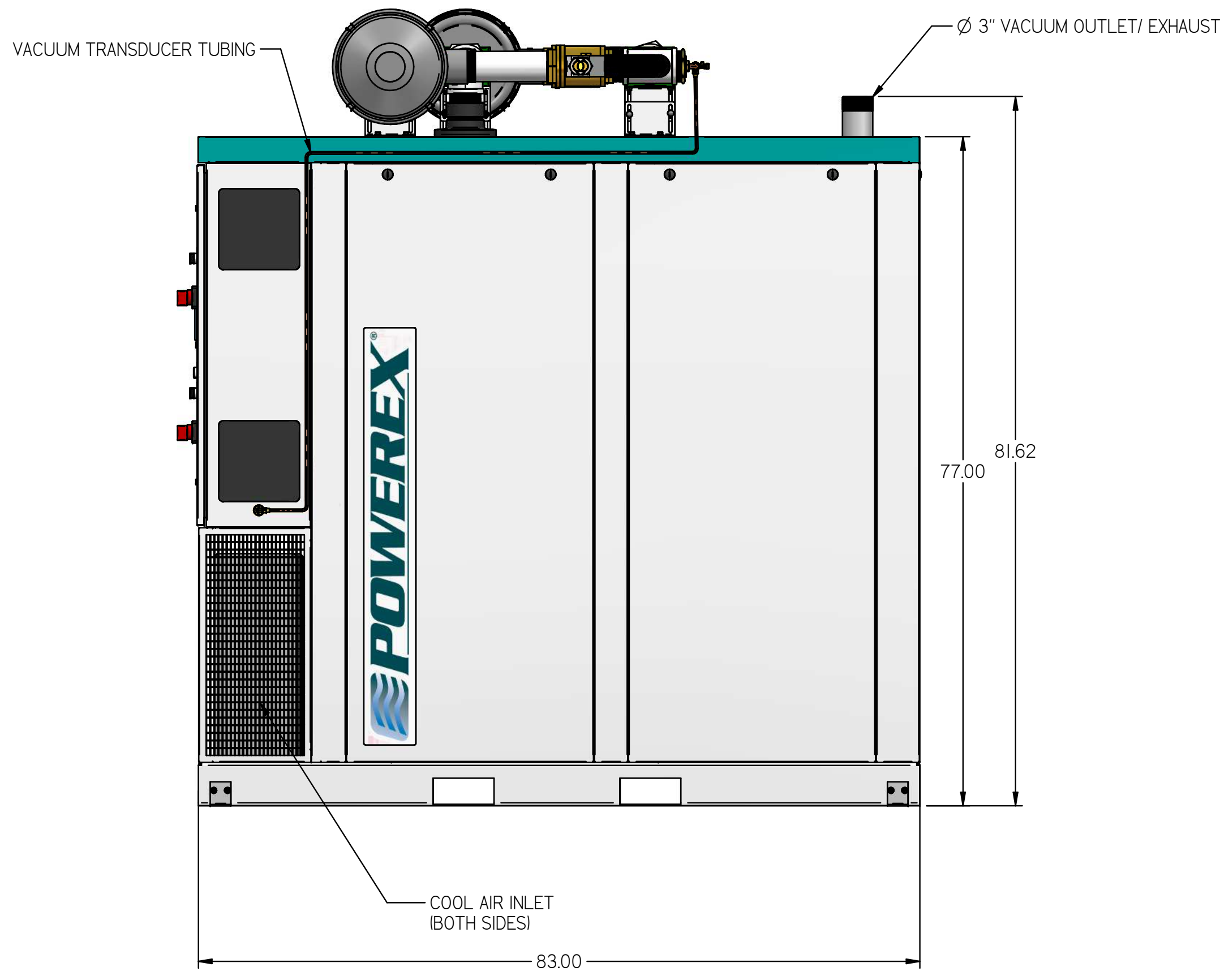
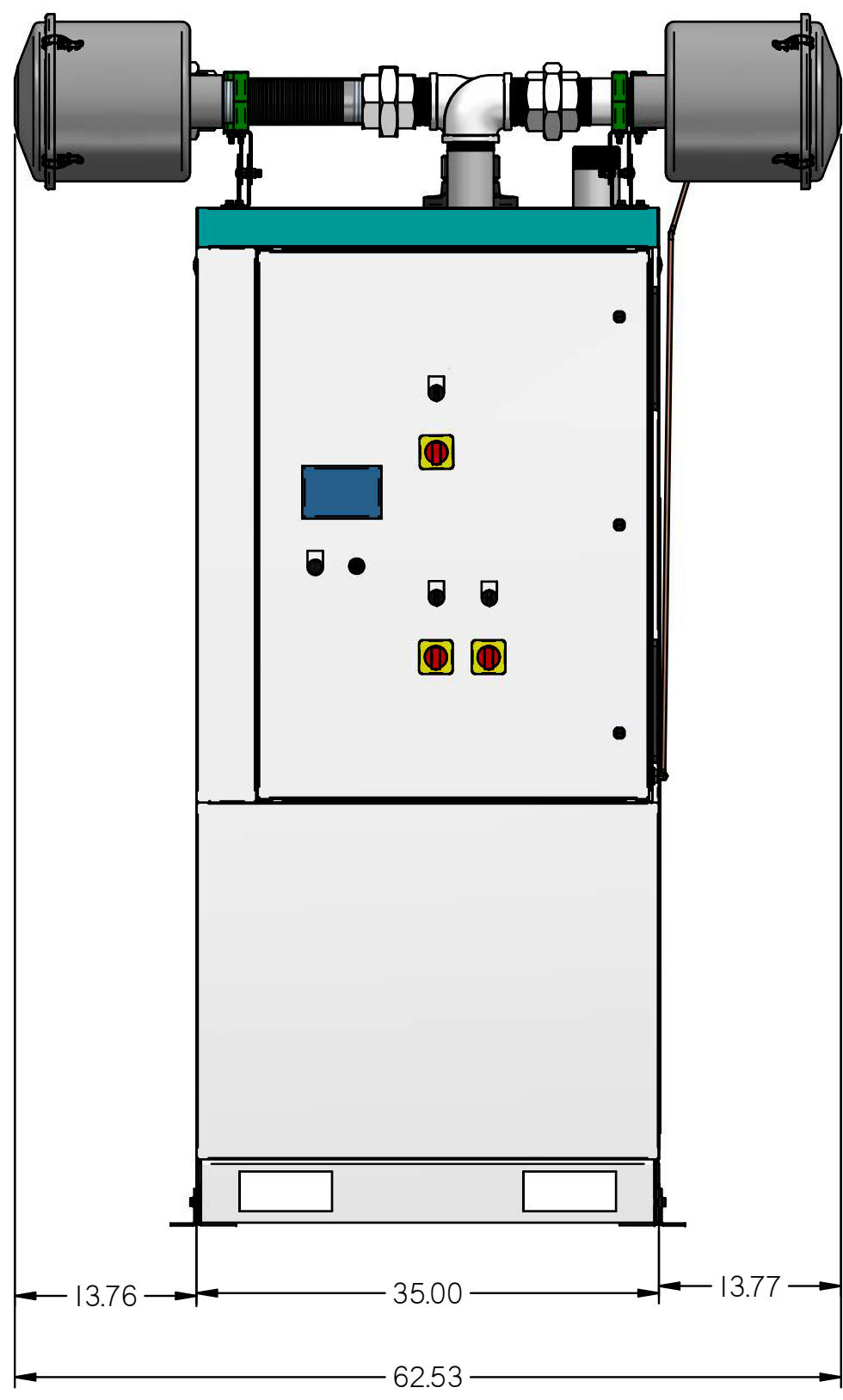
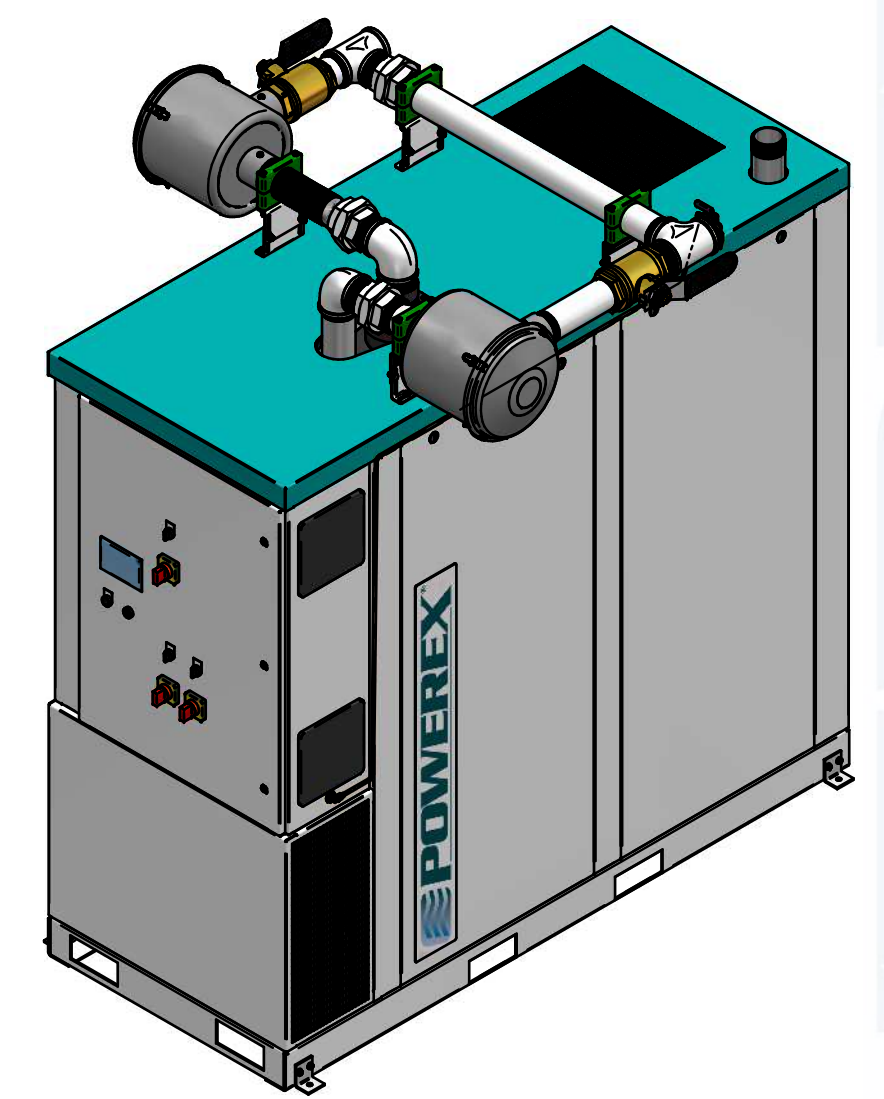
MED CLAW ENCLOSED  
DUPLEX 10 HP WITH  
TRANSDUCER

REVISION NOTES		
DESCRIPTION	ECN	PR/NOR
PRODUCTION RELEASE	PXEC0099	N/A

CONTROL PANEL  
CLEARANCE PER  
OSHA/NEC



RECOMMENDED MAINTENANCE  
CLEARANCE: 24" AROUND UNIT



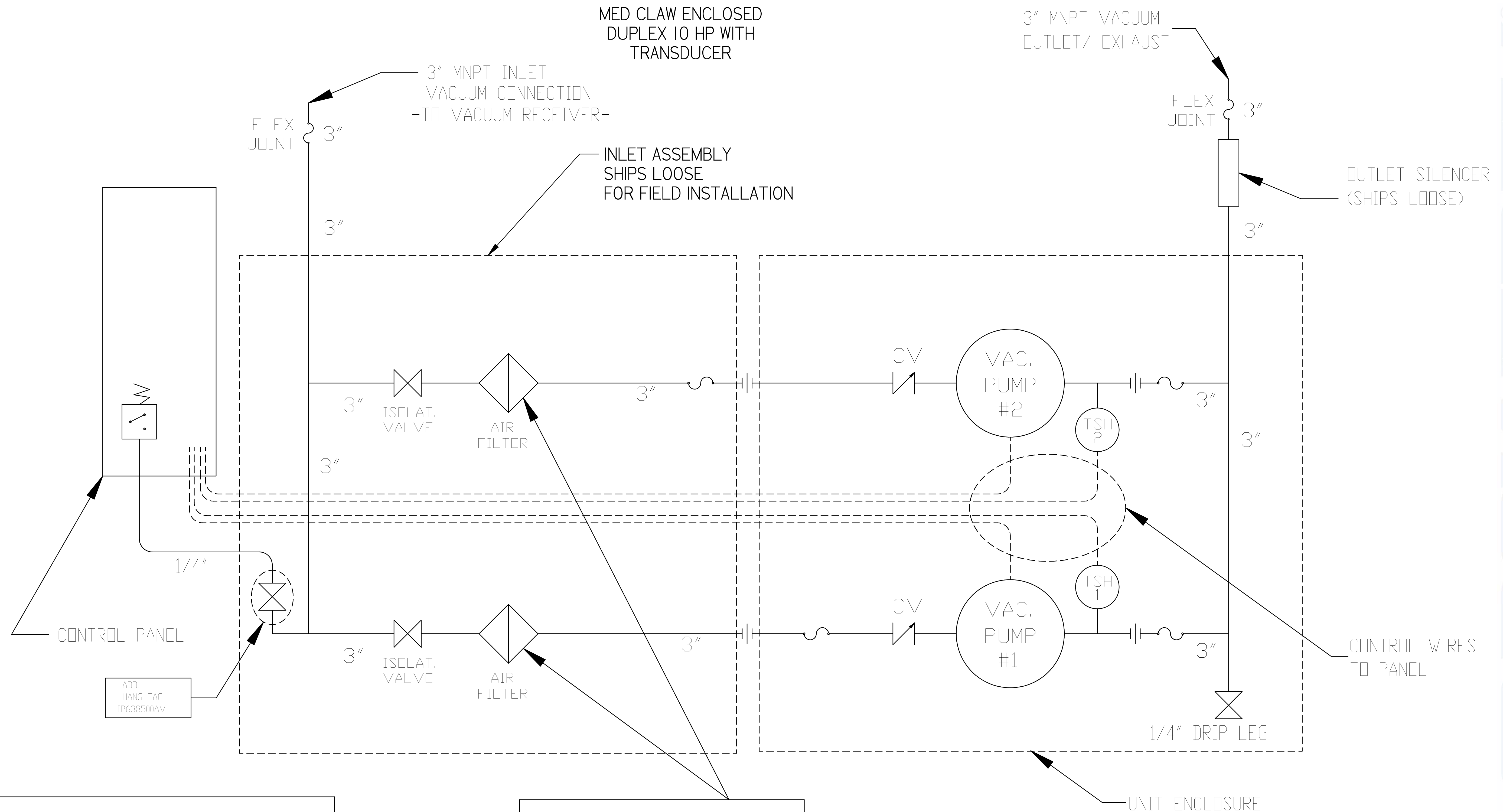
- NOTES:  
1) APPROX SYSTEM WEIGHT: 3425 LB  
2) SHEET 1: UNIT BUILD  
3) SHEET 2: FLOW SCHEMATIC

SYMBOL LEGEND		DRAWINGS TO CONFORM TO CURRENT REVISION OF THE FOLLOWING ANSI STANDARDS:	
TOLERANCES NOT SPECIFIED	SOLID EDGE DRAWING	1143 MULTI AND SECTIONAL VIEW DIMS	1145 DIMENSIONING AND TOLERANCING
0.XXX ± .05	DRAWING	DO NOT SCALE DRAWING FOR DIMENSIONS	
0.XXX ± .005		SHEET 1 OF 2	SCALE 1/12.5
<small>CONFIDENTIAL DISCLOSURE</small> This drawing is the property of POWEREX of the SCOTT FETTER COMPANY and is subject to return on demand. Its contents are confidential and must not be copied or submitted to outside parties for use or examination.		AUTHOR	APPROVALS ON FILE IN PLM
ITERID: 719750	gseaver	ORIGINATION DATE: 2/1/2019	
MATERIAL: N/A			
DESCRIPTION: MED CLAW ENCLOSED DUPLEX 10 HP WITH TRANSDUCER	DRAWING NUMBER: MCEDI007	REVISION: A	SIZE: D

REVISION NOTES		
DESCRIPTION	ECN	PR/NOR
PRODUCTION RELEASE	PXEC0099	N/A

# MCEDI007

MED CLAW ENCLOSED  
 DUPLEX 10 HP WITH  
 TRANSDUCER



### LEGEND

	TEMP. SWITCH		VACUUM TRANSDUCER
	AIR FILTER		CHECK VALVE
	BALL VALVE		FLEX LINE
			UNION

NOTE:  
 A 1/4 INCH VENT PLUG IS  
 LOCATED IN EACH FILTER HOUSING.

- NOTES:
- 1) TSH - TEMPERATURE SWITCH HIGH
  - 2) PER NFPA THE SYSTEM WILL REQUIRE A SOURCE VALVE (SUPPLIED BY OTHERS).
  - 3) OUTLET SILENCER AND FLEX HOSES SHIP LOOSE FOR FIELD INSTALLATION.
  - 4.) INLET ASSEMBLY SHIPS LOOSE FOR FIELD INSTALLATION.

SYMBOL LEGEND		DRAWINGS TO CONFORM TO CURRENT REVISION OF THE FOLLOWING ANSI STANDARDS:	
TOLERANCES NOT SPECIFIED:		DO NOT SCALE DRAWING FOR DIMENSIONS	
0.001 ± .005	SOLID EDGE DRAWING		
0.002 ± .005			
0.005 ± .005			
		INCH	
		SHEET 2 OF 2	SCALE 1:10
<small>CONFIDENTIAL DISCLOSURE</small> This drawing is the property of POWERLEX of the SCOTT FETTER COMPANY and is subject to return on demand. Its contents are confidential and must not be copied or submitted to outside parties for use or examination.		<small>AUTHOR</small> gseaver	<small>ORIGINATION DATE</small> 2/1/2019
<small>APPROVALS ON FILE IN PLM</small>			
<small>ITEM NO.</small> 719750			
<small>MATERIAL</small> N/A		<small>150 PRODUCTION DRIVE, HARRISON OH 45030</small> <small>(888) 768-7079</small>	
<small>DESCRIPTION</small> MED CLAW ENCLOSED DUPLEX 10 HP WITH TRANSDUCER		<small>DRAWING NUMBER</small> MCEDI007	<small>REVISION</small> A
			<small>SIZE</small> D