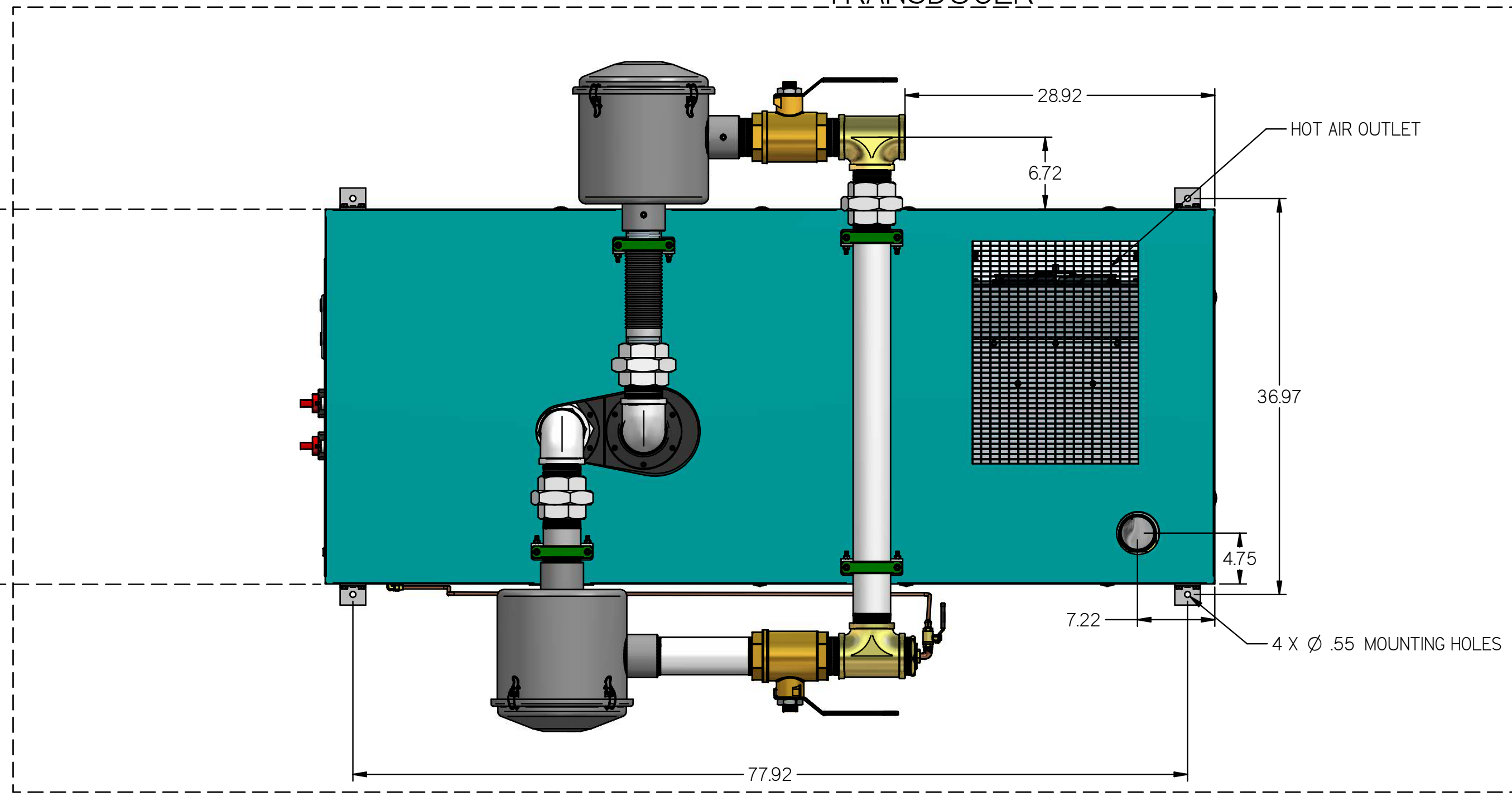


MCEDI507

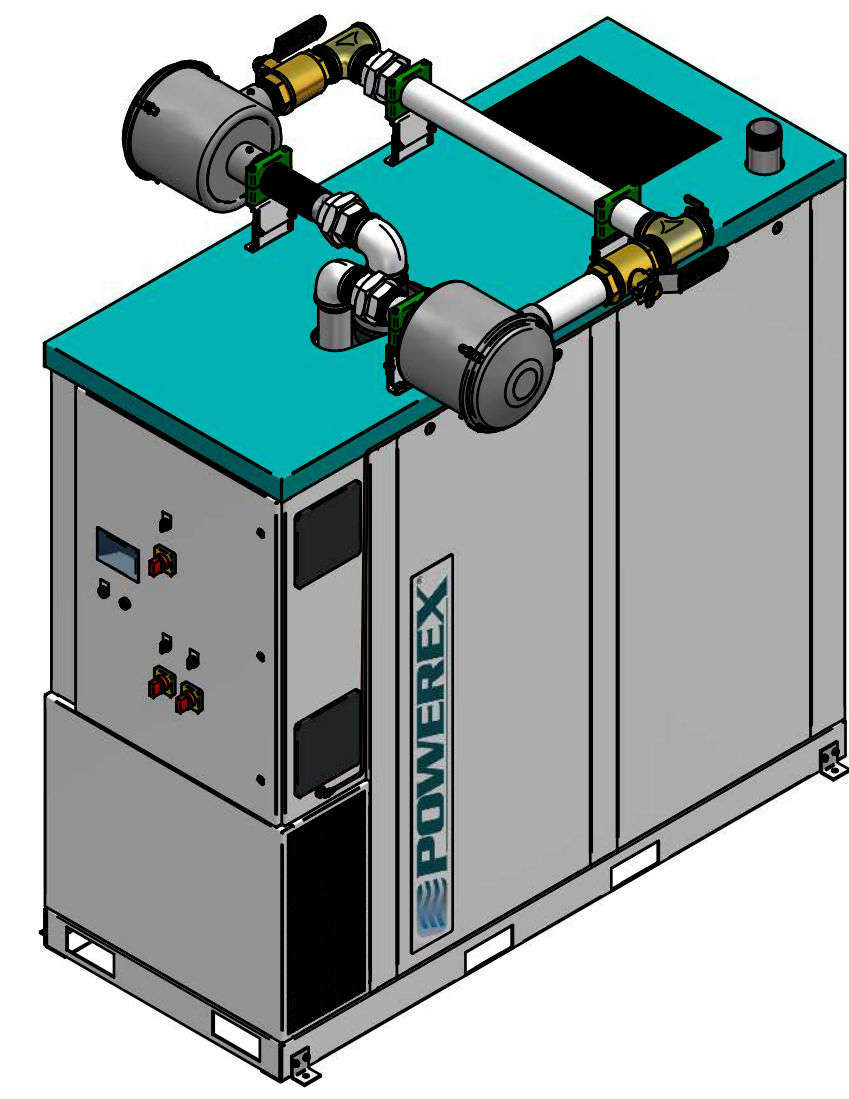
MED CLAW ENCLOSED
DUPLEX 15 HP WITH
TRANSDUCER

REVISION NOTES		
DESCRIPTION	ECN	PR/NOR
PRODUCTION RELEASE	PXEC0099	N/A

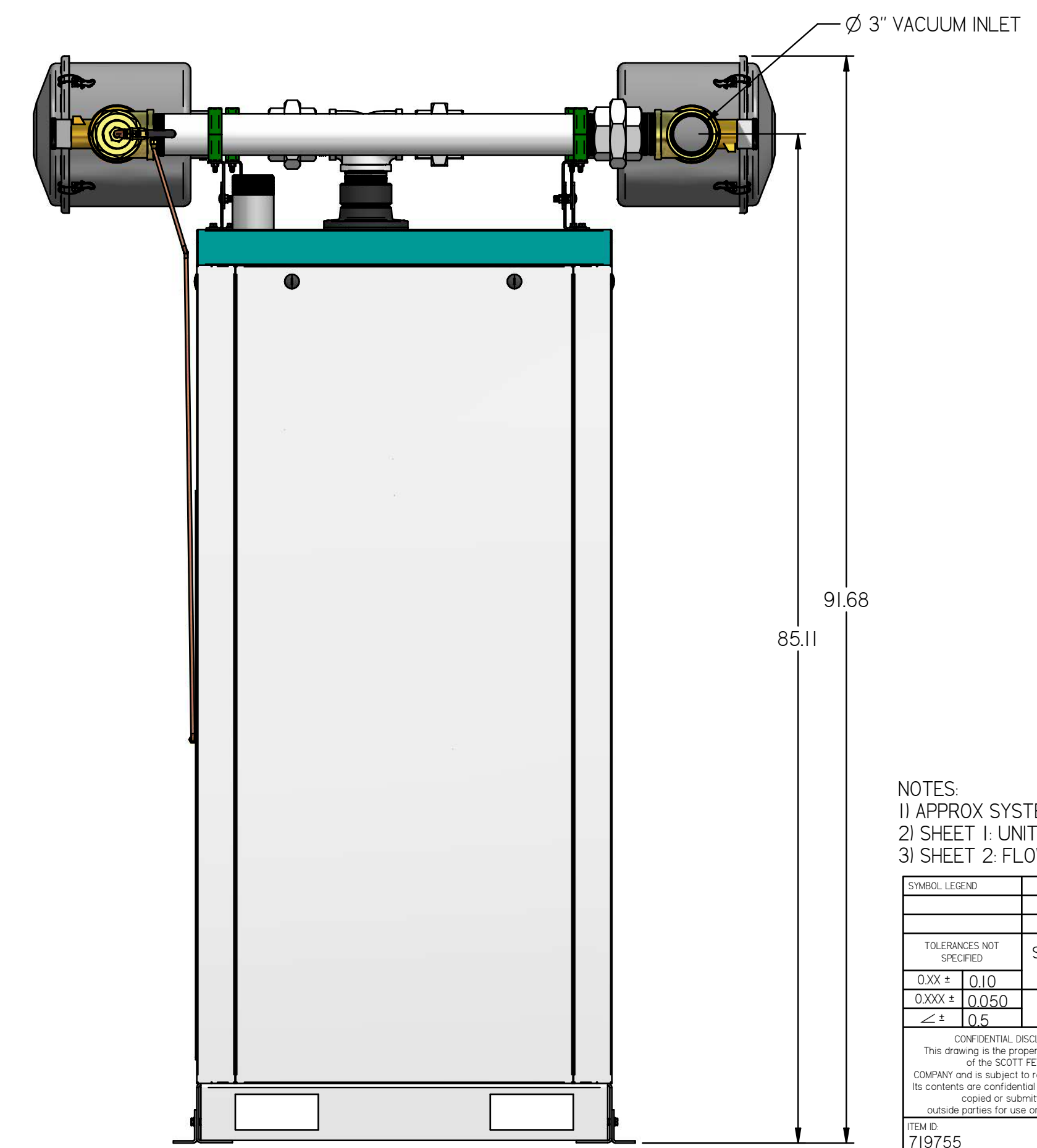
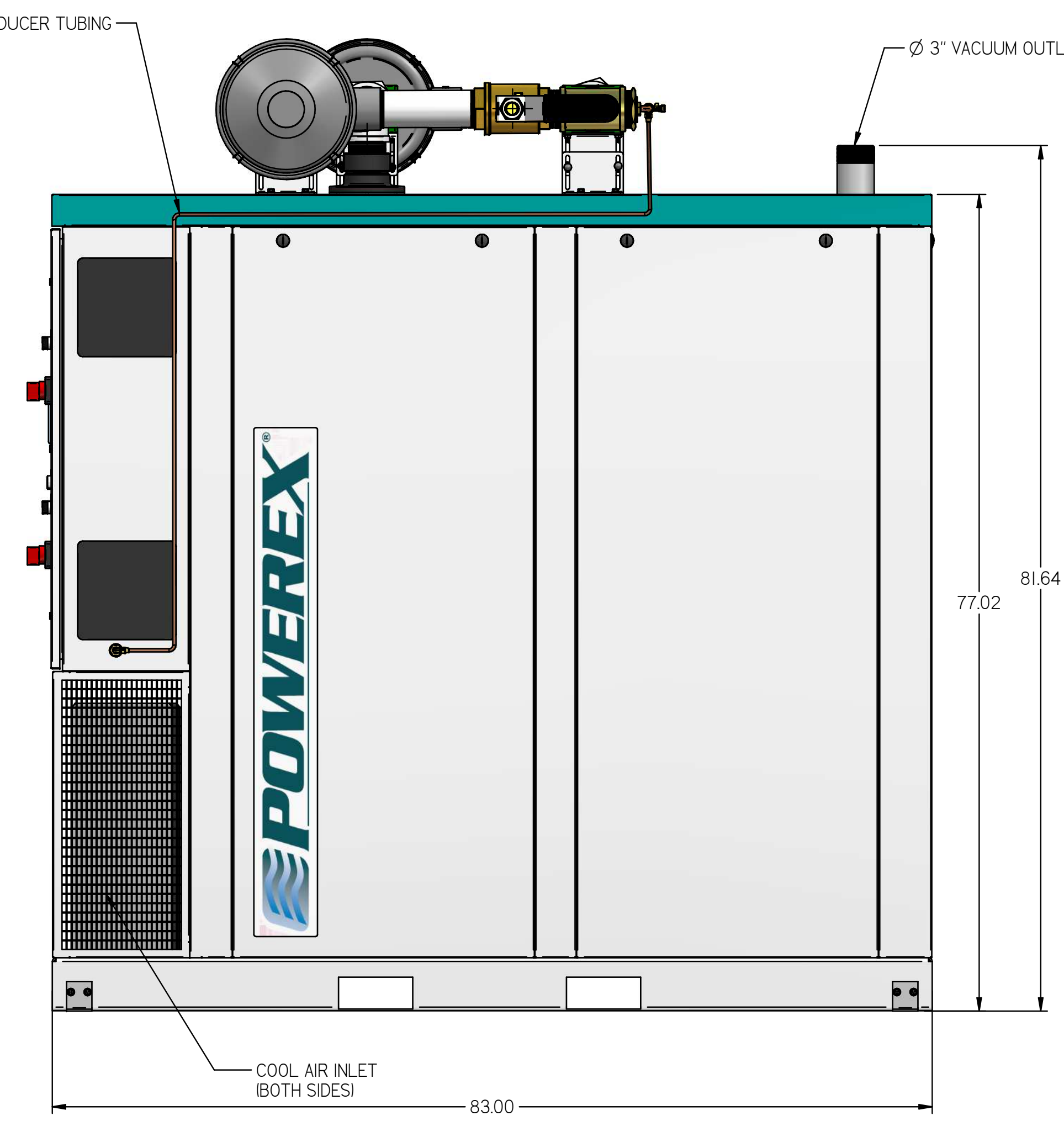
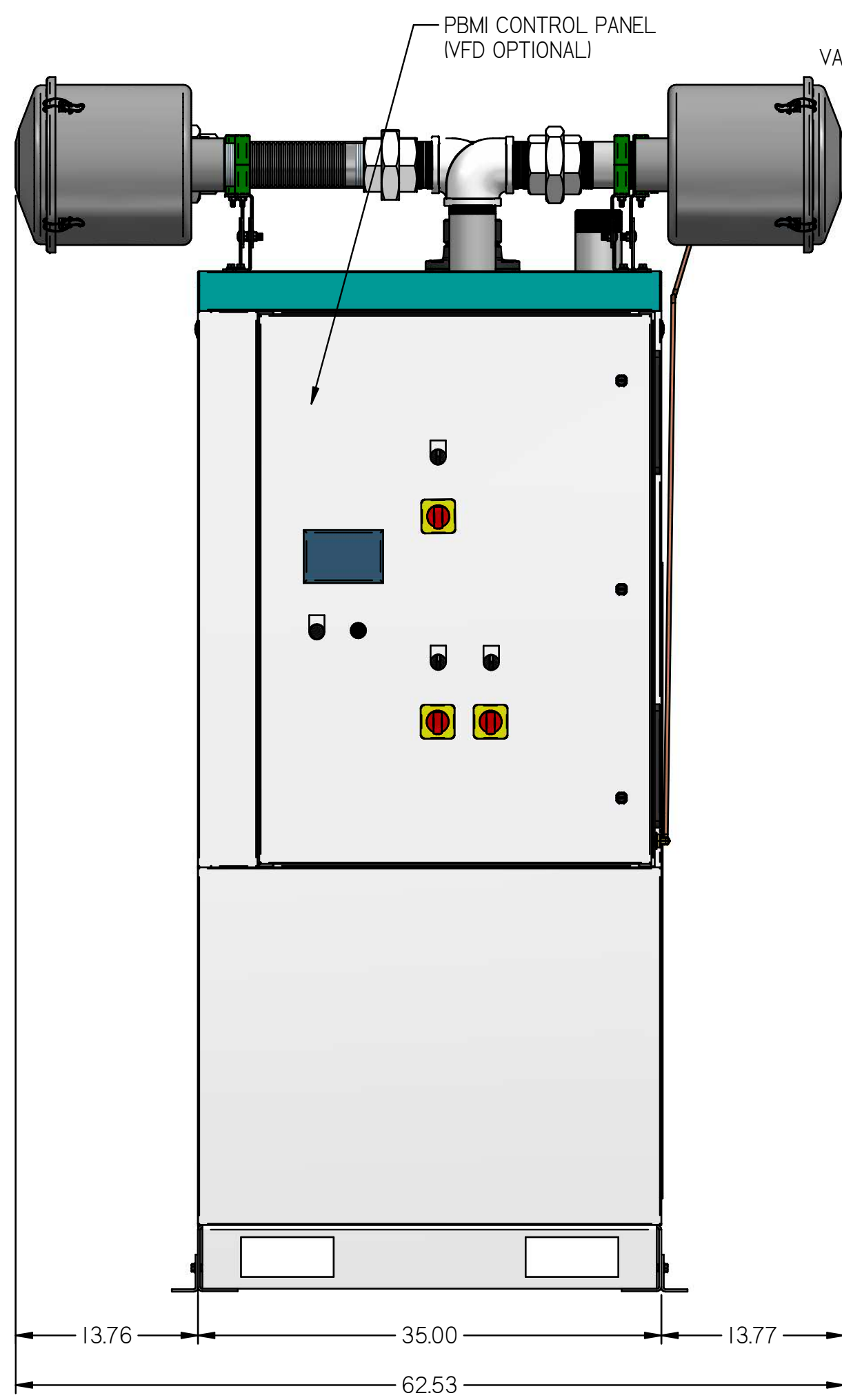
CONTROL PANEL CLEARANCE
PER OSHA/NEC REQUIREMENTS



RECOMMENDED MAINTENANCE
CLEARANCE 24" AROUND UNIT



1:20



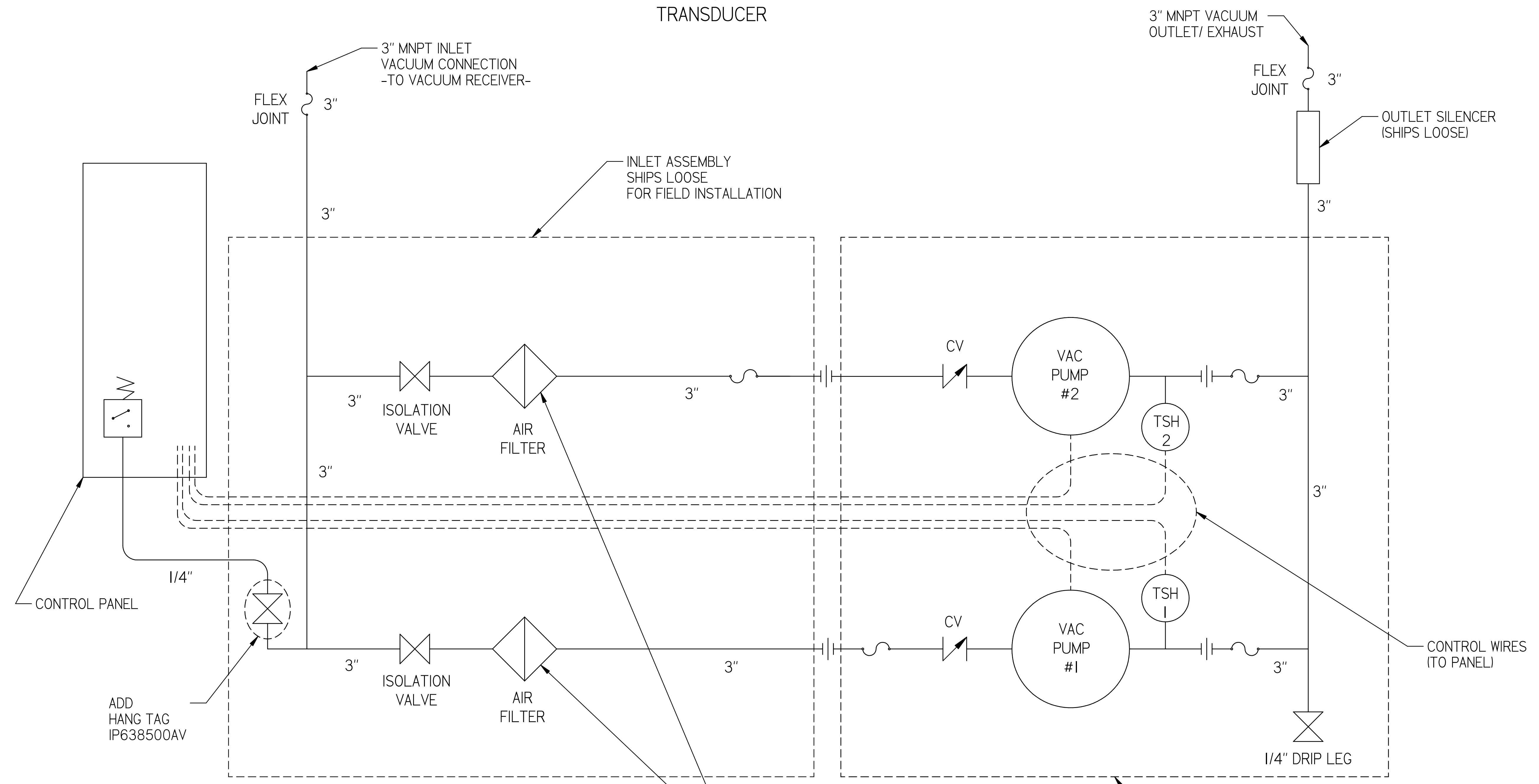
- NOTES:
1) APPROX SYSTEM WEIGHT: 4186 LB
2) SHEET 1: UNIT BUILD
3) SHEET 2: FLOW SCHEMATIC

SYMBOL LEGEND		DRAWINGS TO CONFORM TO CURRENT REVISION OF THE FOLLOWING ANSI STANDARDS:		
		Y14.3 MULTI AND SECTIONAL VIEW DIMS		
		Y14.5 DIMENSIONING AND TOLERANCING		
TOLERANCES NOT SPECIFIED:	SOLID EDGE DRAWING	DO NOT SCALE DRAWING FOR DIMENSIONS		
0.XXX ± 0.10	INCH	SHEET 1 OF 2	SCALE	1:10
0.XXX ± 0.050				
± 0.5				
<small>CONFIDENTIAL DISCLOSURE</small> This drawing is the property of POWEREX of the SCOTT FETTER COMPANY and is subject to return on demand. Its contents are confidential and must not be copied or submitted to outside parties for use or examination.		AUTHOR	ORIGINATION DATE	APPROVALS ON FILE IN PLM
DRAWING NUMBER: MCEDI507 REVISION: A		gseaver	2/4/2019	
DRAWING NUMBER: MCEDI507 REVISION: A				
DESCRIPTION: MED CLAW ENCLOSED DUPLEX 15 HP WITH TRANSDUCER		DRAWING NUMBER: MCEDI507 REVISION: A SIZE: D		

MCEDI507

MED CLAW ENCLOSED DUPLEX 15 HP WITH TRANSDUCER

REVISION NOTES		
DESCRIPTION	ECN	PR/NOR
PRODUCTION RELEASE	PXEC0099	N/A



NOTE:
A 1/4" VENT PLUG IS
LOCATED EACH FILTER HOUSING

LEGEND

	TSH	TEMP. SWITCH		VACUUM TRANSDUCER
	AIR FILTER		CHECK VALVE	
	BALL VALVE		FLEX LINE	
			UNION	

- NOTES:
- 1) TSH - TEMPERATURE SWITCH HIGH.
 - 2) PER NFPA THE SYSTEM WILL REQUIRE A SOURCE VALVE (SUPPLIED BY OTHERS)
 - 3) OUTLET SILENCER AND FLEX HOSES SHIP LOOSE FOR FIELD INSTALLATION.
 - 4) INLET ASSEMBLY SHIPS LOOSE FOR FIELD INSTALLATION.

SYMBOL LEGEND	DRAWINGS TO CONFORM TO CURRENT REVISION OF THE FOLLOWING ANSI STANDARDS: Y14.3 MULTI-VIEW Y14.3 SECTIONAL VIEW Y14.3 DIMENSIONING AND TOLERANCING		
TOLERANCES NOT SPECIFIED:	SOLID EDGE DRAWING	DO NOT SCALE DRAWING FOR DIMENSIONS	
0.XXX ± 0.10		SHEET 2 OF 2	SCALE 1:10
0.XXX ± 0.050	INCH		
± 0.5			
<small>CONFIDENTIAL DISCLOSURE</small> This drawing is the property of POWEREX of the SCOTT FETTER COMPANY and is subject to return on demand. Its contents are confidential and must not be copied or submitted to outside parties for use or examination.		<small>AUTHOR</small> gseaver	<small>ORIGINATION DATE</small> 2/4/2019
<small>PROJ#</small> 719755			
<small>MATERIAL</small> N/A		<small>150 PRODUCTION DRIVE, HARRISON OH 45030</small> <small>(888) 768-7079</small>	
<small>DESCRIPTION</small> MED CLAW ENCLOSED DUPLEX 15 HP WITH TRANSDUCER		<small>DRAWING NUMBER</small> MCEDI507	<small>REVISION</small> A
		<small>SIZE</small> D	

