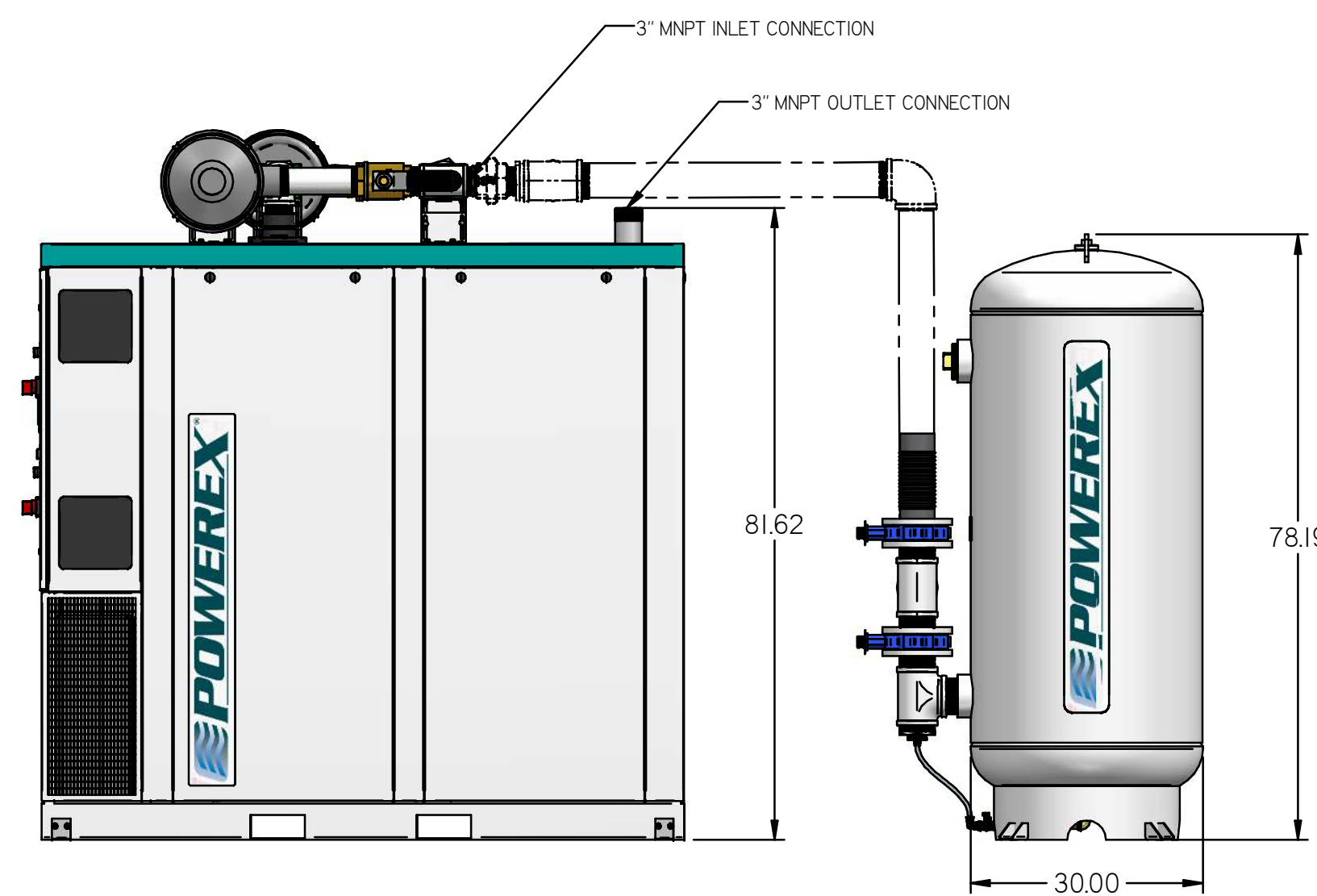
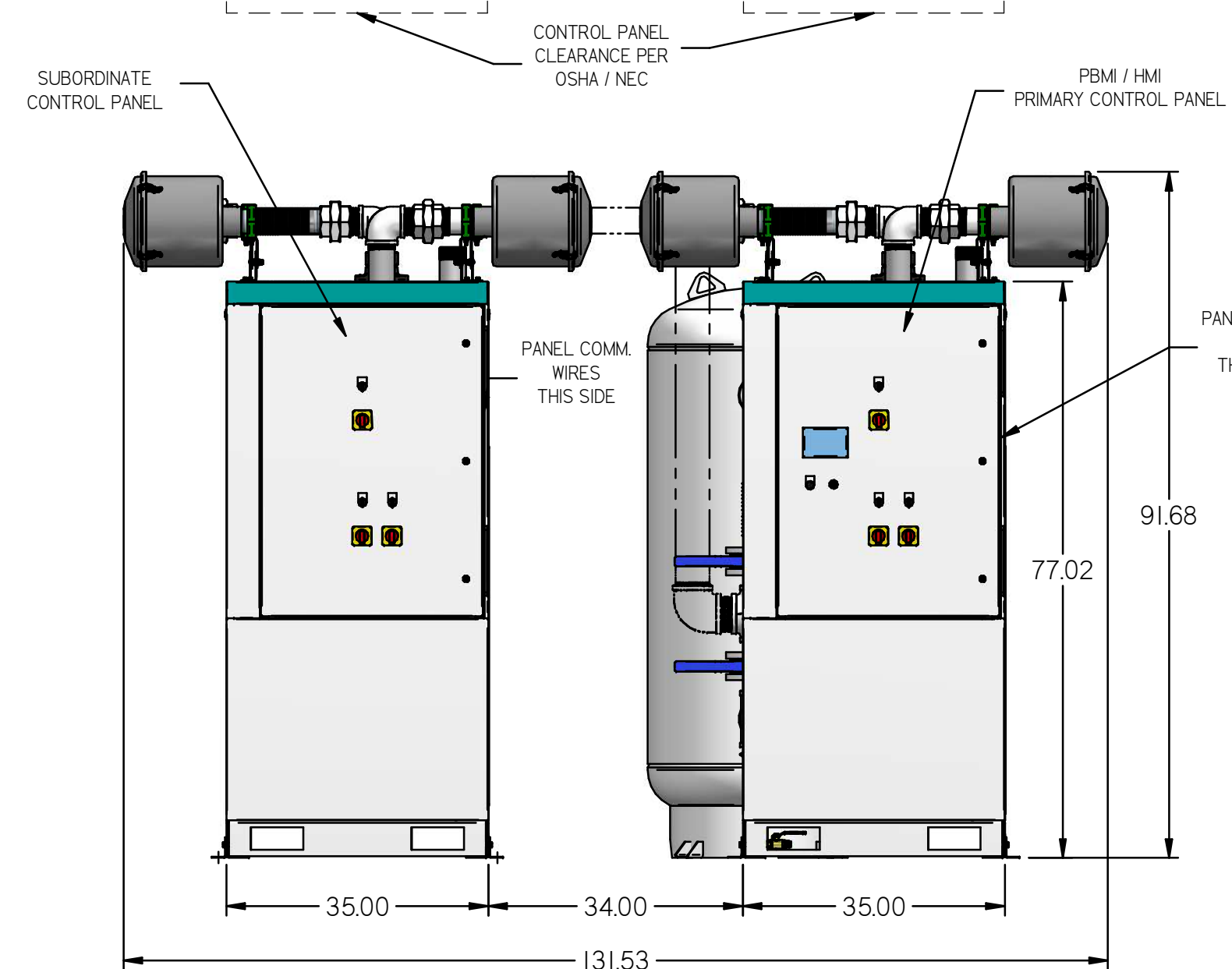
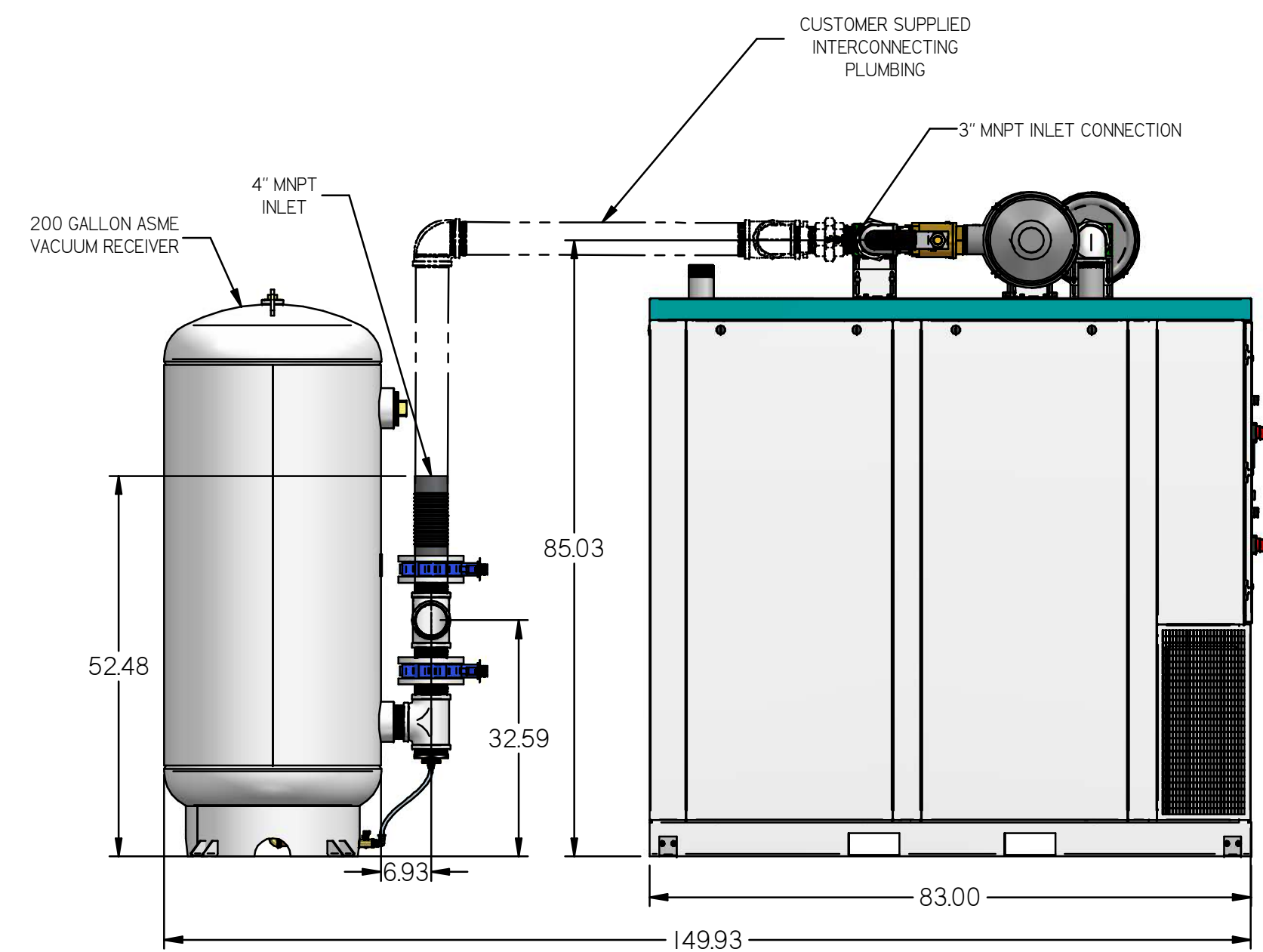
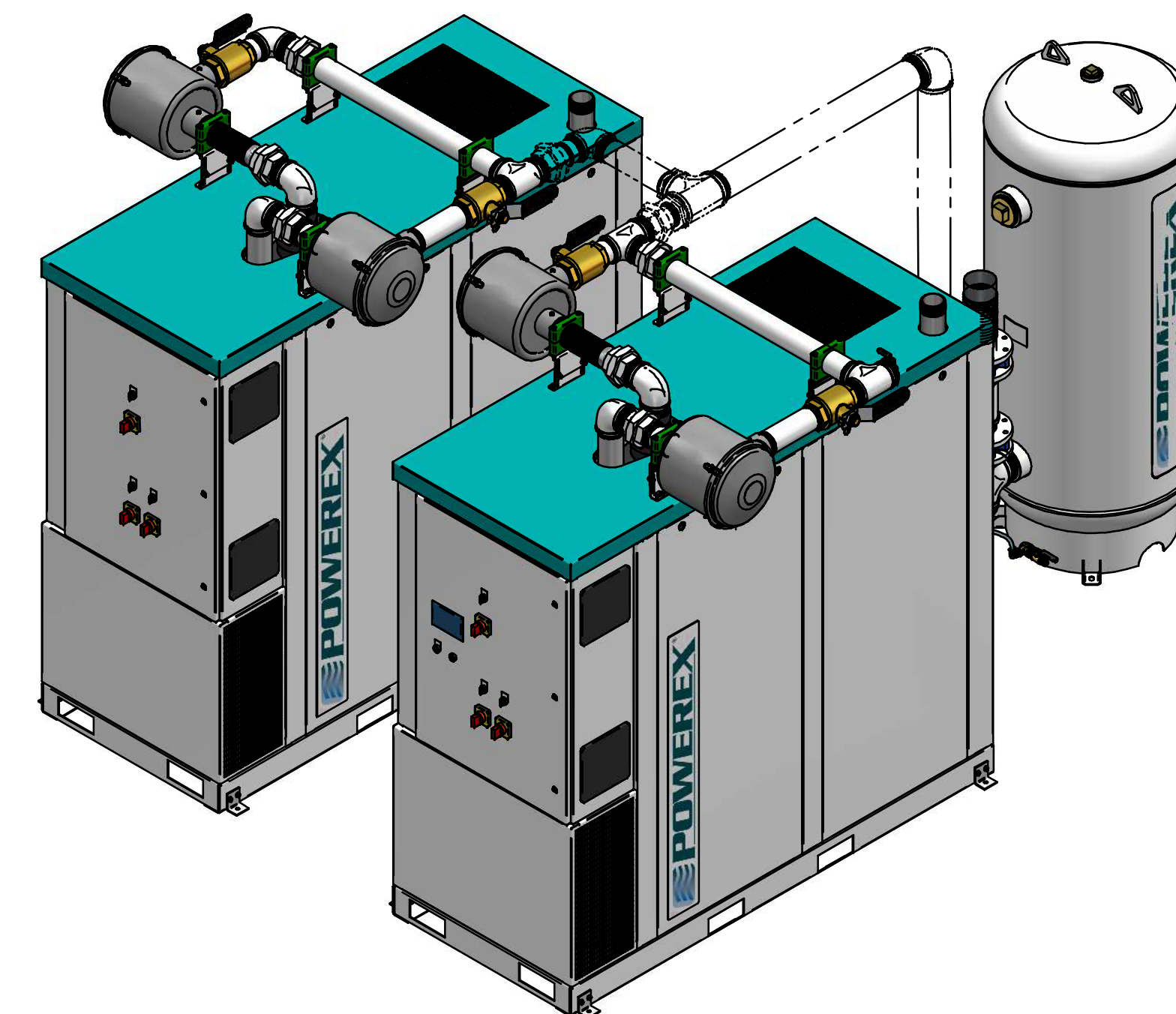
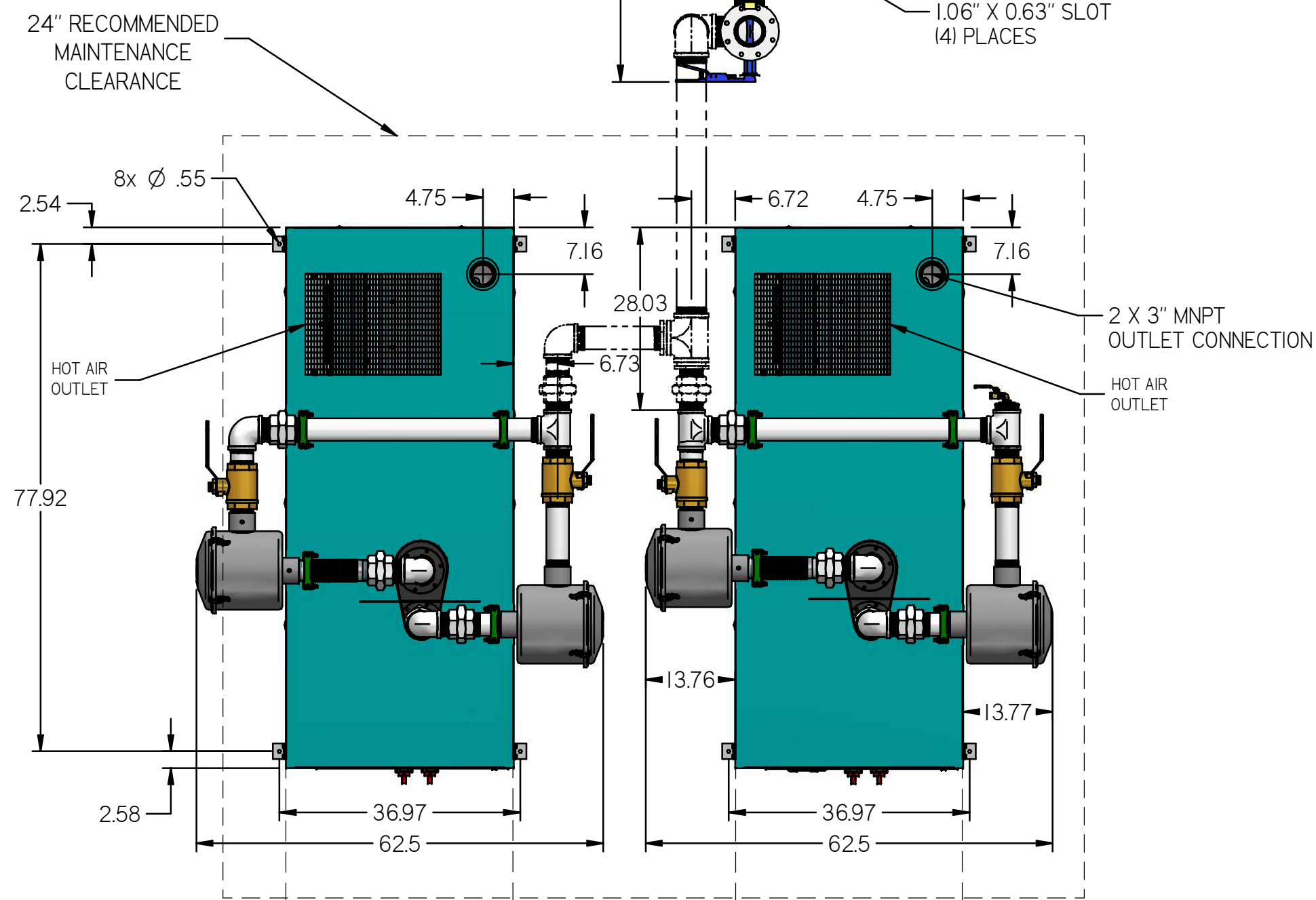
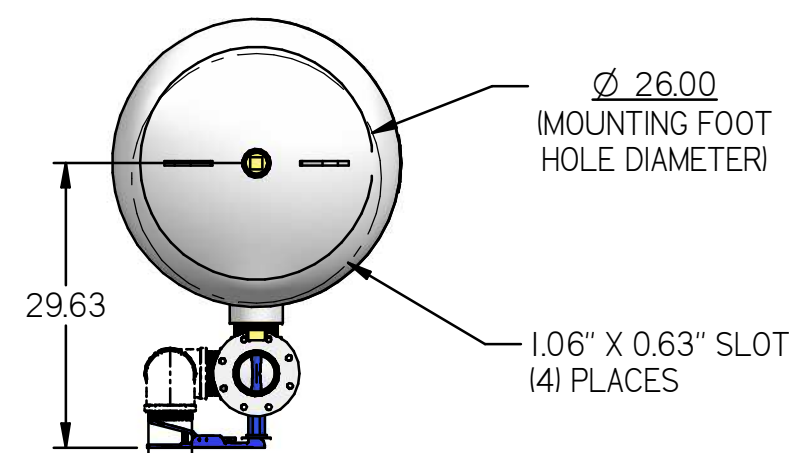


MCEQ1005

MED CLAW ENCLOSED QUADPLEX 10 HP 200 GAL

REVISION NOTES		
DESCRIPTION	ECN	PR/NOR
PRODUCTION RELEASE	PXECO099	N/A



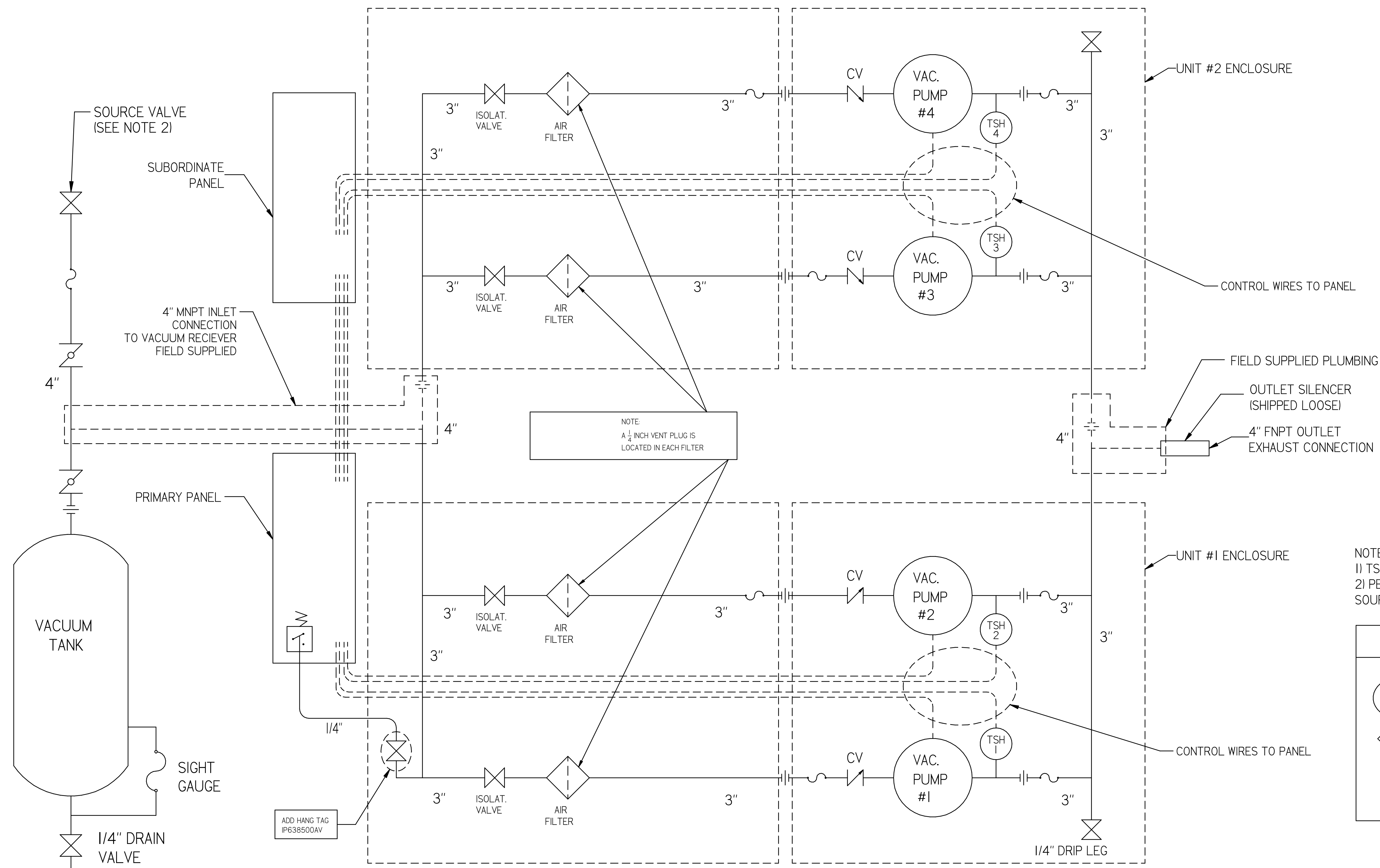
- NOTES:
1) APPROX SYSTEM WEIGHT: 7394 LB
2) FINAL SYSTEM DIMENSIONS DEPENDENT UPON INSTALLATION CONFIGURATION. MAINTENANCE CLEARANCE MUST BE MAINTAINED IN INSTALLATION CONFIGURATION.
3) SHEET 1: UNIT BUILD
4) SHEET 2: FLOW SCHEMATIC

SYMBOL LEGEND		DRAWINGS TO CONFORM TO CURRENT REVISION OF THE FOLLOWING ANSI STANDARDS: Y14.3 MULTI AND SECTIONAL VIEW DWGS Y14.5 DIMENSIONING AND TOLERANCING	
TOLERANCES NOT SPECIFIED	SOLID EDGE DRAWING	DO NOT SCALE DRAWING FOR DIMENSIONS	
0.001 ± .05	INCH	SHEET 1 OF 2	SCALE 1:20
0.005 ± .005			
CONFIDENTIAL DISCLOSURE This drawing is the property of POWEREX or the SCOTT FETTER COMPANY and is subject to return on demand. Its contents are confidential and must not be copied or submitted to outside parties for use or examination.		AUTHOR	APPROVALS ON FILE IN PLM
DRAWING NUMBER: 718741		gseaver	2/8/2019
MATERIAL: N/A			
DESCRIPTION: MED CLAW ENCLOSED QUADPLEX 10 HP 200 GAL	DRAWING NUMBER: MCEQ1005	REVISION: B	SIZE: D

MCEQ1005

MED CLAW ENCLOSED
QUADPLEX 10 HP 200 GAL

REVISION NOTES		
DESCRIPTION	ECN	PR/NOR
PRODUCTION RELEASE	PXECO099	N/A



NOTE
A 1/2 INCH VENT PLUG IS
LOCATED IN EACH FILTER

- NOTES:
1) TSH - TEMPERATURE SWITCH HIGH
2) PER NFPA THE SYSTEM WILL REQUIRE A
SOURCE VALVE (SUPPLIED BY OTHERS).

LEGEND	
(TSH)	TEMP. SWITCH
(AIR FILTER)	AIR FILTER
(BALL VALVE)	BALL VALVE
(BUTTERFLY BALL VALVE)	BUTTERFLY BALL VALVE
(VACUUM TRANSDUCER)	VACUUM TRANSDUCER
(CHECK VALVE)	CHECK VALVE
(FLEX LINE)	FLEX LINE
(UNION)	UNION

SYMBOL LEGEND		DRAWINGS TO CONFORM TO CURRENT REVISION OF THE FOLLOWING ANSI STANDARDS:		
TOLERANCES NOT SPECIFIED	SOLID EDGE DRAWING	Y14.3 MULTI AND SECTIONAL VIEW DIMS	Y14.5 DIMENSIONING AND TOLERANCING	
0.001 ± .005	INCH	DO NOT SCALE DRAWING FOR DIMENSIONS		
0.0001 ± .005		SHEET 2 OF 2	SCALE 1:1	
<small>CONFIDENTIAL DISCLOSURE</small> This drawing is the property of POWEREX or the SCOTT FETTER COMPANY and is subject to return on demand. Its contents are confidential and must not be copied or submitted to outside parties for use or examination.		AUTHOR	ORIGINATION DATE	APPROVALS ON FILE IN PLM
TITLE: 718741 MATERIAL: N/A		gseaver	2/8/2019	
DESCRIPTION: MED CLAW ENCLOSED QUADPLEX 10 HP 200 GAL		DRAWING NUMBER: MCEQ1005		REVISION: B SIZE: D

