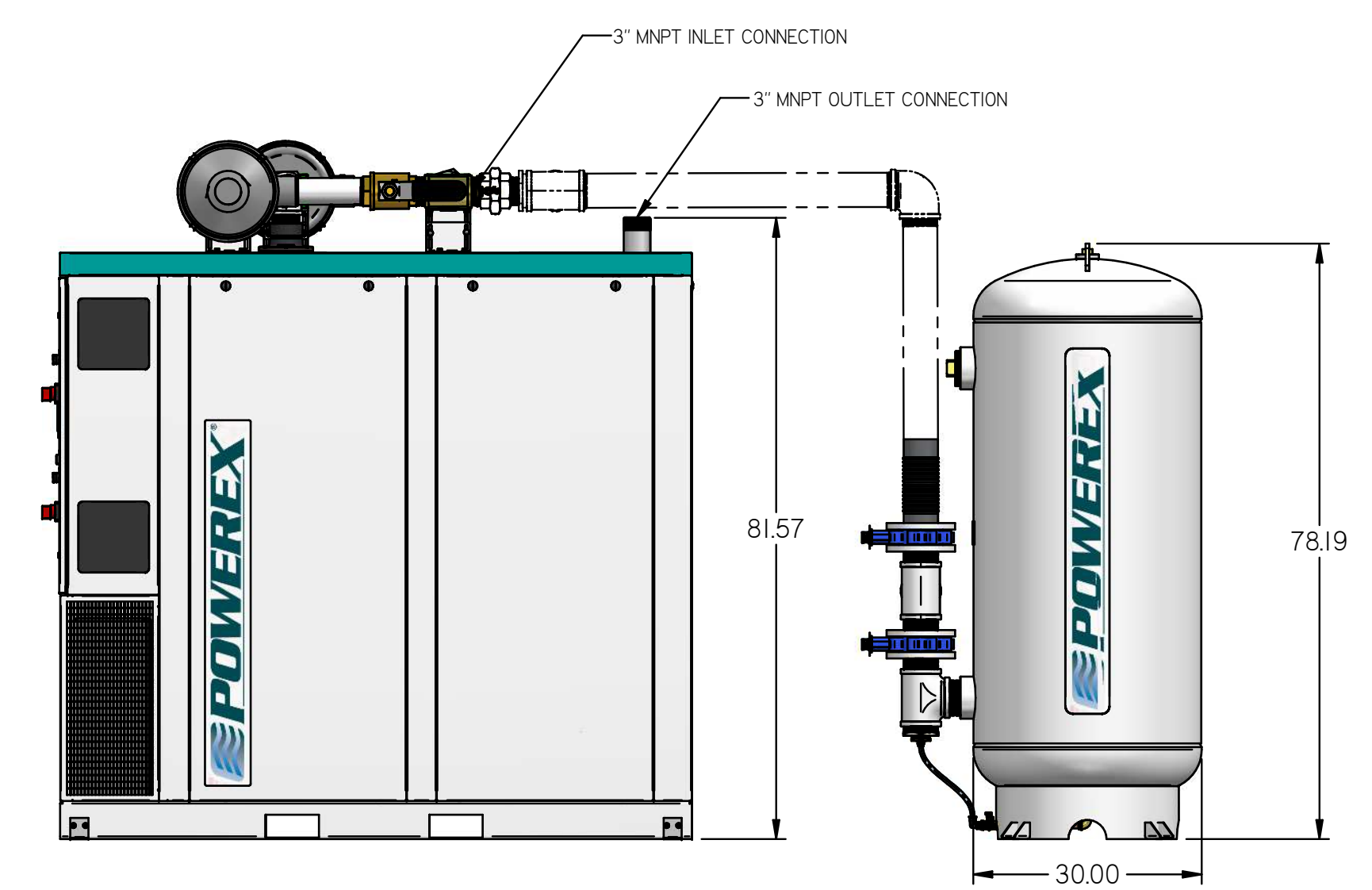
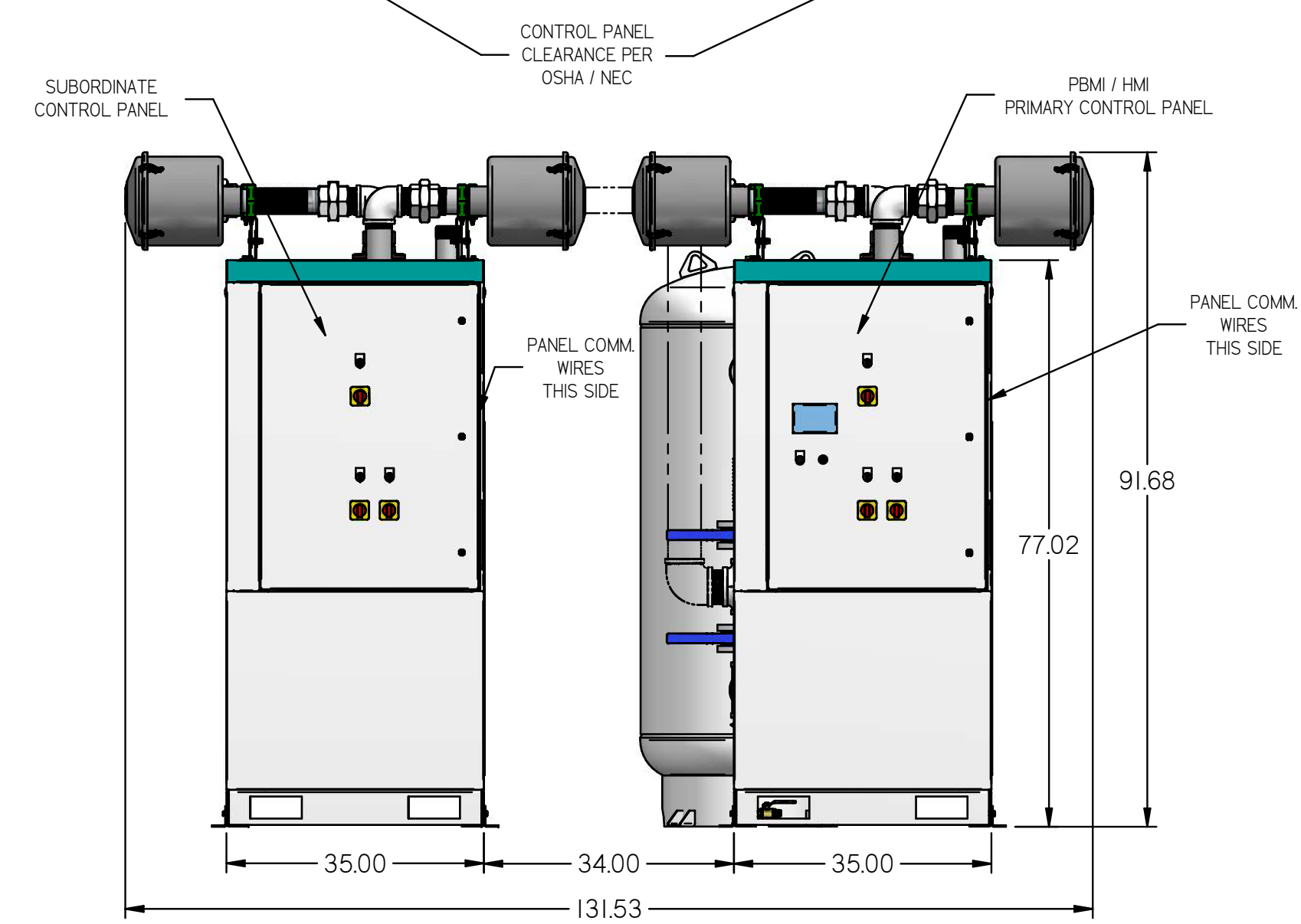
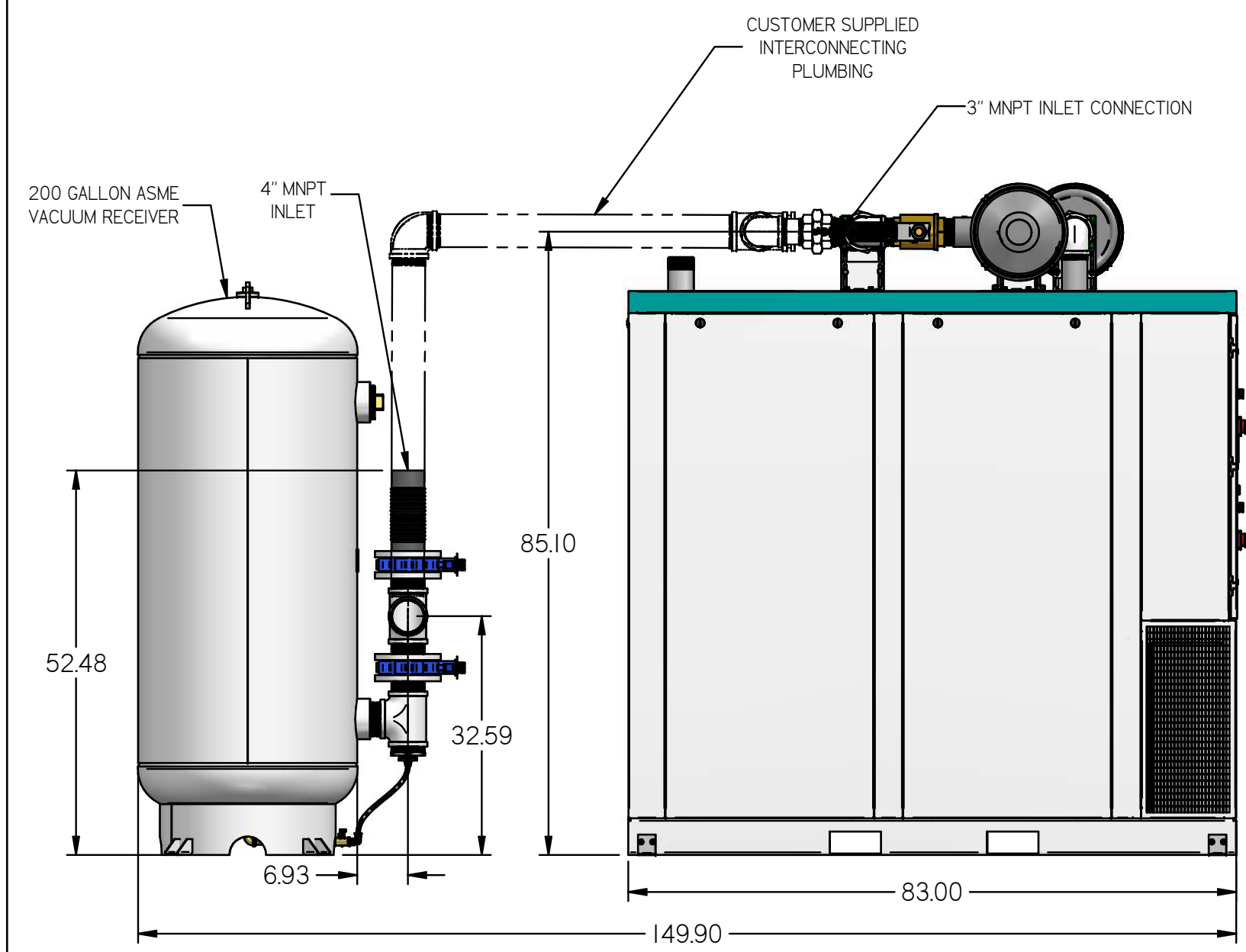
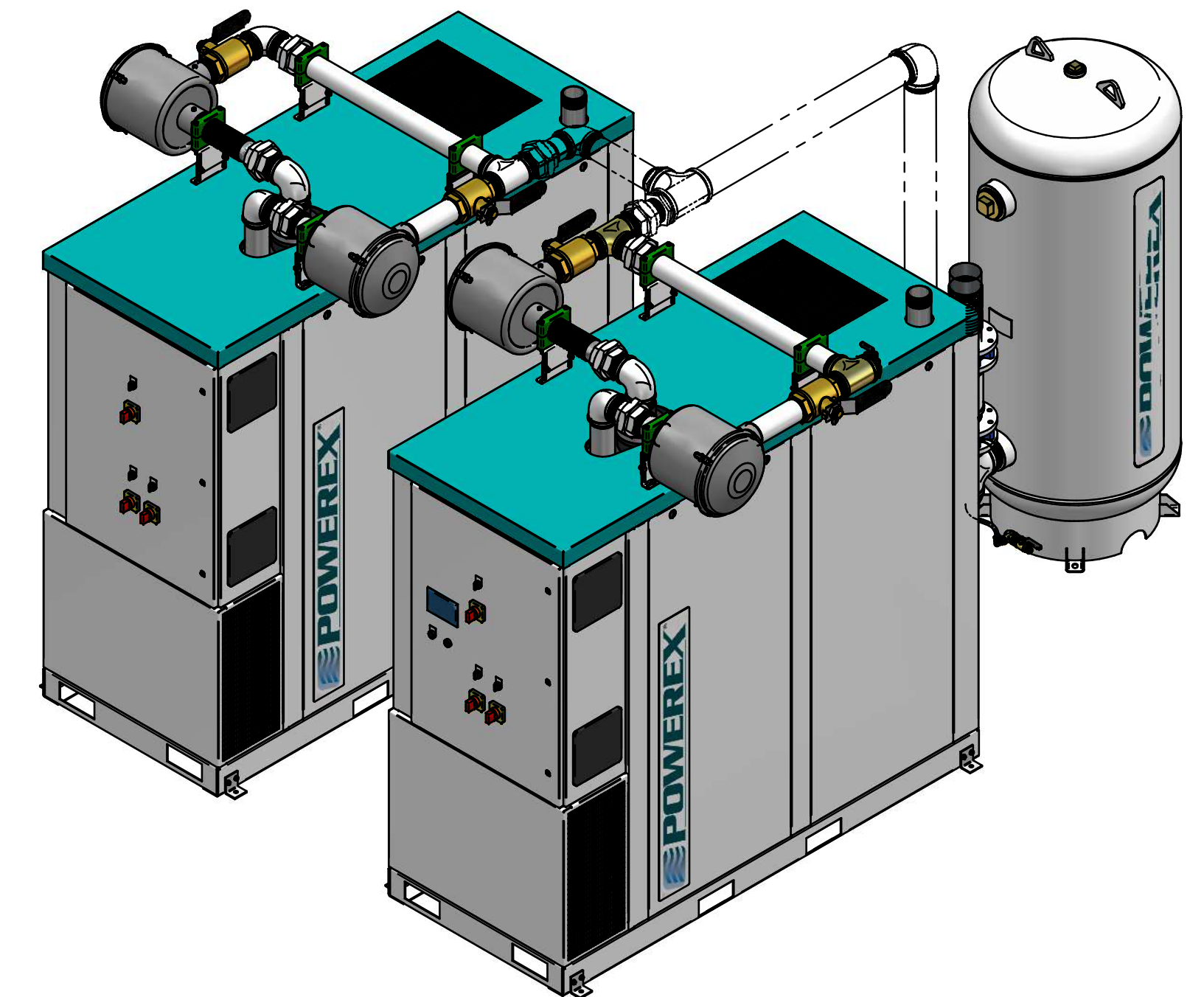
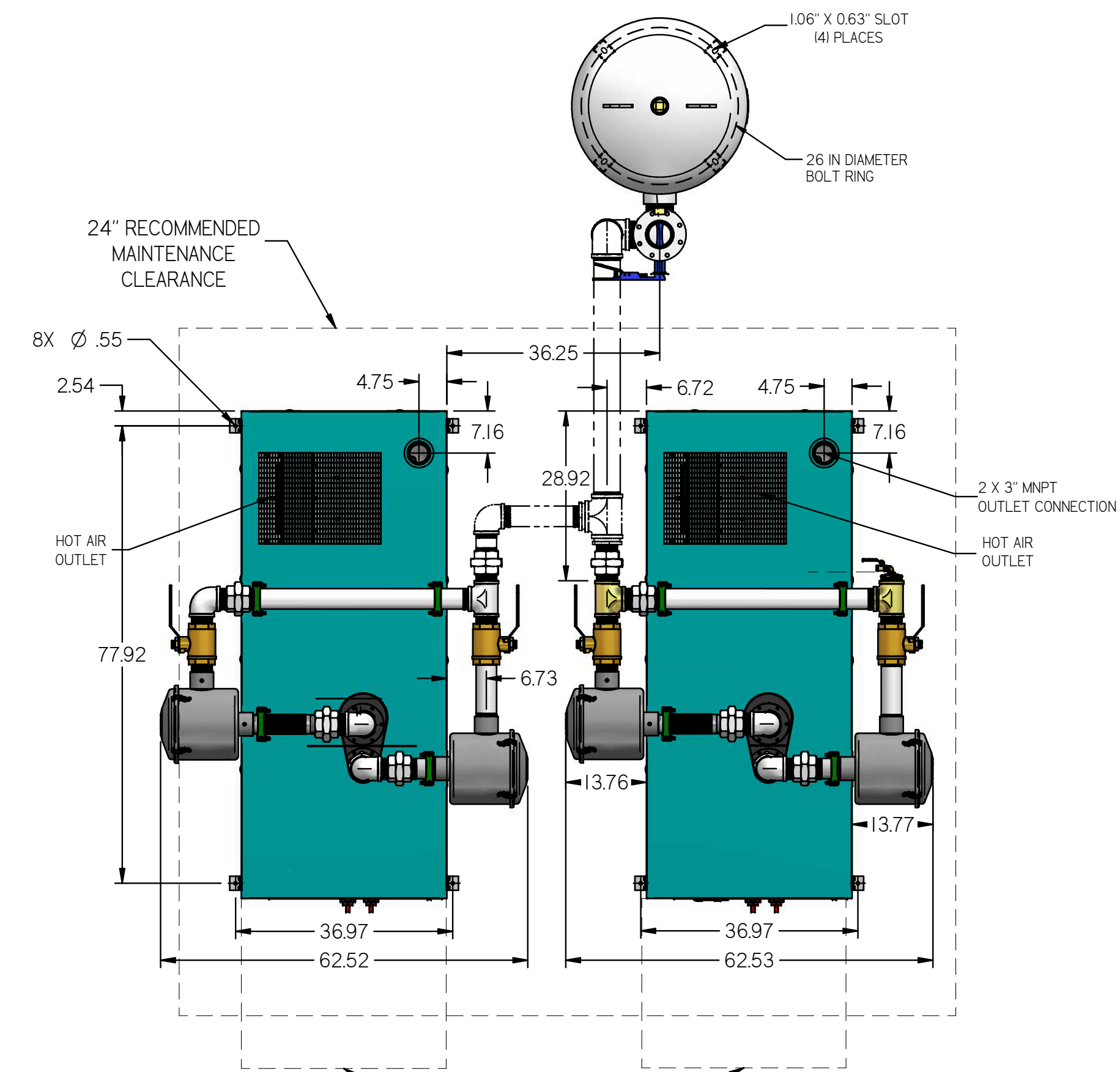


MCEQ1505

MED ENCLOSED CLAW QUADPLEX 15 HP 200 GAL

REVISION NOTES		
DESCRIPTION	ECN	PR/NOR
RELEASE TO PRODUCTION	PXEC0099	N/A



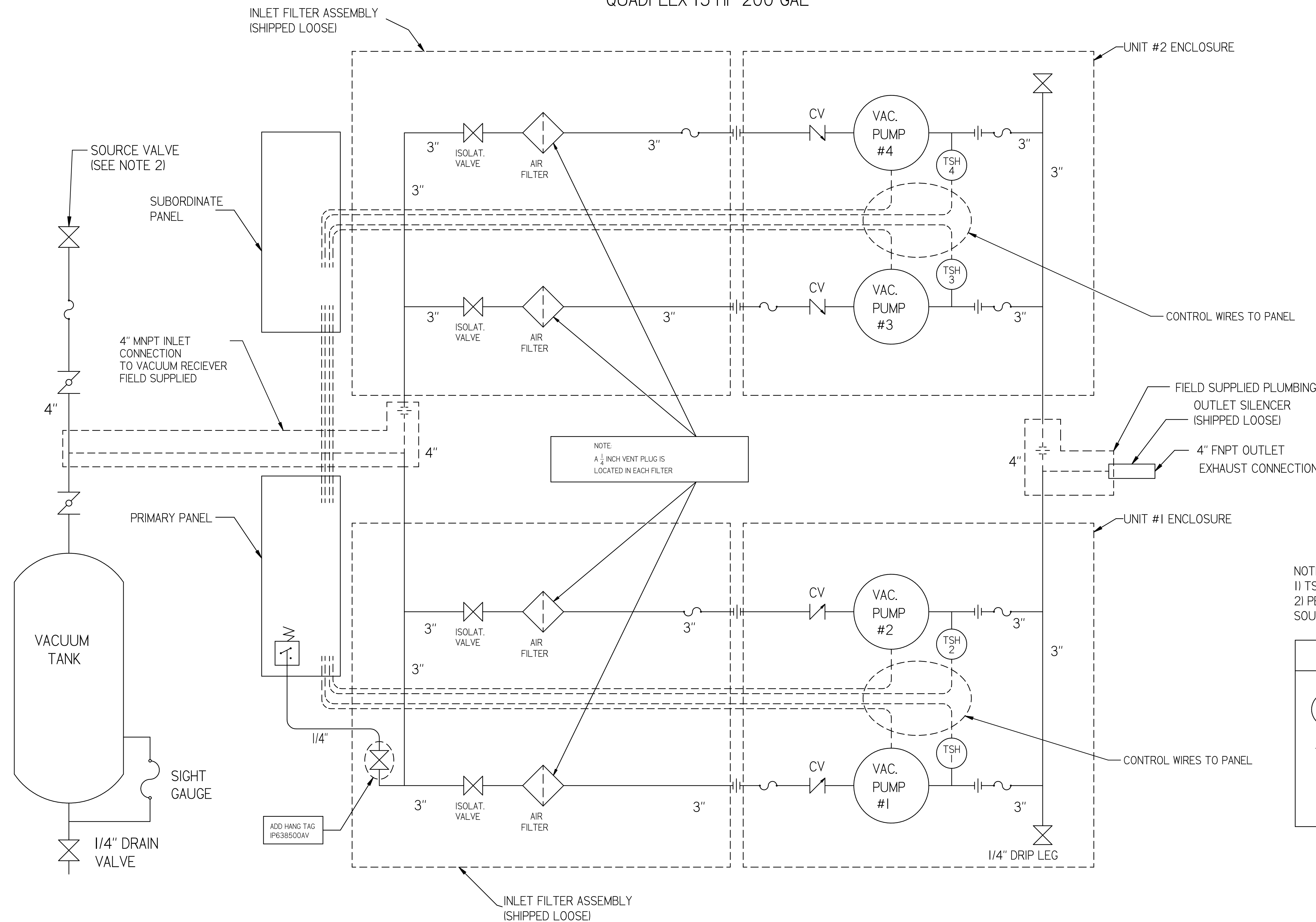
- NOTES:
1) APPROX SYSTEM WEIGHT: 8219 LB
2) FINAL SYSTEM DIMENSIONS DEPENDENT UPON INSTALLATION CONFIGURATION. MAINTENANCE CLEARANCE MUST BE MAINTAINED IN INSTALLATION CONFIGURATION.
3) SHEET 1: UNIT BUILD
4) SHEET 2: FLOW SCHEMATIC

SYMBOL LEGEND		DRAWINGS TO CONFORM TO CURRENT REVISION OF THE FOLLOWING ANSI STANDARDS:	
TOLERANCES NOT SPECIFIED	SOLID EDGE DRAWING	DO NOT SCALE DRAWING FOR DIMENSIONS	
0.XXX ± .05	INCH	SHEET 1 OF 2	SCALE 1:20
0.XXX ± .005			
CONFIDENTIAL DISCLOSURE This drawing is the property of POWEREX of the SCOTT FETTER COMPANY and is subject to return on demand. Its contents are confidential and must not be copied or submitted to outside parties for use or examination.		AUTHOR	APPROVALS ON FILE IN PLM
DRAWER: 718738		gseaver	1/24/2019
MATERIAL: N/A			
DESCRIPTION: MED ENCLOSED CLAW QUADPLEX 15 HP 200 GAL			
DRAWING NUMBER: MCEQ1505		REVISION: B	SIZE: D

MCEQ1505

MED ENCLOSED CLAW QUADPLEX 15 HP 200 GAL

REVISION NOTES		
DESCRIPTION	ECN	PR/NOR
RELEASE TO PRODUCTION	PXEC0099	N/A



- NOTES:
- 1) TSH - TEMPERATURE SWITCH HIGH
 - 2) PER NFPA THE SYSTEM WILL REQUIRE A SOURCE VALVE (SUPPLIED BY OTHERS).

LEGEND	
(TSH)	TEMP. SWITCH
◇	AIR FILTER
⊗	BALL VALVE
⊘	BUTTERFLY BALL VALVE
[Symbol]	VACUUM TRANSDUCER
[Symbol]	CHECK VALVE
[Symbol]	FLEX LINE
[Symbol]	UNION

SYMBOL LEGEND	DRAWINGS TO CONFORM TO CURRENT REVISION OF THE FOLLOWING ANSI STANDARDS: #14.3 MULTI AND SECTIONAL VIEW DIMS #14.5 DIMENSIONING AND TOLERANCING
TOLERANCES NOT SPECIFIED: 0.001 ± .005 0.003 ± .005 1/16 ± .005	SOLID EDGE DRAWING DO NOT SCALE DRAWING FOR DIMENSIONS
CONFIDENTIAL DISCLOSURE This drawing is the property of POWEREX of the SCOTT FETTER COMPANY and is subject to return on demand. Its contents are confidential and must not be copied or submitted to outside parties for use or examination.	SHEET 2 OF 2 SCALE 1:1
ITEM NO: 718738 MATERIAL: N/A	AUTHOR: gseaver ORIGINATION DATE: 1/24/2019 APPROVALS ON FILE IN PLM
DESCRIPTION: MED ENCLOSED CLAW QUADPLEX 15 HP 200 GAL	DRAWING NUMBER: MCEQ1505 REVISION: B SIZE: D

