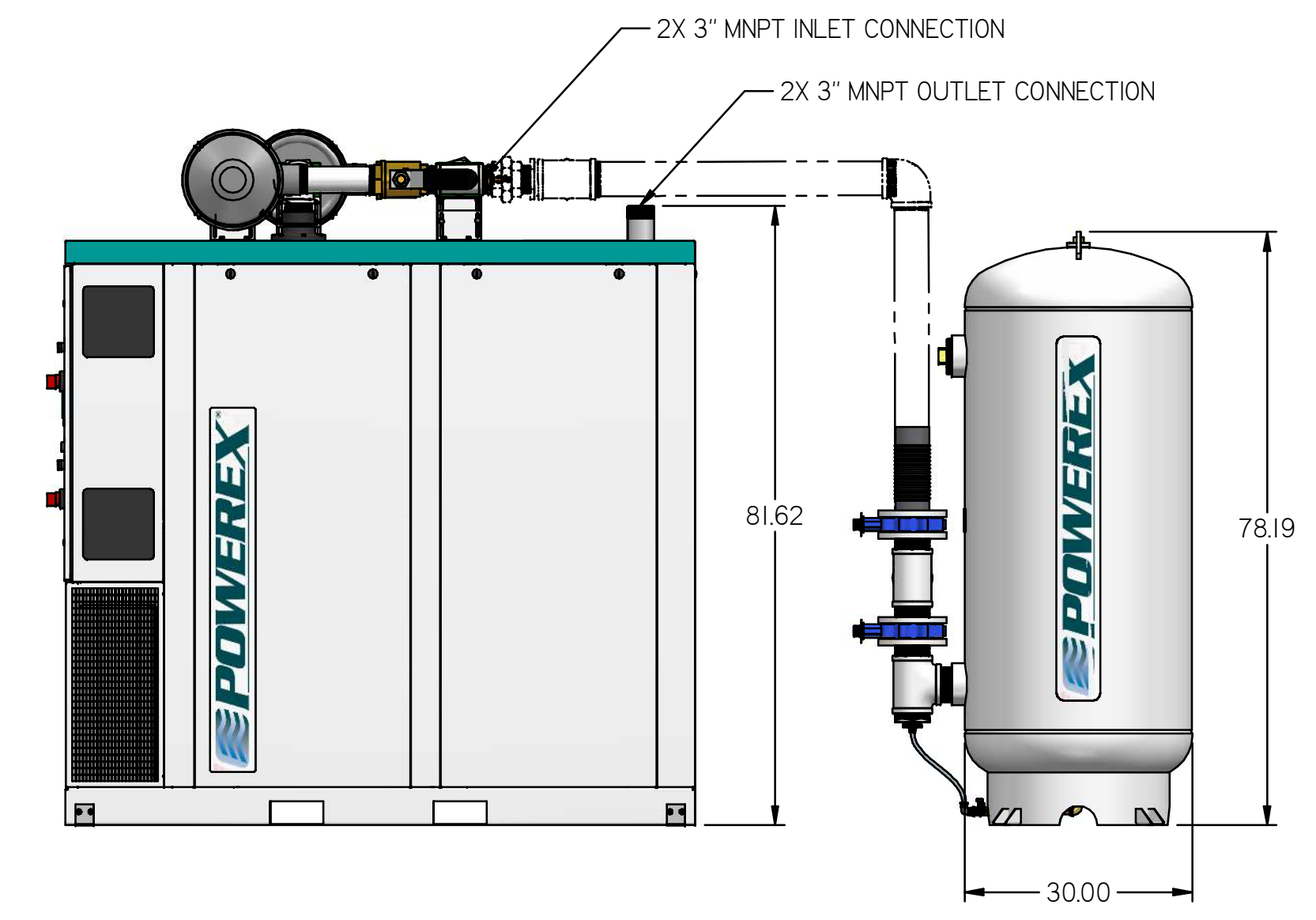
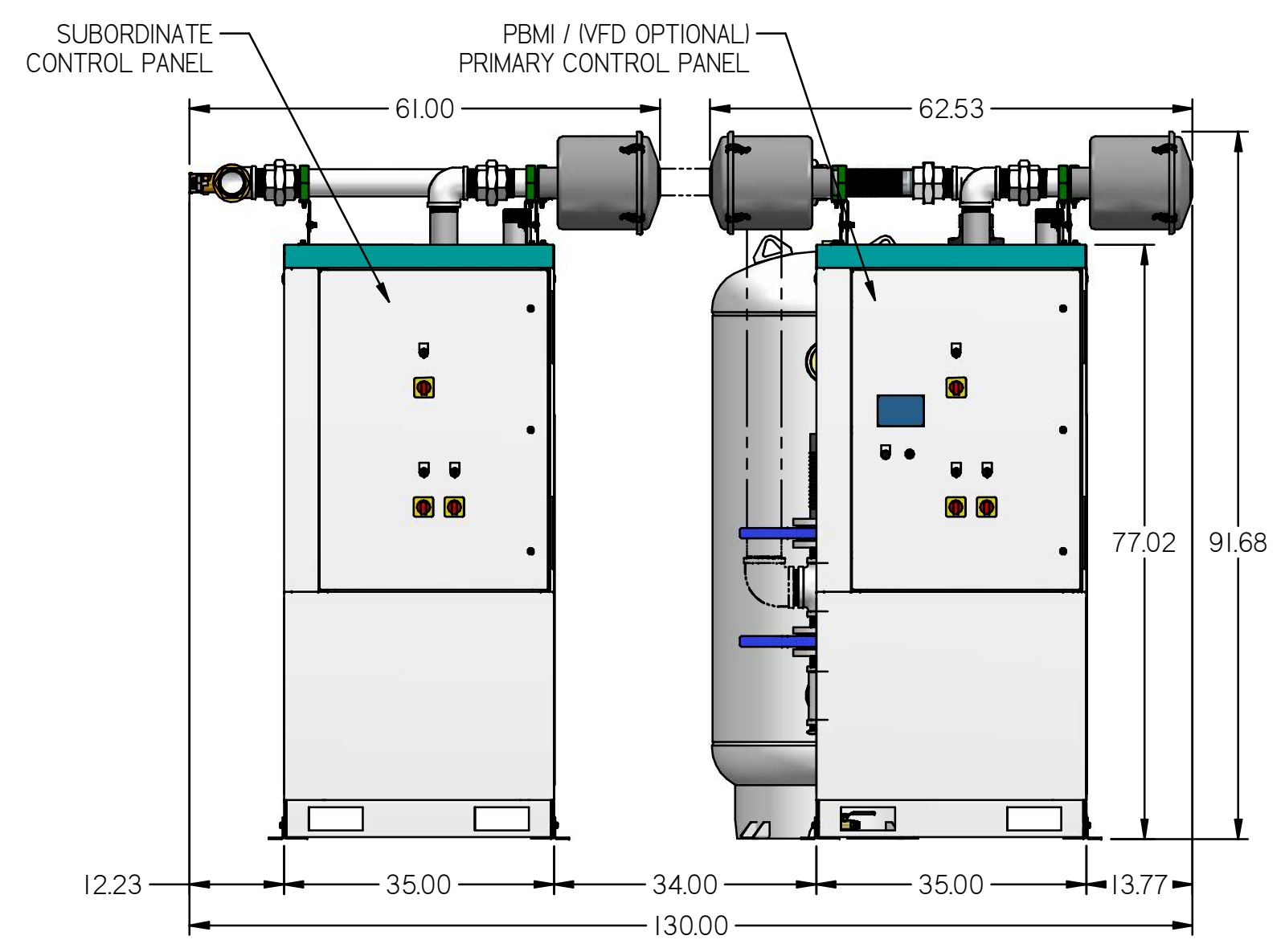
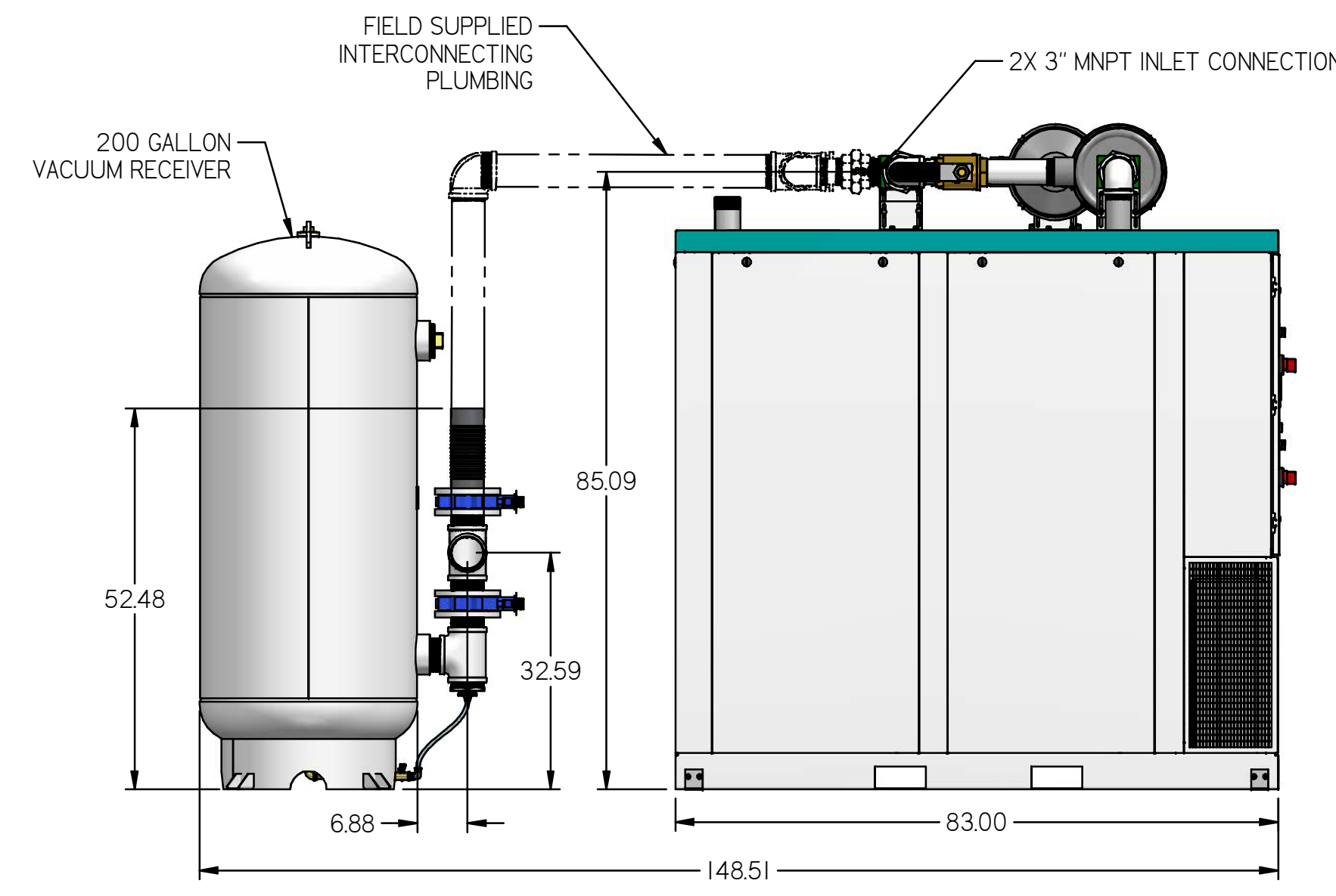
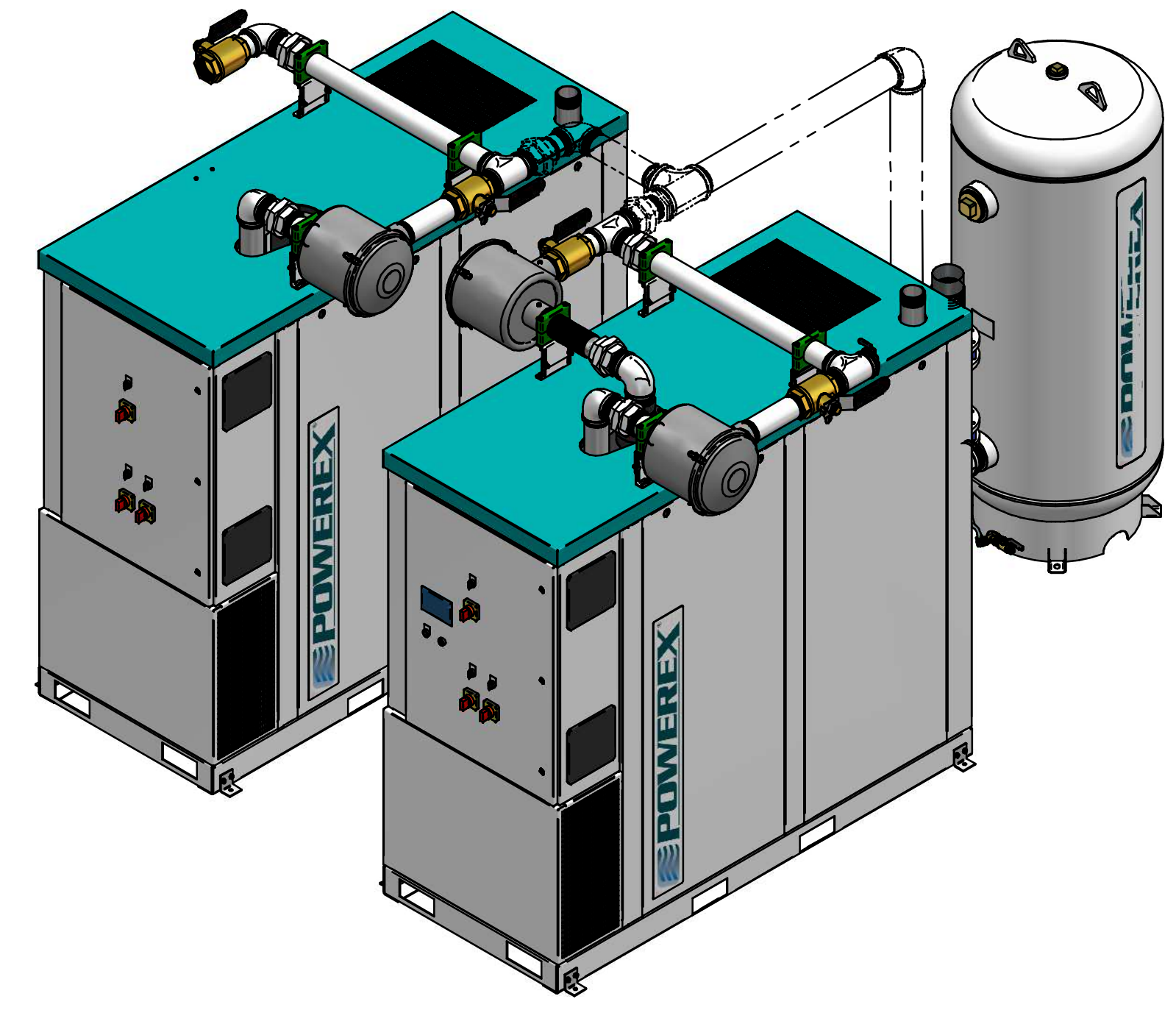
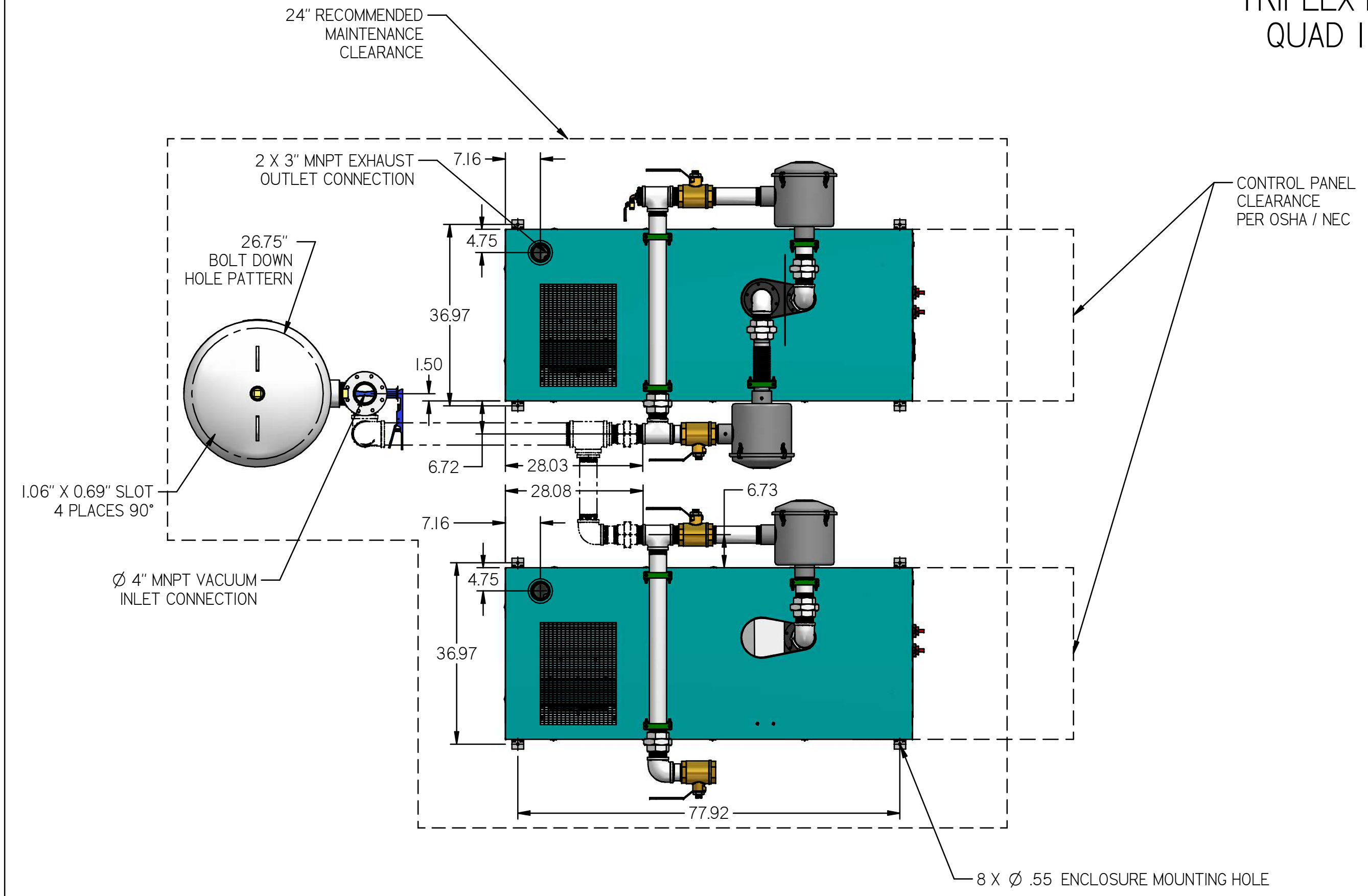


REVISION NOTES		
DESCRIPTION	ECN	PR/NOR
PRODUCTION RELEASE	PXEC0099	N/A

MCET1005EX4

MED CLAW ECLOSED
TRIPLEX EXPANDABLE TO
QUAD 10 HP 200 GAL



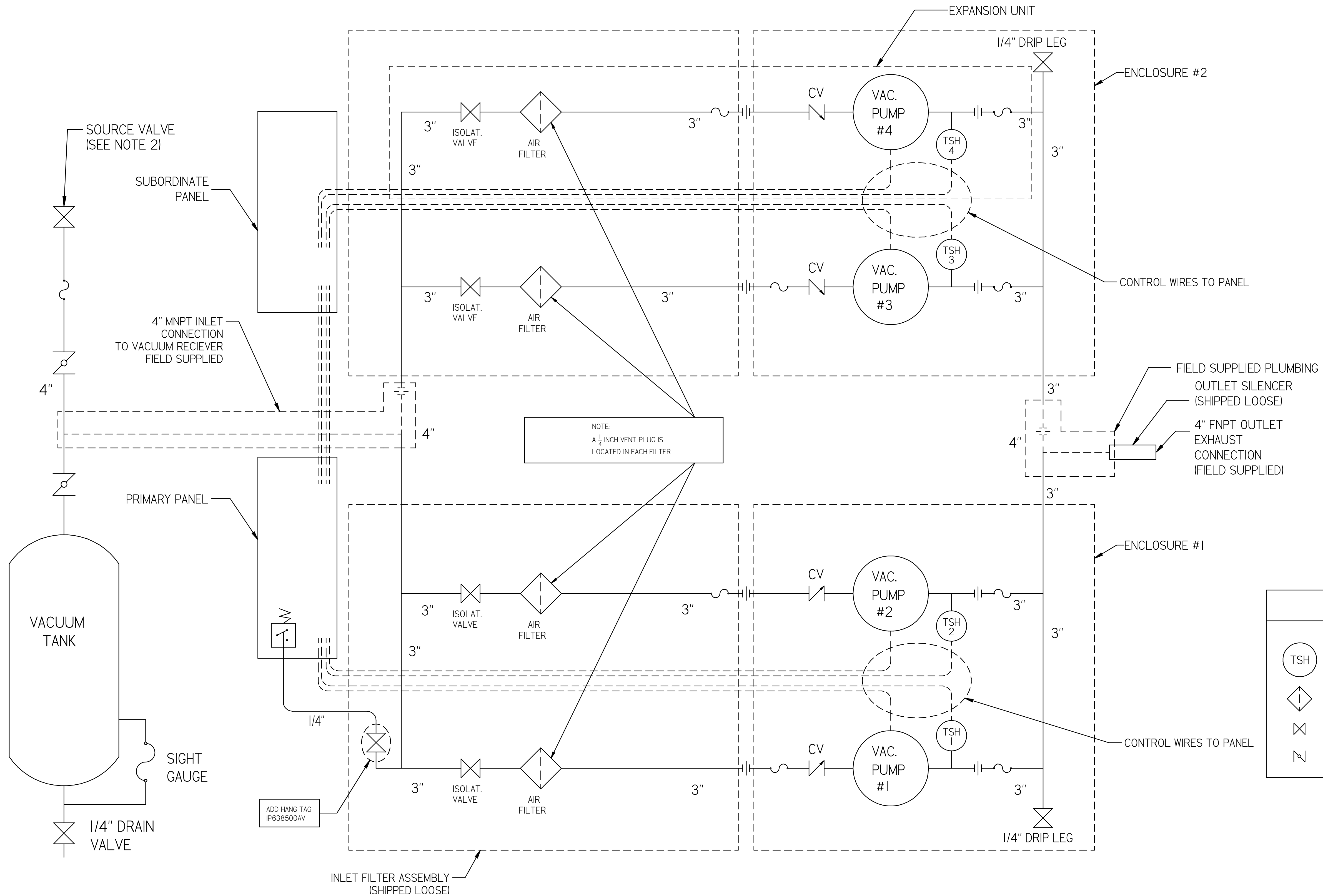
- NOTES:
 1) APPROX SYSTEM WEIGHT: 6343 LB
 2) FINAL SYSTEM DIMENSIONS DEPENDENT UPON INSTALLATION CONFIGURATION. MAINTENANCE CLEARANCE MUST BE MAINTAINED IN INSTALLATION CONFIGURATION.
 3) SHEET 1: UNIT BUILD
 4) SHEET 2: FLOW SCHEMATIC

SYMBOL LEGEND		DRAWINGS TO CONFORM TO CURRENT REVISION OF THE FOLLOWING ANSI STANDARDS: Y14.3 MULTI AND SECTIONAL VIEW DWGS Y14.5 DIMENSIONING AND TOLERANCING	
TOLERANCES NOT SPECIFIED	SOLID EDGE DRAWING	DO NOT SCALE DRAWING FOR DIMENSIONS	
0.XXX ± 0.010	INCH	SHEET 1 OF 2	SCALE 1:20
0.XXX ± 0.050			
± 0.5			
CONFIDENTIAL DISCLOSURE This drawing is the property of POWEREX or the SCOTT FETTER COMPANY and is subject to return on demand. Its contents are confidential and must not be copied or submitted to outside parties for use or examination.		AUTHOR	APPROVALS ON FILE IN PLM
DRAWING NUMBER: 718756		ORIGINATION DATE: 2/6/2019	
MATERIAL: N/A			
DESCRIPTION: MED CLAW ECLOSED TRIPLEX EXPANDABLE TO QUAD 10 HP 200 GAL		DRAWING NUMBER: MCET1005EX4	REVISION: B D

MCET1005EX4

MED CLAW ECLOSED
TRIPLEX EXPANDABLE TO
QUAD 10 HP 200 GAL

REVISION NOTES		
DESCRIPTION	ECN	PR/NOR
PRODUCTION RELEASE	PXEC0099	N/A



NOTE
A 1/4 INCH VENT PLUG IS
LOCATED IN EACH FILTER

- NOTES:
1) TSH - TEMPERATURE SWITCH HIGH
2) PER NFPA THE SYSTEM WILL REQUIRE A SOURCE VALVE (SUPPLIED BY OTHERS).

LEGEND	
(TSH)	TEMP. SWITCH
(AIR FILTER)	AIR FILTER
(BALL VALVE)	BALL VALVE
(BUTTERFLY BALL VALVE)	BUTTERFLY BALL VALVE
(VACUUM TRANSDUCER)	VACUUM TRANSDUCER
(CHECK VALVE)	CHECK VALVE
(FLEX LINE)	FLEX LINE
(UNION)	UNION

SYMBOL LEGEND		DRAWINGS TO CONFORM TO CURRENT REVISION OF THE FOLLOWING ANSI STANDARDS:	
TOLERANCES NOT SPECIFIED:	SOLID EDGE DRAWING	1143 MULTI AND SECTIONAL VIEW DIMS	1145 DIMENSIONING AND TOLERANCING
0.001 ± 0.001	INCH	DO NOT SCALE DRAWING FOR DIMENSIONS	
0.0005 ± 0.0005	INCH	SHEET 2 OF 2	SCALE 1:1
CONFIDENTIAL DISCLOSURE This drawing is the property of POWEREX or the SCOTT FETTER COMPANY and is subject to return on demand. Its contents are confidential and must not be copied or submitted to outside parties for use or examination.		AUTHOR	ORIGINATION DATE
ITEM NO: 718756		gseaver	2/6/2019
MATERIAL: N/A		APPROVALS ON FILE IN PLM	
DESCRIPTION: MED CLAW ECLOSED TRIPLEX EXPANDABLE TO QUAD 10 HP 200 GAL		DRAWING NUMBER: MCET1005EX4	
		REVISION	SIZE
		B	D

