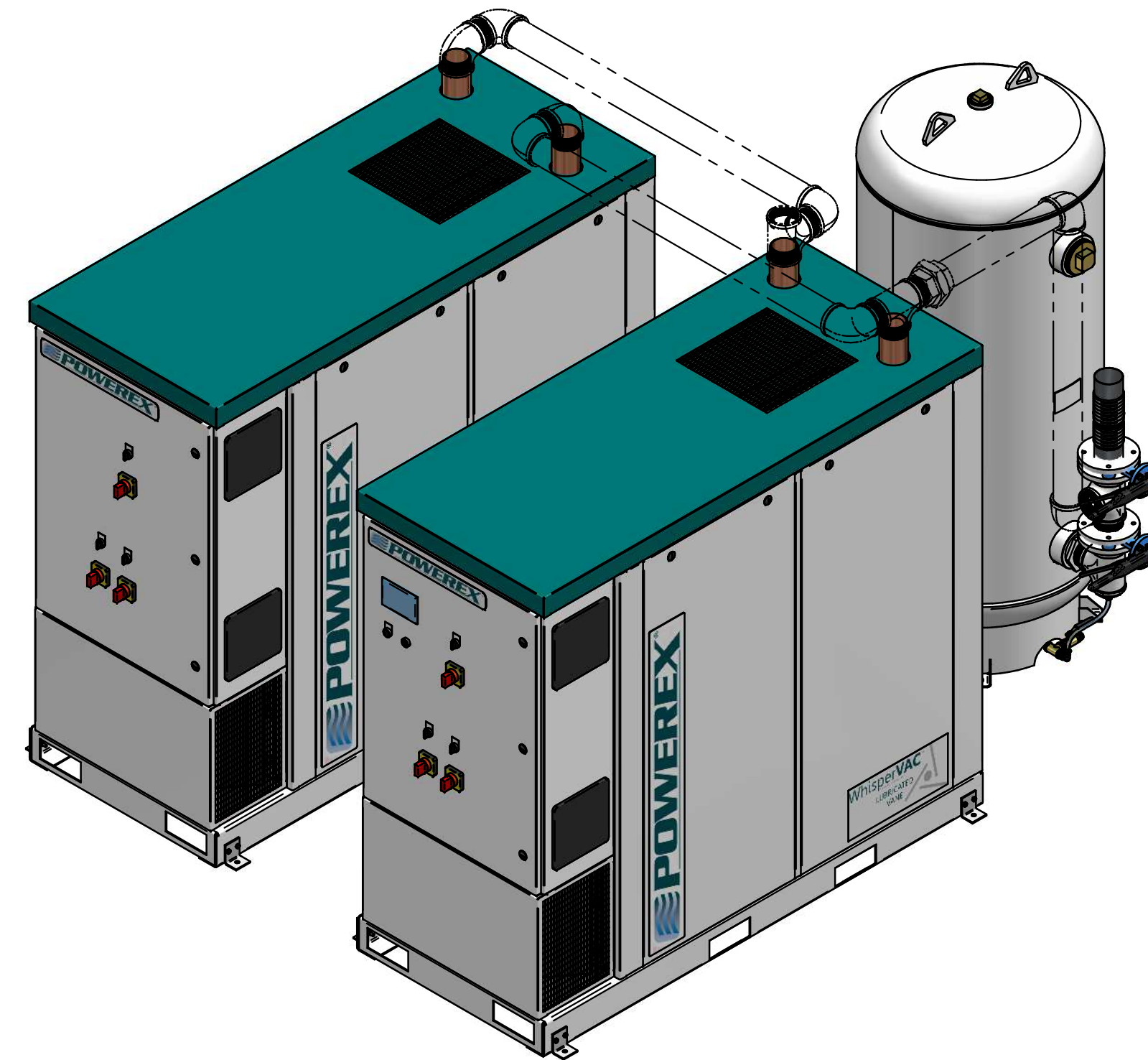


REVISION NOTES

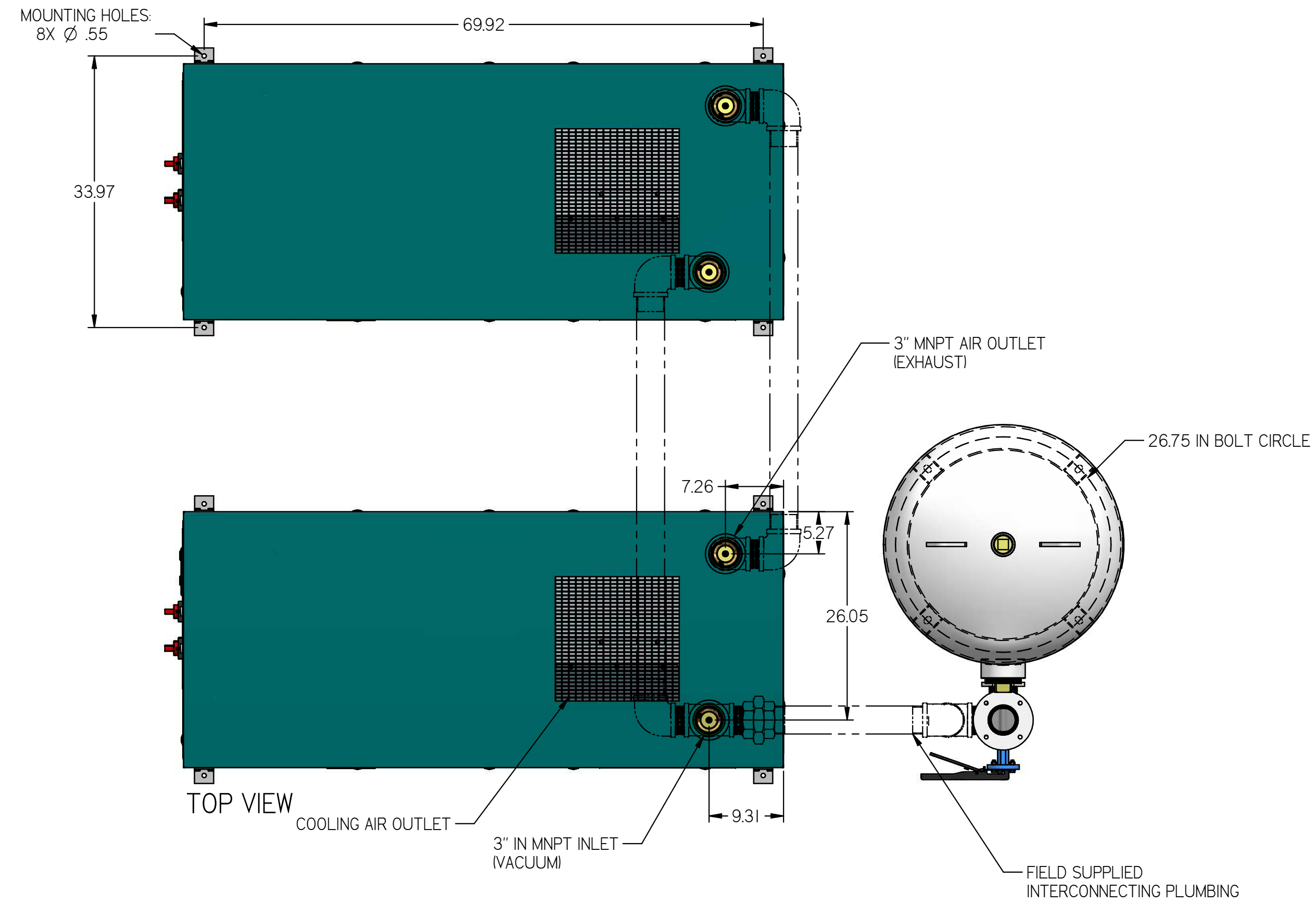
DESCRIPTION	ECN	PR/NOR
PRODUCTION RELEASE	PXEC0099	N/A

MVEQ0755

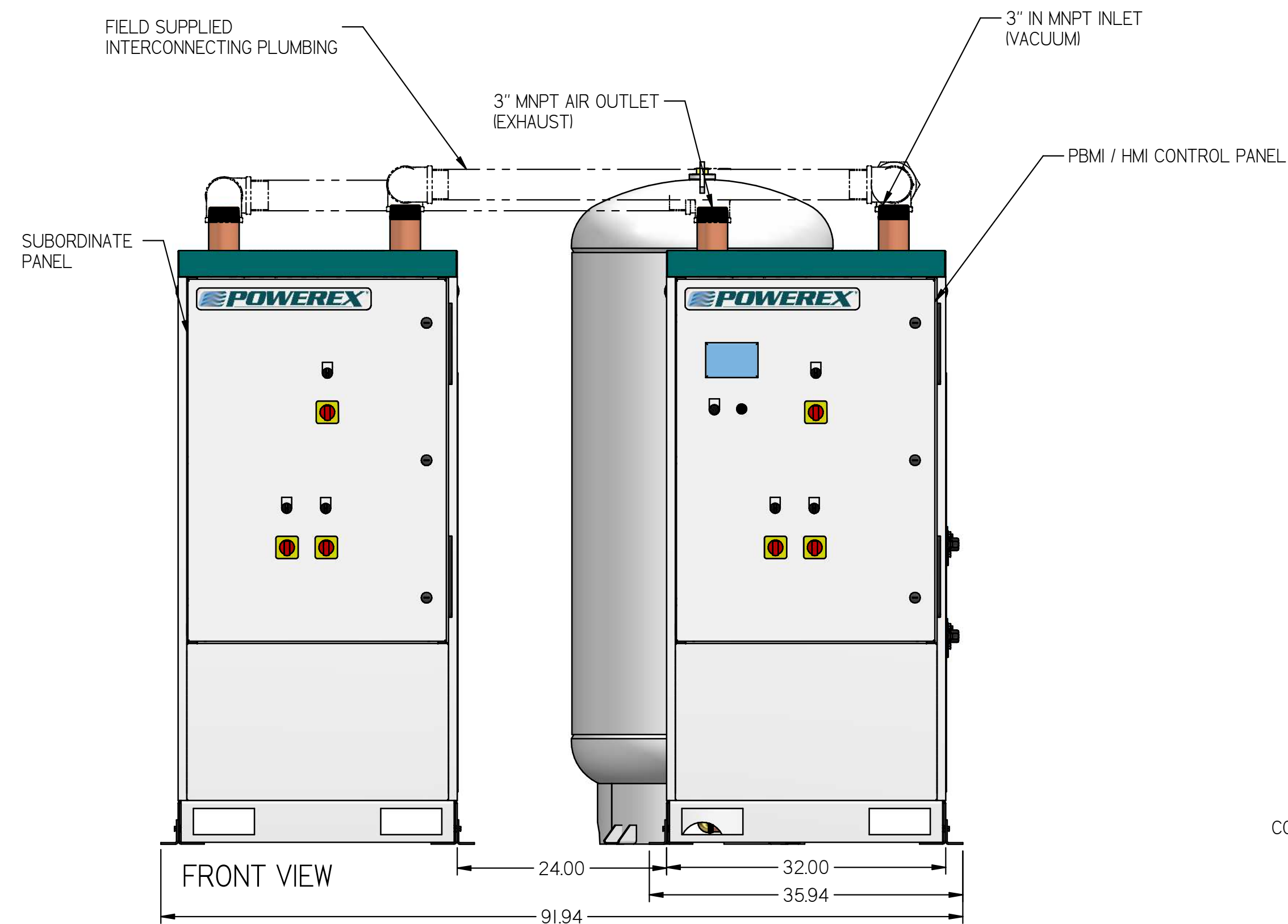
MEDICAL 7.5 HP QUADPLEX
VANE VACUUM ENCLOSURE
200G TANK



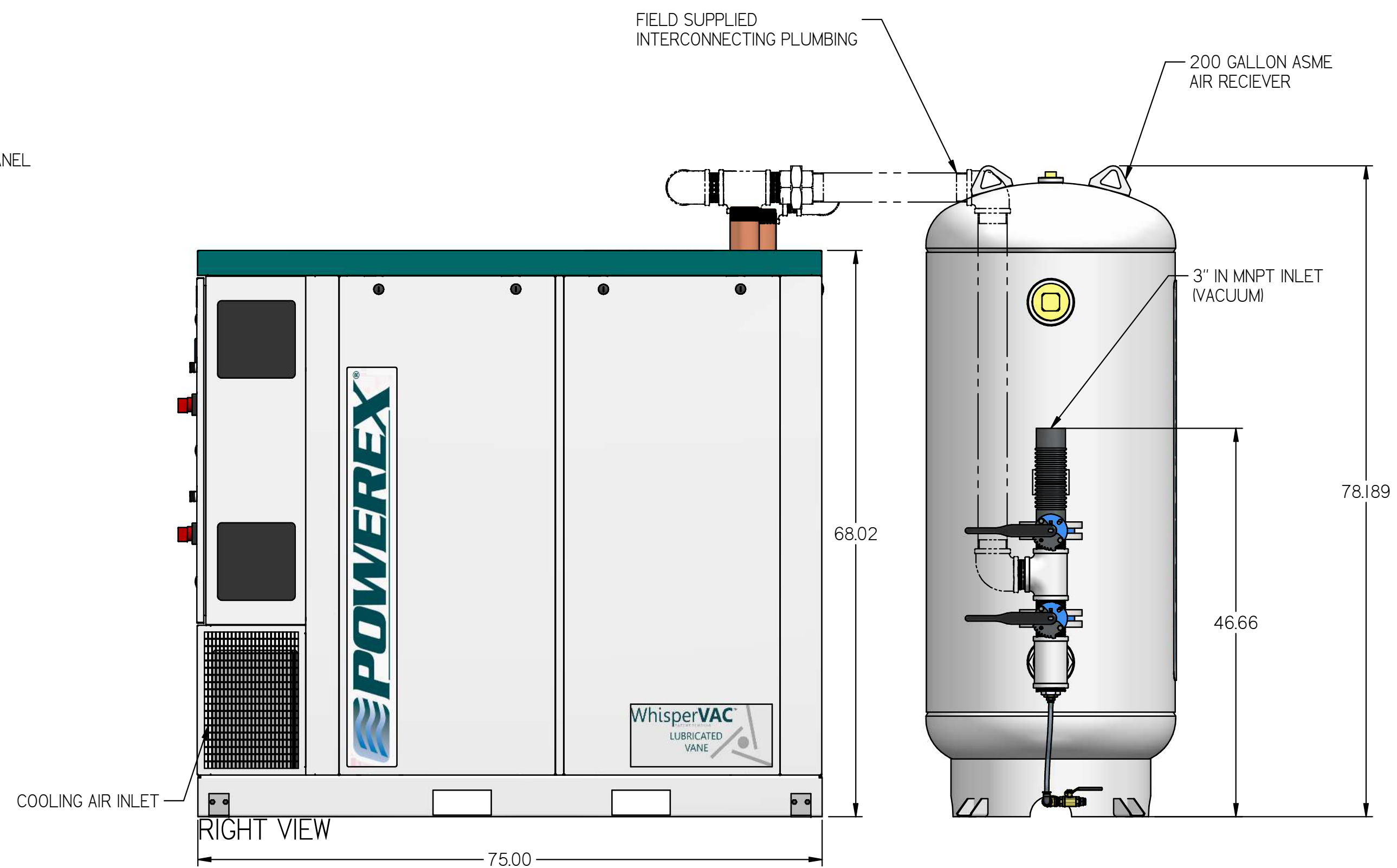
ISO VIEW



TOP VIEW



FRONT VIEW



RIGHT VIEW

- NOTES:
 1. APPROX SYSTEM WEIGHT: 4500 LB
 2. 24" MINIMUM MAINTENANCE CLEARANCE RECOMMENDED ALL SIDES. CLEARANCE FOR CONTROL PANEL SHALL BE IN ACCORDANCE WITH OSHA/NEC REQUIREMENTS

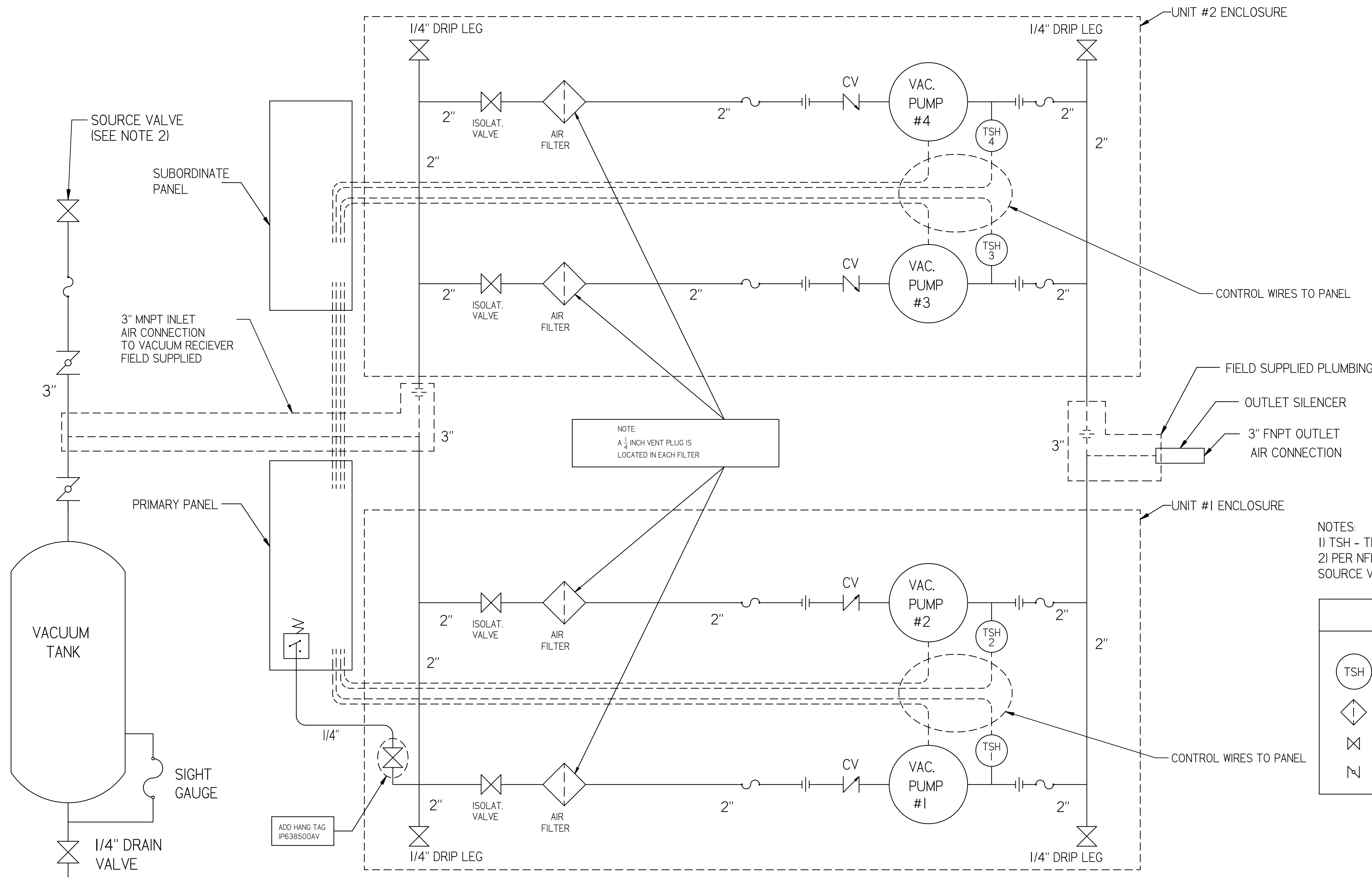
SYMBOL LEGEND		DRAWINGS TO CONFORM TO CURRENT REVISION OF THE FOLLOWING ANSI STANDARDS:	
TOLERANCES NOT SPECIFIED	SOLID EDGE DRAWING	DO NOT SCALE DRAWING FOR DIMENSIONS	
0.XXX ± .05	INCH	SHEET 1 OF 2	SCALE 1:1/2.5
0.XXX ± .005		APPROVALS ON FILE IN PLM	
<small>CONFIDENTIAL DISCLOSURE</small> This drawing is the property of POWEREX of the SCOTT FETTER COMPANY and is subject to return on demand. Its contents are confidential and must not be copied or submitted to outside parties for use or examination.		AUTHOR	ORIGINATION DATE
TITLE: 717694 MATERIAL: SEE COMPONENT DRAWINGS DESCRIPTION: MEDICAL 7.5 HP QUADPLEX VANE VACUUM ENCLOSURE 200G TANK		ASoulek	2/6/2019
DRAWING NUMBER: MVEQ0755		REVISION	SIZE
		B	D



MVEQ0755

MEDICAL 7.5 HP QUADPLEX
VANE VACUUM ENCLOSURE
200G TANK

REVISION NOTES		
DESCRIPTION	ECN	PR/NOR
PRODUCTION RELEASE	PXEC0099	N/A



NOTE:
A 1/2 INCH VENT PLUG IS
LOCATED IN EACH FILTER

- NOTES:
1) TSH - TEMPERATURE SWITCH HIGH
2) PER NFPA THE SYSTEM WILL REQUIRE A
SOURCE VALVE (SUPPLIED BY OTHERS).

LEGEND	
	TEMP. SWITCH
	AIR FILTER
	BALL VALVE
	BUTTERFLY BALL VALVE
	VACUUM TRANSDUCER
	CHECK VALVE
	FLEX LINE
	UNION

SYMBOL LEGEND		DRAWINGS TO CONFORM TO CURRENT REVISION OF THE FOLLOWING ANSI STANDARDS:	
TOLERANCES NOT SPECIFIED:		Y14.3 MULTI AND SECTIONAL VIEW DIMS	
0.0XX ± .05	SOLID EDGE DRAWING	DO NOT SCALE DRAWING FOR DIMENSIONS	
0.0XX ± .005		SHEET 2 OF 2	
∠ ± .1	INCH	SCALE	1:1
<small>CONFIDENTIAL DISCLOSURE</small> This drawing is the property of POWEREX or the SCOTT FETTER COMPANY and is subject to return on demand. Its contents are confidential and must not be copied or submitted to outside parties for use or examination.		AUTHOR	APPROVALS ON FILE IN PLM
TITLE: 717694 MATERIAL: SEE COMPONENT DRAWINGS		ASoulek	2/6/2019
DESCRIPTION: MEDICAL 7.5 HP QUADPLEX VANE VACUUM ENCLOSURE 200G TANK		 150 PRODUCTION DRIVE, HARRISON OH 45030 888-768-7079	
DRAWING NUMBER: MVEQ0755		REVISION: B	SIZE: D