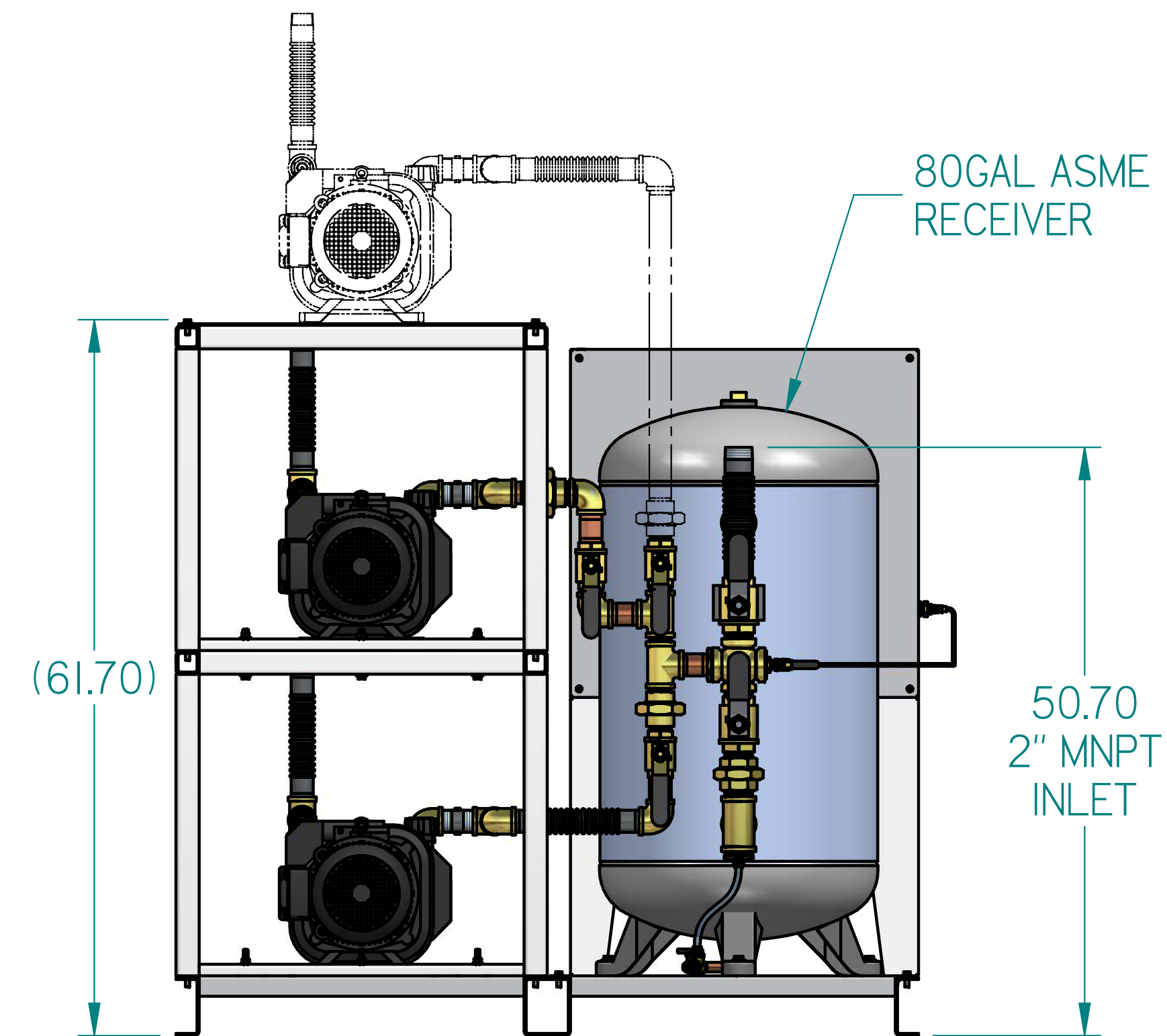
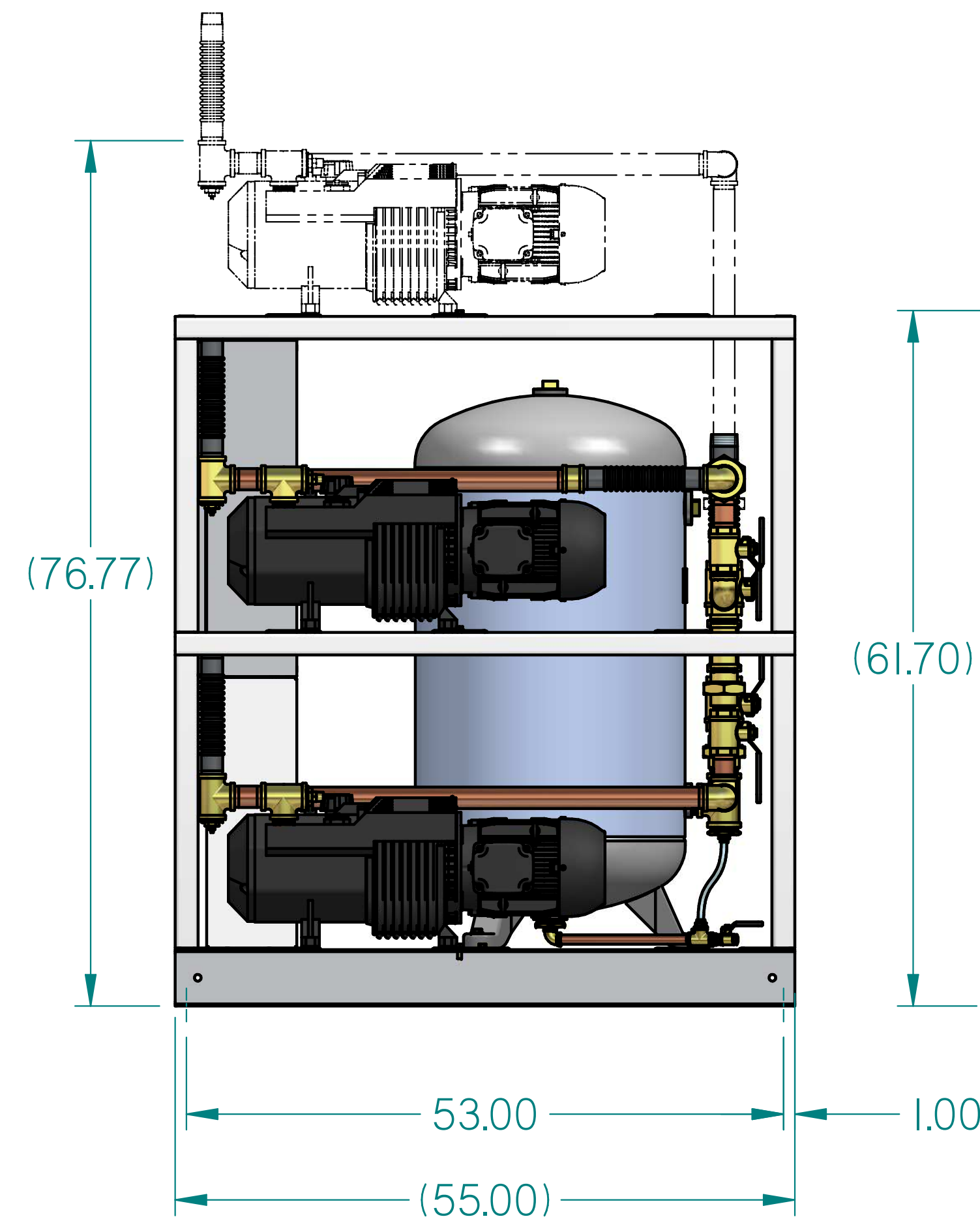
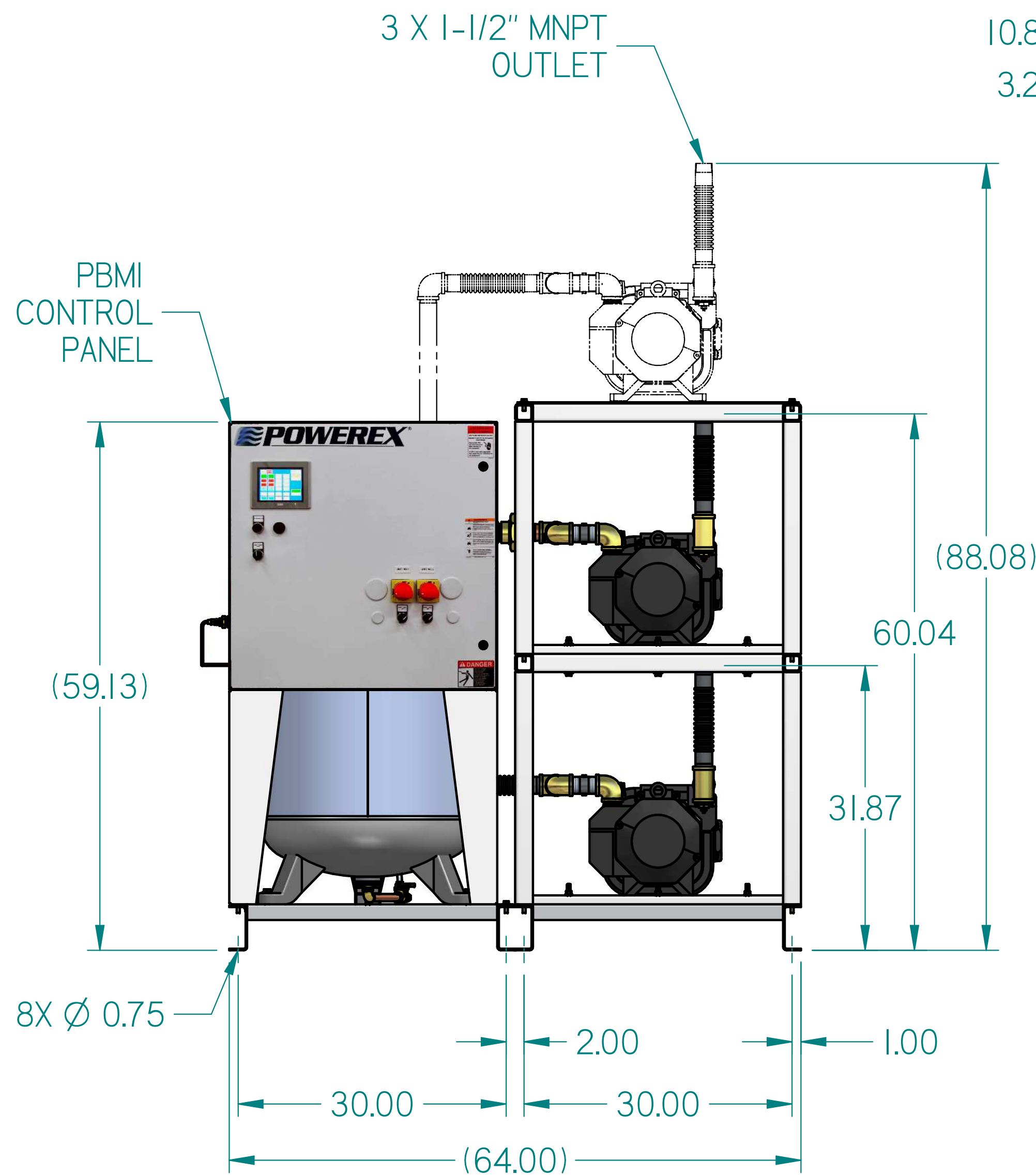
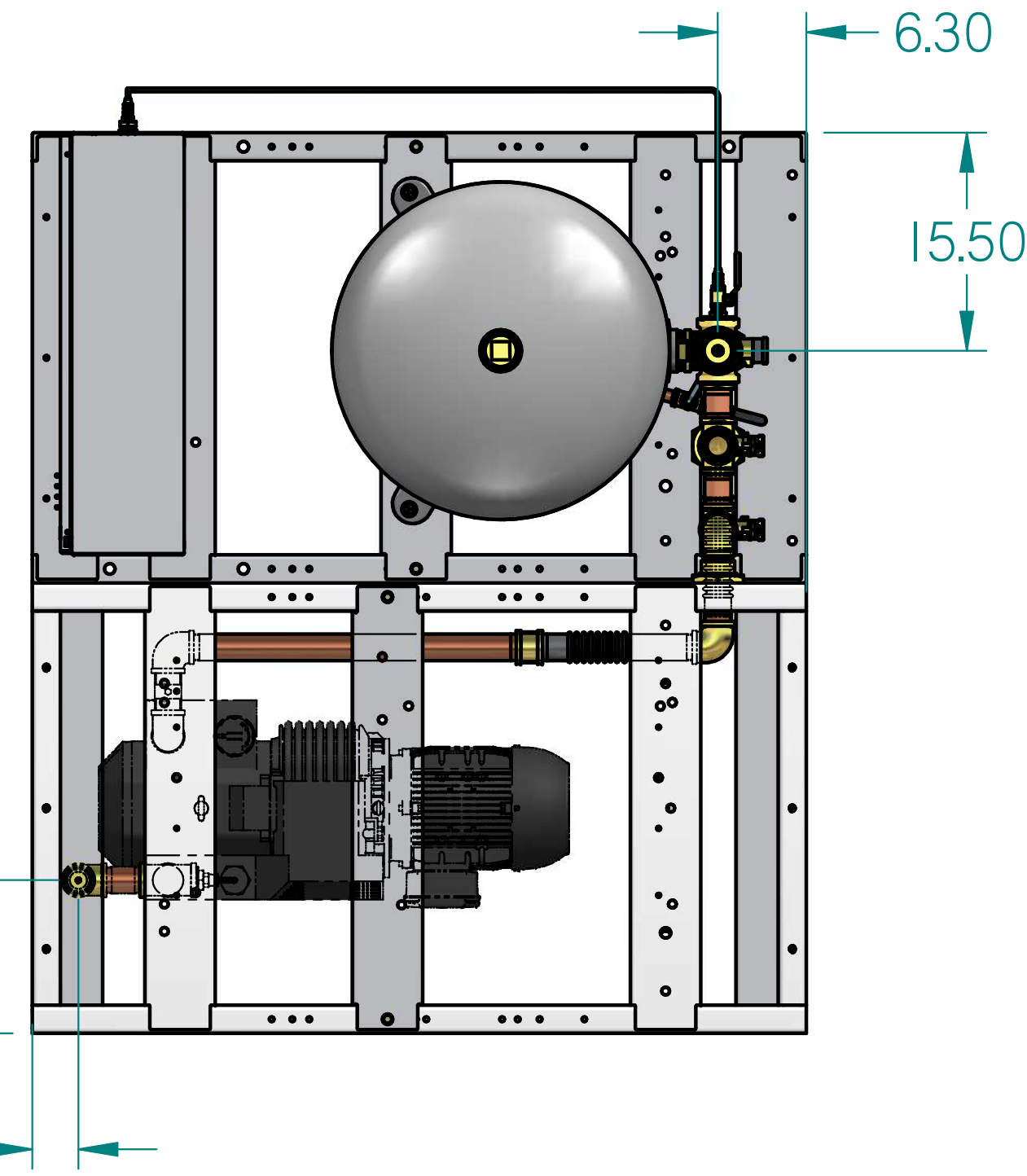


VOPD0503PI-EX3

5HP OILLESS VACUUM
 DUPLEX EX3 80GAL

REVISION NOTES		
DESCRIPTION	ECN	PR/NOR
3D RELEASE	PXEC0293	N/A



80GAL ASME RECEIVER

- NOTES:
 1. APPROXIMATE WEIGHT: 1336 lbm
 2. A MINIMUM OF 24" CLEARANCE IS RECOMMENDED AROUND THE ENTIRE UNIT. CLEARANCE FOR CONTROL PANEL SHALL BE IN ACCORDANCE WITH OSHA/NEC REQUIREMENTS.
 3. SYSTEM DESIGNED IN COMPLIANCE WITH U.S. NFPA '99, LATEST EDITION.

SYMBOL LEGEND		DRAWINGS TO CONFORM TO CURRENT REVISION OF THE FOLLOWING ANSI STANDARDS: #14.3 MULTI AND SECTIONAL VIEW DIMS #14.5 DIMENSIONING AND TOLERANCING	
TOLERANCES NOT SPECIFIED	SOLID EDGE DRAWING	DO NOT SCALE DRAWING FOR DIMENSIONS	
0.00X ± .005	INCH	SHEET 1 OF 2	SCALE 1:8
CONFIDENTIAL DISCLOSURE This drawing is the property of POWEREX of the SCOTT FETTER COMPANY and is subject to return on demand. Its contents are confidential and must not be copied or submitted to outside parties for use or examination.		AUTHOR	APPROVALS ON FILE IN PLM
ITEM ID		TATA	01-04-2019
MATERIAL			
DESCRIPTION		DRAWING NUMBER	REVISION
5HP OILLESS VACUUM DUPLEX EX3 80GAL		VOPD0503PI-EX3	D

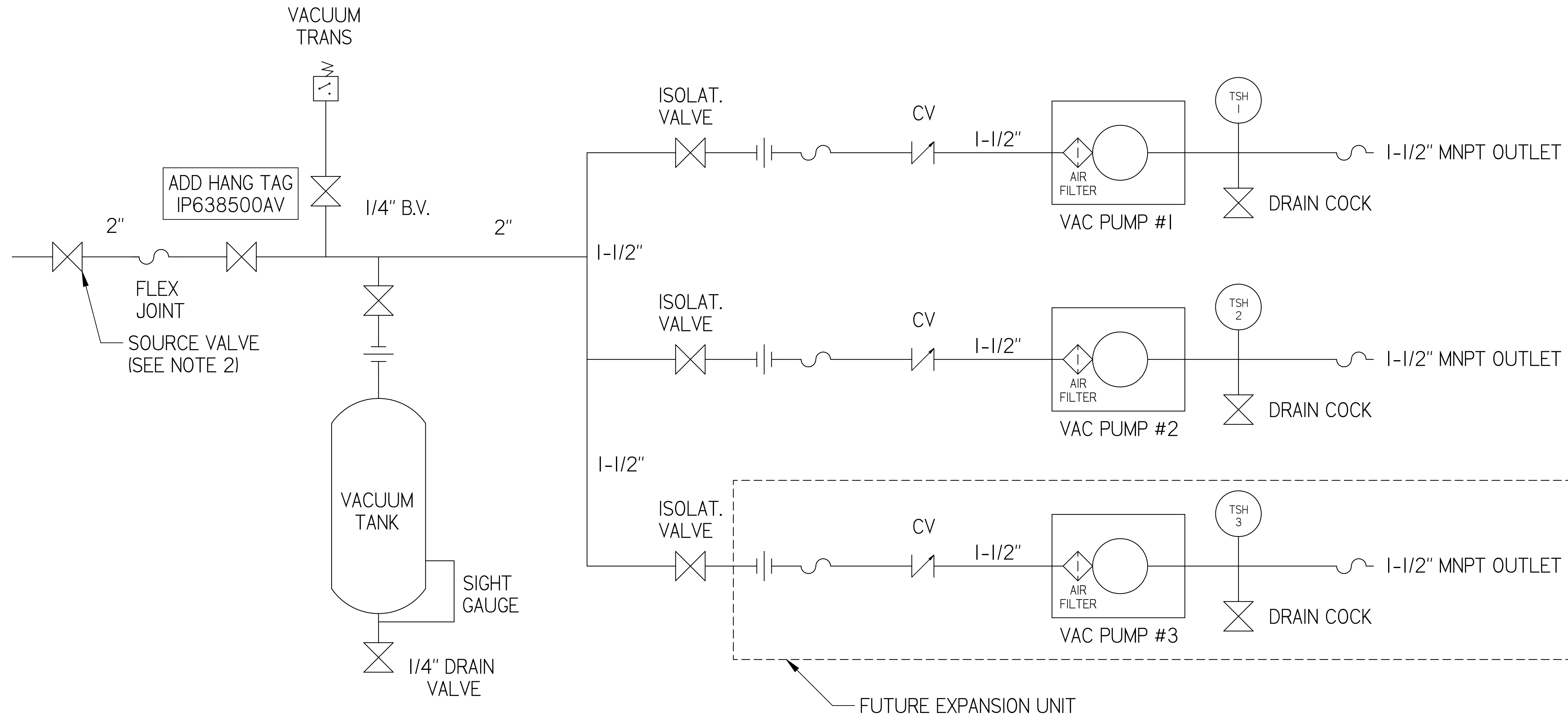


VOPD0503PI-EX3

5HP OILLESS VACUUM
 DUPLEX EX3 80GAL

REVISION NOTES

DESCRIPTION	ECN	PR/NOR
3D RELEASE	PXEC0293	N/A



LEGEND

TSH 2	TEMP. SWITCH		VACUUM SWITCH
	AIR FILTER		CHECK VALVE
	BALL VALVE		FLEX LINE
			UNION

NOTE:
 A 1/4 INCH VENT PLUG IS
 LOCATED IN THE FILTER HOUSING

- NOTES:
 1) TSH - TEMPERATURE SWITCH HIGH
 2) PER NFPA THE SYSTEM WILL REQUIRE A SOURCE VALVE (SUPPLIED BY OTHERS)

SYMBOL LEGEND		DRAWINGS TO CONFORM TO CURRENT REVISION OF THE FOLLOWING ANSI STANDARDS:	
TOLERANCES NOT SPECIFIED		#14.3 MULTI AND SECTIONAL VIEW DIMS	
0.00X ± .005		#14.5 DIMENSIONING AND TOLERANCING	
SOLID EDGE DRAWING		DO NOT SCALE DRAWING FOR DIMENSIONS	
SHEET 2 OF 2		SCALE	1:1
CONFIDENTIAL DISCLOSURE: This drawing is the property of POMEREX or the SCOTT FETTER COMPANY and is subject to return on demand. Its contents are confidential and must not be copied or submitted to outside parties for use or examination.		AUTHOR	APPROVALS ON FILE IN PLM
ITEM ID		TATA	01-04-2019
MATERIAL			
DESCRIPTION		DRAWING NUMBER	REVISION
5HP OILLESS VACUUM DUPLEX EX3 80GAL		VOPD0503PI-EX3	
		SIZE	D