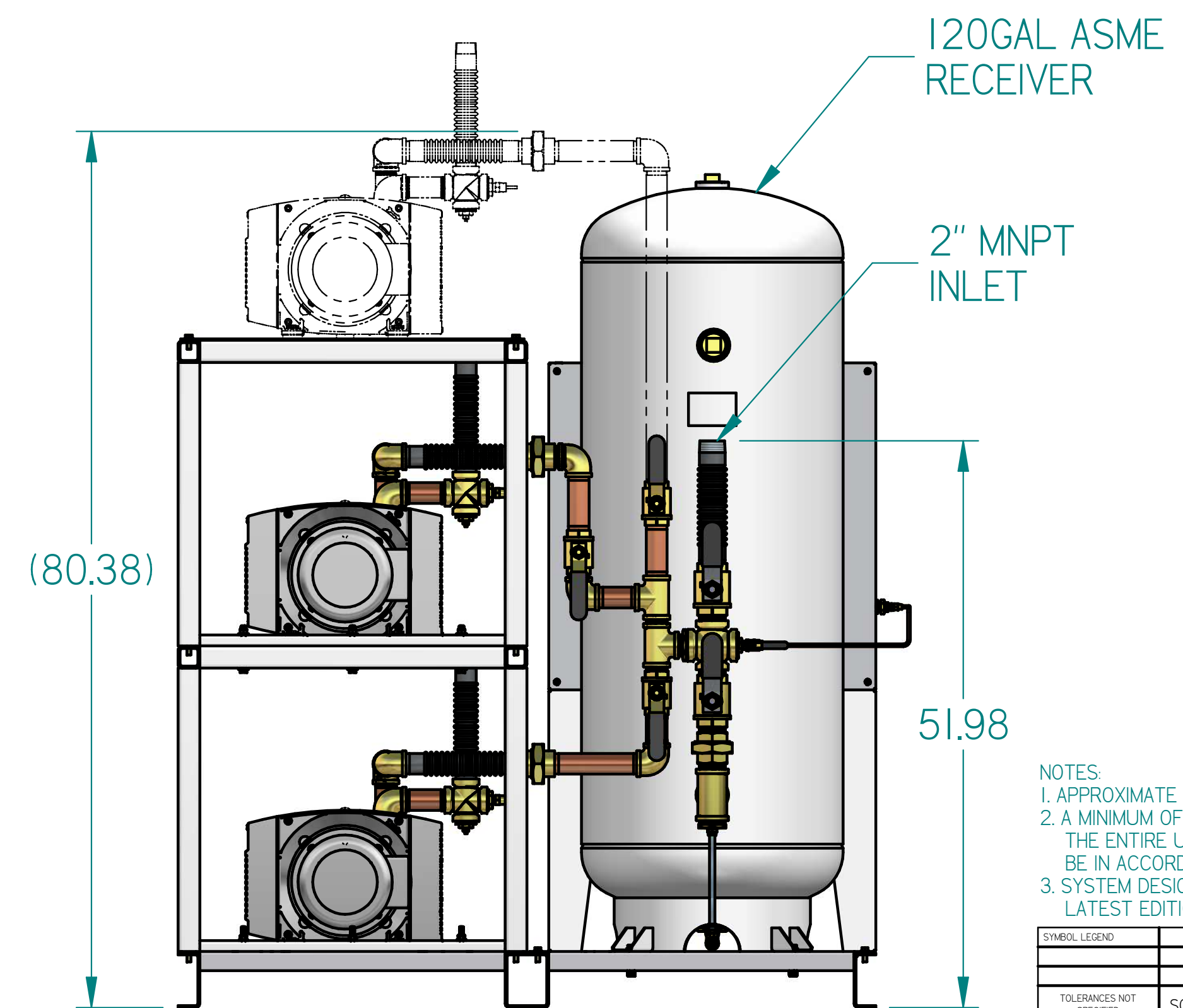
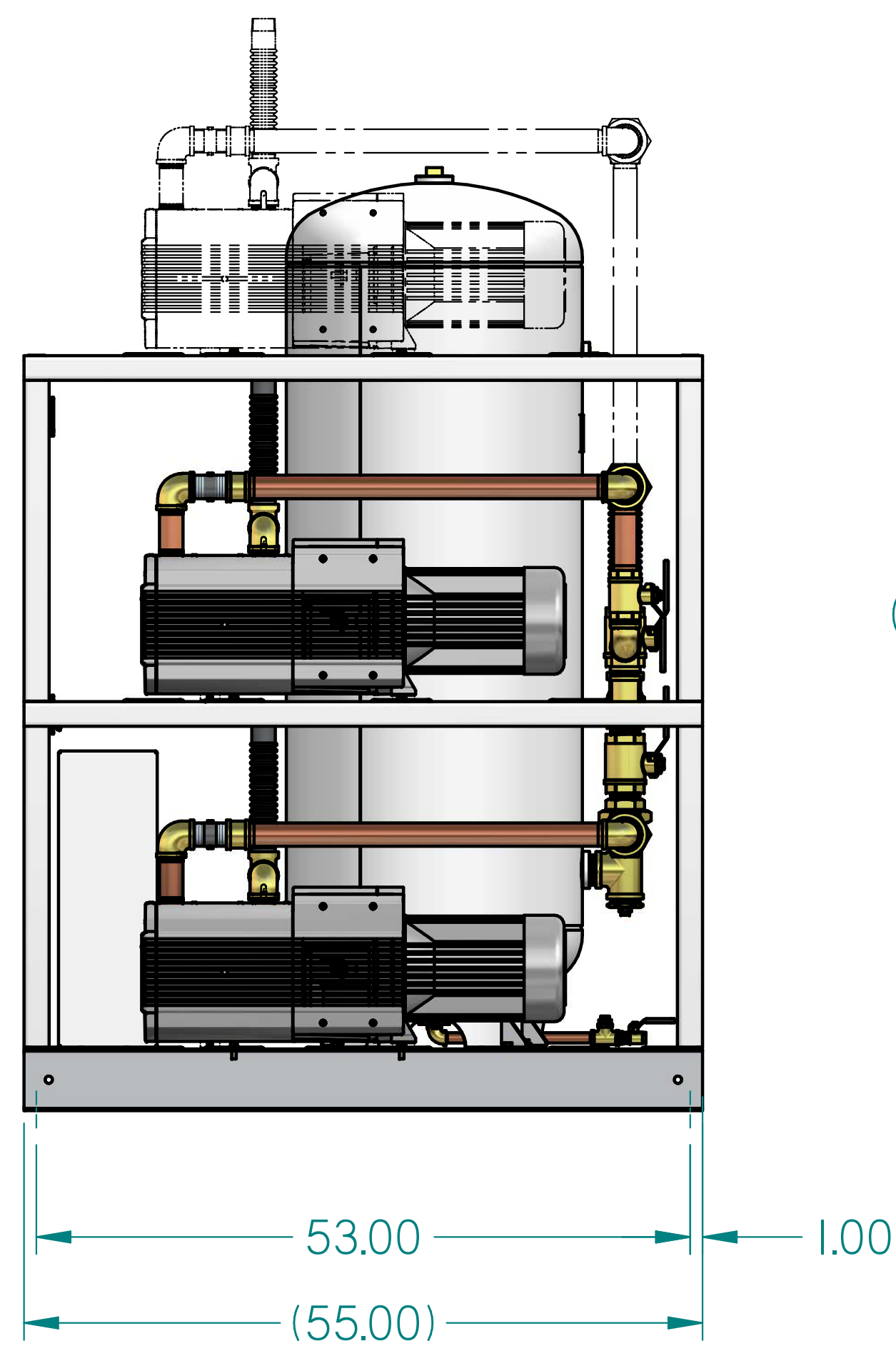
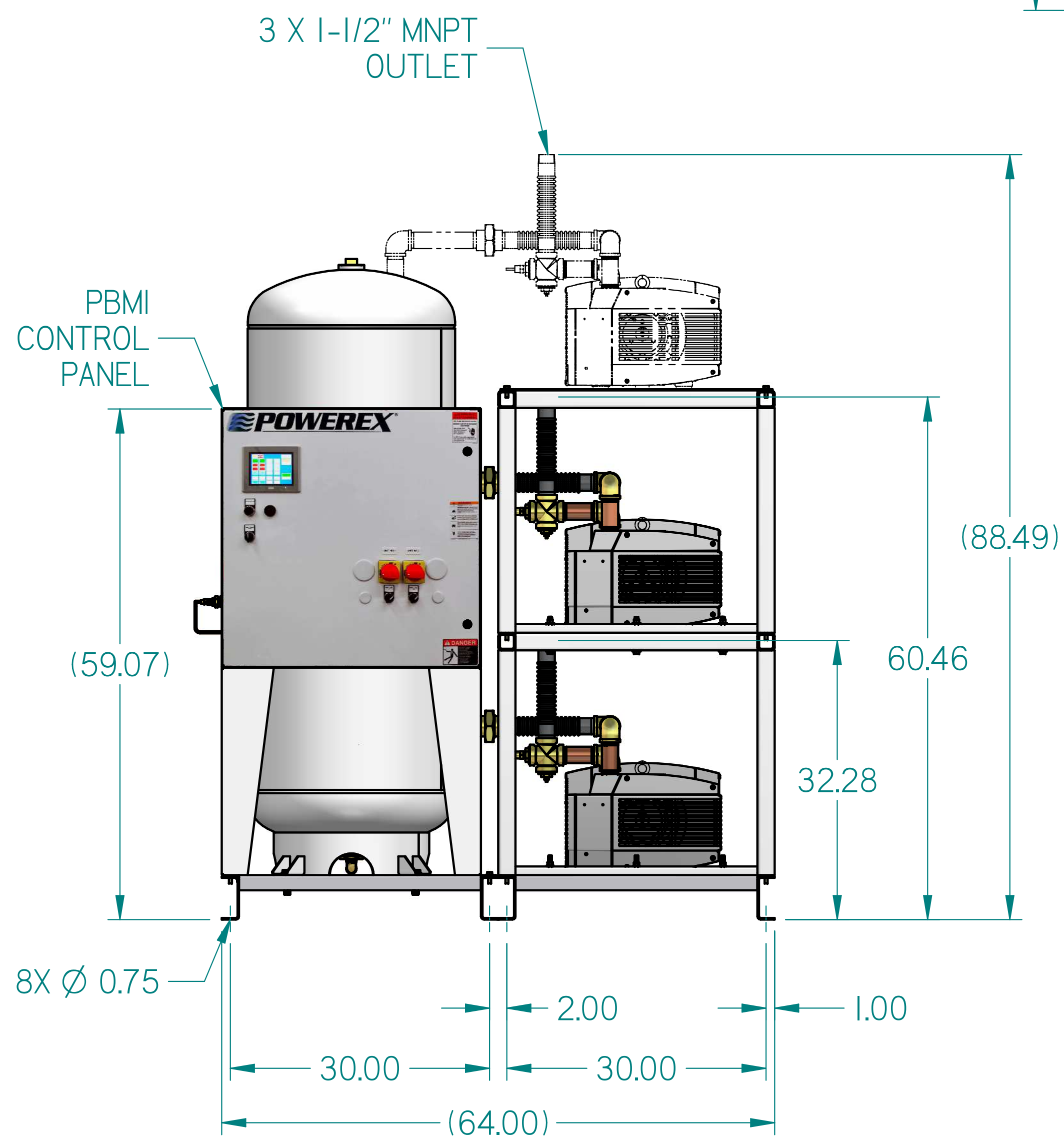
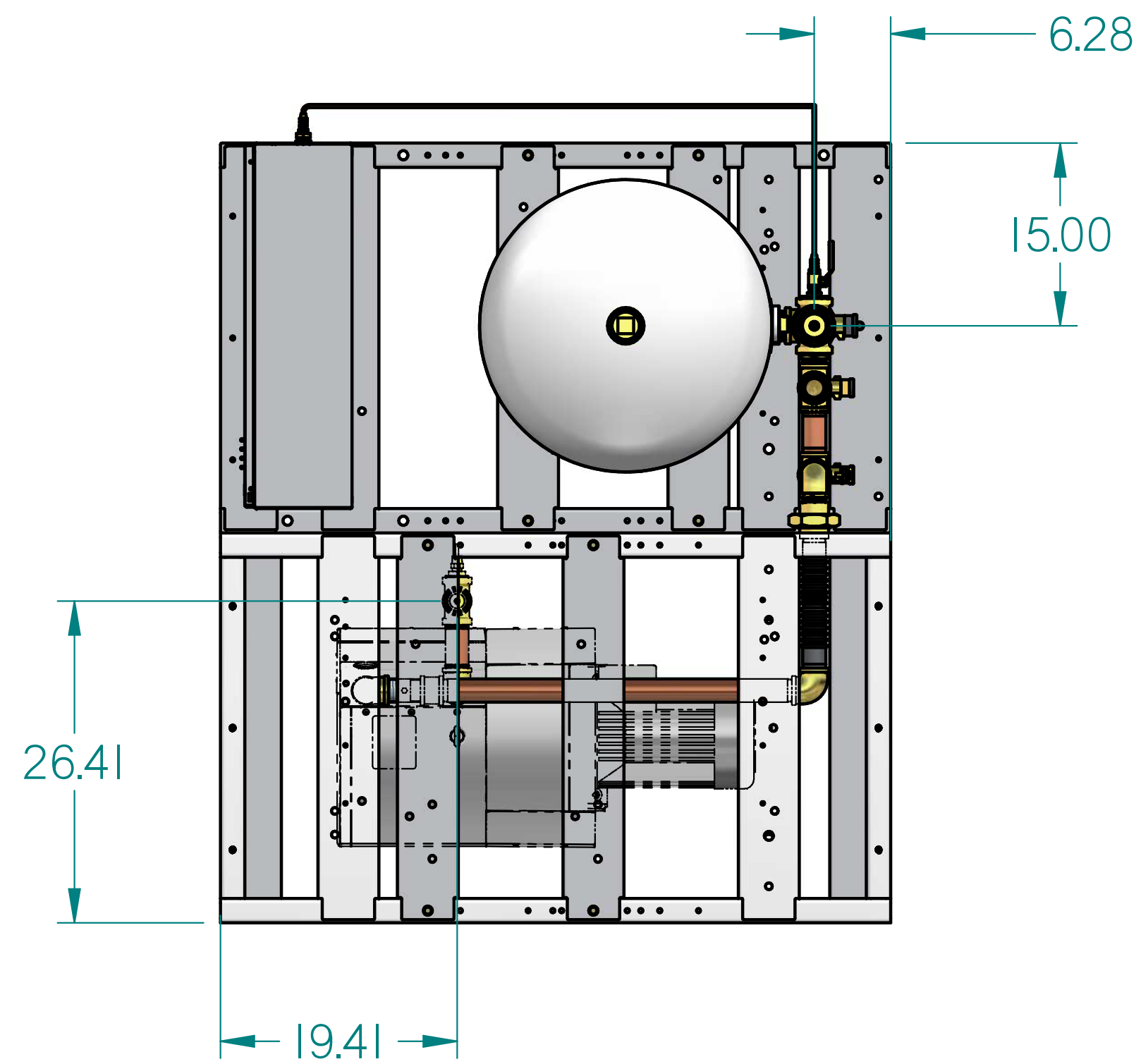


VOPD0754PI-EX3

7.5HP OILLESS VACUUM
DUPLEX EX3 120GAL

REVISION NOTES		
DESCRIPTION	ECN	PR/NOR
3D RELEASE	PXEC0293	N/A



- NOTES:
1. APPROXIMATE WEIGHT: 1644 lbm
2. A MINIMUM OF 24" CLEARANCE IS RECOMMENDED AROUND THE ENTIRE UNIT. CLEARANCE FOR CONTROL PANEL SHALL BE IN ACCORDANCE WITH OSHA/NEC REQUIREMENTS.
3. SYSTEM DESIGNED IN COMPLIANCE WITH U.S. NFPA '99, LATEST EDITION.

SYMBOL LEGEND		DRAWINGS TO CONFORM TO CURRENT REVISION OF THE FOLLOWING ANSI STANDARDS: #14.3 MULTI AND SECTIONAL VIEW DIMS #14.5 DIMENSIONING AND TOLERANCING	
TOLERANCES NOT SPECIFIED	SOLID EDGE DRAWING	DO NOT SCALE DRAWING FOR DIMENSIONS	
0.XXX ± .005		SHEET 1 OF 2	SCALE 1:8
0.XXX ± .010	INCH	APPROVALS ON FILE IN PLM	
CONFIDENTIAL DISCLOSURE This drawing is the property of POWEREX of the SCOTT FETTER COMPANY and is subject to return on demand. Its contents are confidential and must not be copied or submitted to outside parties for use or examination.		AUTHOR	ORIGINATION DATE
ITEM ID		TATA	02-04-2019
MATERIAL		APPROVALS ON FILE IN PLM	
---		POWEREX	
DESCRIPTION		DRAWING NUMBER	REVISION
7.5HP OILLESS VACUUM DUPLEX EX3 120GAL		VOPD0754PI-EX3	
		SIZE	D

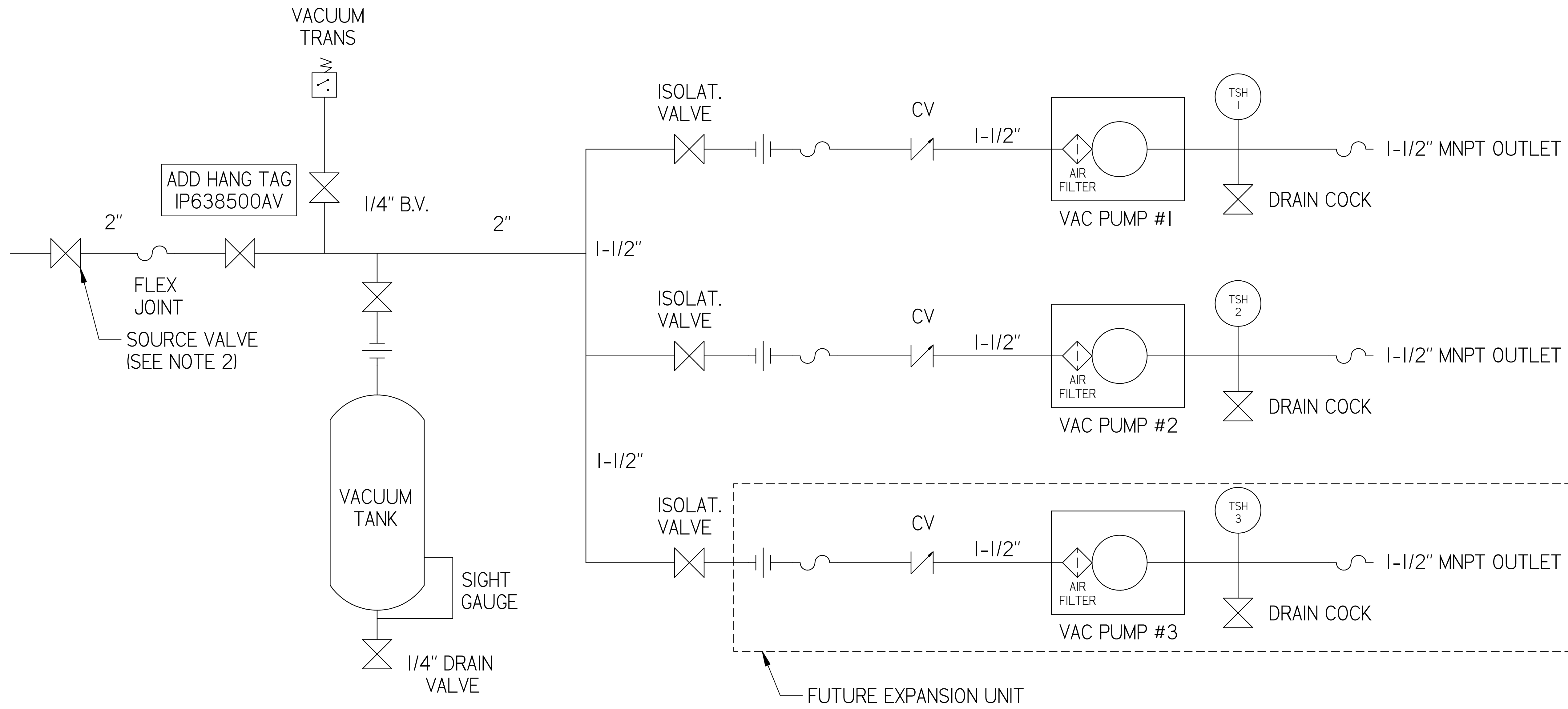


VOPD0754PI-EX3

7.5HP OILLESS VACUUM
 DUPLEX EX3 120GAL

REVISION NOTES

DESCRIPTION	ECN	PR/NOR
3D RELEASE	PXEC0293	N/A



LEGEND

	TEMP. SWITCH		VACUUM SWITCH
	AIR FILTER		CHECK VALVE
	BALL VALVE		FLEX LINE
			UNION

NOTE:
 A 1/4 INCH VENT PLUG IS
 LOCATED IN THE FILTER HOUSING

- NOTES:
 1) TSH - TEMPERATURE SWITCH HIGH
 2) PER NFPA THE SYSTEM WILL REQUIRE A SOURCE VALVE (SUPPLIED BY OTHERS)

SYMBOL LEGEND		DRAWINGS TO CONFORM TO CURRENT REVISION OF THE FOLLOWING ANSI STANDARDS:	
TOLERANCES NOT SPECIFIED:		SHEET 2 OF 2	
0.001 ± .001	INCH	SCALE	1:1
CONFIDENTIAL DISCLOSURE: This drawing is the property of POWEREX or the SCOTT FETTER COMPANY and is subject to return on demand. Its contents are confidential and must not be copied or submitted to outside parties for use or examination.		APPROVALS ON FILE IN PLM	
MATERIAL: ---		TATA 02-04-2019	
DESCRIPTION: 7.5HP OILLESS VACUUM DUPLEX EX3 120GAL		DRAWING NUMBER: VOPD0754PI-EX3	
		SIZE: D	

