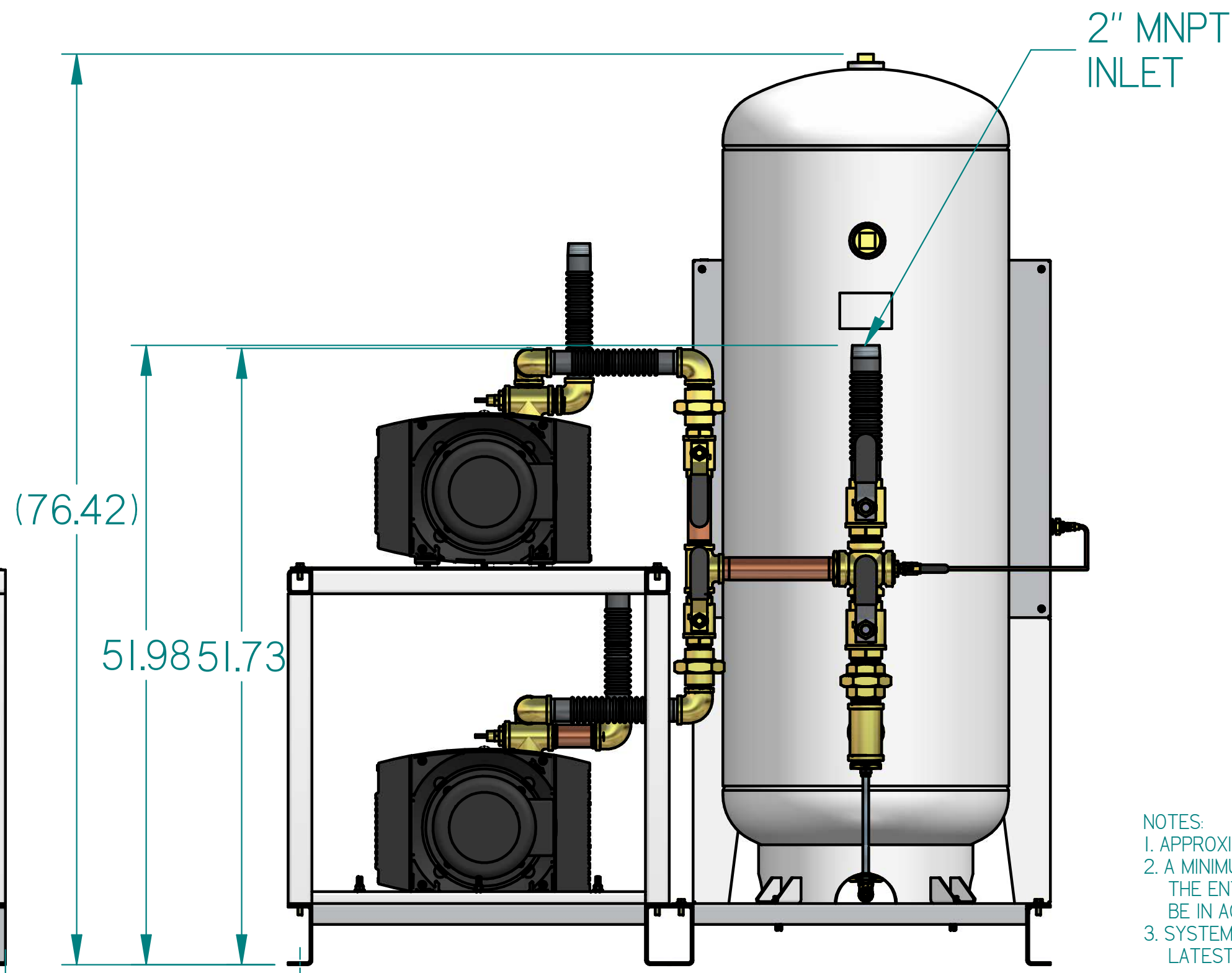
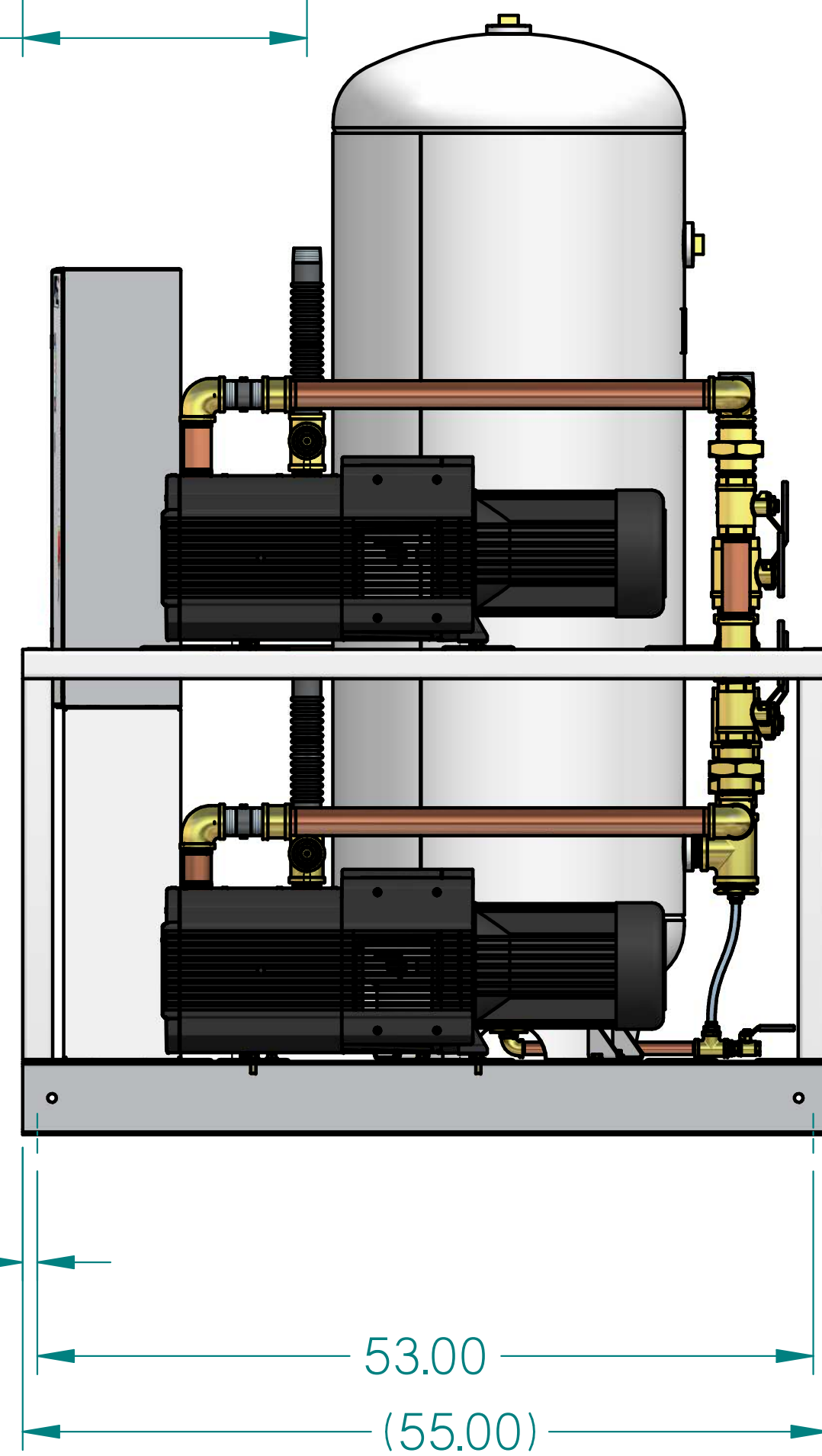
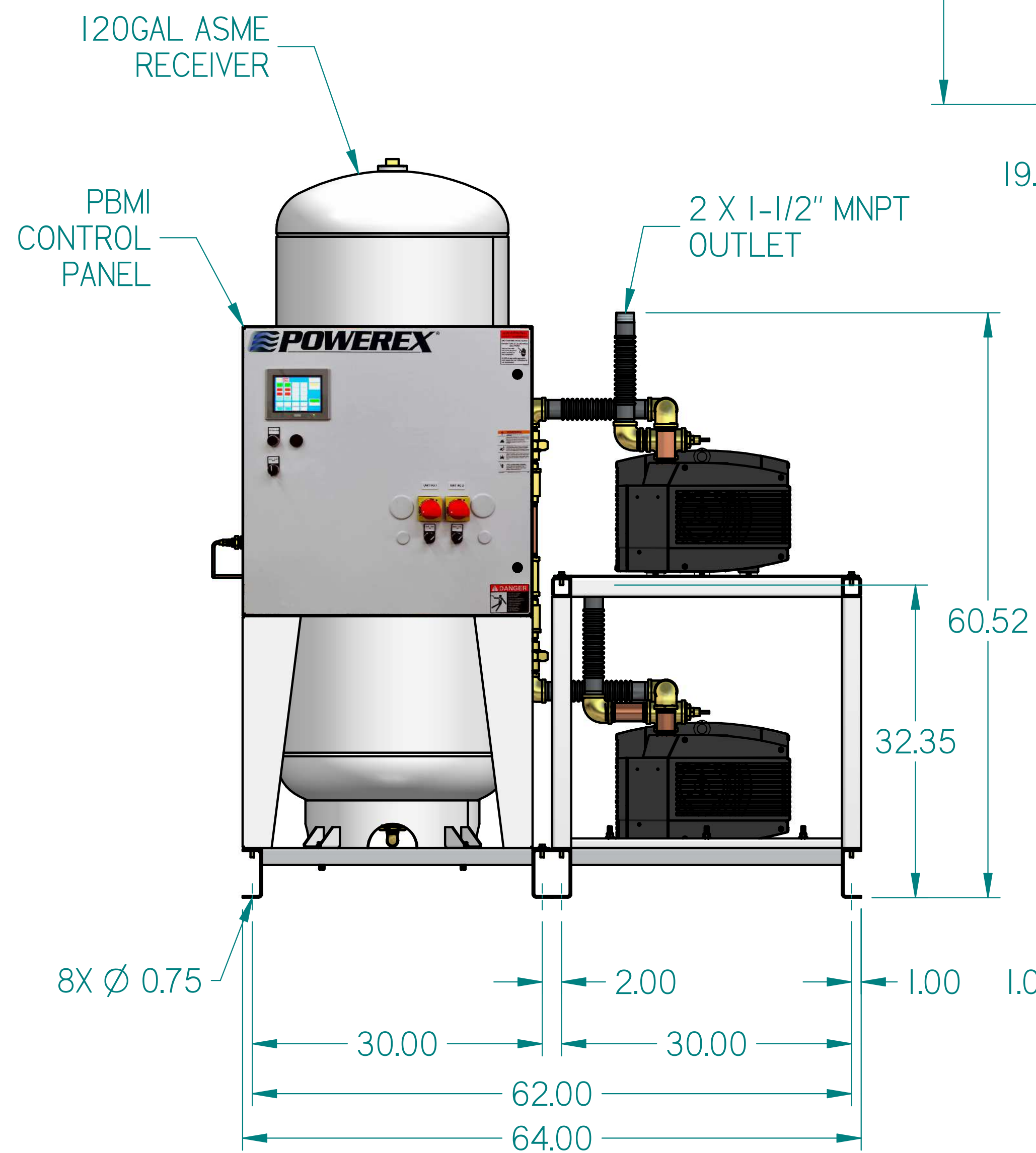
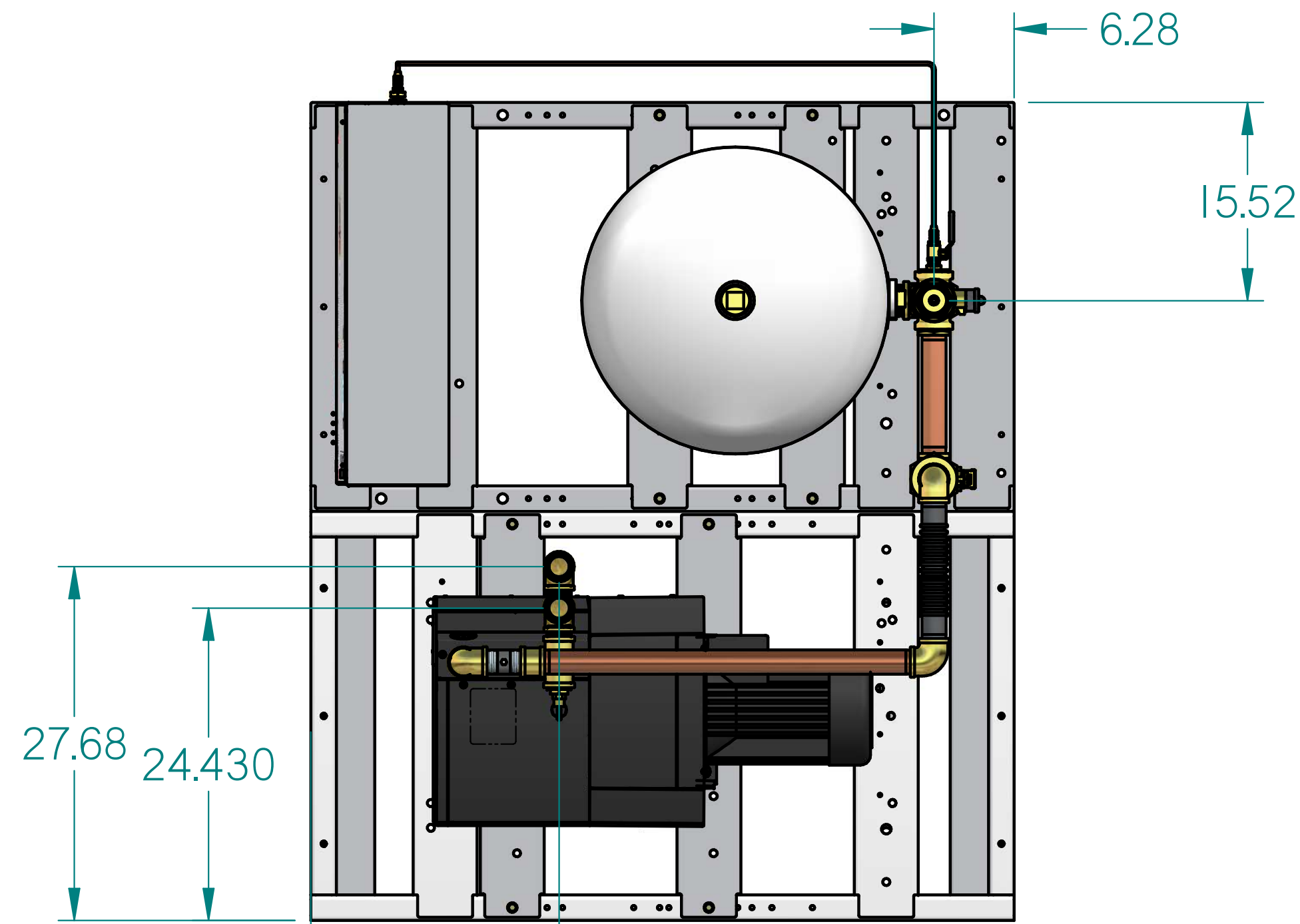


# VOPD0754XPI

7.5HP OILLESS VACUUM  
120GAL DUPLEX

REVISION NOTES		
DESCRIPTION	ECN	PR/NOR
3D RELEASE	PXEC0293	N/A



- NOTES:  
1. APPROXIMATE WEIGHT: 1484 lbm  
2. A MINIMUM OF 24" CLEARANCE IS RECOMMENDED AROUND THE ENTIRE UNIT. CLEARANCE FOR CONTROL PANEL SHALL BE IN ACCORDANCE WITH OSHA/NEC REQUIREMENTS.  
3. SYSTEM DESIGNED IN COMPLIANCE WITH U.S. NFPA '99, LATEST EDITION.

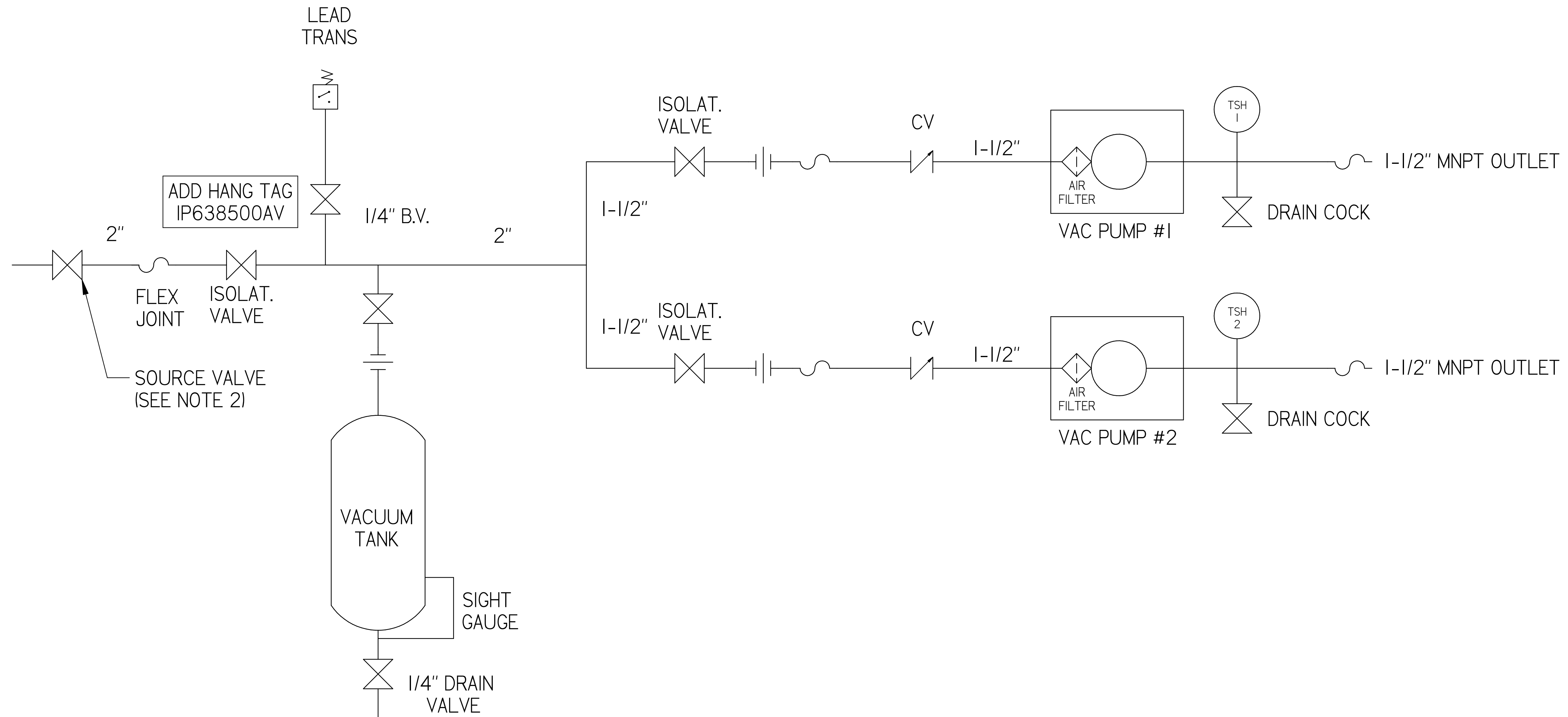
SYMBOL LEGEND		DRAWINGS TO CONFORM TO CURRENT REVISION OF THE FOLLOWING ANSI STANDARDS: #14.3 MULTI AND SECTIONAL VIEW DIMS #14.5 DIMENSIONING AND TOLERANCING	
TOLERANCES NOT SPECIFIED	SOLID EDGE DRAWING	DO NOT SCALE DRAWING FOR DIMENSIONS	
0.XXX ± .005		SHEET 1 OF 2	SCALE 1:8
0.XXX ± .010	INCH	APPROVALS ON FILE IN PLM	
CONFIDENTIAL DISCLOSURE This drawing is the property of POWEREX of the SCOTT FETTER COMPANY and is subject to return on demand. Its contents are confidential and must not be copied or submitted to outside parties for use or examination.		AUTHOR TATA	ORIGINATION DATE 28-02-2019
ITEM ID ---	POWEREX 150 PRODUCTION DRIVE, HARRISON OH 45030 888-768-7079		REVISION
DESCRIPTION 7.5HP OILLESS VACUUM 120GAL DUPLEX	DRAWING NUMBER VOPD0754XPI	SIZE D	

# VOPD0754XPI

7.5HP OILLESS VACUUM  
120GAL DUPLEX

## REVISION NOTES

DESCRIPTION	ECN	PR/NOR
3D RELEASE	PXEC0293	N/A



### LEGEND

	TEMP. SWITCH		VACUUM SWITCH
	AIR FILTER		CHECK VALVE
	BALL VALVE		FLEX LINE
			UNION

NOTE:  
A 1/4 INCH VENT PLUG IS  
LOCATED IN THE FILTER HOUSING

- NOTES:  
1) TSH - TEMPERATURE SWITCH HIGH  
2) PER NFPA THE SYSTEM WILL REQUIRE A SOURCE VALVE (SUPPLIED BY OTHERS)

SYMBOL LEGEND	DRAWINGS TO CONFORM TO CURRENT REVISION OF THE FOLLOWING ANSI STANDARDS:		
	#14.3 MULTI AND SECTIONAL VIEW DIMS		
	#14.5 DIMENSIONING AND TOLERANCING		
TOLERANCES NOT SPECIFIED:	SOLID EDGE DRAWING	DO NOT SCALE DRAWING FOR DIMENSIONS	
0.001 ± .001	INCH	SHEET 2 OF 2	SCALE 1:1
<small>CONFIDENTIAL DISCLOSURE</small> This drawing is the property of POWEREX or the SCOTT FETTER COMPANY and is subject to return on demand. Its contents are confidential and must not be copied or submitted to outside parties for use or examination.			
ITEM ID	TATA	ORIGINATION DATE	APPROVALS ON FILE IN PLM
MATERIAL		28-02-2019	
 150 PRODUCTION DRIVE, HARRISON OH 45030 (888) 768-7079		DRAWING NUMBER	REVISION
DESCRIPTION 7.5HP OILLESS VACUUM 120GAL DUPLEX		VOPD0754XPI	D