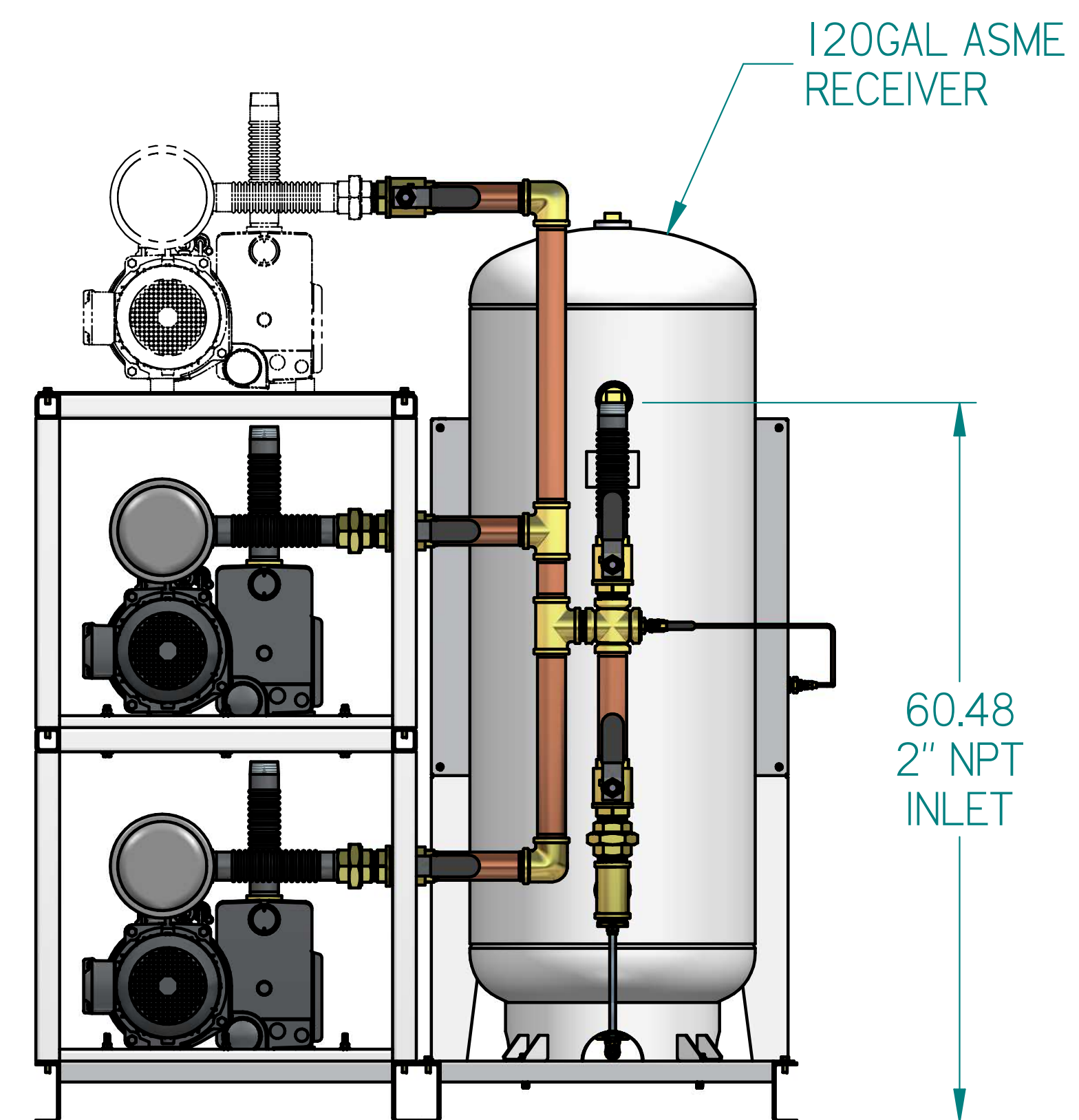
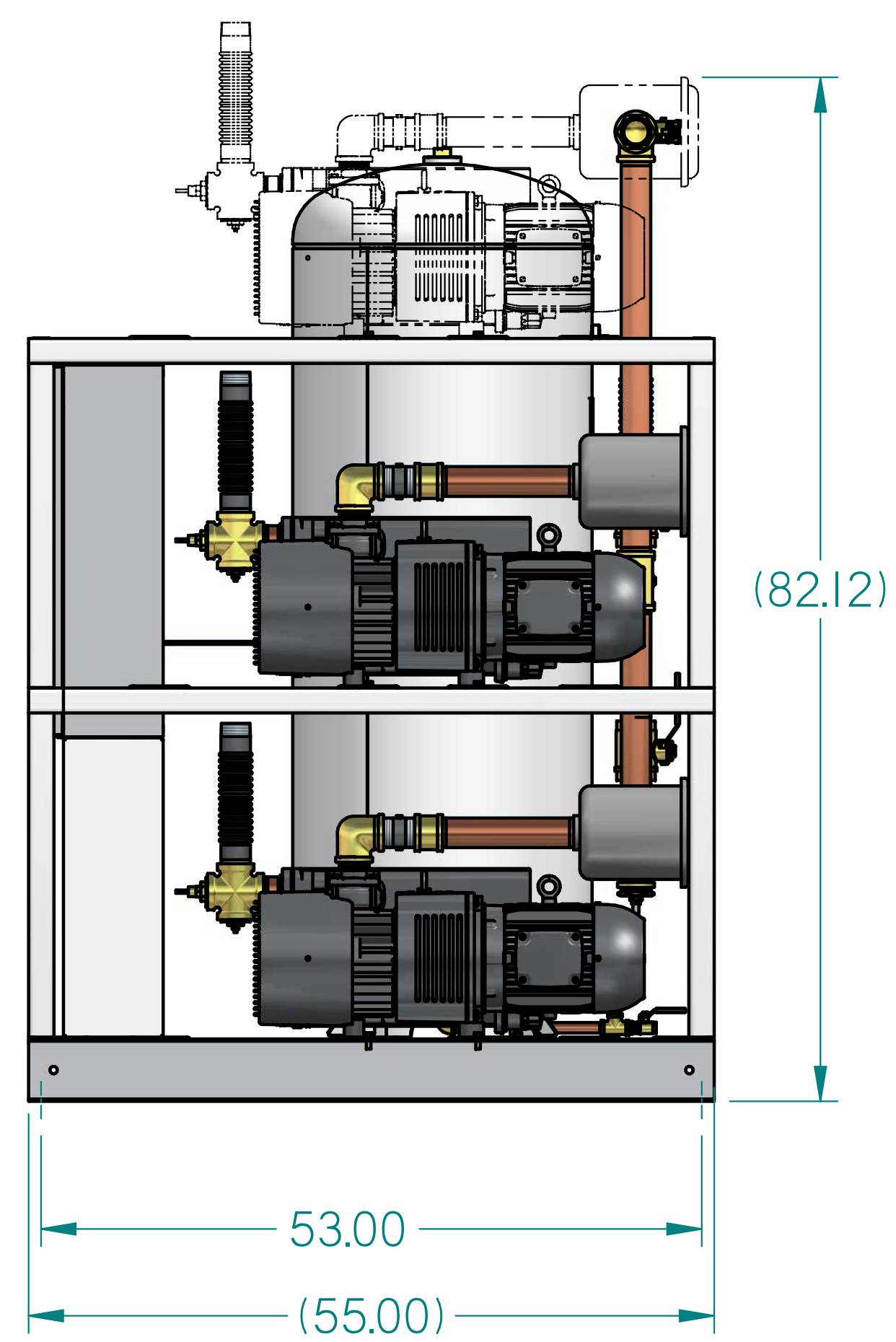
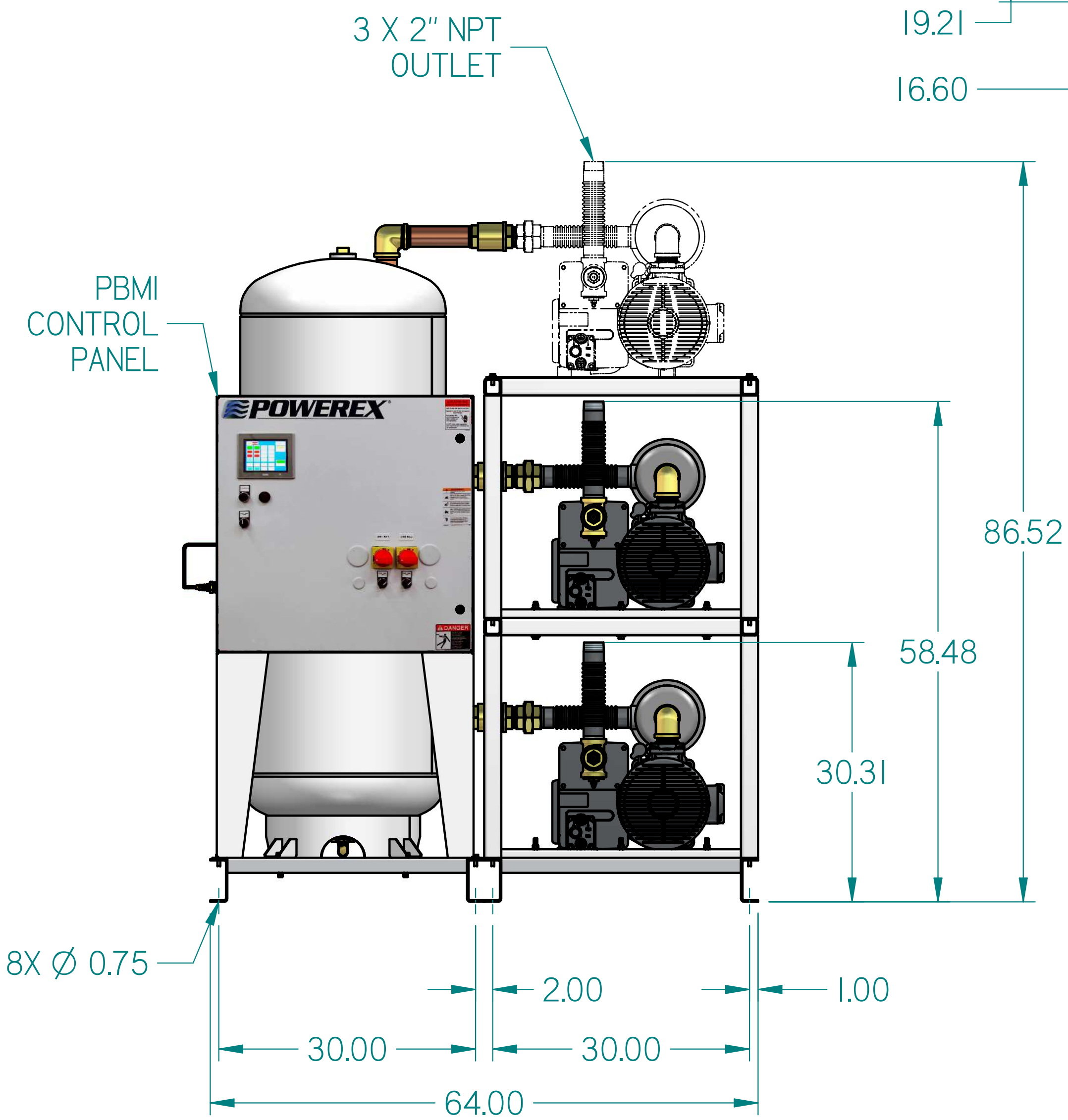
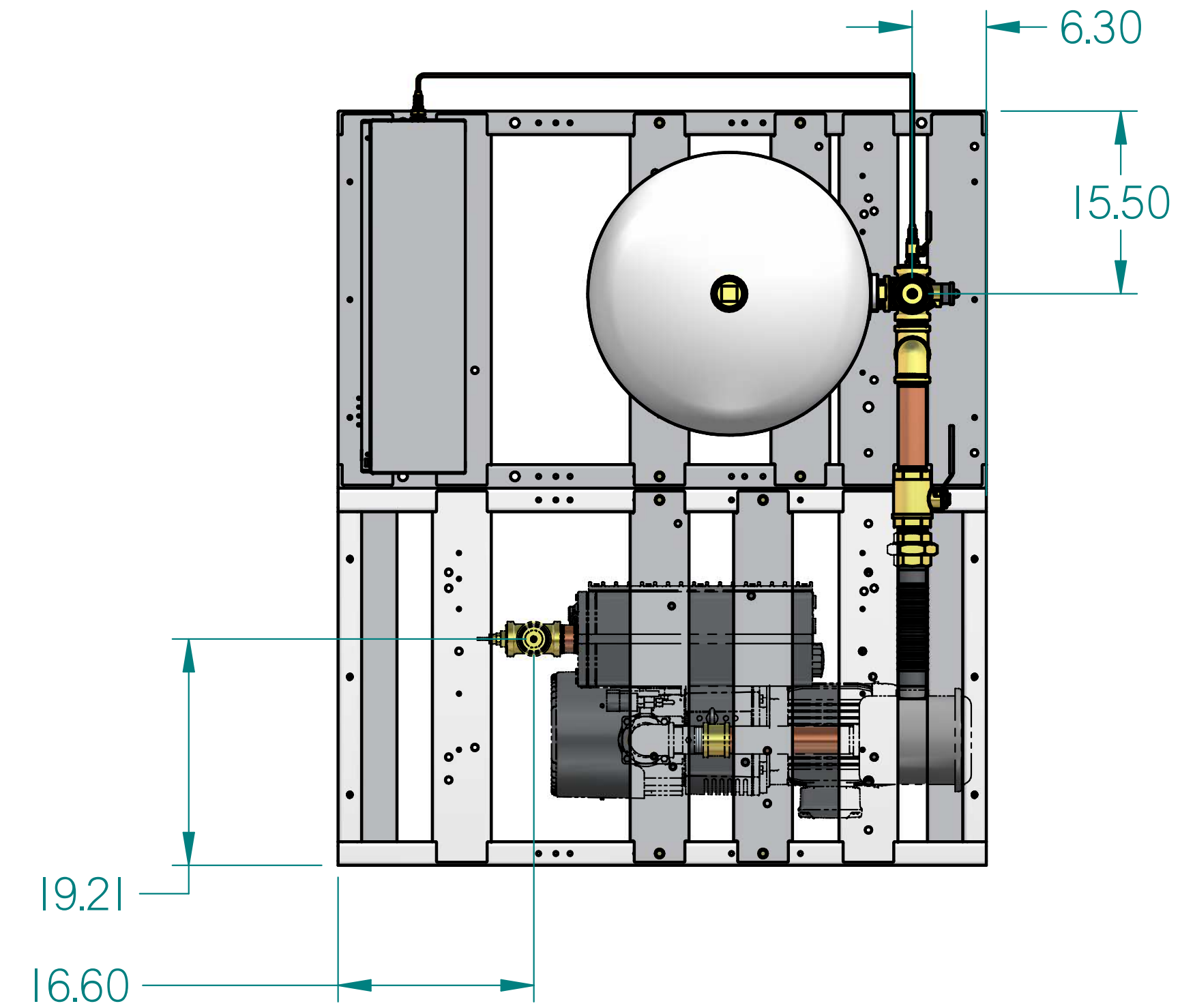


# VPD0504XPI-EX3

5HP VACUUM 120GAL  
DUPLEX EX3

REVISION NOTES		
DESCRIPTION	ECN	PR/NOR
3D RELEASE	PXEC0293	N/A



- NOTES:
1. APPROXIMATE WEIGHT: 3179 lbm
  2. A MINIMUM OF 24" CLEARANCE IS RECOMMENDED AROUND THE ENTIRE UNIT. CLEARANCE FOR CONTROL PANEL SHALL BE IN ACCORDANCE WITH OSHA/NEC REQUIREMENTS.
  3. SYSTEM DESIGNED IN COMPLIANCE WITH U.S. NFPA '99, LATEST EDITION.

SYMBOL LEGEND		DRAWINGS TO CONFORM TO CURRENT REVISION OF THE FOLLOWING ANSI STANDARDS:	
TOLERANCES NOT SPECIFIED:		Y14.3 MULTI AND SECTIONAL VIEW DIMS	
0.XXX ± .005	SOLID EDGE DRAWING	Y14.5 DIMENSIONING AND TOLERANCING	
0.XXX ± .010		DO NOT SCALE DRAWING FOR DIMENSIONS	
0.XXX ± .015		SHEET 1 OF 2	SCALE 1:8
CONFIDENTIAL DISCLOSURE: This drawing is the property of POWEREX or the SCOTT FETTER COMPANY and is subject to return on demand. Its contents are confidential and must not be copied or submitted to outside parties for use or examination.		AUTHOR	APPROVALS ON FILE IN PLM
ITEM ID		TATA	02-04-2019
MATERIAL		POWEREX	
DESCRIPTION		DRAWING NUMBER	REVISION
5HP VACUUM 120GAL DUPLEX EX3		VPD0504XPI-EX3	D

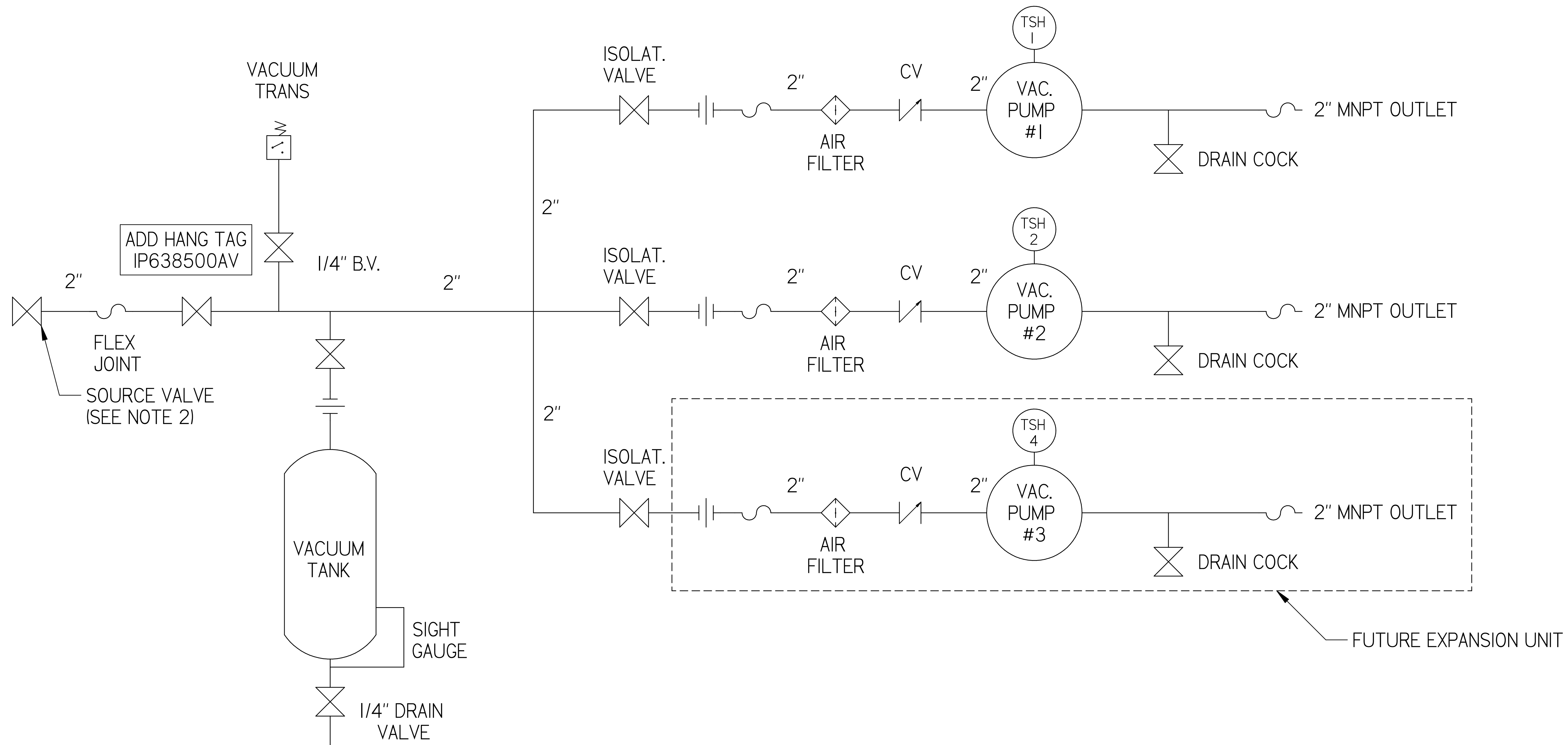


# VPD0504XPI-EX3

5HP VACUUM 120GAL  
 DUPLEX EX3

## REVISION NOTES

DESCRIPTION	ECN	PR/NOR
3D RELEASE	PXEC0293	N/A



### LEGEND

	TEMP. SWITCH		VACUUM SWITCH
	AIR FILTER		CHECK VALVE
	BALL VALVE		FLEX LINE
			UNION

NOTE:  
 A 1/4 INCH VENT PLUG IS  
 LOCATED IN THE FILTER HOUSING

- NOTES:  
 1) TSH - TEMPERATURE SWITCH HIGH  
 2) PER NFPA THE SYSTEM WILL REQUIRE A SOURCE VALVE (SUPPLIED BY OTHERS)

SYMBOL LEGEND		DRAWINGS TO CONFORM TO CURRENT REVISION OF THE FOLLOWING ANSI STANDARDS: Y14.3 MULTI-VIEW AND SECTIONAL VIEW DIMS Y14.5 DIMENSIONING AND TOLERANCING	
TOLERANCES NOT SPECIFIED	SOLID EDGE DRAWING	DO NOT SCALE DRAWING FOR DIMENSIONS	
0.00X ± .005	INCH	SHEET 2 OF 2	SCALE 1:1
CONFIDENTIAL DISCLOSURE This drawing is the property of POWEREX of the SCOTT FETTER COMPANY and is subject to return on demand. Its contents are confidential and must not be copied or submitted to outside parties for use or examination.		AUTHOR: TATA ORIGINATION DATE: 02-04-2019 APPROVALS ON FILE IN PLM	
ITEM ID			
MATERIAL	150 PRODUCTION DRIVE, HARRISON OH 45030 (938) 768-7079		
DESCRIPTION 5HP VACUUM 120GAL DUPLEX EX3	DRAWING NUMBER VPD0504XPI-EX3	REVISION	SIZE D