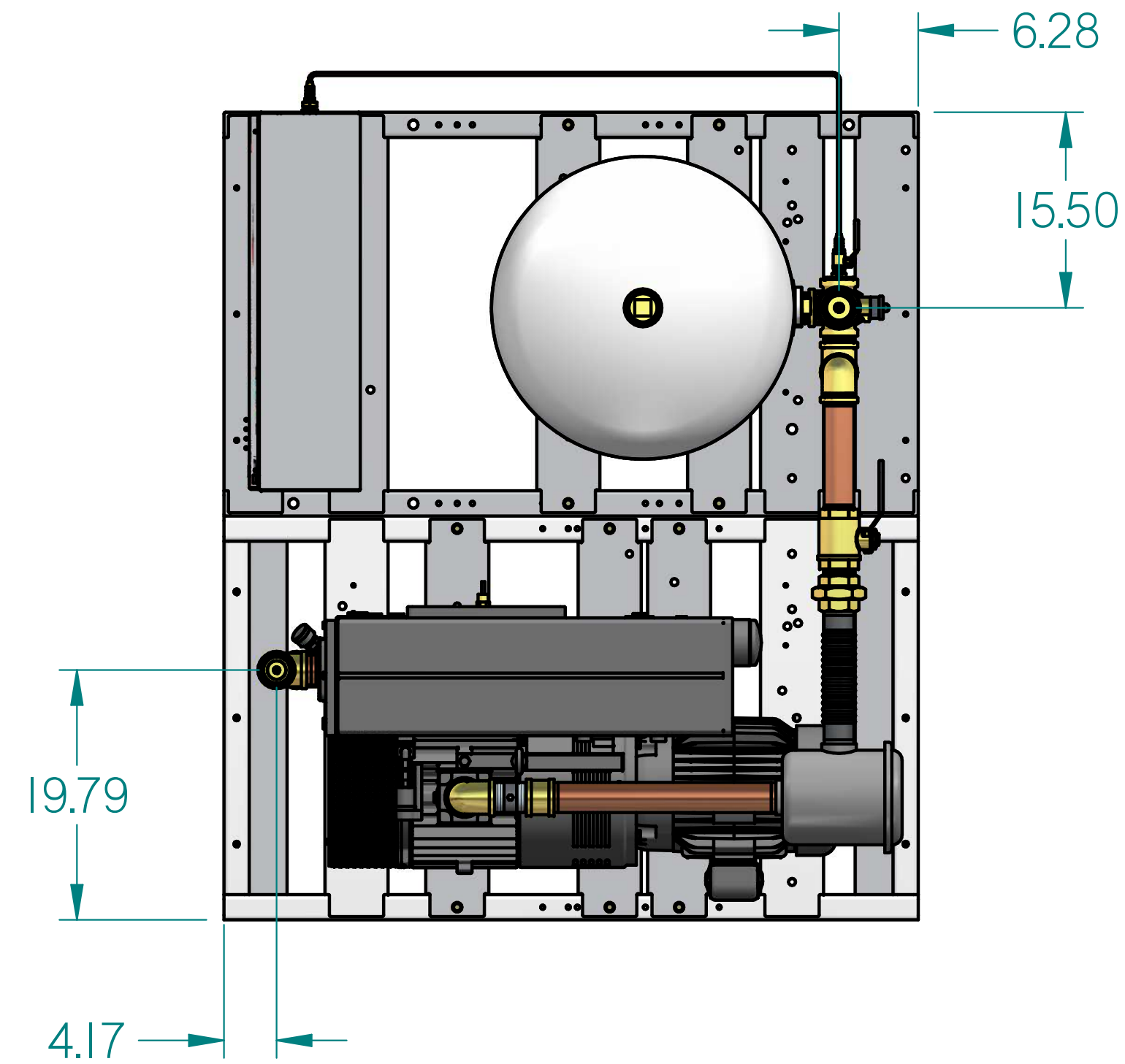


REVISION NOTES

DESCRIPTION	ECN	PR/NOR
3D RELEASE	PXEC0293	N/A

VPDI004PI
10 HP VACCUM 120GAL
DUPLEX

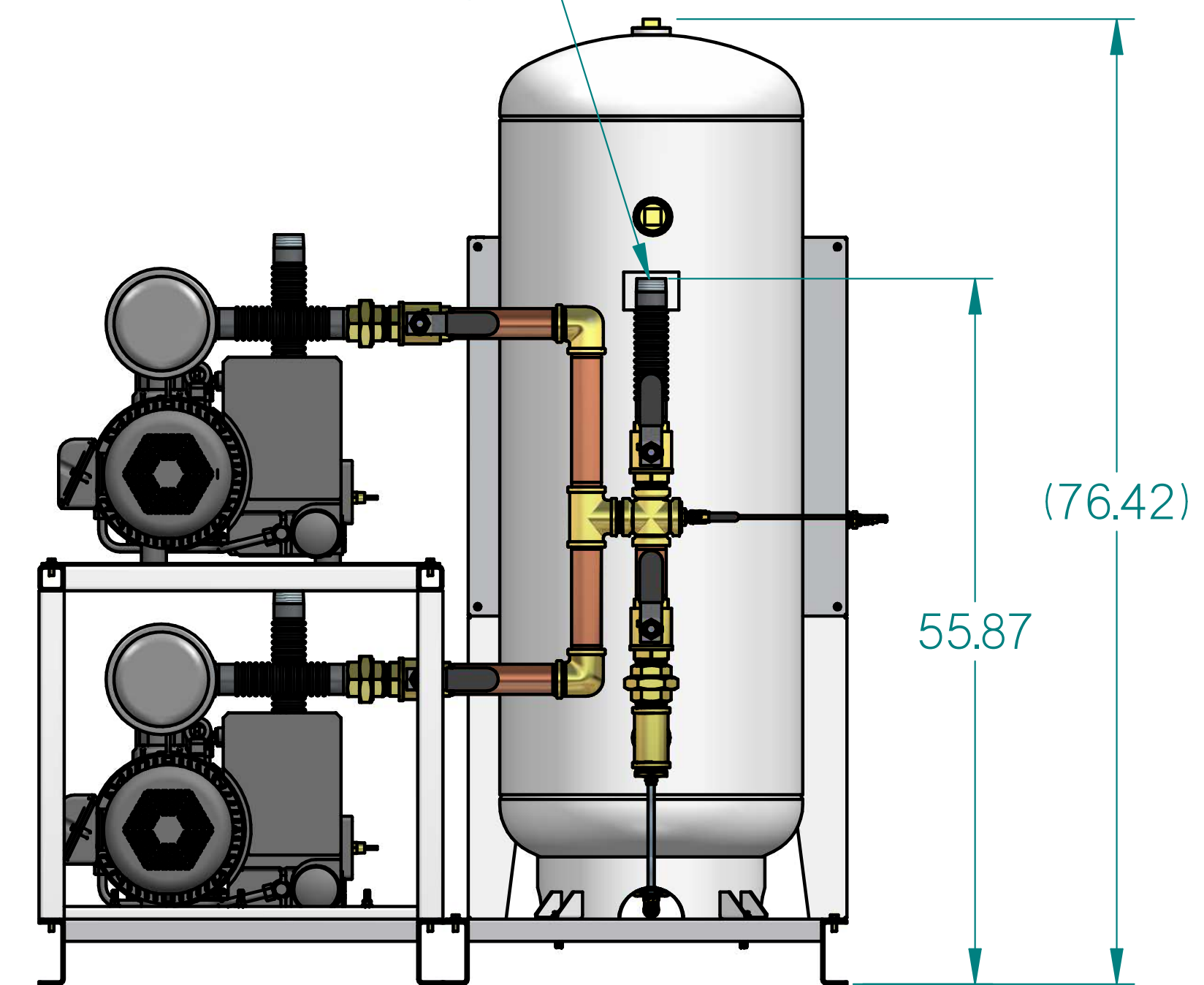
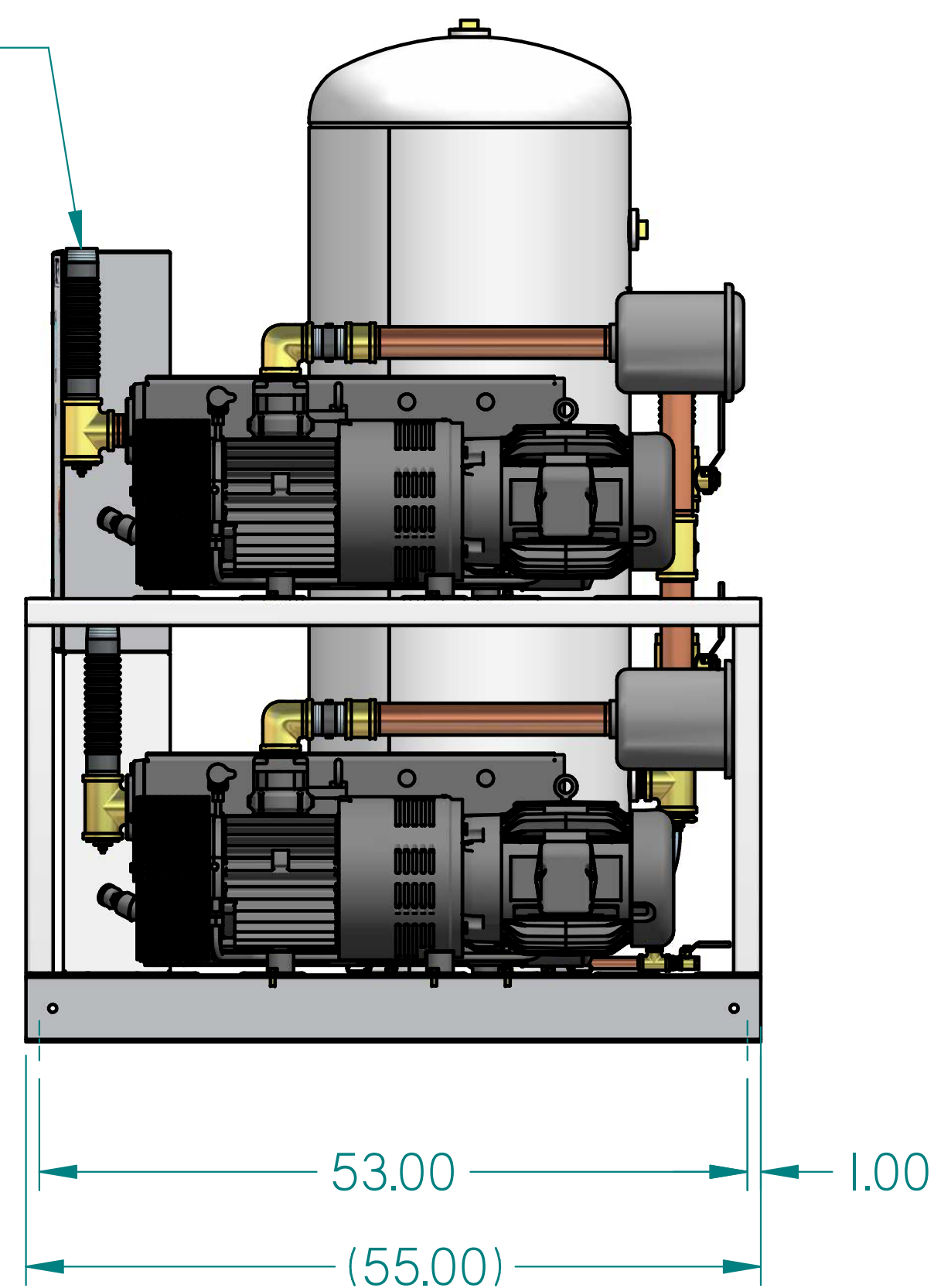
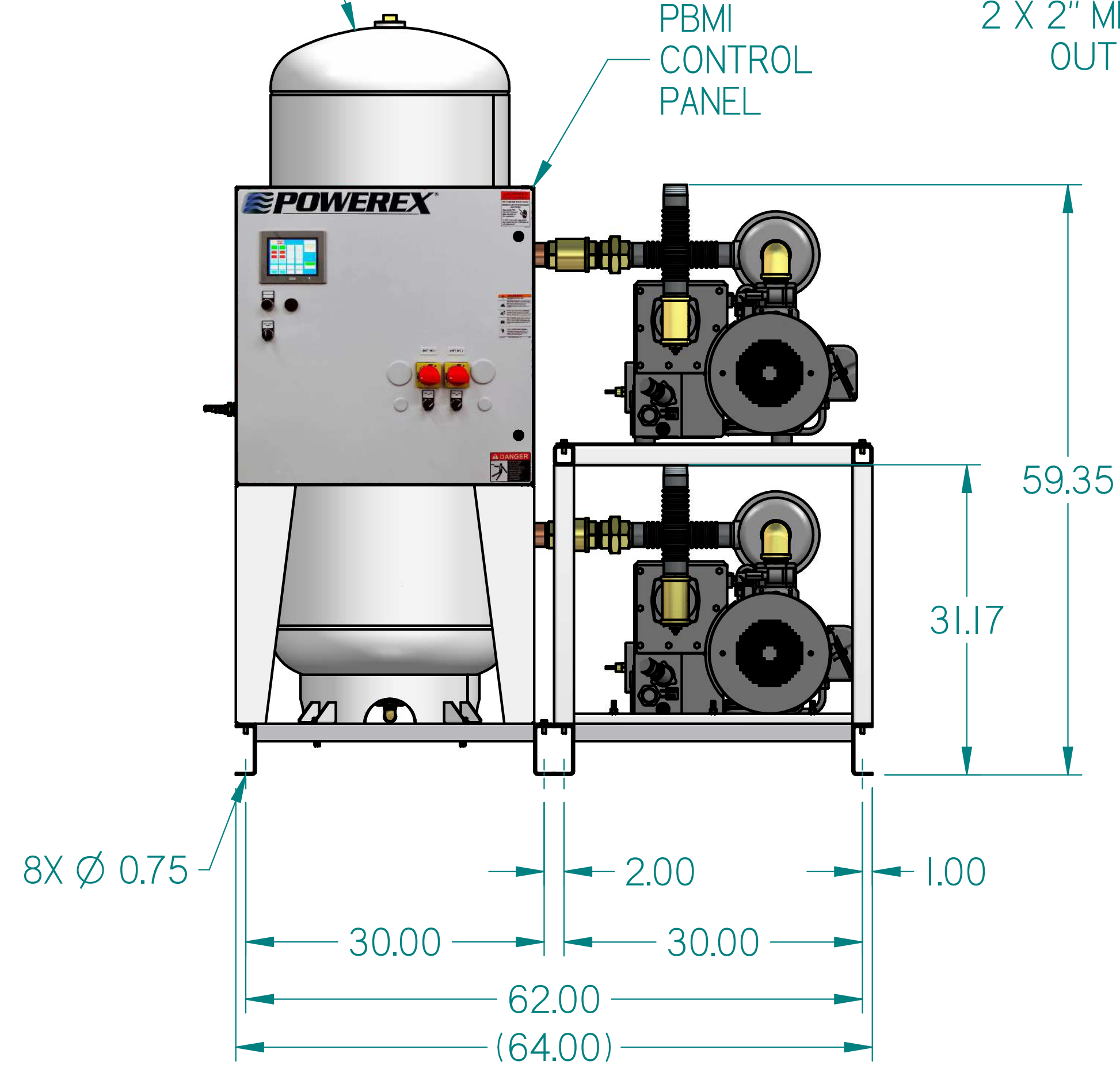


120GAL ASME
RECEIVER

PBMI
CONTROL
PANEL

2 X 2" MNPT
OUTLET

2" MNPT
INLET



- NOTES:
1. APPROXIMATE WEIGHT: 1881 lbm
2. A MINIMUM OF 24" CLEARANCE IS RECOMMENDED AROUND THE ENTIRE UNIT. CLEARANCE FOR CONTROL PANEL SHALL BE IN ACCORDANCE WITH OSHA/NEC REQUIREMENTS.
3. SYSTEM DESIGNED IN COMPLIANCE WITH U.S. NFPA '99, LATEST EDITION.

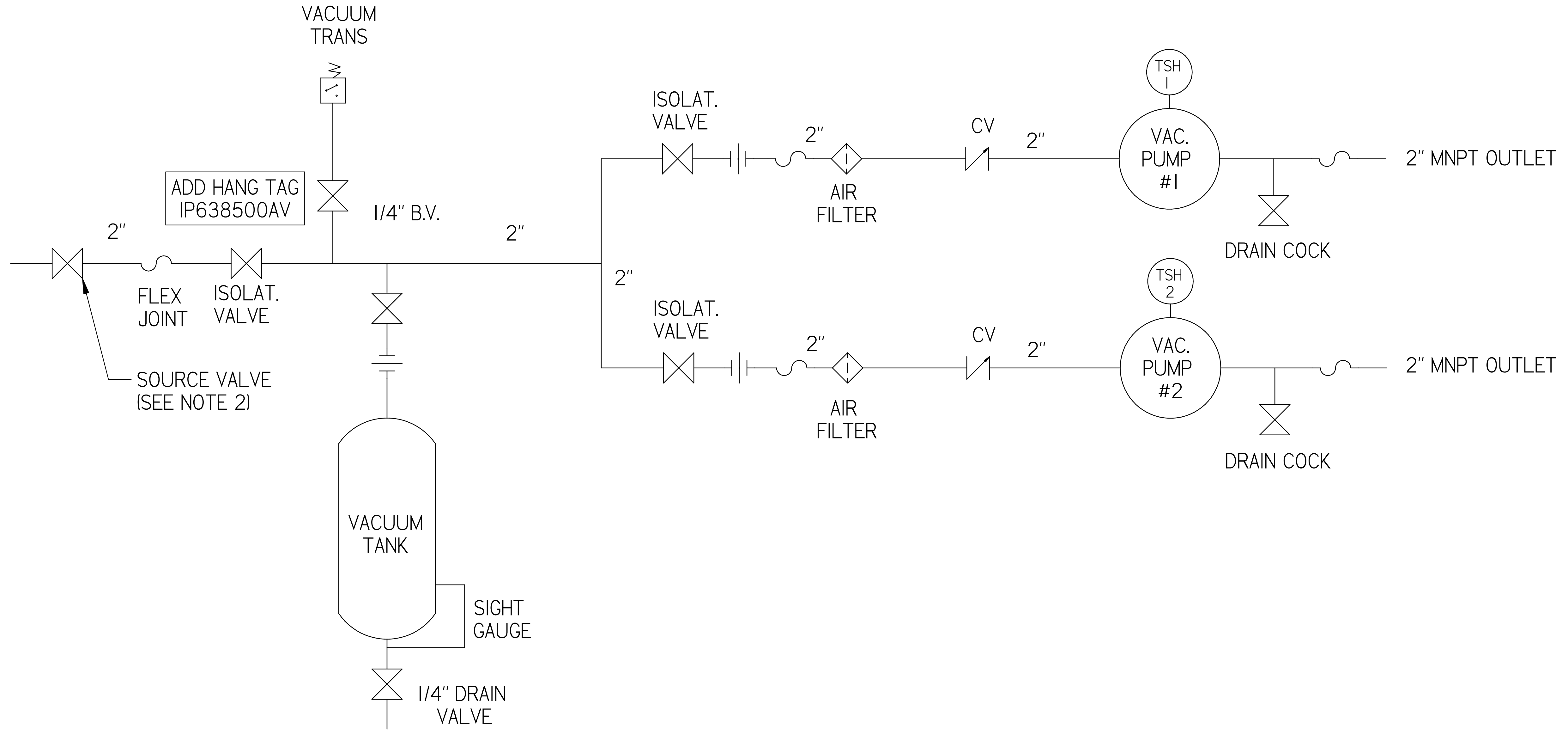
SYMBOL LEGEND		DRAWINGS TO CONFORM TO CURRENT REVISION OF THE FOLLOWING ANSI STANDARDS: #14.3 MULTI AND SECTIONAL VIEW DIMS #14.5 DIMENSIONING AND TOLERANCING	
TOLERANCES NOT SPECIFIED	SOLID EDGE DRAWING	DO NOT SCALE DRAWING FOR DIMENSIONS	
0.00X ± .005	INCH	SHEET 1 OF 2	SCALE 1:8
CONFIDENTIAL DISCLOSURE: This drawing is the property of POWEREX or the SCOTT FETTER COMPANY and is subject to return on demand. Its contents are confidential and must not be copied or submitted to outside parties for use or examination.		AUTHOR	APPROVALS ON FILE IN PLM
ITEM ID		TATA	07-03-2019
MATERIAL			
DESCRIPTION 10 HP VACCUM 120GAL DUPLEX		DRAWING NUMBER VPDI004PI	REVISION D



VPDI004PI

10 HP VACCUUM 120GAL
DUPLEX

REVISION NOTES		
DESCRIPTION	ECN	PR/NOR
3D RELEASE	PXEC0293	N/A



LEGEND

TSH 2	TEMP. SWITCH	VACUUM SWITCH	
AIR FILTER		CHECK VALVE	
BALL VALVE		FLEX LINE	
		UNION	

NOTE:
A 1/4 INCH VENT PLUG IS
LOCATED IN THE FILTER HOUSING

- NOTES:
1) TSH - TEMPERATURE SWITCH HIGH
2) PER NFPA THE SYSTEM WILL REQUIRE A SOURCE VALVE (SUPPLIED BY OTHERS)

SYMBOL LEGEND		DRAWINGS TO CONFORM TO CURRENT REVISION OF THE FOLLOWING ANSI STANDARDS:		
		#14.3 MULTI AND SECTIONAL VIEW DIMS		
		#14.5 DIMENSIONING AND TOLERANCING		
TOLERANCES NOT SPECIFIED:	SOLID EDGE DRAWING	DO NOT SCALE DRAWING FOR DIMENSIONS		
0.001 ± .001	INCH	SHEET 2 OF 2	SCALE	1:1
<small>CONFIDENTIAL DISCLOSURE</small> This drawing is the property of POWEREX of the SCOTT FETTER COMPANY and is subject to return on demand. Its contents are confidential and must not be copied or submitted to outside parties for use or examination.		AUTHOR	REGISTRATION DATE	APPROVALS ON FILE IN PLM
		TATA	07-03-2019	
ITEM ID	POWEREX			
MATERIAL	<small>150 PRODUCTION DRIVE, HARRISON OH 45030 888-768-7079</small>			
DESCRIPTION	DRAWING NUMBER	REVISION	SIZE	
10 HP VACCUUM 120GAL DUPLEX	VPDI004PI		D	