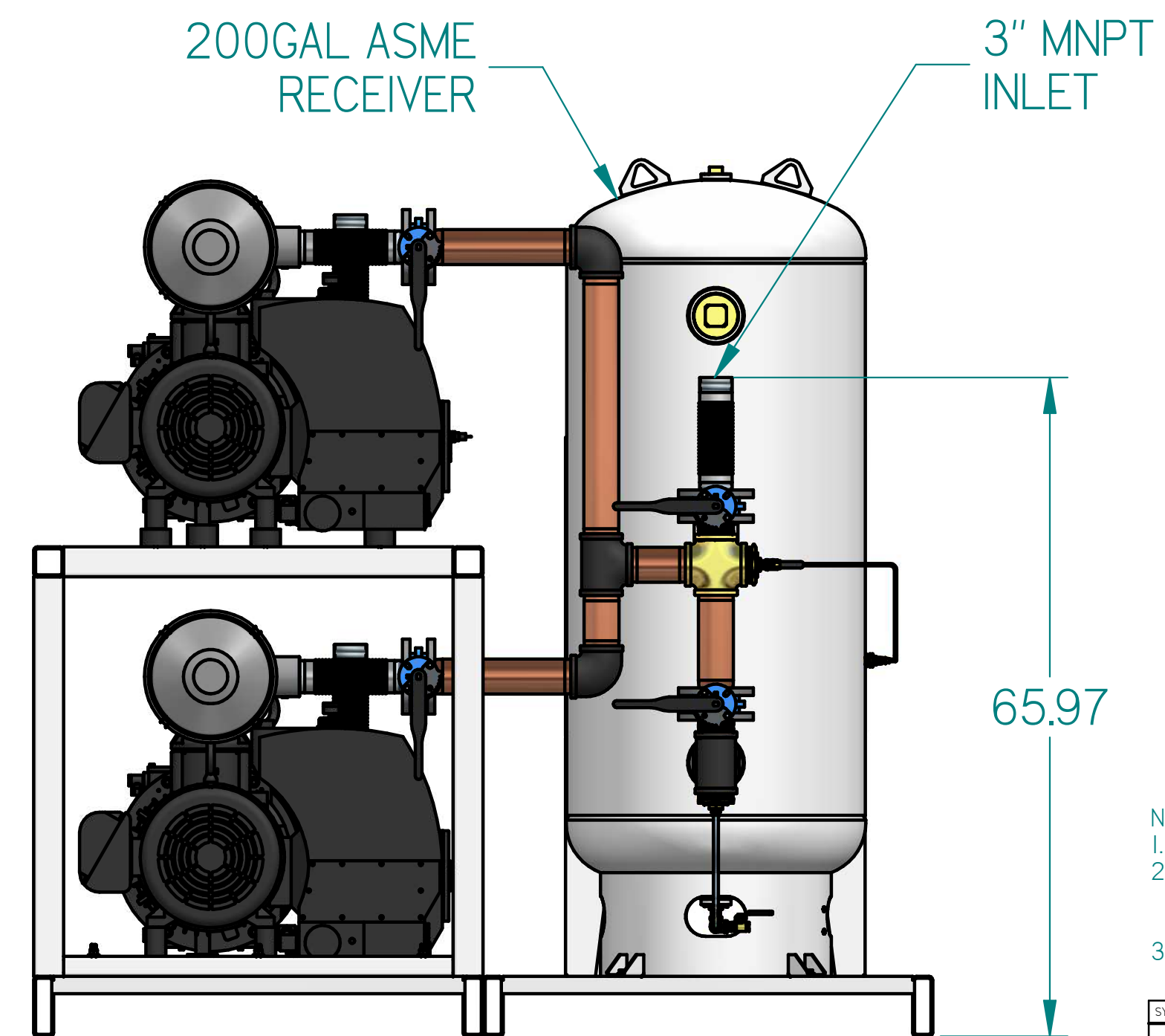
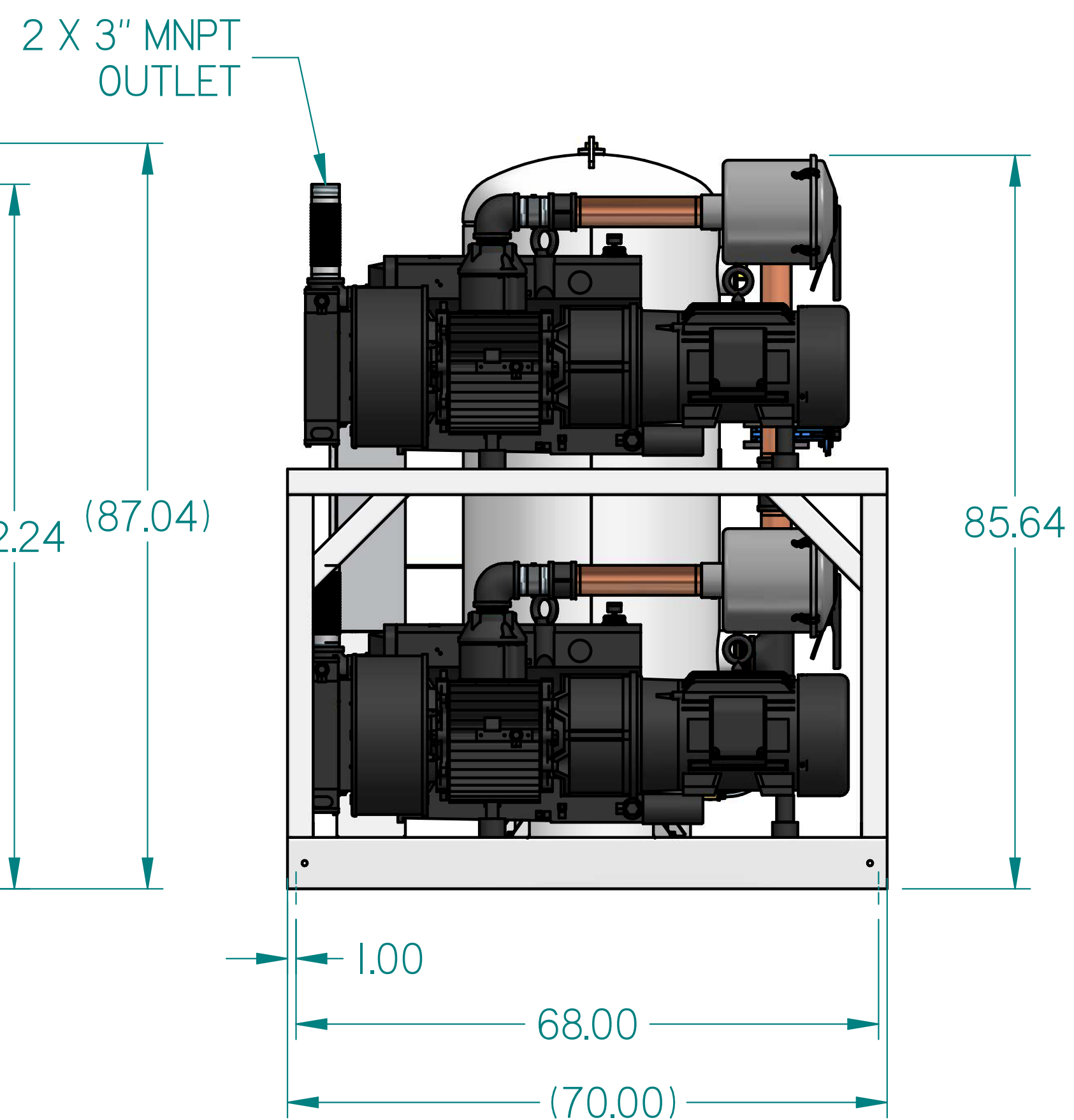
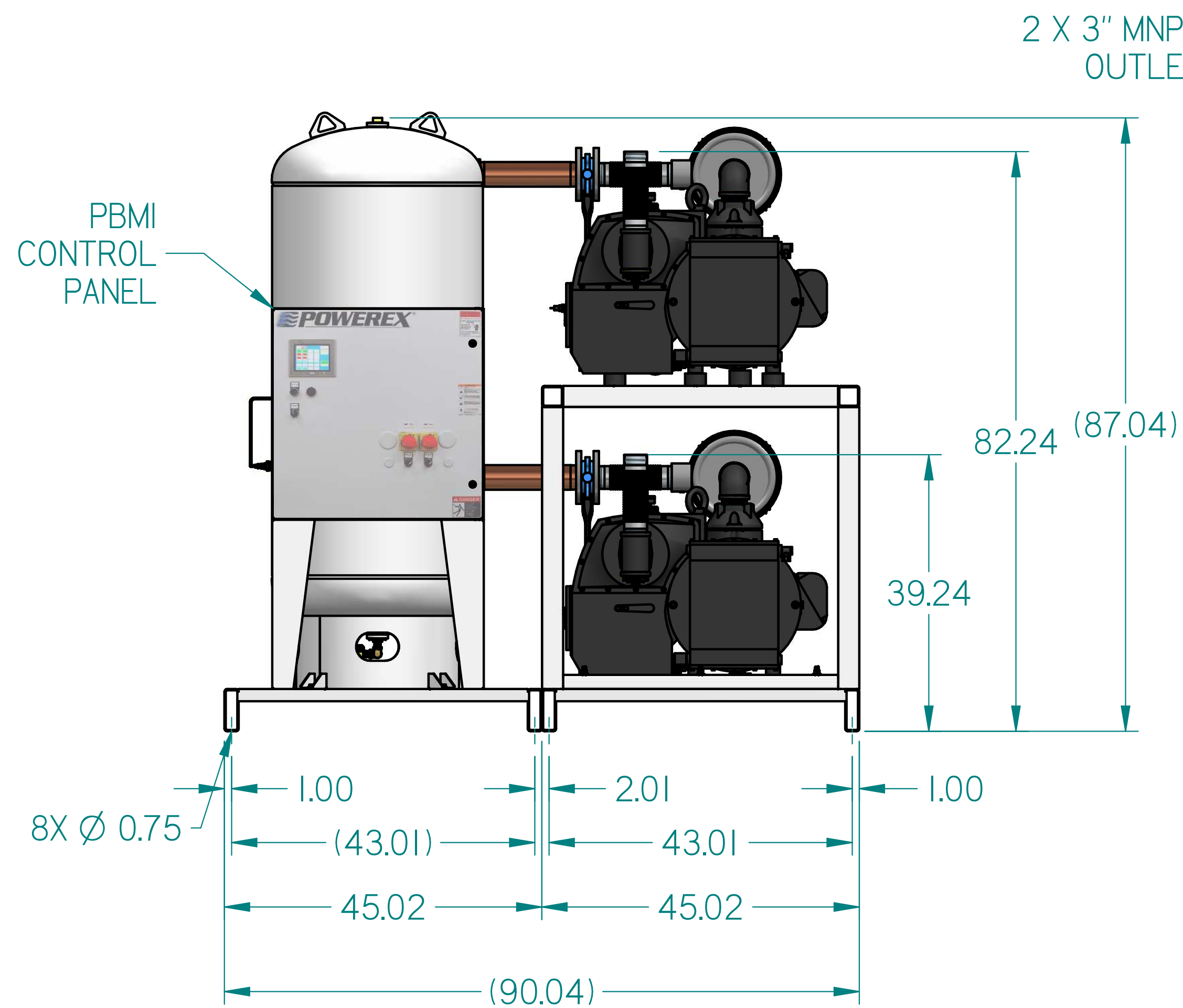
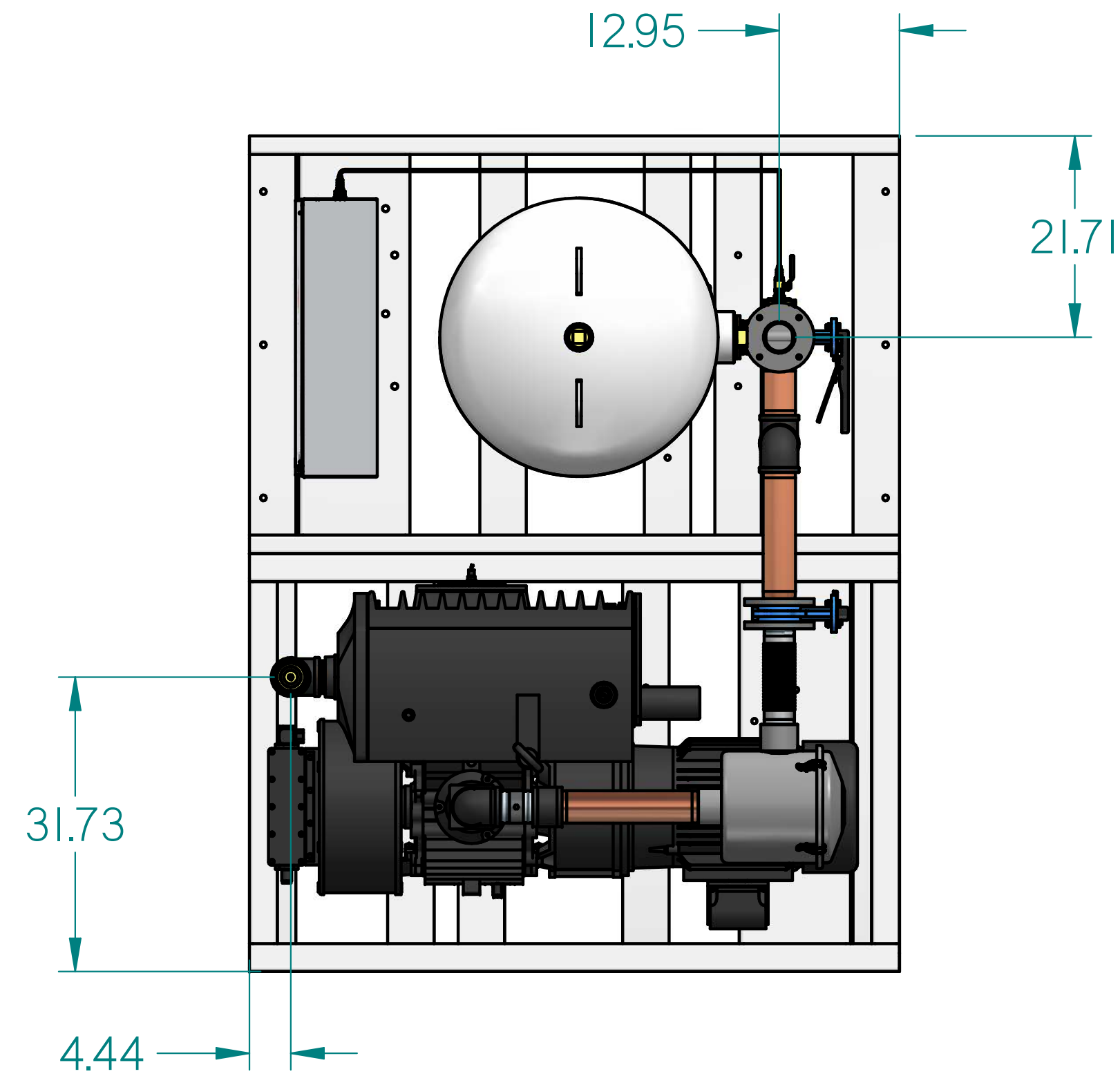


VPD2005PI

20HP. VACUUM 200GAL. DUPLEX

REVISION NOTES		
DESCRIPTION	ECN	PR/NOR
3D RELEASE	PXEC0293	N/A



- NOTES:
1. APPROXIMATE WEIGHT: 4182 lbm
 2. A MINIMUM OF 24" CLEARANCE IS RECOMMENDED AROUND THE ENTIRE UNIT. CLEARANCE FOR CONTROL PANEL SHALL BE IN ACCORDANCE WITH OSHA/NEC REQUIREMENTS.
 3. SYSTEM DESIGNED IN COMPLIANCE WITH U.S. NFPA '99, LATEST EDITION.

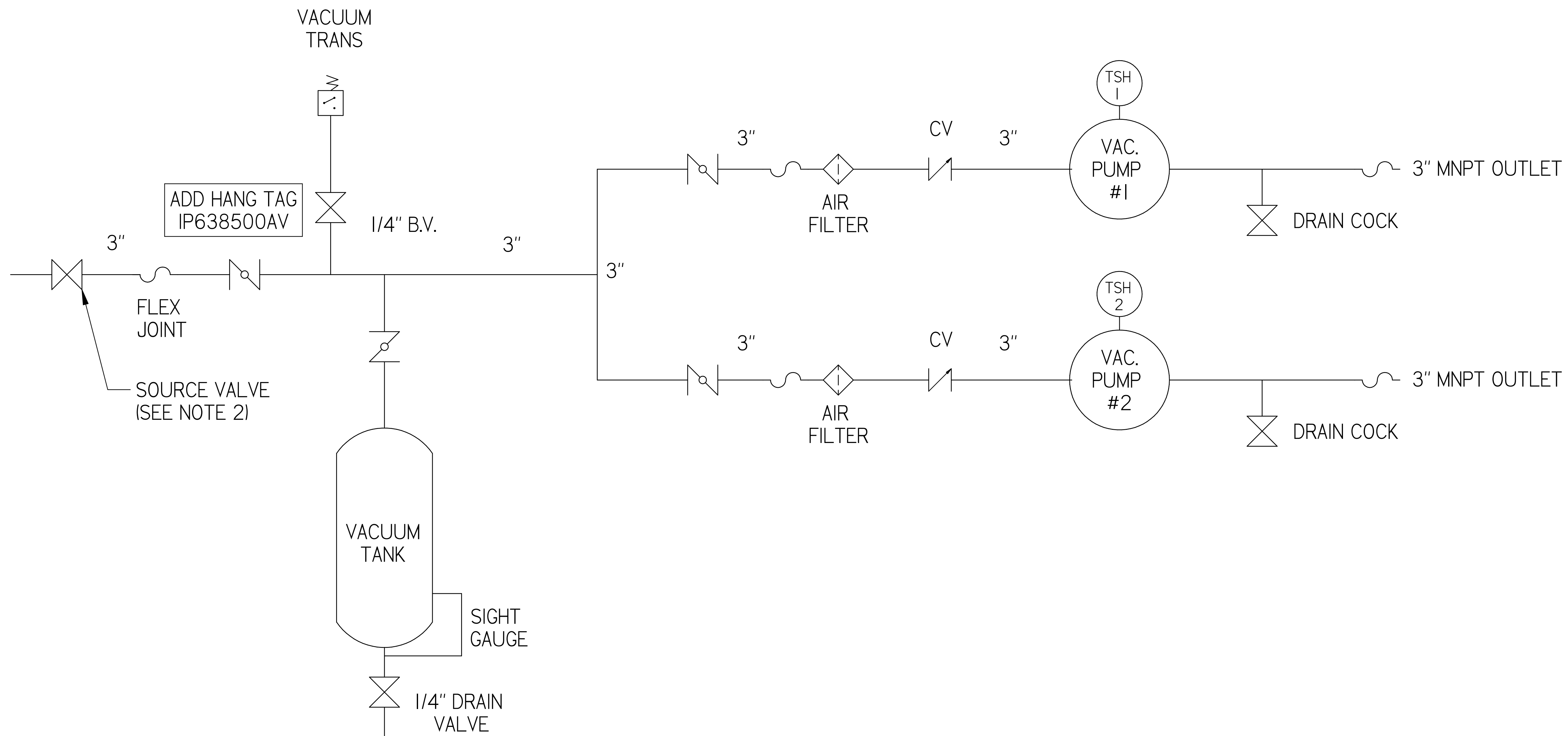
SYMBOL LEGEND		DRAWINGS TO CONFORM TO CURRENT REVISION OF THE FOLLOWING ANSI STANDARDS:	
		#14.3 MULTI AND SECTIONAL VIEW DWGS	
		#14.5 DIMENSIONING AND TOLERANCING	
TOLERANCES NOT SPECIFIED	SOLID EDGE DRAWING	DO NOT SCALE DRAWING FOR DIMENSIONS	
0.00X + .005	INCH	SHEET 1 OF 2	SCALE 1:8
0.00X + .005	INCH	APPROVALS ON FILE IN PLM	
CONFIDENTIAL DISCLOSURE: This drawing is the property of POWEREX of the SCOTT FETTER COMPANY and is subject to return on demand. Its contents are confidential and must not be copied or submitted to outside parties for use or examination.		AUTHOR	ORIGINATION DATE
		TATA	11-03-2019
ITEM ID	POWEREX		
MATERIAL	ISO PRODUCTION DRIVE, HARRISON OH 45030		
	ISS: 7/24/2019		
DESCRIPTION	DRAWING NUMBER	REVISION	SIZE
20HP. VACUUM 200GAL. DUPLEX	VPD2005PI		D



VPD2005PI

20HP. VACUUM 200GAL.
DUPLEX

REVISION NOTES		
DESCRIPTION	ECN	PR/NOR
3D RELEASE	PXEC0293	N/A



ADD HANG TAG
IP638500AV

FLEX
JOINT

SOURCE VALVE
(SEE NOTE 2)

VACUUM
TANK

SIGHT
GAUGE

1/4" DRAIN
VALVE

3"

AIR
FILTER

CV

TSH
1

VAC.
PUMP
#1

3" MNPT OUTLET

DRAIN COCK

3"

AIR
FILTER

CV

TSH
2

VAC.
PUMP
#2

3" MNPT OUTLET

DRAIN COCK

LEGEND

	TEMP. SWITCH		VACUUM SWITCH
	AIR FILTER		CHECK VALVE
	BALL VALVE		FLEX LINE
	BUTTERFLY VALVE		UNION

NOTE:
A 1/4 INCH VENT PLUG IS
LOCATED IN THE FILTER HOUSING

- NOTES:
1) TSH - TEMPERATURE SWITCH HIGH
2) PER NFPA THE SYSTEM WILL REQUIRE A SOURCE VALVE (SUPPLIED BY OTHERS)

SYMBOL LEGEND	DRAWINGS TO CONFORM TO CURRENT REVISION OF THE FOLLOWING ANSI STANDARDS:		
TOLERANCES NOT SPECIFIED:	SOLID EDGE DRAWING DO NOT SCALE DRAWING FOR DIMENSIONS		
0.00X ± .005	INCH	SHEET 2 OF 2	SCALE 1:1
<small>CONFIDENTIAL DISCLOSURE: This drawing is the property of POWEREX or the SCOTT FETTER COMPANY and is subject to return on demand. Its contents are confidential and must not be copied or submitted to outside parties for use or examination.</small>			
ITEM ID	TATA	ORIGINATION DATE	APPROVALS ON FILE IN PLM
MATERIAL		11-03-2019	
DESCRIPTION 20HP. VACUUM 200GAL. DUPLEX		DRAWING NUMBER VPD2005PI	REVISION SIZE D

