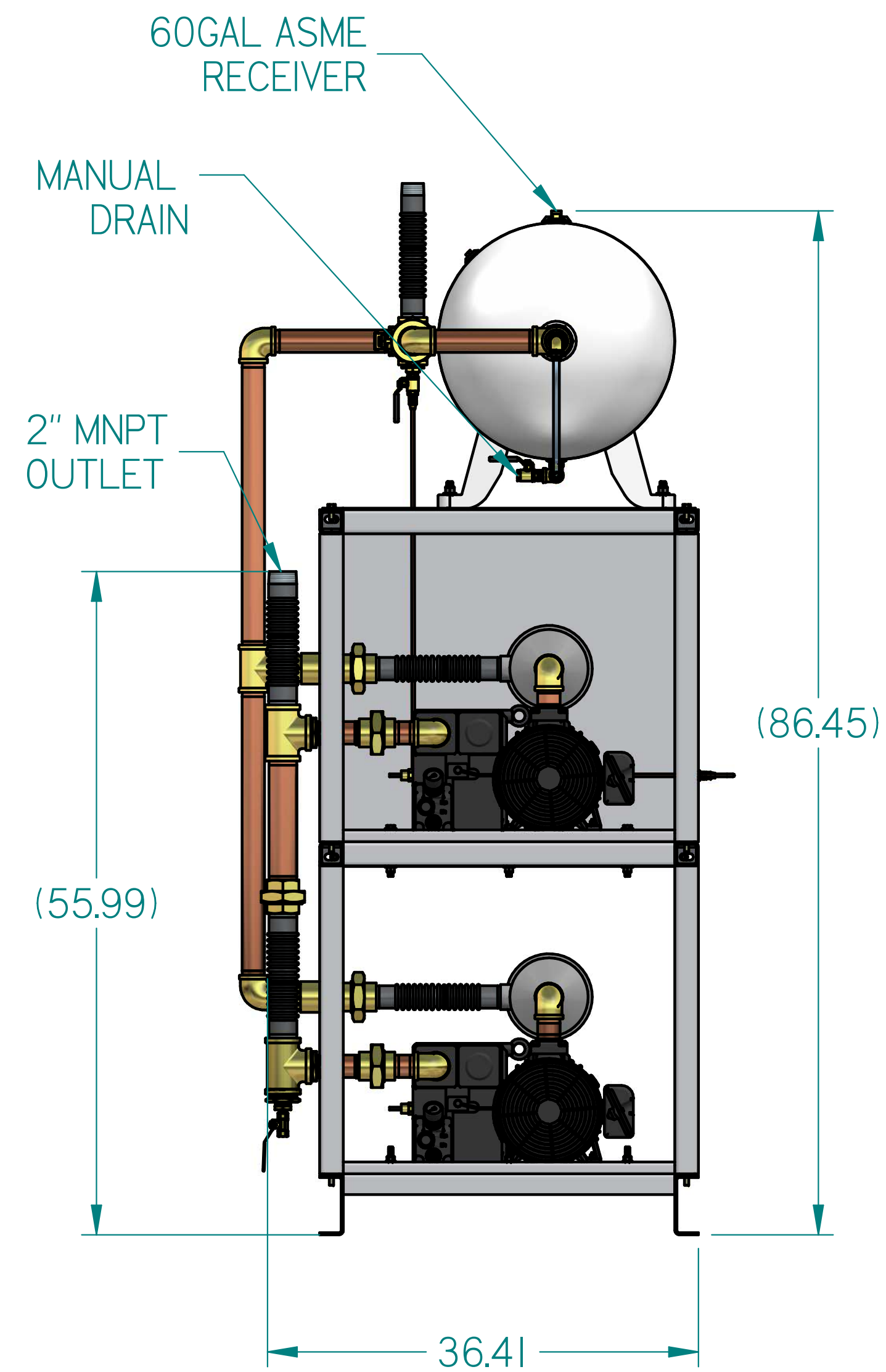
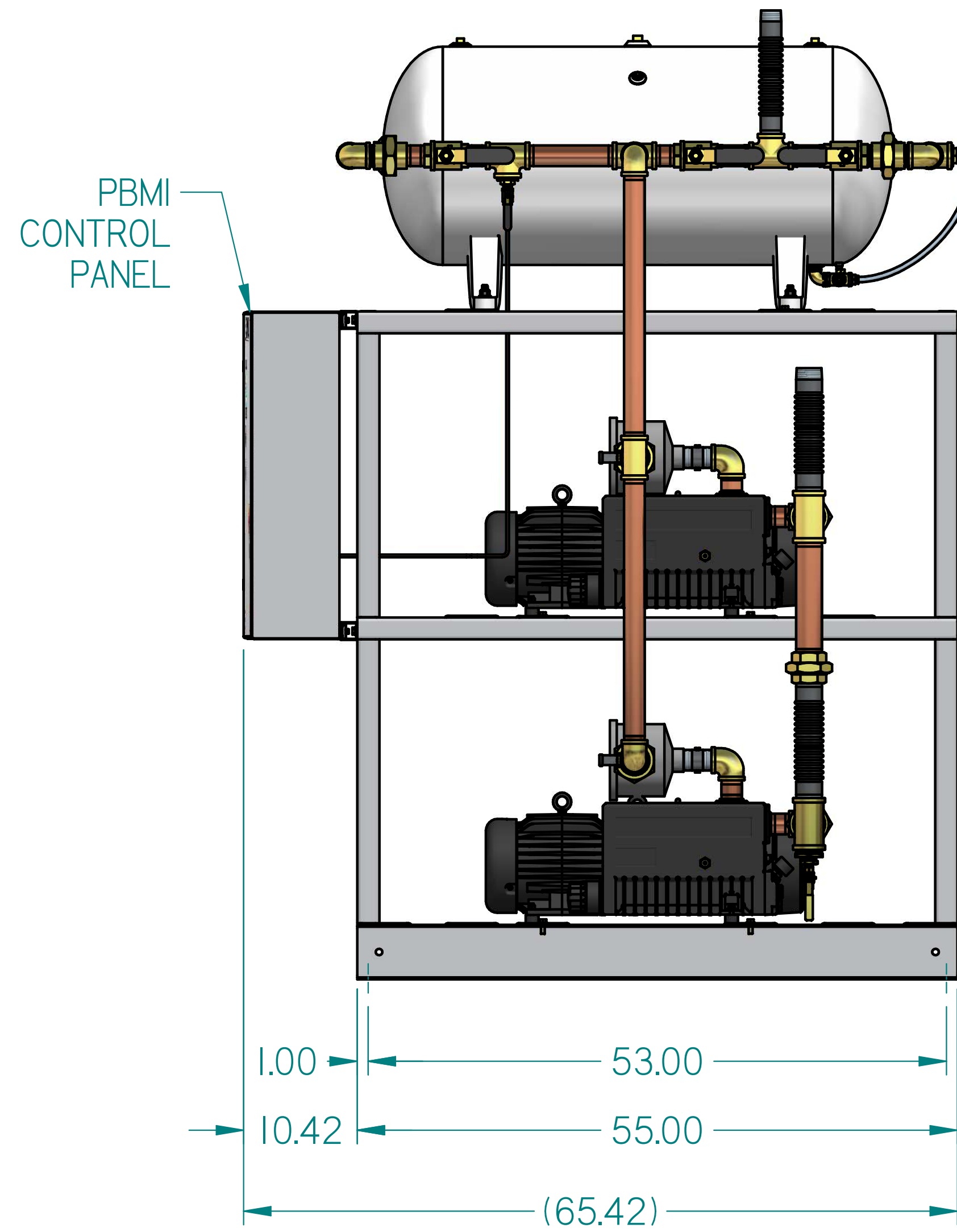
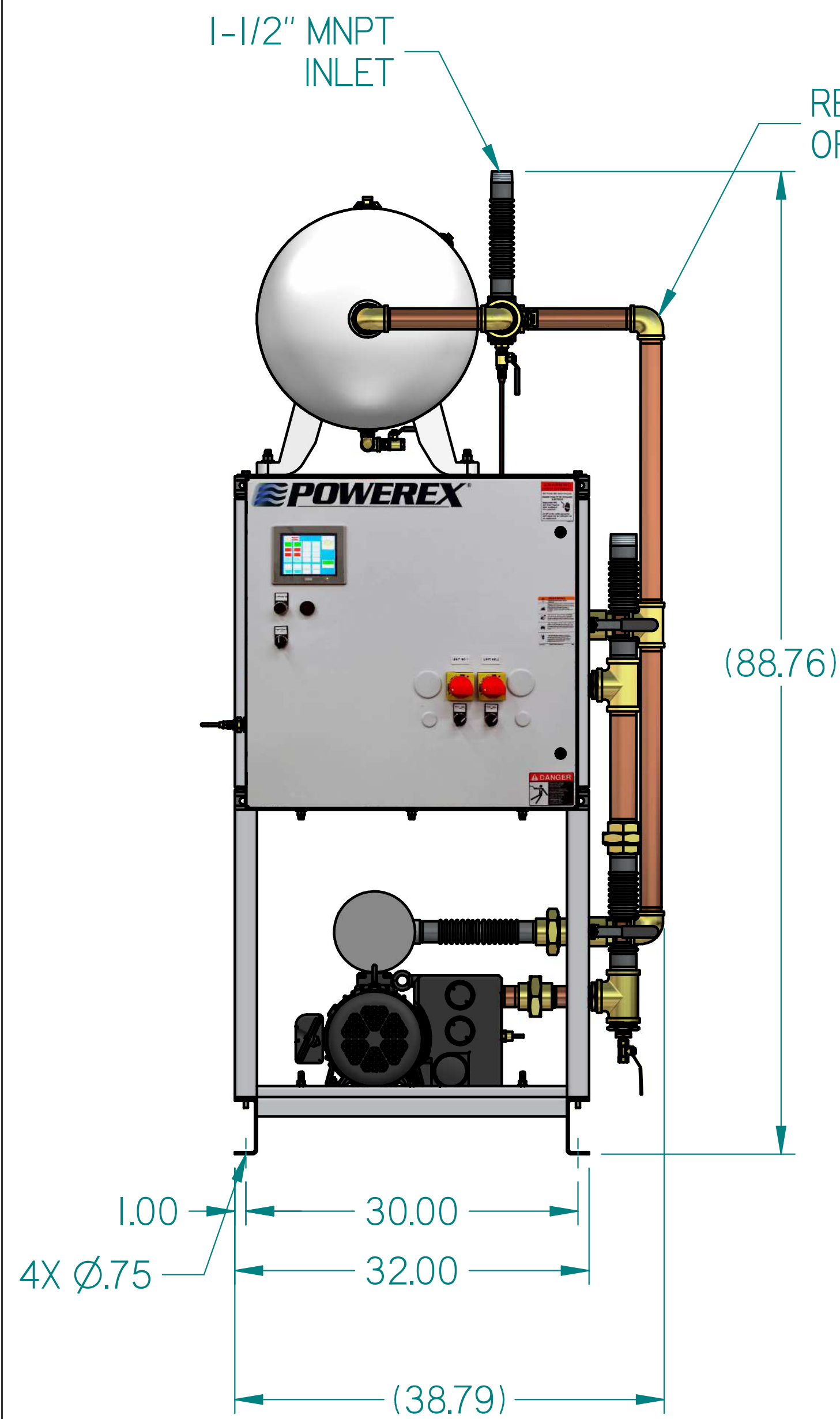
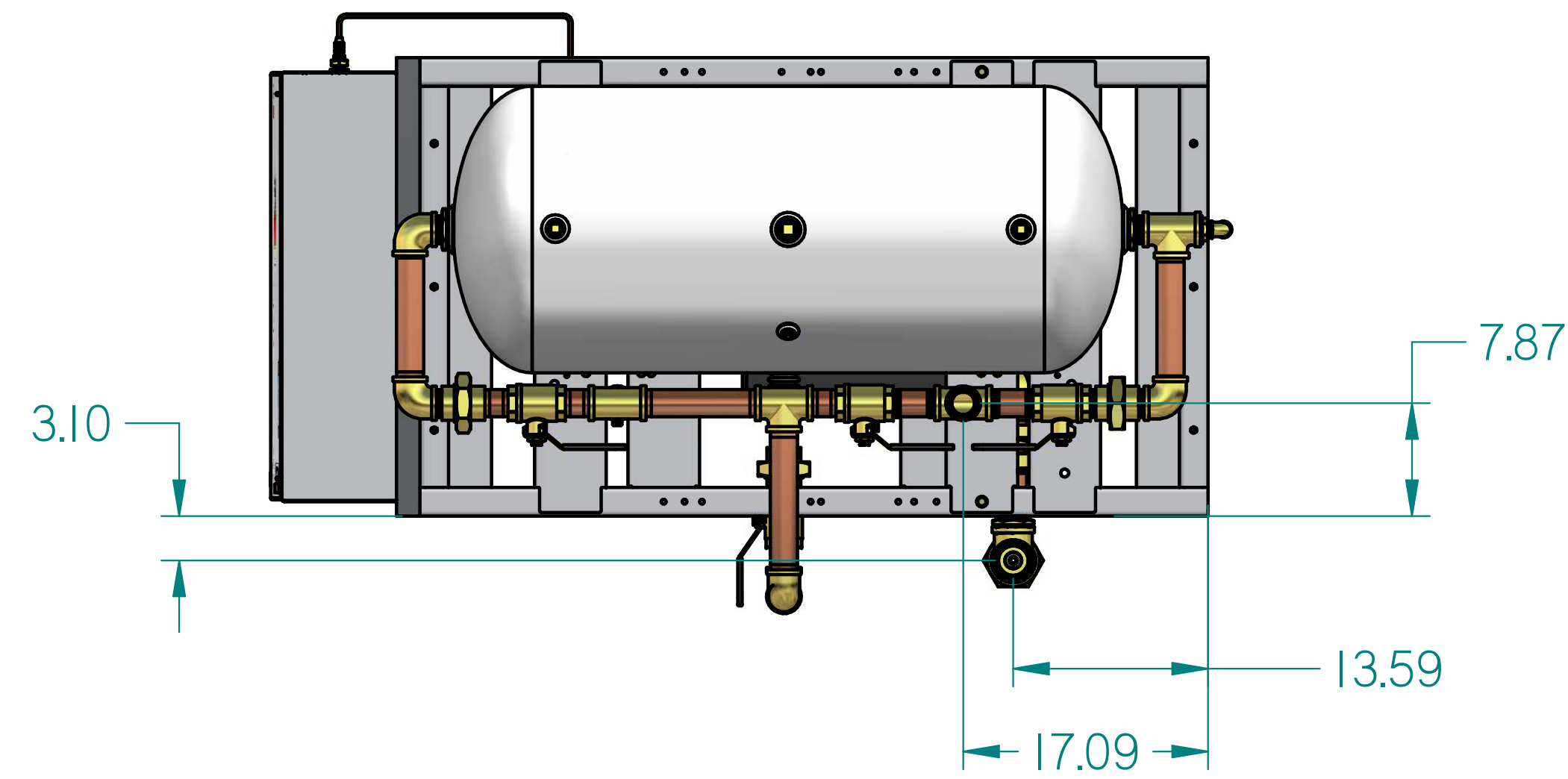


VPDT0402PI

5HP CLAW VAC 60GAL
DUPLEX

REVISION NOTES		
DESCRIPTION	ECN	PR/NOR
3D RELEASE	PXECXXXX	N/A



- NOTES:
- APPROXIMATE WEIGHT: 1047 lbrn
 - A MINIMUM OF 24" CLEARANCE IS RECOMMENDED AROUND THE ENTIRE UNIT. CLEARANCE FOR CONTROL PANEL SHALL BE IN ACCORDANCE WITH OSHA/NEC REQUIREMENTS.
 - SYSTEM DESIGNED IN COMPLIANCE WITH U.S. NFPA '99, LATEST EDITION.

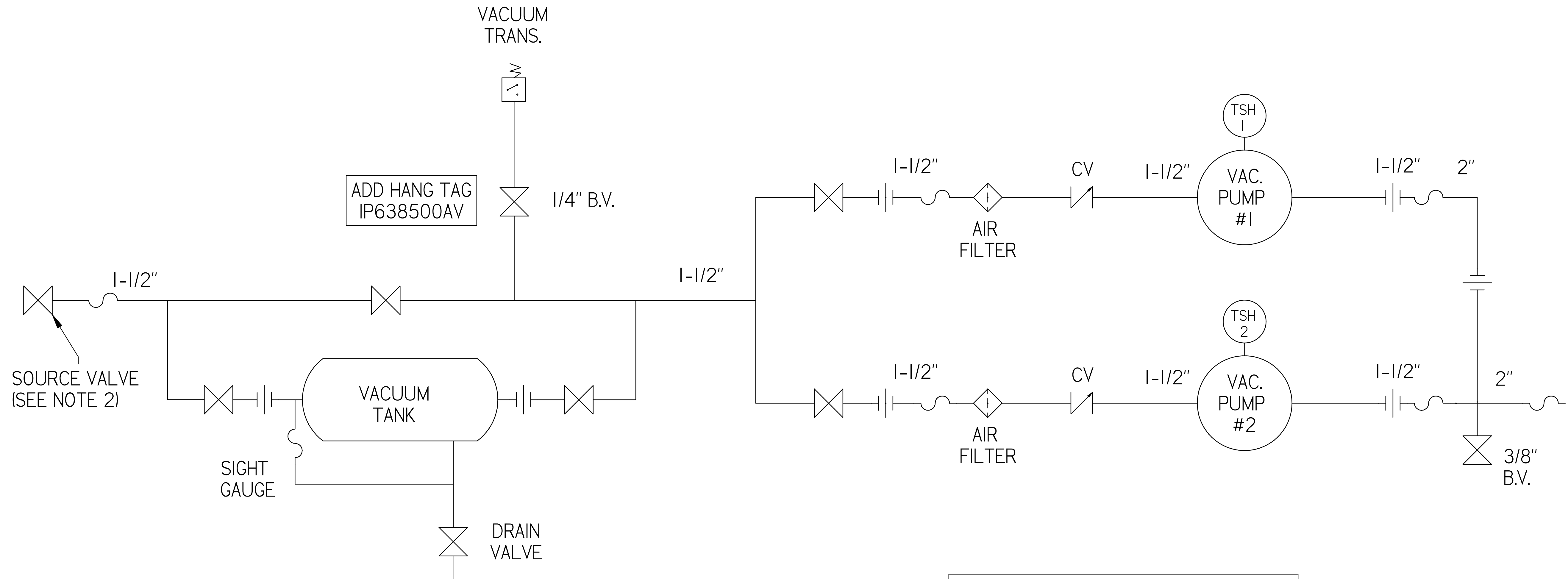
SYMBOL LEGEND		DRAWINGS TO CONFORM TO CURRENT REVISION OF THE FOLLOWING ANSI STANDARDS:	
TOLERANCES NOT SPECIFIED		#14.3 MULTI AND SECTIONAL VIEW DWGS	
DXXX ± .005		#14.5 DIMENSIONING AND TOLERANCING	
DXXX ± .005		DO NOT SCALE DRAWING FOR DIMENSIONS	
DXXX ± .005		SHEET 1 OF 2	
DXXX ± .005		SCALE 1:10	
CONFIDENTIAL DISCLOSURE		APPROVALS ON FILE IN PLM	
This drawing is the property of POWEREX of the SCOTT FETTER COMPANY and is subject to return on demand. Its contents are confidential and must not be copied or submitted to outside parties for use or examination.		TATA 02-04-2019	
ITEM ID		POWEREX	
MATERIAL		150 PRODUCTION DRIVE, HARRISON OH 45030	
---		888-768-7079	
DESCRIPTION		DRAWING NUMBER	
5HP CLAW VAC 60GAL DUPLEX		VPDT0402PI	
---		REVISION	
---		SIZE	
---		D	

POWEREX

VPDT0402PI

5HP CLAW VAC 60GAL
 DUPLEX
 SYSTEM FLOW DIAGRAM

REVISION NOTES		
DESCRIPTION	ECN	PR/NOR
3D RELEASE	PXECXXXX	N/A



NOTE:
 A 1/4 INCH VENT PLUG IS
 LOCATED IN THE FILTER HOUSING.

LEGEND

TSH 2	TEMP. SWITCH		VACUUM SWITCH
	AIR FILTER		CHECK VALVE
	BALL VALVE		FLEX LINE
			UNION

NOTES:
 1) TSH - TEMPERATURE SWITCH HIGH
 2) PER NFPA THE SYSTEM WILL REQUIRE A SOURCE VALVE (SUPPLIED BY OTHERS)



SYMBOL LEGEND		DRAWINGS TO CONFORM TO CURRENT REVISION OF THE FOLLOWING ANSI STANDARDS: #14.3 MULTI AND SECTIONAL VIEW DWGS #14.5 DIMENSIONING AND TOLERANCING	
TOLERANCES NOT SPECIFIED	SOLID EDGE DRAWING	DO NOT SCALE DRAWING FOR DIMENSIONS	
0.00X ± .005	INCH	SHEET 2 OF 2	SCALE 1:1
CONFIDENTIAL DISCLOSURE This drawing is the property of POWEREX of the SCOTT FETTER COMPANY and is subject to return on demand. Its contents are confidential and must not be copied or submitted to outside parties for use or examination.		AUTHOR	APPROVALS ON FILE IN PLM
ITEM ID	TATA	ORIGINATION DATE	02-04-2019
MATERIAL	 150 PRODUCTION DRIVE, HARRISON OH 45030 (938) 768-7079		
DESCRIPTION	DRAWING NUMBER	REVISION	SIZE
5HP CLAW VAC 60GAL DUPLEX	VPDT0402PI		D