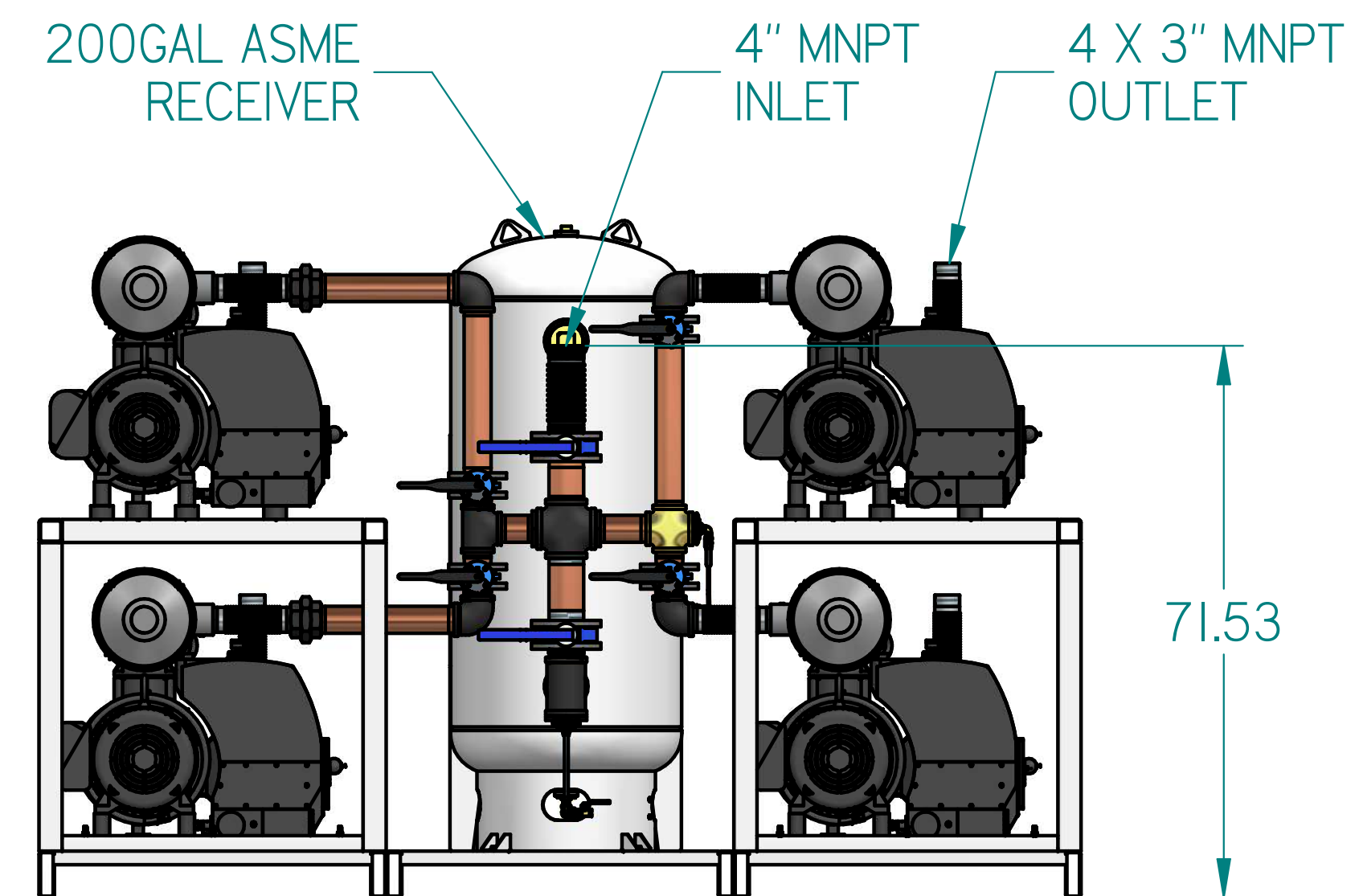
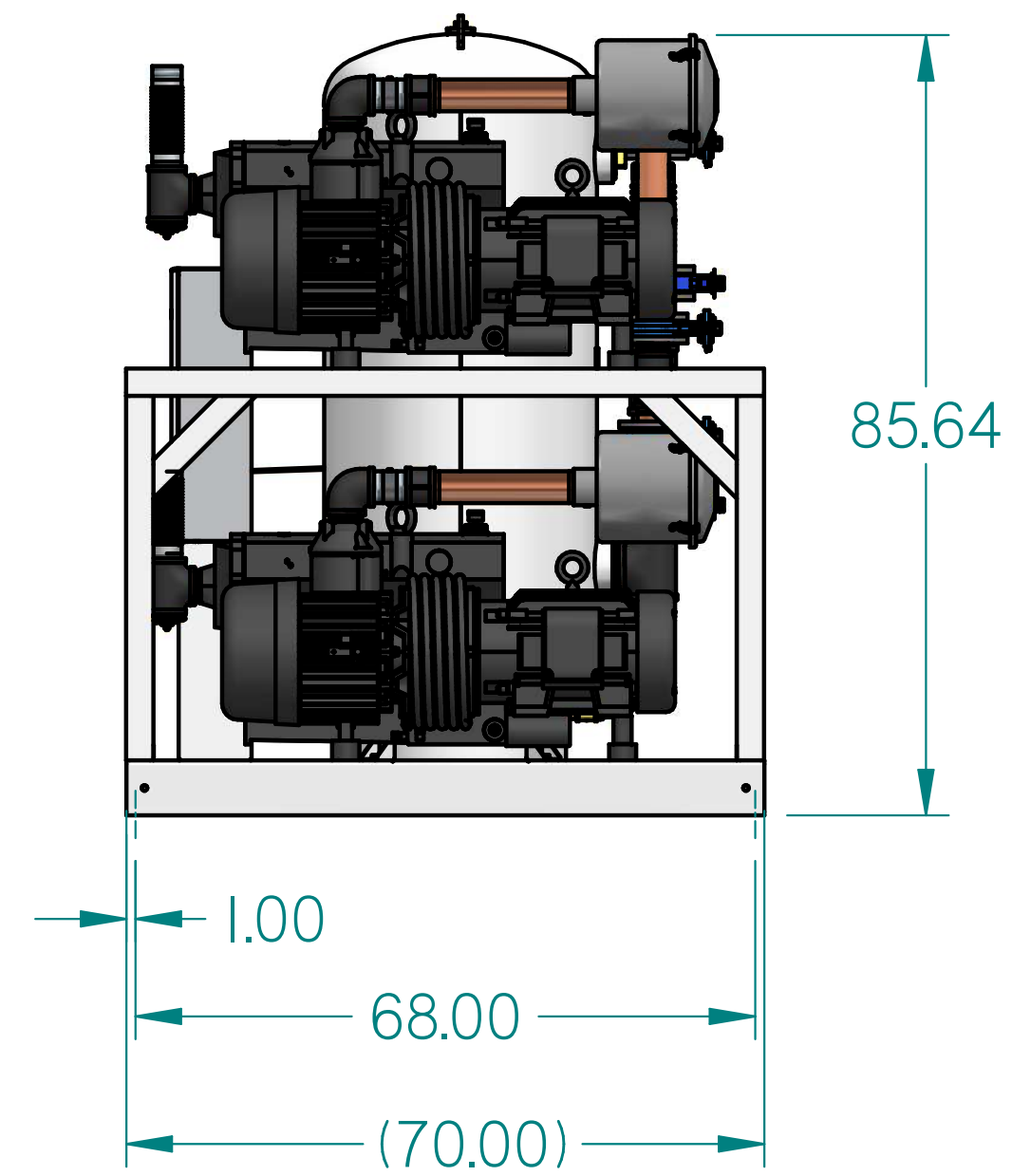
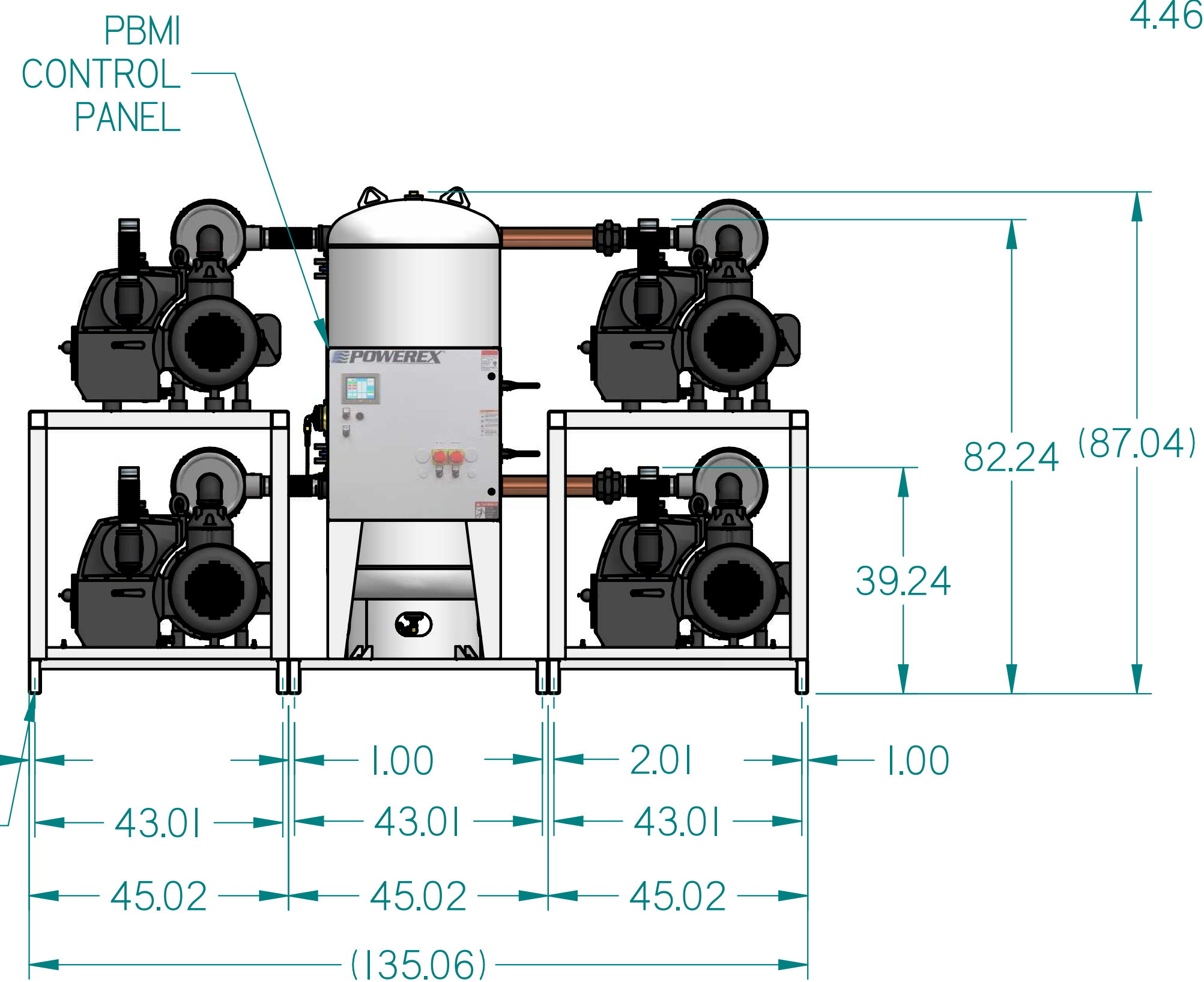
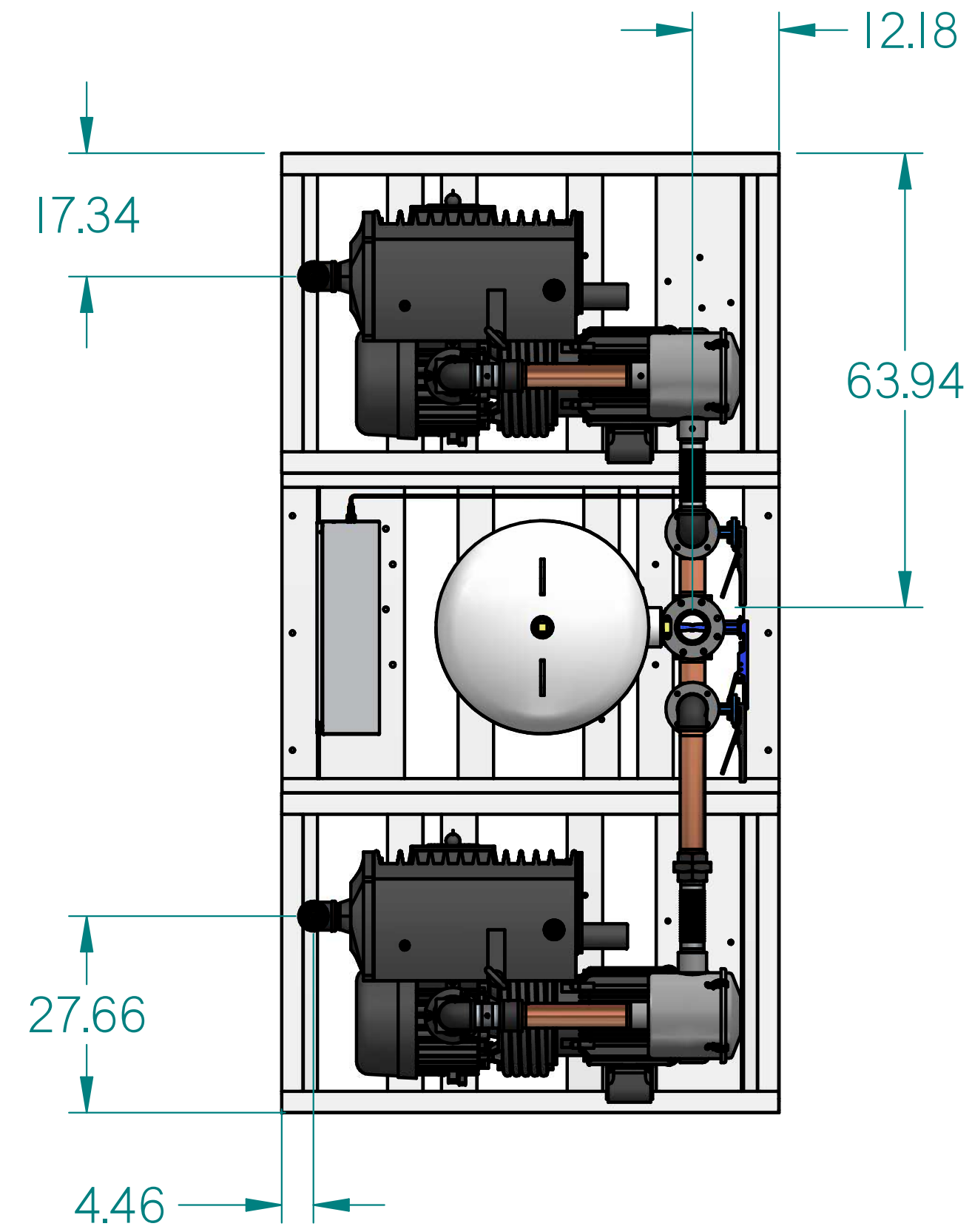


VPQ1505PI

15HP VACCUUM PACKAGE
200GAL QUADPLEX

REVISION NOTES		
DESCRIPTION	ECN	PR/NOR
3D RELEASE	PXEC0293	N/A



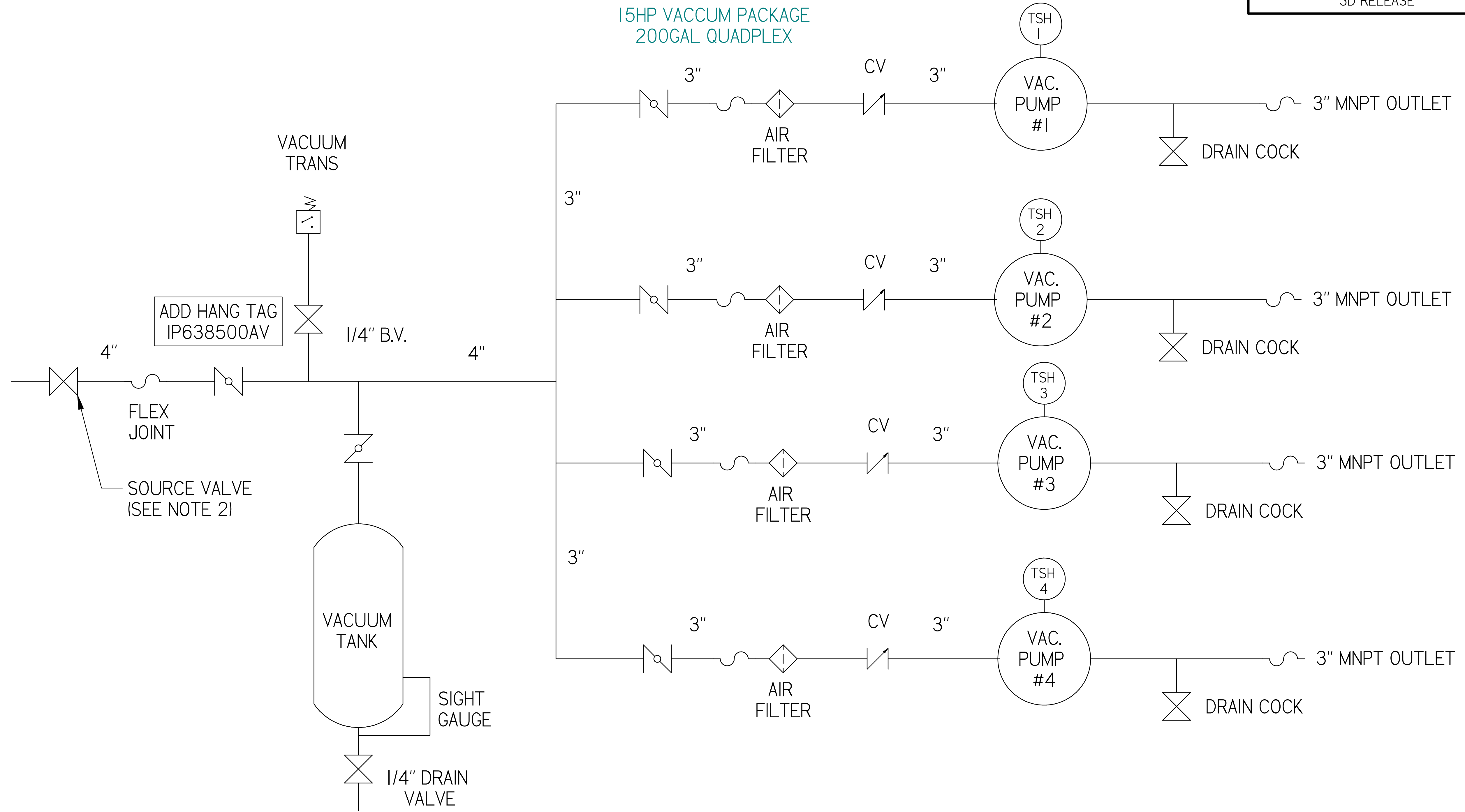
- NOTES:
- APPROXIMATE WEIGHT: 6822 lbm
 - A MINIMUM OF 24" CLEARANCE IS RECOMMENDED AROUND THE ENTIRE UNIT. CLEARANCE FOR CONTROL PANEL SHALL BE IN ACCORDANCE WITH OSHA/NEC REQUIREMENTS.
 - SYSTEM DESIGNED IN COMPLIANCE WITH U.S. NFPA '99, LATEST EDITION.

SYMBOL LEGEND		DRAWINGS TO CONFORM TO CURRENT REVISION OF THE FOLLOWING ANSI STANDARDS:	
TOLERANCES NOT SPECIFIED:		#14.3 MULTI AND SECTIONAL VIEW DIMS	
0.XXX ± .005		#14.5 DIMENSIONING AND TOLERANCING	
SOLID EDGE DRAWING		DO NOT SCALE DRAWING FOR DIMENSIONS	
INCH		SHEET 1 OF 2	SCALE 1:8
CONFIDENTIAL DISCLOSURE: This drawing is the property of POWEREX of the SCOTT FETTER COMPANY and is subject to return on demand. Its contents are confidential and must not be copied or submitted to outside parties for use or examination.		AUTHOR	APPROVALS ON FILE IN PLM
ITEM ID		TATA	12-03-2019
MATERIAL			
DESCRIPTION		DRAWING NUMBER	REVISION
15HP VACCUUM PACKAGE 200GAL QUADPLEX		VPQ1505PI	D

VPQ1505PI

15HP VACCUUM PACKAGE
200GAL QUADPLEX

REVISION NOTES		
DESCRIPTION	ECN	PR/NOR
3D RELEASE	PXEC0293	N/A



LEGEND

	TEMP. SWITCH		VACUUM SWITCH
	AIR FILTER		CHECK VALVE
	BALL VALVE		FLEX LINE
	BUTTERFLY VALVE		UNION

NOTE:
A 1/4 INCH VENT PLUG IS
LOCATED IN THE FILTER HOUSING

NOTES:
1) TSH - TEMPERATURE SWITCH HIGH
2) PER NFPA THE SYSTEM WILL REQUIRE A SOURCE VALVE (SUPPLIED BY OTHERS)



SYMBOL LEGEND		DRAWINGS TO CONFORM TO CURRENT REVISION OF THE FOLLOWING ANSI STANDARDS:	
TOLERANCES NOT SPECIFIED		#14.3 MULTI AND SECTIONAL VIEW DIMS	
0.00X ± .005		#14.5 DIMENSIONING AND TOLERANCING	
0.00X ± .005		INCH	
SOLID EDGE DRAWING		DO NOT SCALE DRAWING FOR DIMENSIONS	
SHEET 2 OF 2		SCALE	1:1
CONFIDENTIAL DISCLOSURE This drawing is the property of POWEREX of the SCOTT FETTER COMPANY and is subject to return on demand. Its contents are confidential and must not be copied or submitted to outside parties for use or examination.		AUTHOR	APPROVALS ON FILE IN PLM
ITEM ID		TATA	12-03-2019
MATERIAL			
DESCRIPTION 15HP VACCUUM PACKAGE 200GAL QUADPLEX		DRAWING NUMBER VPQ1505PI	REVISION SIZE D