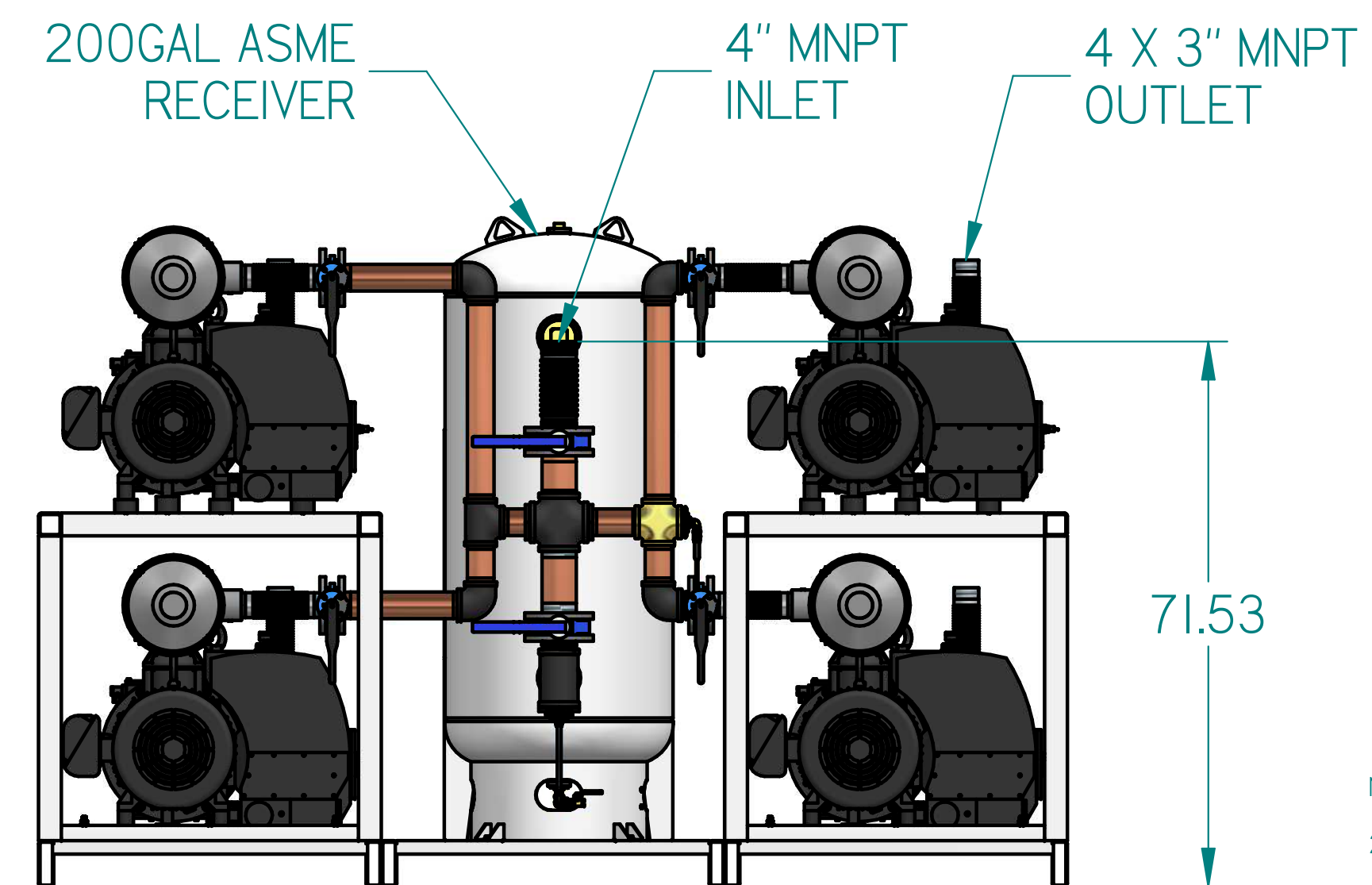
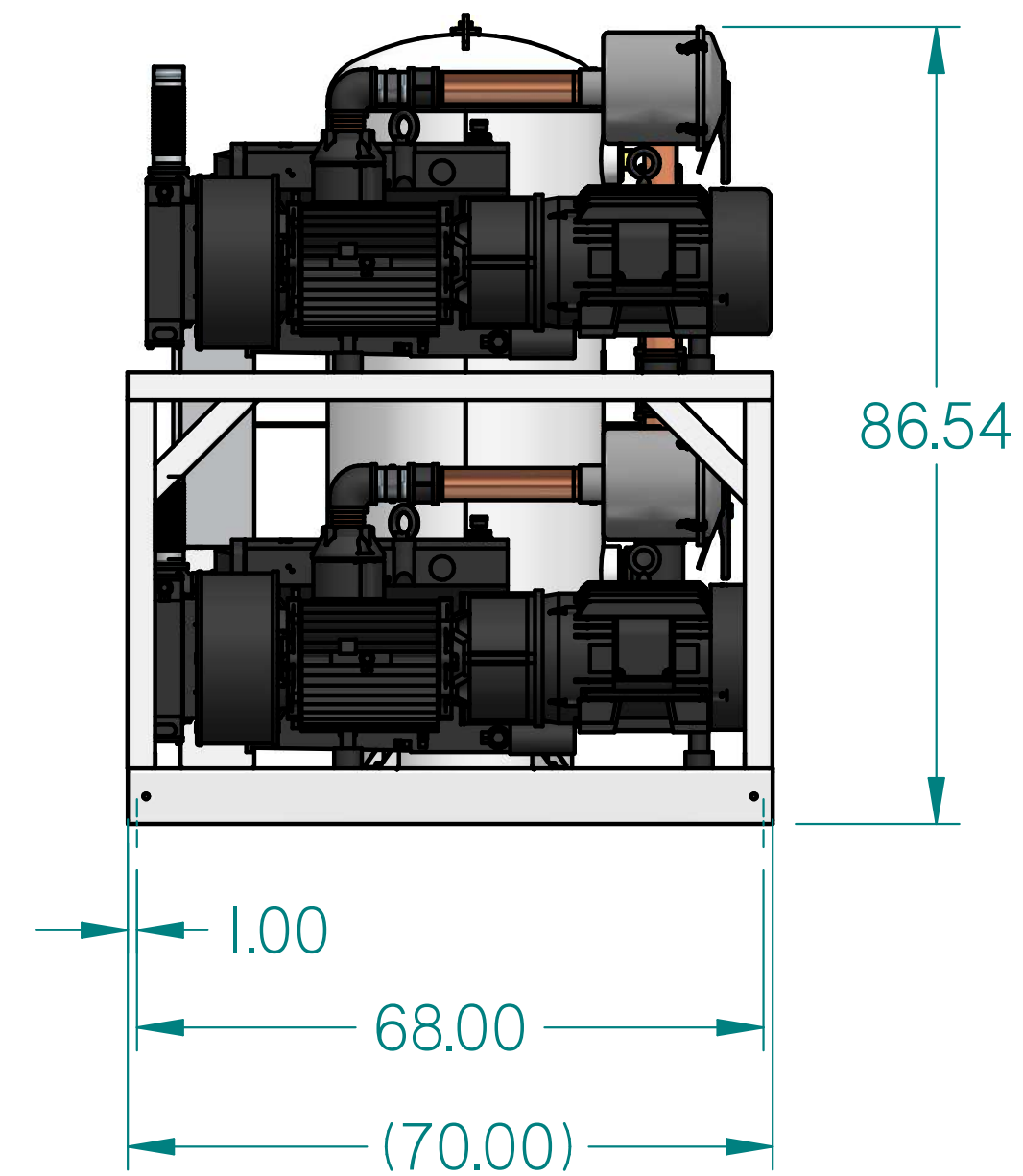
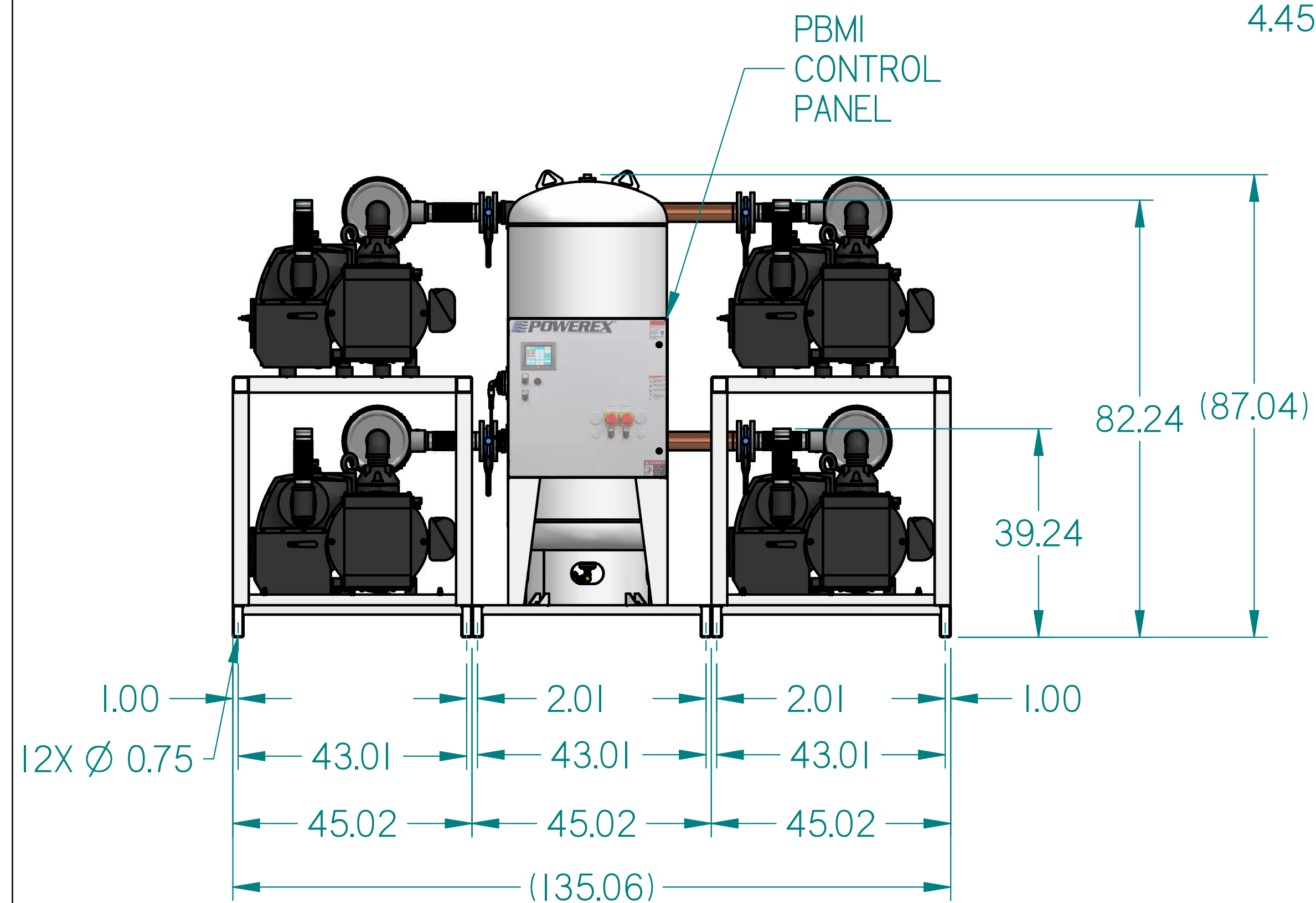
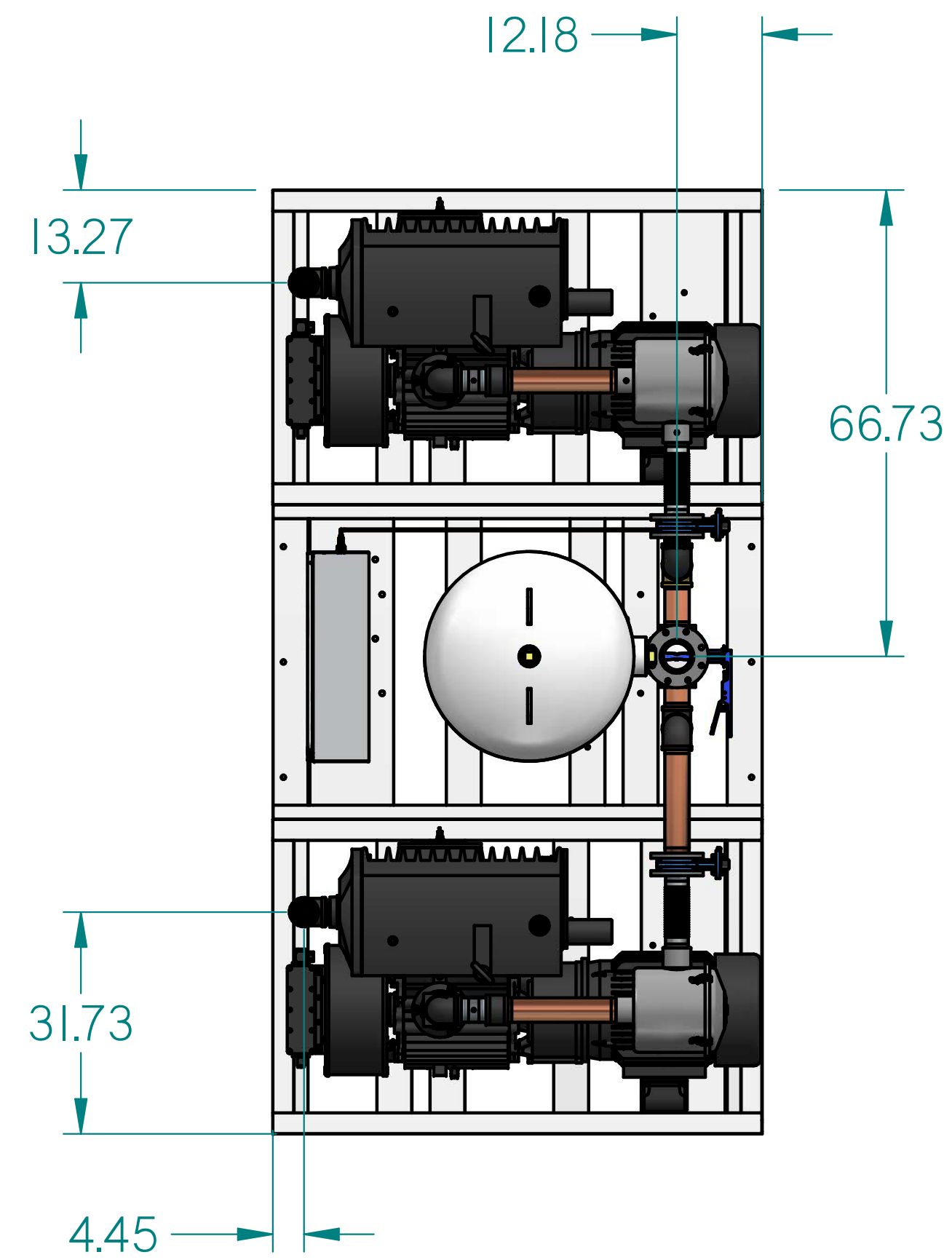


VPQ2505PI

25HP VACUUM QUADPLEX
200GAL PACKAGE

REVISION NOTES		
DESCRIPTION	ECN	PR/NOR
3D RELEASE	PXEC0293	N/A



- NOTES:
1. APPROXIMATE WEIGHT: 8294 lbm
 2. A MINIMUM OF 24" CLEARANCE IS RECOMMENDED AROUND THE ENTIRE UNIT. CLEARANCE FOR CONTROL PANEL SHALL BE IN ACCORDANCE WITH OSHA/NEC REQUIREMENTS.
 3. SYSTEM DESIGNED IN COMPLIANCE WITH U.S. NFPA '99, LATEST EDITION.

SYMBOL LEGEND		DRAWINGS TO CONFORM TO CURRENT REVISION OF THE FOLLOWING ANSI STANDARDS:	
		Y14.3 MULTI AND SECTIONAL VIEW DWGS	
		Y14.5 DIMENSIONING AND TOLERANCING	
TOLERANCES NOT SPECIFIED	SOLID EDGE DRAWING	DO NOT SCALE DRAWING FOR DIMENSIONS	
0.004 ± .001	INCH	SHEET 1 OF 2	SCALE 1:8
CONFIDENTIAL DISCLOSURE: This drawing is the property of POWEREX or the SCOTT FETTER COMPANY and is subject to return on demand. Its contents are confidential and must not be copied or submitted to outside parties for use or examination.		AUTHOR	APPROVALS ON FILE IN PLM
		TATA	13-03-2019
ITEM ID	POWEREX		
MATERIAL	ISO PRODUCTION DRIVE, HARRISON OH 45030		
		ISS: 7/24/2019	
DESCRIPTION	DRAWING NUMBER	REVISION	SIZE
25HP VACUUM QUADPLEX 200GAL PACKAGE	VPQ2505PI		D



