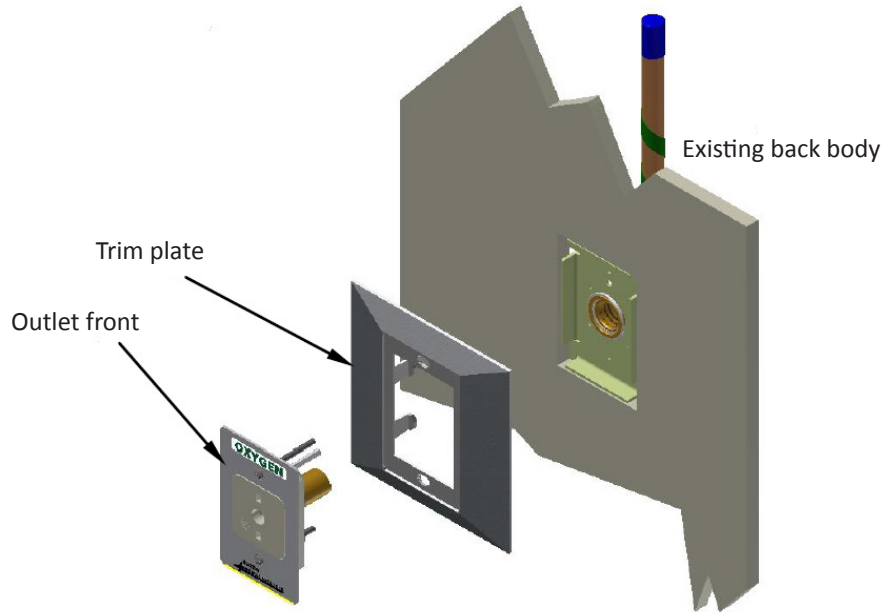
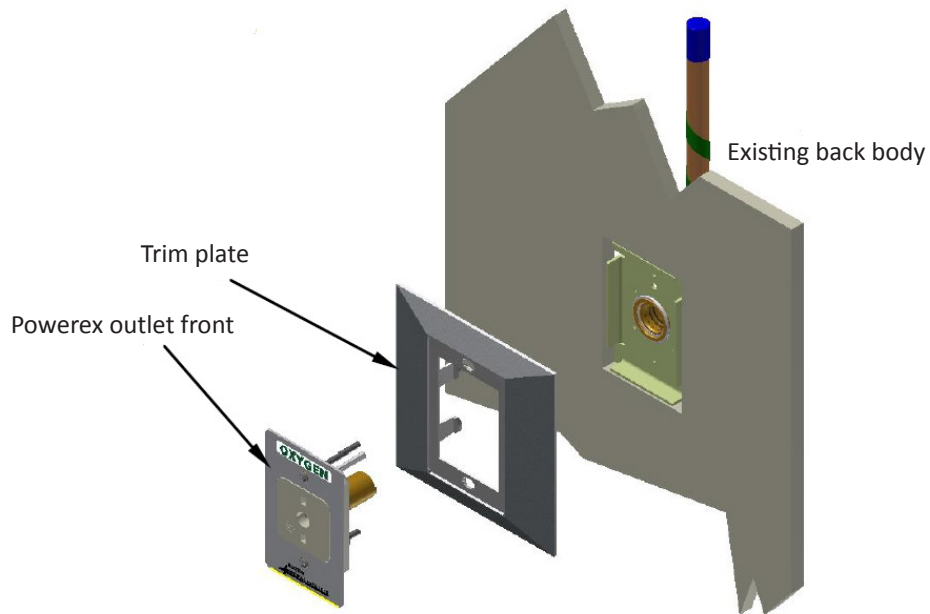


Converting Beacon "B", Amico, Ohio Medical, & Gentec Back Body Outlet

Competitors' Front Outlet Shown

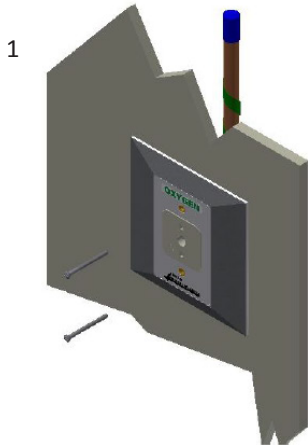


Competitors' Front Outlet to Powerex Conversion Shown

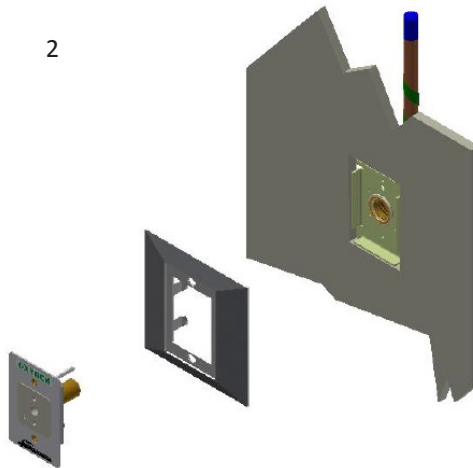


Competitor's Front Outlet Disassembly

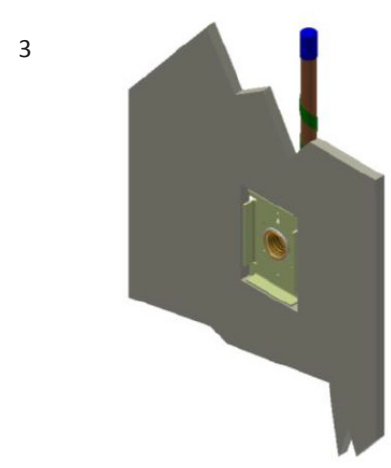
NOTE: It may be necessary to bleed the Vacuum from the outlet to change the front body on Vacuum and WAGD outlets.



Remove the mounting screw from the existing front body.

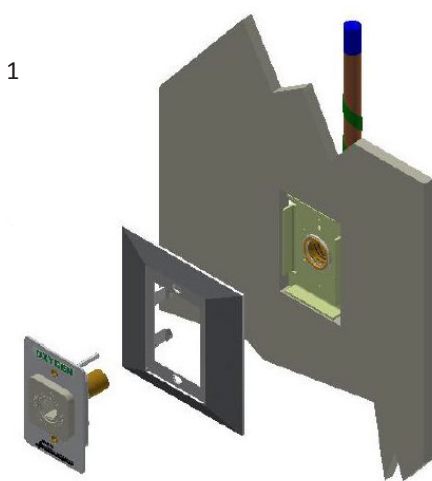


Remove front outlet assembly and trim plate.

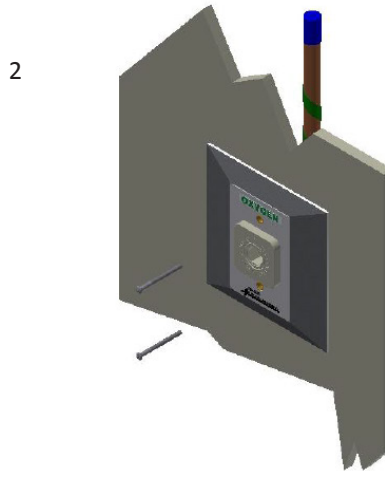


Clean any loose chips and debris from the back body outlet.

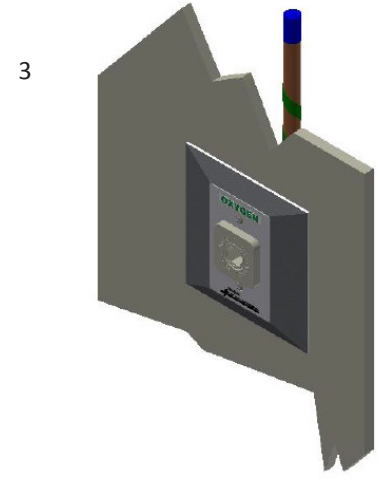
Powerex Conversion Outlet Installation Instructions



Place the original trim plate on the wall and install the front outlet conversion body into the back body.



Once the components are placed into the back body, install the new mounting screws.



Conversion completed. Powerex Front Body Assembly is now installed.