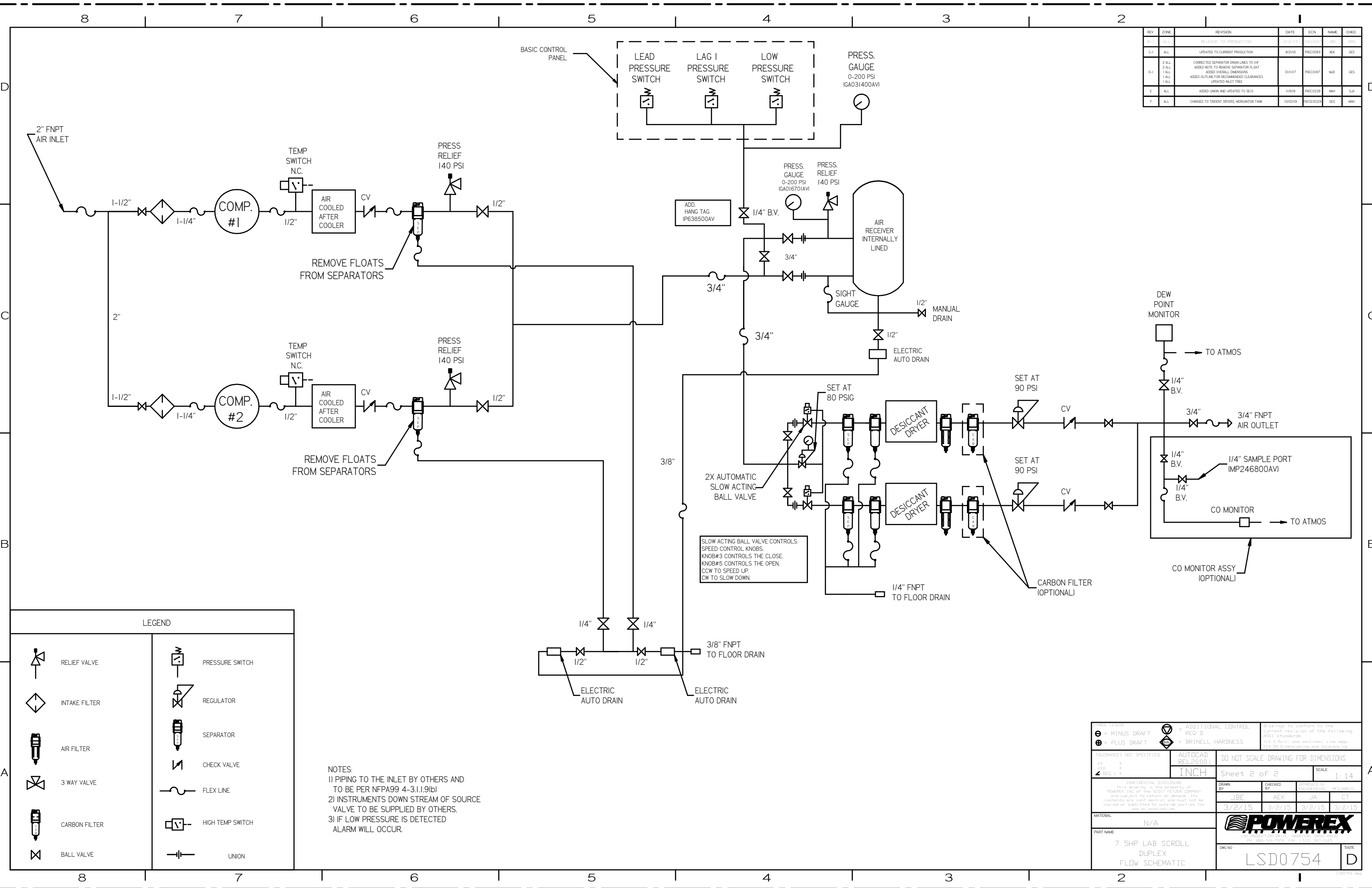




REV	ZONE	REVISION	DATE	ECN	NAME	CHKD
B-1	ALL	RELEASE TO PRODUCTION	3/2/15	PXC0015	JBE	SHS
C-1	ALL	UPDATED TO CURRENT PRODUCTION	8/2/15	PXC0019	AEK	GES
D-1	2 ALL 2 ALL 1 ALL 1 ALL	CORRECTED SEPARATOR DRAIN LINES TO 1/4" ADDED NOTE TO REMOVE SEPARATOR FLOAT ADDED OVERALL DIMENSIONS ADDED OUTLINE FOR RECOMMENDED CLEARANCES UPDATED INLET TREE	01/17	PXC0167	MJD	GES
E	ALL	ADDED UNION AND UPDATED TO SE10	11/5/18	PXC0229	MH	SJA
F	ALL	CHANGED TO TRIDENT DRYERS, MORANTON TANK	10/20/19	PXC03505	GES	MH



**LEGEND**

	RELIEF VALVE		PRESSURE SWITCH
	INTAKE FILTER		REGULATOR
	AIR FILTER		SEPARATOR
	3 WAY VALVE		CHECK VALVE
	CARBON FILTER		FLEX LINE
	BALL VALVE		HIGH TEMP SWITCH
			UNION

**POWEREX**

7.5HP LAB SCROLL DUPLEX FLOW SCHEMATIC

Sheet 2 of 2

SCALE: 1:14

DATE: 3/2/15

DESIGNED BY: JBE

CHECKED BY: AEK

APPROVED BY: JA

DATE: 3/2/15

DATE: 3/2/15

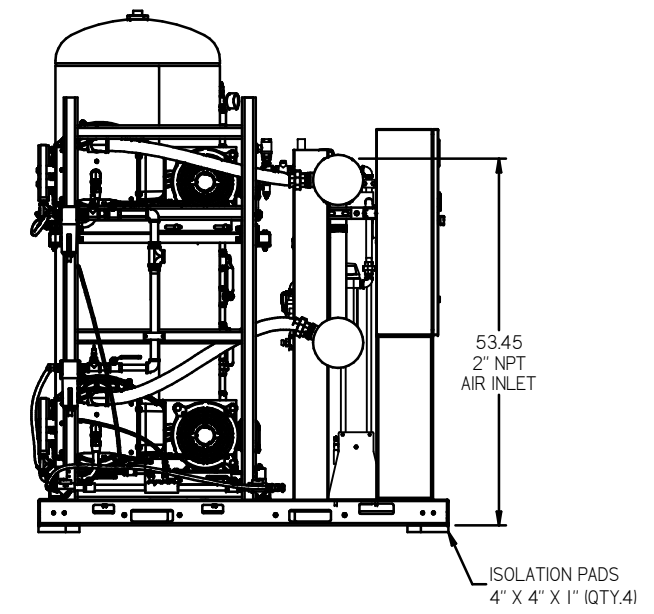
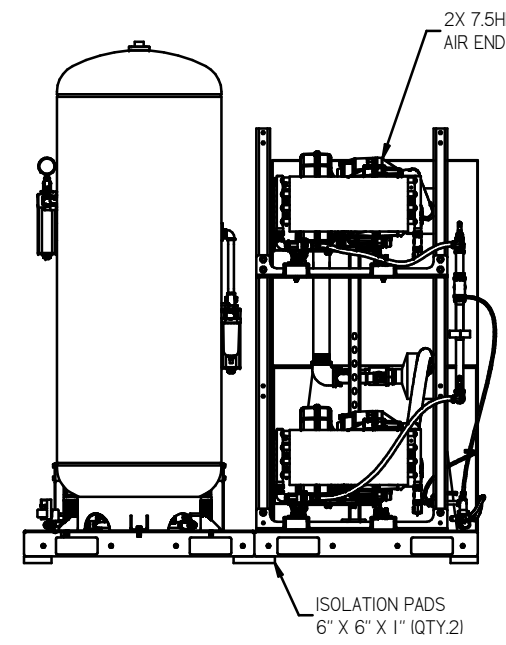
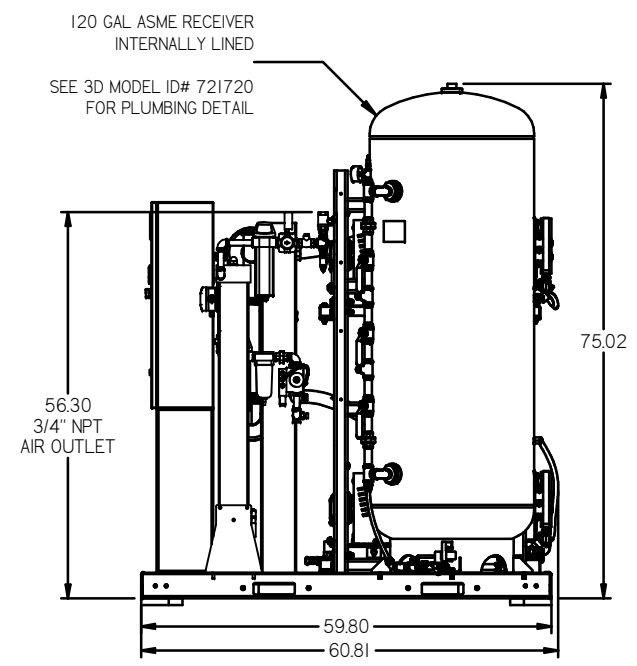
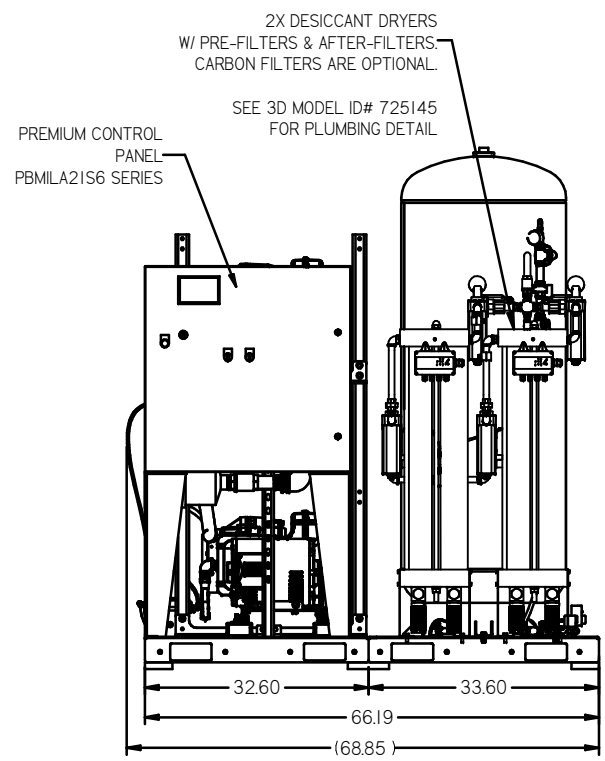
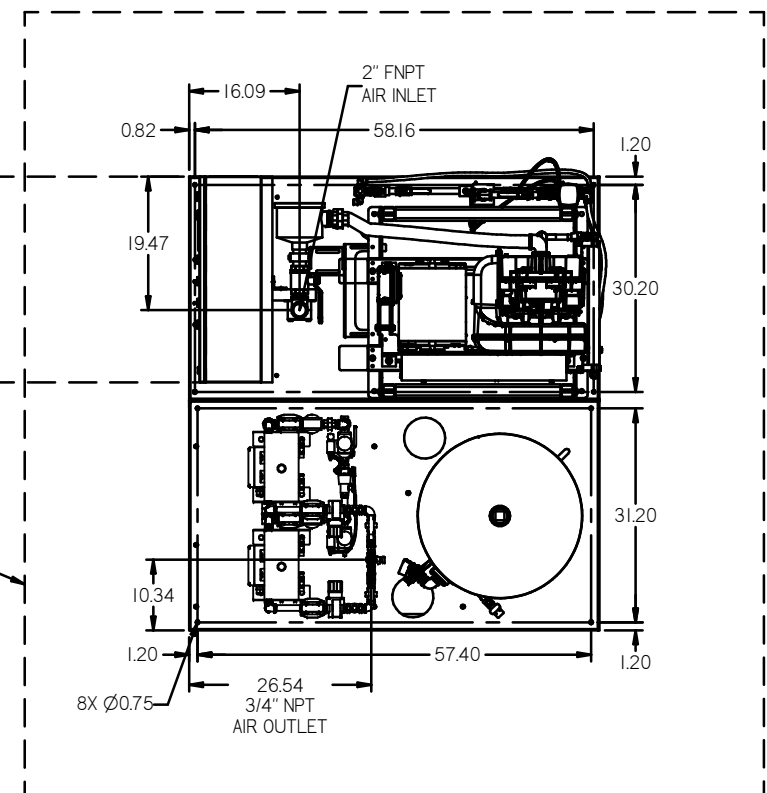
DATE: 3/2/15

DATE: 3/2/15

DWG NO: LSD0754

SIZE: D

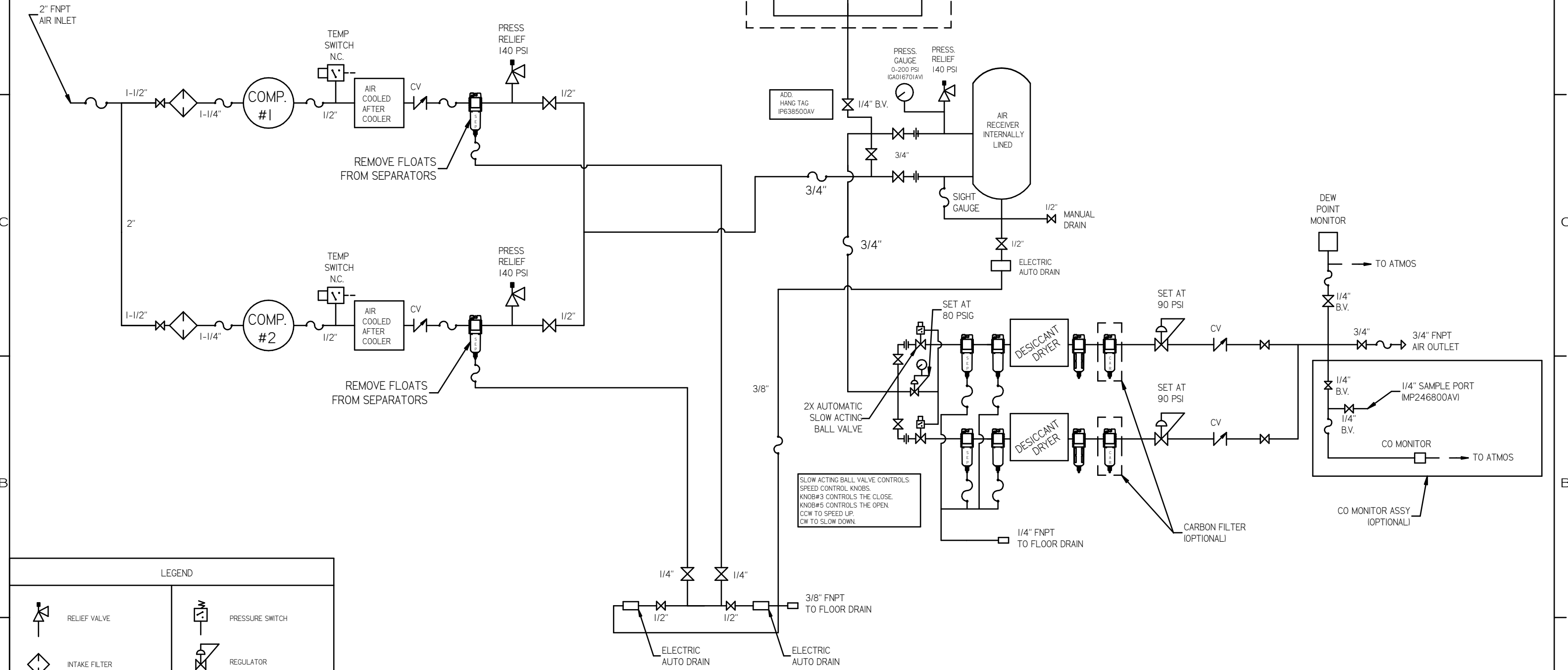
REV	ZONE	REVISION	DATE	ECN	NAME	QWD
B-1	ALL	RELEASE TO PRODUCTION	3/2/15	PREC003	AEK	GES
C-1	ALL	UPDATED TO CURRENT PRODUCTION	8/2/15	PREC009	AEK	GES
D-1	2 ALL	CORRECTED SEPARATOR DRAIN LINES TO 0"PT				
	2 ALL	ADDED NOTE TO REMOVE SEPARATOR FLOAT				
	1 ALL	ADDED OVERALL DIMENSIONS	01/11/17	PREC0167	MJD	GES
	1 ALL	ADDED OUTLINE FOR RECOMMENDED CLEARANCES				
	1 ALL	UPDATED INLET TREE				
E	ALL	ADDED UNION AND UPDATED TO 3/4" NPT	1/5/18	PREC0229	MMH	SJA
F	ALL	CHANGED TO TRENTRY DRIVERS, MORGANTON TANK	10/2/19	PREC03019	GES	MMH



NOTE: SYSTEM DESIGNED IN COMPLIANCE WITH US NFPA'99, LATEST EDITION.

TOLERANCES NOT SPECIFIED XX ± XXX ± 4 DEC. 1 ±	AUTOCAD REL2000 INCH	DO NOT SCALE DRAWING FOR DIMENSIONS Sheet 1 of 2 SCALE 1:14	Drawings to conform to the current revision of the following ANSI standards: 314.3 Multi and sectional view degn. 14.99 Dimensioning and tolerancing
CONFIDENTIAL DISCLOSURE This drawing is the property of POWEREX, INC. of the SCOTT FETZER COMPANY and subject to return on demand. Its contents are confidential and must not be copied or submitted to outside parties for use or examination.	DRAWN BY: JBE CHECKED BY: AEK 3/2/15	APPROVED BY: JA CT 3/2/15	APPROVED BY: [Signature] 3/2/15
MATERIAL: N/A	PART NAME: DUPLEX LAB SCROLL 7.5HP, 120GAL. BASEMOUNT DUPLEX DESICCANT		DWG NO: LSD0754 SIZE: D

REV	ZONE	REVISION	DATE	ECN	NAME	CHKD
B-1	ALL	RELEASE TO PRODUCTION	2/2/15	PREC003	AEK	GES
C-1	ALL	UPDATED TO CURRENT PRODUCTION	8/2/15	PREC003	AEK	GES
D-1	1 ALL	CORRECTED SEPARATOR DRAIN LINES TO 1/4"				
	2 ALL	ADDED NOTE TO REMOVE SEPARATOR FLOAT	01/18/17	PREC017	MD	GES
	1 ALL	ADDED OUTLINE FOR RECOMMENDED CLEARANCES				
	1 ALL	UPDATED INLET TREE				
E	ALL	ADDED UNION AND UPDATED TO SEIO	1/9/18	PREC029	MMH	SA
F	ALL	CHANGED TO TRIDENT DRYERS, MORGANTON TANK	10/20/19	PREC03029	GES	MMH



**LEGEND**

	RELIEF VALVE		PRESSURE SWITCH
	INTAKE FILTER		REGULATOR
	AIR FILTER		SEPARATOR
	3 WAY VALVE		CHECK VALVE
	CARBON FILTER		FLEX LINE
	BALL VALVE		HIGH TEMP SWITCH
			UNION

**NOTES:**  
 1) PIPING TO THE INLET BY OTHERS AND TO BE PER NFPA99 4-3.1.1.9(b)  
 2) INSTRUMENTS DOWN STREAM OF SOURCE VALVE TO BE SUPPLIED BY OTHERS.  
 3) IF LOW PRESSURE IS DETECTED ALARM WILL OCCUR

<p>SYMBOL LEGEND</p> <p>⊖ = MINUS DRAFT</p> <p>⊕ = PLUS DRAFT</p> <p>4 (REC.) =</p>	<p>⊖ = ADDITIONAL CONTROL REQ'D</p> <p>⊕ = BRINELL HARDNESS</p>	<p>Drawings to conform to the current revision of the following standards:</p> <p>ASME Y14.3 Multi and sectional view dsgs.</p> <p>ASME Y14.9 Dimensioning and tolerancing</p>
<p>TOLERANCES NOT SPECIFIED</p> <p>XX ±</p> <p>XXX ±</p> <p>4 (REC.) ±</p>	<p>AUTOCAD REL2000</p> <p>INCH</p>	<p>DO NOT SCALE DRAWING FOR DIMENSIONS</p> <p>Sheet 2 of 2</p> <p>SCALE 1:14</p>
<p>CONFIDENTIAL DISCLOSURE</p> <p>This drawing is the property of POWEREX, INC. or the SCOTT FETZER COMPANY and subject to return on demand. Its contents are confidential and must not be copied or submitted to outside parties for use or examination.</p>	<p>DRAWN BY: JBE</p> <p>CHECKED BY: AEK</p> <p>APPROVED BY: JA</p> <p>DATE: 3/2/15</p>	<p>DATE: 3/2/15</p> <p>DATE: 3/2/15</p> <p>DATE: 3/2/15</p>
<p>MATERIAL: N/A</p>	<p><b>POWEREX</b></p> <p>7.5HP LAB SCROLL DUPLEX FLOW SCHEMATIC</p>	
<p>PART NAME: 7.5HP LAB SCROLL DUPLEX FLOW SCHEMATIC</p>	<p>DWG NO: LSD0754</p>	<p>SIZE: D</p>