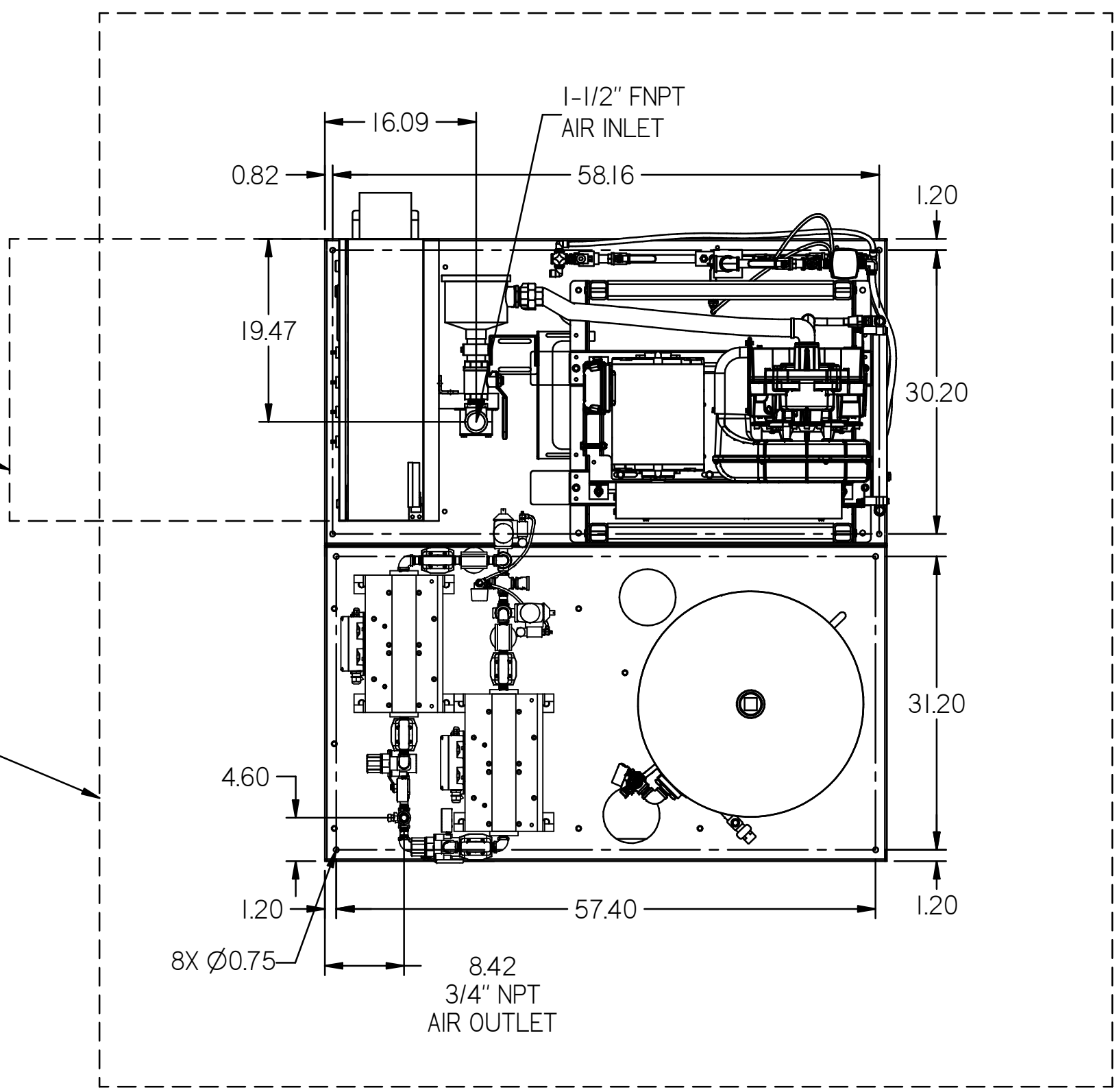
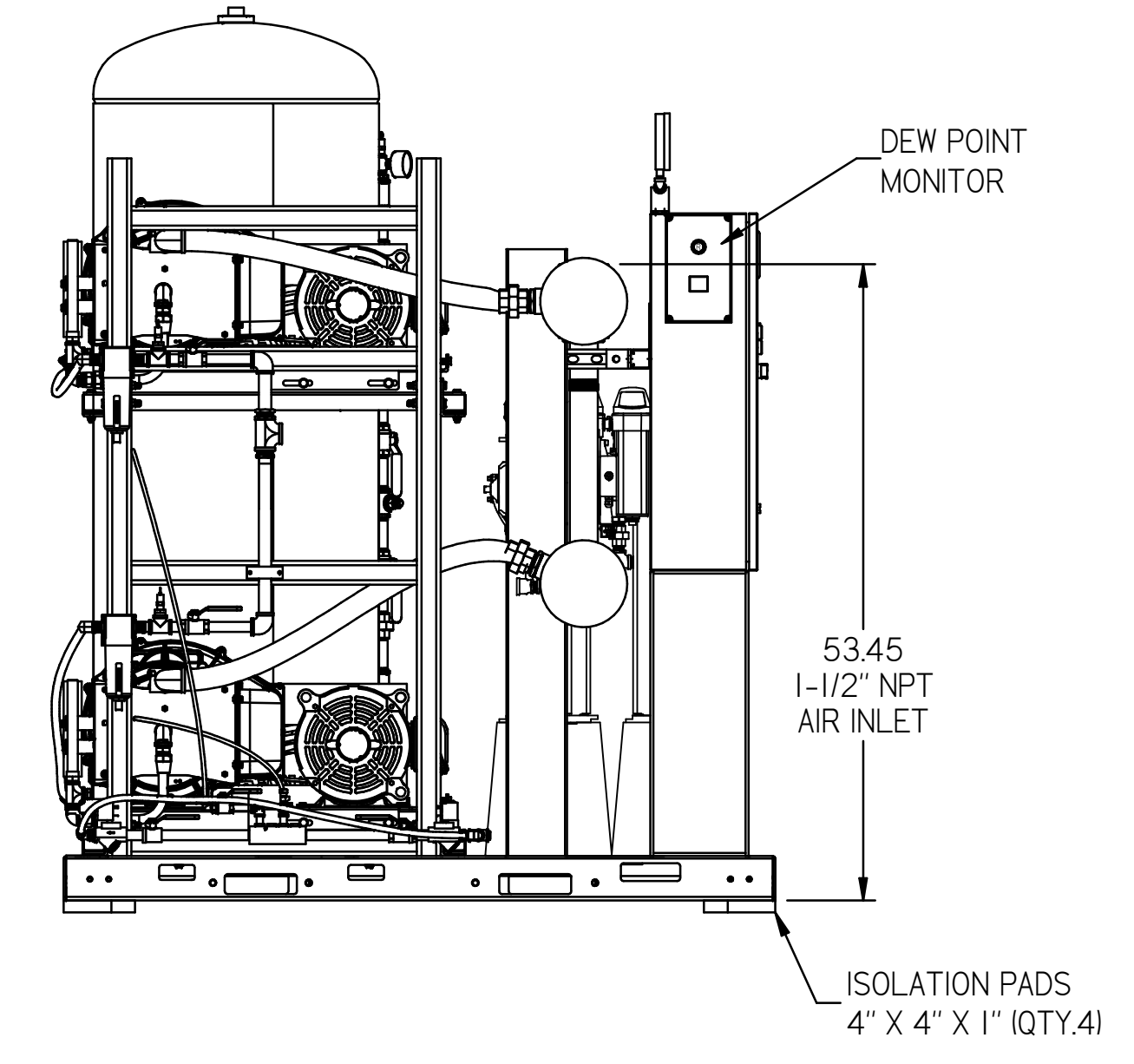
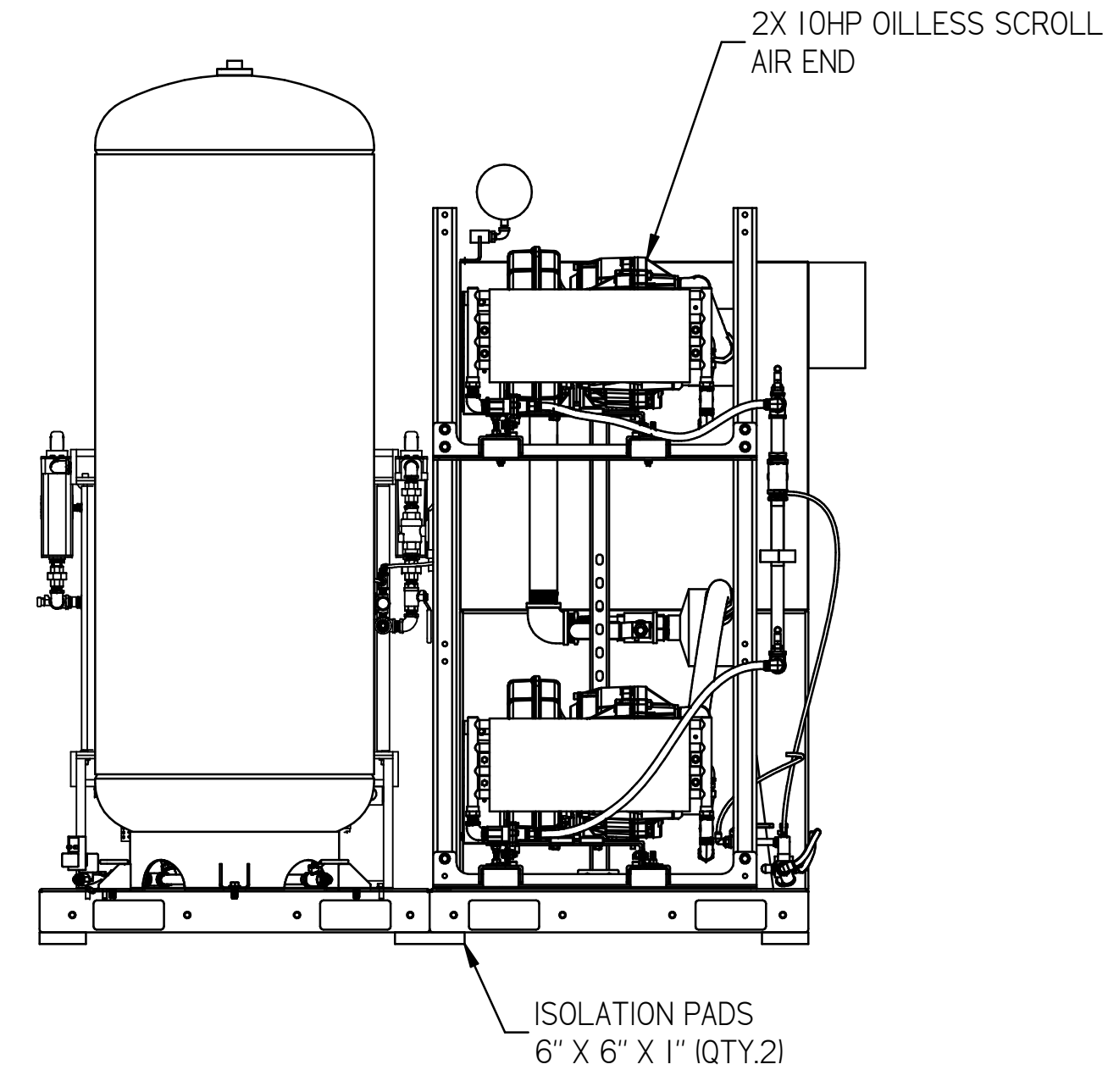
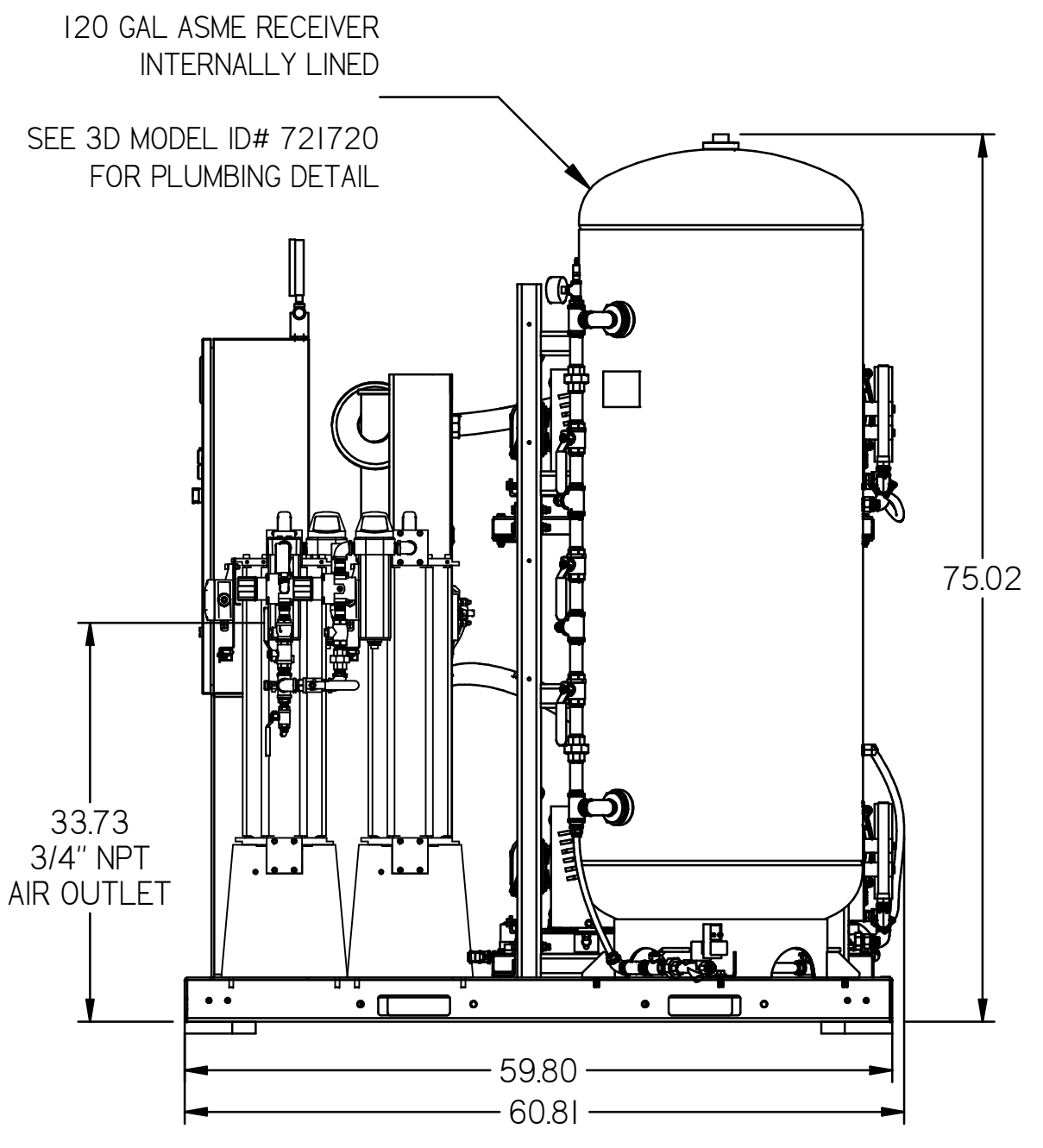
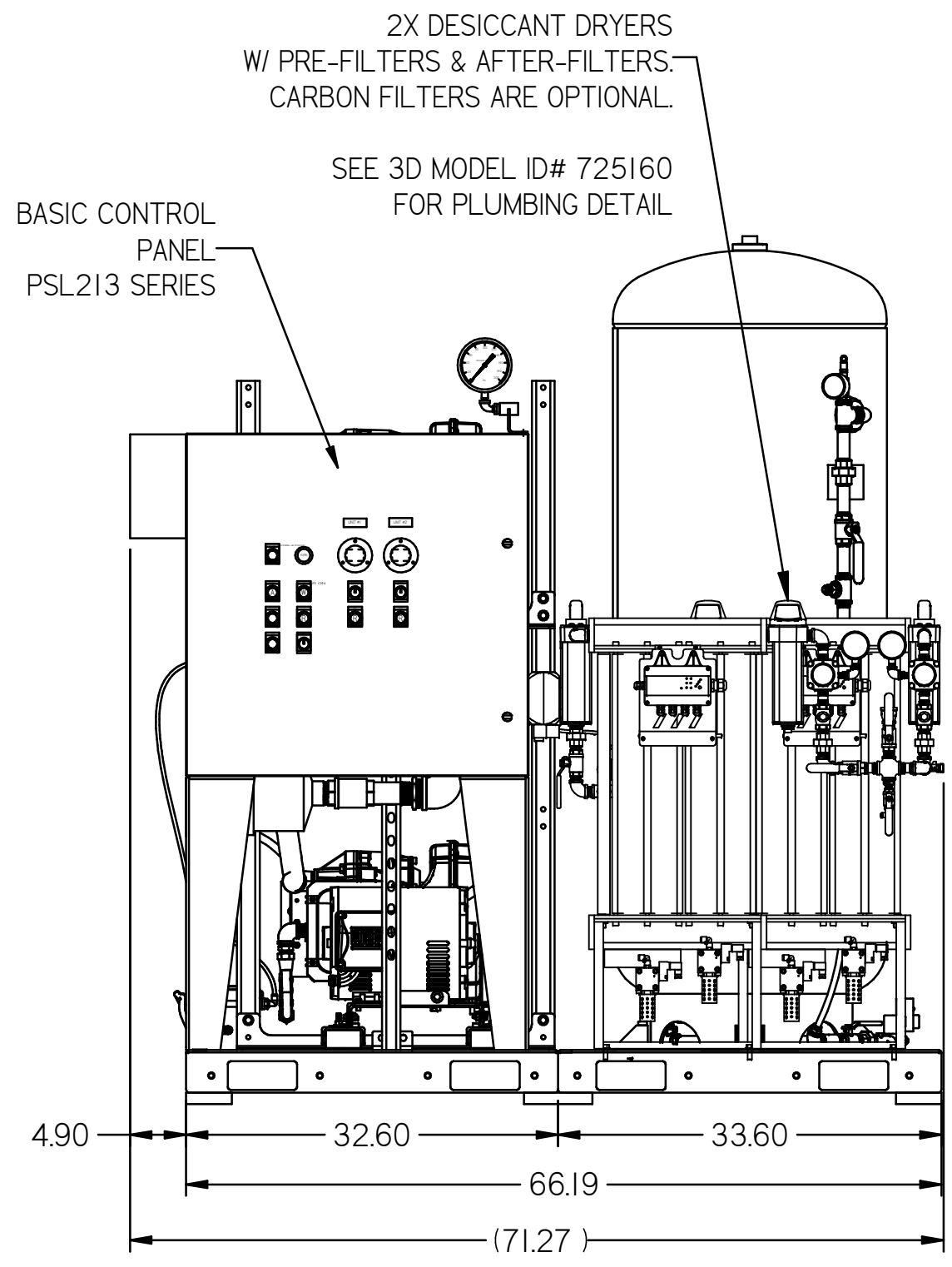


REV	ZONE	REVISION	DATE	ECN	NAME	CHKD
B-1	ALL	RELEASE TO PRODUCTION	10/28/14	PREC056	AEK	GES
C-1	ALL	WAVE 1 REDESIGN-SMALLER FOOTPRINT	02/02/15	PREC057	JBE	AEK
D-1	2 ALL 2 ALL 1 ALL 1 ALL 1 ALL	CORRECTED SEPARATOR DRAIN LINES TO 1/4" ADDED NOTE TO REMOVE SEPARATOR FLOAT CORRECTED VIEW POSITIONING ADDED OVERALL DIMENSIONS ADDED OUTLINE FOR RECOMMENDED CLEARANCES UPDATED INLET TREE	01/04/16	PREC0167	MJD	GES
E	2 ALL	ADDED UNION BETWEEN NO-LOSS AND BALL VALVE ON FLOW	4/25/19	PREC0273	RLH	GES
F	ALL	CHANGED TO MORGANTON TANK, TRIDENT DRYERS	10/04/19	PREC030009	GES	MMH



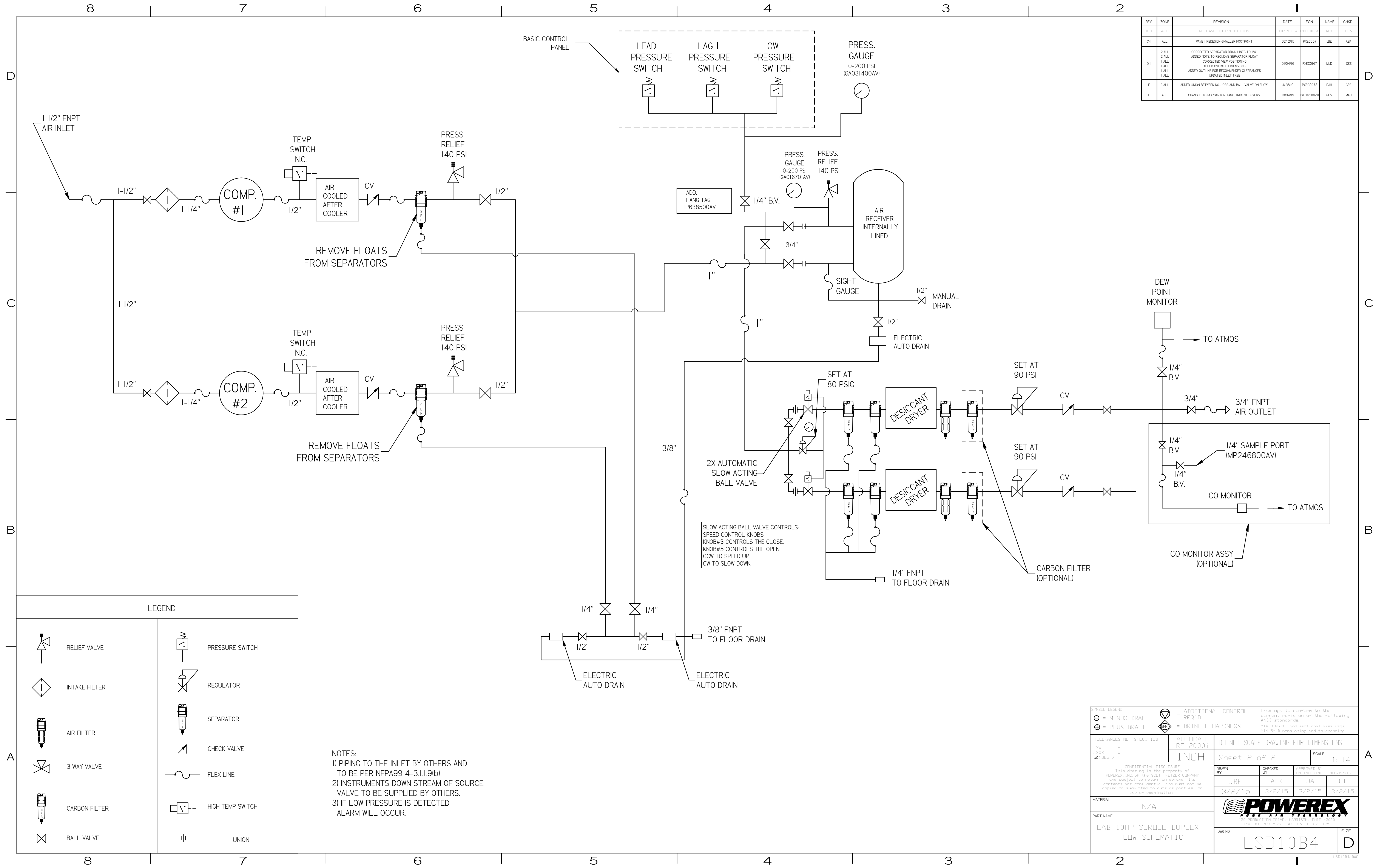
MINIMUM RECOMMENDED ELECTRICAL PANEL CLEARANCE PER OSHA/NEC REQUIREMENTS

24" MINIMUM RECOMMENDED MAINTENANCE CLEARANCE



NOTE: SYSTEM DESIGNED IN COMPLIANCE WITH US NFPA'99, LATEST EDITION.

PREL LEGEND ⊖ = MINUS DRAFT ⊕ = PLUS DRAFT ⊕ = BRINELL HARDNESS	= ADDITIONAL CONTROL REQ'D = BRINELL HARDNESS	Drawings to conform to the current revision of the following ANSI standards: 114 3rd Multi and sectional view degn 114 3rd Dimensioning and tolerancing
TOLERANCES NOT SPECIFIED .XX ± .XXX ± .X (NEG) ±	AUTOCAD REL2000.1 INCH	DO NOT SCALE DRAWING FOR DIMENSIONS Sheet 1 of 2 SCALE 1:14
THIS DRAWING IS THE PROPERTY OF POWEREX, INC. OF THE SCOTT FITZGER COMPANY and subject to return or demand. Its contents are confidential and must not be copied or submitted to outside parties for use or examination.	DRAWN BY JBE 3/2/15	CHECKED BY AEK 3/2/15
MATERIAL N/A	APPROVED BY JA 3/2/15	MFG/MKTG CT 3/2/15
PART NAME DUPLEX OILLESS SCROLL LAB 10HP, 120GAL, DUPLEX DESICCANT		
DWG NO LSD10B4	SIZE D	



REV	ZONE	REVISION	DATE	ECN	NAME	CHKD
B-1	ALL	RELEASE TO PRODUCTION	10/28/14	PKC0066	AEK	GES
C-1	ALL	WAVE REDESIGN-SMALLER FOOTPRINT	02/20/15	PKC0057	JBE	AEK
D-1	2 ALL	CORRECTED SEPARATOR DRAIN LINES TO 1/4"				
	2 ALL	ADDED NOTE TO REMOVE SEPARATOR FLOAT				
	1 ALL	CORRECTED VIEW POSITIONING	01/04/16	PKC0167	MJD	GES
	1 ALL	ADDED OVERALL DIMENSIONS				
	1 ALL	ADDED OUTLINE FOR RECOMMENDED CLEARANCES				
	1 ALL	UPDATED INLET TREE				
E	2 ALL	ADDED UNION BETWEEN NO-LOSS AND BALL VALVE ON FLOW	4/25/19	PKC0273	RJM	GES
F	ALL	CHANGED TO MORGANTON TANK, TRENDT DRYERS	10/04/19	PKC02029	GES	MAH

LEGEND	
	RELIEF VALVE
	INTAKE FILTER
	AIR FILTER
	3 WAY VALVE
	CARBON FILTER
	BALL VALVE
	PRESSURE SWITCH
	REGULATOR
	SEPARATOR
	CHECK VALVE
	FLEX LINE
	HIGH TEMP SWITCH
	UNION

NOTES:
 1) PIPING TO THE INLET BY OTHERS AND TO BE PER NFPA99 4-3.1.1.9(b)
 2) INSTRUMENTS DOWN STREAM OF SOURCE VALVE TO BE SUPPLIED BY OTHERS.
 3) IF LOW PRESSURE IS DETECTED ALARM WILL OCCUR.

SYMBOL LEGEND ⊖ = MINUS DRAFT ⊕ = PLUS DRAFT ⊕ = ADDITIONAL CONTROL REQ'D HRC = BRINELL HARDNESS		Drawings to conform to the current revision of the following ANSI standards: Y14.3 Multi and sectional view dwg Y14.9 Dimensioning and tolerancing
TOLERANCES NOT SPECIFIED XX = .005 XXX = .010 Z (REG.) = .015	AUTOCAD REL2000 I INCH	DO NOT SCALE DRAWING FOR DIMENSIONS Sheet 2 of 2 SCALE 1:14
CONFIDENTIAL DISCLOSURE This drawing is the property of POWEREX, INC. of the SCOTT FELTZER COMPANY and subject to return on demand. Its contents are confidential and must not be copied or submitted to outside parties for use or reproduction.		
MATERIAL N/A PART NAME LAB 10HP SCROLL DUPLEX FLOW SCHEMATIC DWG NO LSD10B4	DRWN BY JBE 3/2/15	CHECKED BY AEK 3/2/15
	APPROVED BY JA 3/2/15	CT 3/2/15
	 POWEREX, INC. 10000 W. 10TH AVE. SUITE 200 FT. COLLINS, CO 80525 TEL: 988-769-7279 FAX: (513) 367-3125	

8 7 6 5 4 3 2 1

D

C

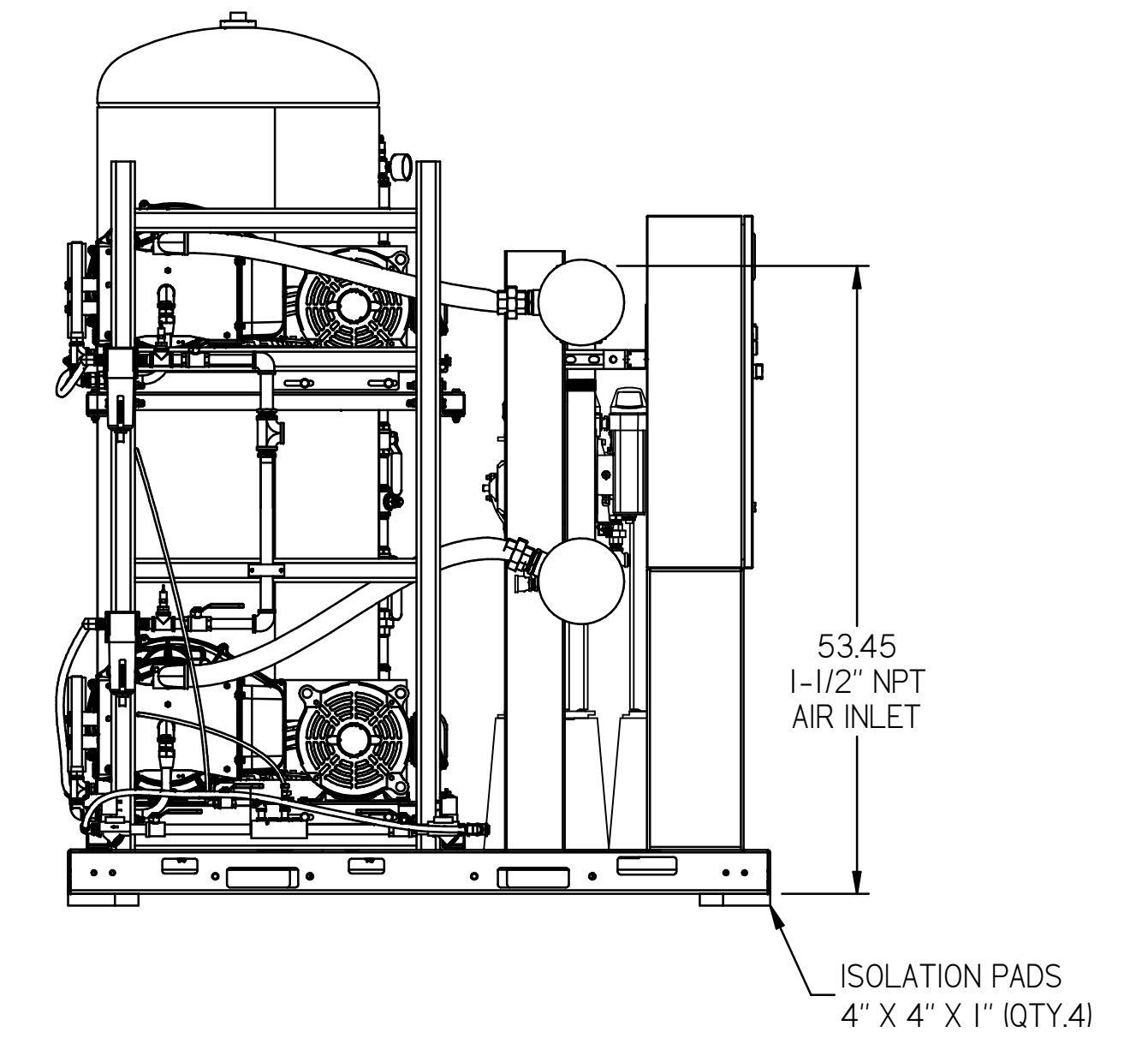
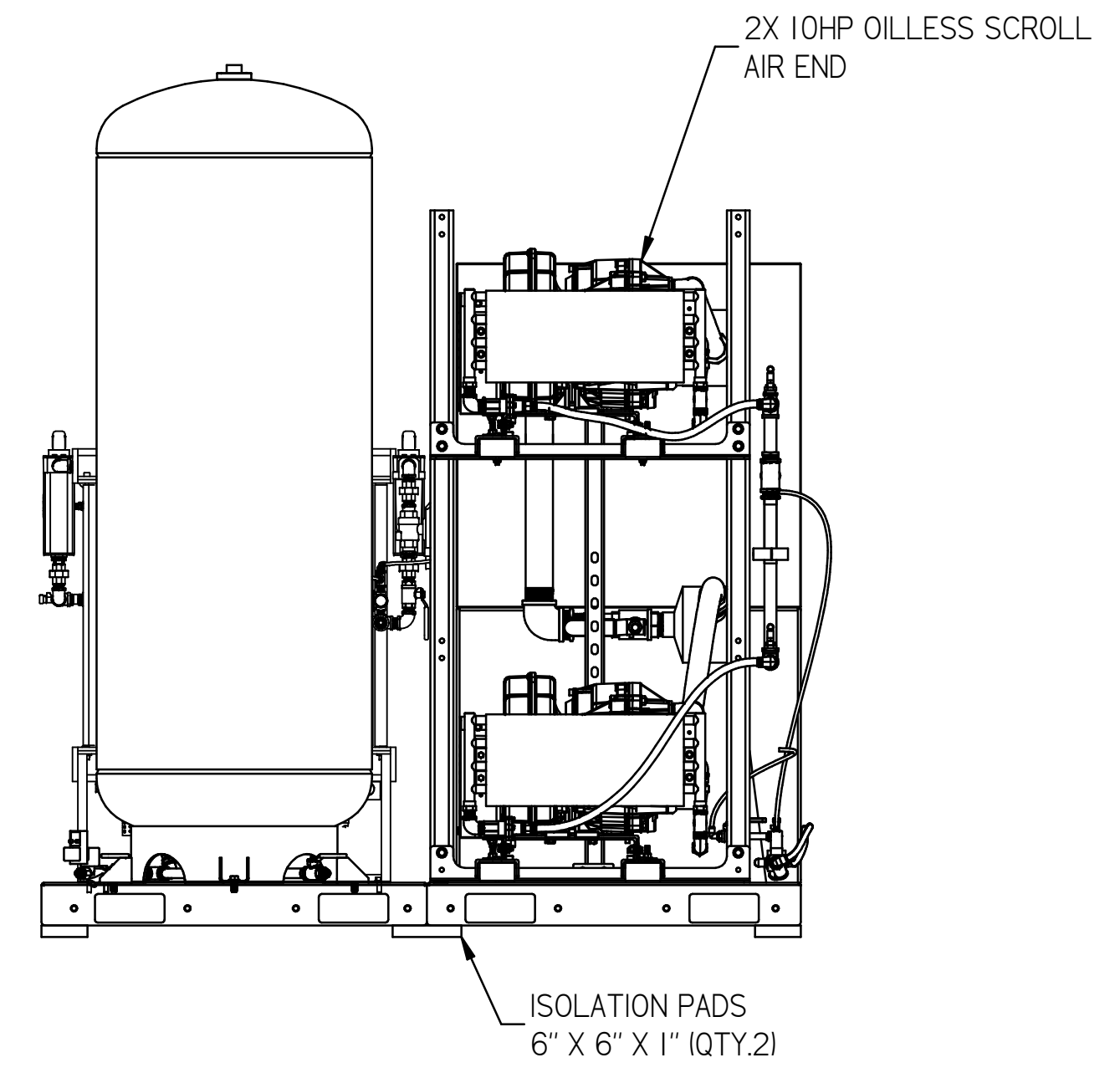
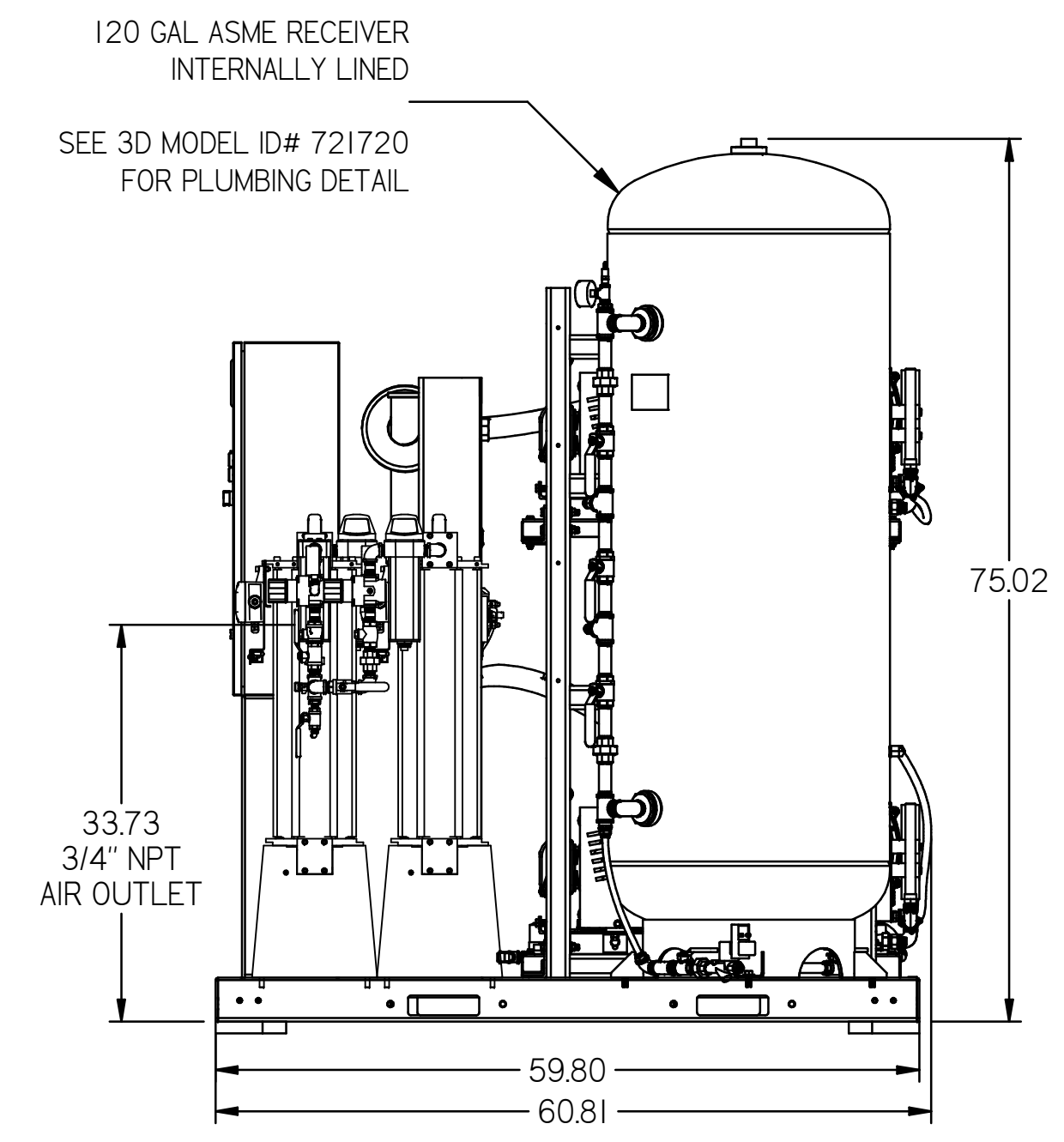
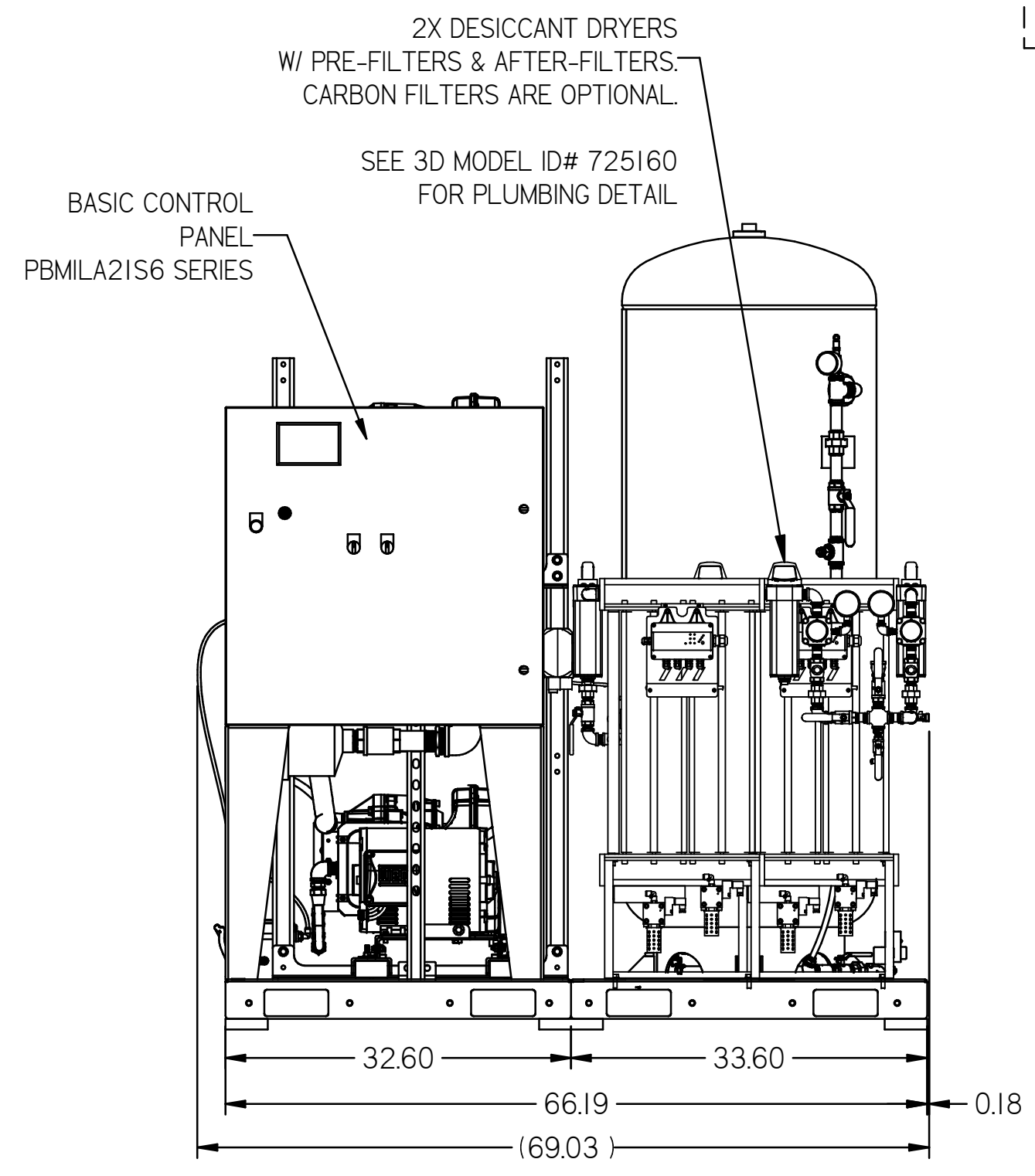
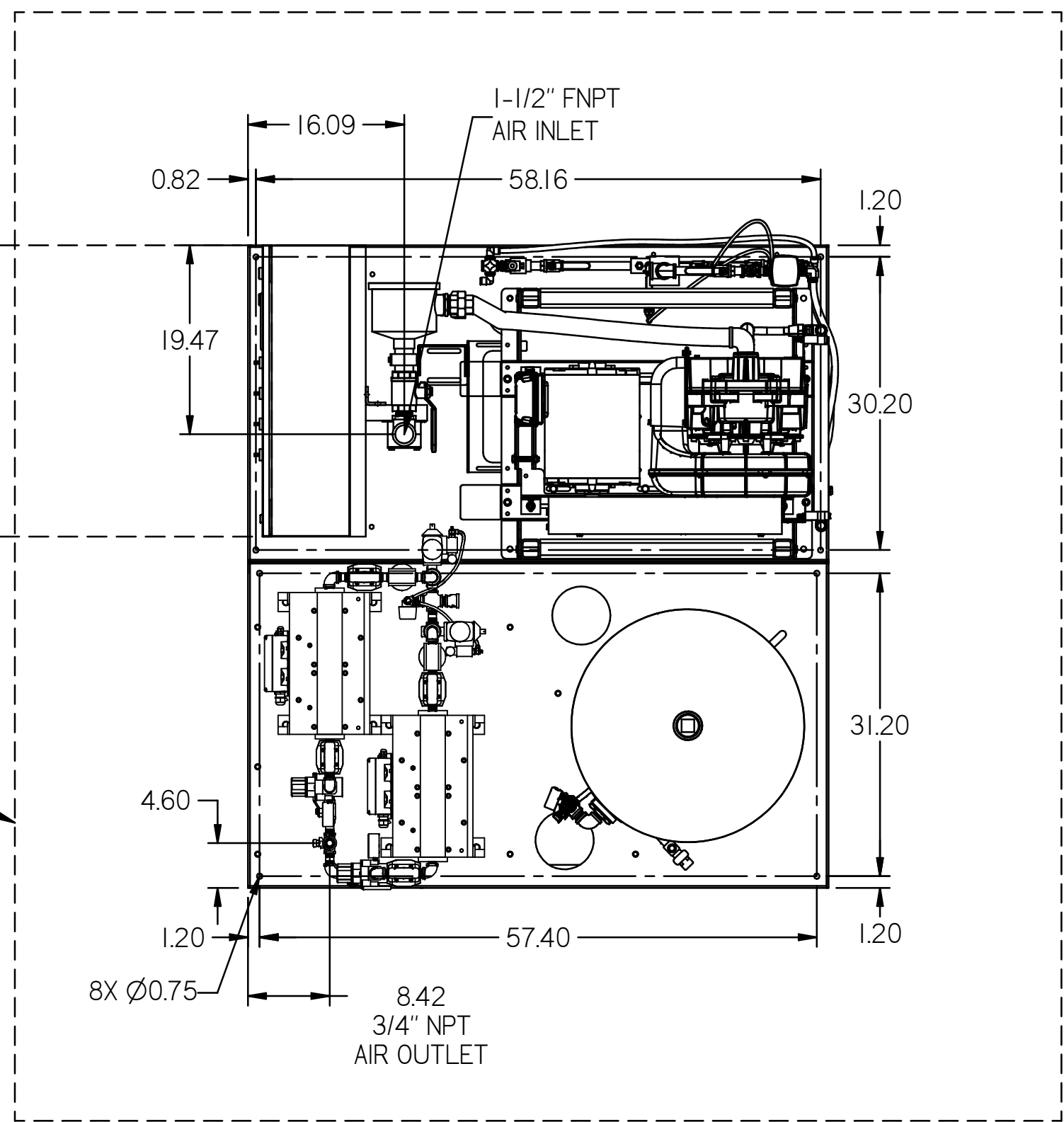
B

A

REV	ZONE	REVISION	DATE	ECN	NAME	CHKD
B-1	ALL	RELEASE TO PRODUCTION	10/29/14	PREC0046	AEK	GES
C-1	ALL	MAKE 1 REDESIGN-SMALLER FOOTPRINT	02/2/15	PREC0057	JBE	AEK
D-1	2 ALL 1 ALL 1 ALL 1 ALL	CORRECTED SEPARATOR DRAIN LINES TO 1/4" ADDED NOTE TO REMOVE SEPARATOR FLOAT CORRECTED VIEW POSITIONING ADDED OVERALL DIMENSIONS ADDED OUTLINE FOR RECOMMENDED CLEARANCES UPDATED INLET TREE	01/04/16	PREC0167	MJD	GES
E	2 ALL	ADDED UNION BETWEEN NO-LOSS AND BALL VALVE ON FLOW	4/25/19	PREC0273	RLH	GES
F	ALL	CHANGED TO MORGANTON TANK, TROENT DRYERS	10/04/19	PREC02029	GES	MMH

MINIMUM RECOMMENDED ELECTRICAL PANEL CLEARANCE PER OSHA/NEC REQUIREMENTS

24" MINIMUM RECOMMENDED MAINTENANCE CLEARANCE



NOTE: SYSTEM DESIGNED IN COMPLIANCE WITH US NFPA99, LATEST EDITION.

SYMBOL LEGEND ⊖ = MINUS DRAFT ⊕ = PLUS DRAFT ○ = ADDITIONAL CONTROL REQ'D HRC = BRINELL HARDNESS		Drawings to conform to the current revision of the following ANSI standards: Y14.3 Multi and sectional view dgs. Y14.5M Dimensioning and tolerancing	
TOLERANCES NOT SPECIFIED XX ± XXX ± Z (DEC.) ±		AUTOCAD REL2000 I INCH	
DO NOT SCALE DRAWING FOR DIMENSIONS		Sheet 1 of 2 SCALE 1:14	
CONFIDENTIAL DISCLOSURE This drawing is the property of POWEREX, INC. of the SCOTT FETZER COMPANY and subject to return on demand. The contents are confidential and must not be copied or submitted to outside parties for use or explanation.		DRAWN BY: JBE CHECKED BY: AEK APPROVED BY: JJA CT 3/2/15 3/2/15 3/2/15 3/2/15	
MATERIAL: N/A			
PART NAME: DUPLEX OILLESS SCROLL LAB 10HP, 120GAL, DUPLEX DESICCANT		DWG NO: LSD10B4 SIZE: D	

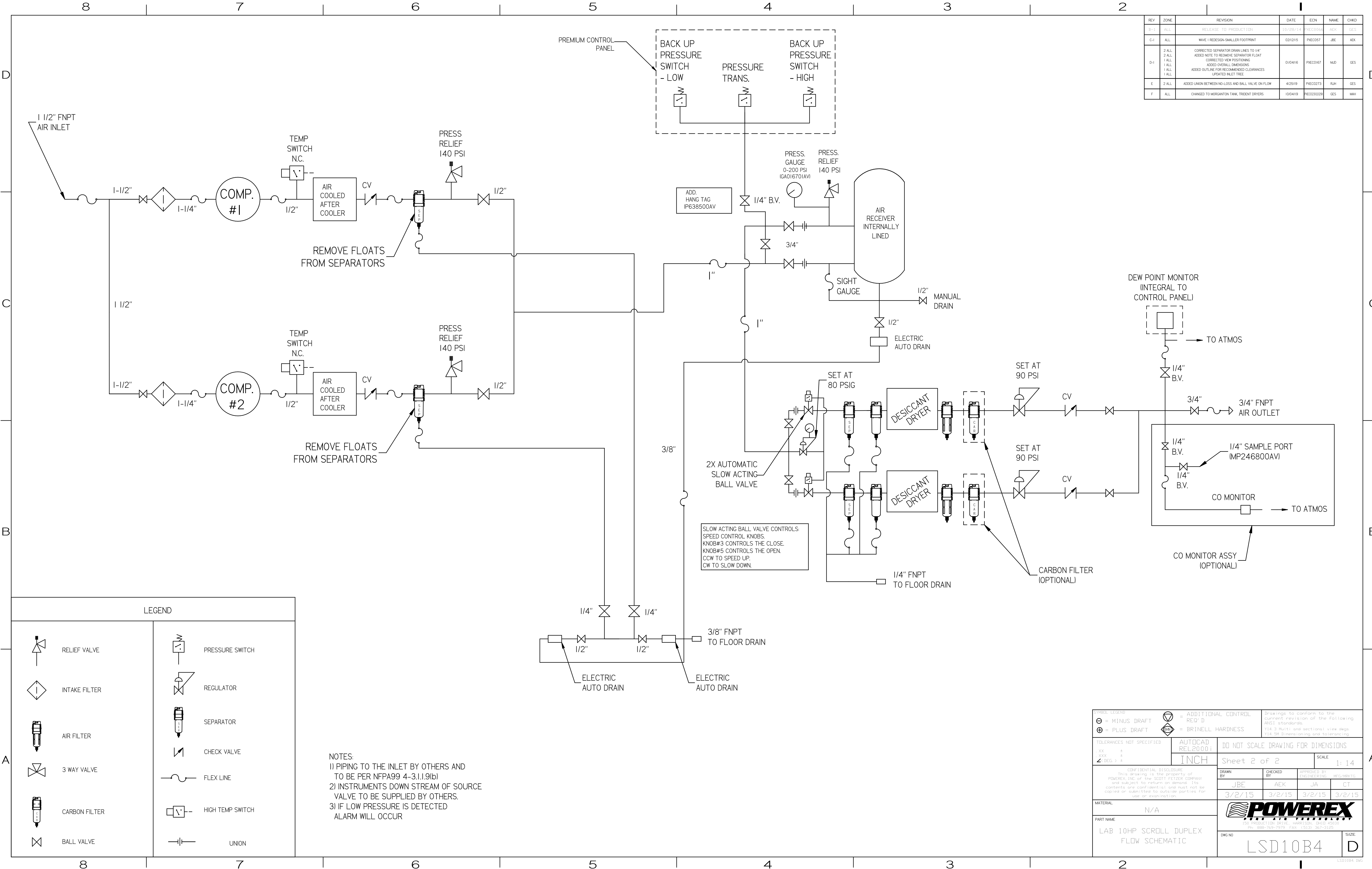
8 7 6 5 4 3 2 1

D

C

B

A



REV	ZONE	REVISION	DATE	ECN	NAME	CHKD
B-1	ALL	RELEASE TO PRODUCTION	10/29/11	PREC064	AEK	GES
C-1	ALL	MAKE 1 REDESIGN-SMALLER FOOTPRINT	02/12/15	PREC057	JBE	AEK
D-1	ALL	CORRECTED SEPARATOR DRAIN LINES TO 1/4"				
	2 ALL	ADDED NOTE TO REMOVE SEPARATOR FLOAT				
	1 ALL	CORRECTED VIEW POSITIONING	01/04/16	PREC0167	MJD	GES
	1 ALL	ADDED OVERALL DIMENSIONS				
	1 ALL	ADDED OUTLINE FOR RECOMMENDED CLEARANCES				
	1 ALL	UPDATED INLET TREE				
E	2 ALL	ADDED UNION BETWEEN NO-LOSS AND BALL VALVE ON FLOW	4/25/19	PREC0273	RJH	GES
F	ALL	CHANGED TO MORGANTON TANK, TRIDENT DRYERS	10/04/19	PREC03028	GES	MH

LEGEND

	RELIEF VALVE		PRESSURE SWITCH
	INTAKE FILTER		REGULATOR
	AIR FILTER		SEPARATOR
	3 WAY VALVE		CHECK VALVE
	CARBON FILTER		FLEX LINE
	BALL VALVE		HIGH TEMP SWITCH
			UNION

NOTES:
 1) PIPING TO THE INLET BY OTHERS AND TO BE PER NFPA99 4-3.1.1.9(b)
 2) INSTRUMENTS DOWN STREAM OF SOURCE VALVE TO BE SUPPLIED BY OTHERS.
 3) IF LOW PRESSURE IS DETECTED ALARM WILL OCCUR

SYMBOL LEGEND = MINUS DRAFT = PLUS DRAFT = ADDITIONAL CONTROL REQ'D = BRINELL HARDNESS		Drawings to conform to the current revision of the following ANSI standards: Y14.3 Multi and sectional view dgs Y14.5M Dimensioning and tolerancing	
TOLERANCES NOT SPECIFIED .XX ± .XXX ± .4 DEC. ±		AUTOCAD REL2000+ INCH	
DO NOT SCALE DRAWING FOR DIMENSIONS Sheet 2 of 2 SCALE 1:14		CONFIDENTIAL DISCLOSURE This drawing is the property of POWEREX, INC. of the SCOTT FEITZER COMPANY and subject to return on demand. Its contents are confidential and must not be copied or submitted to outside parties for use or examination.	
MATERIAL: N/A		 158 PRODUCTION DRIVE, HARRISON, OHIO 45030 PH: 955-769-7975 FAX: 955-767-2125	
PART NAME: LAB 10HP SCROLL DUPLEX FLOW SCHEMATIC		DWG NO: LSD10B4 SIZE: D	