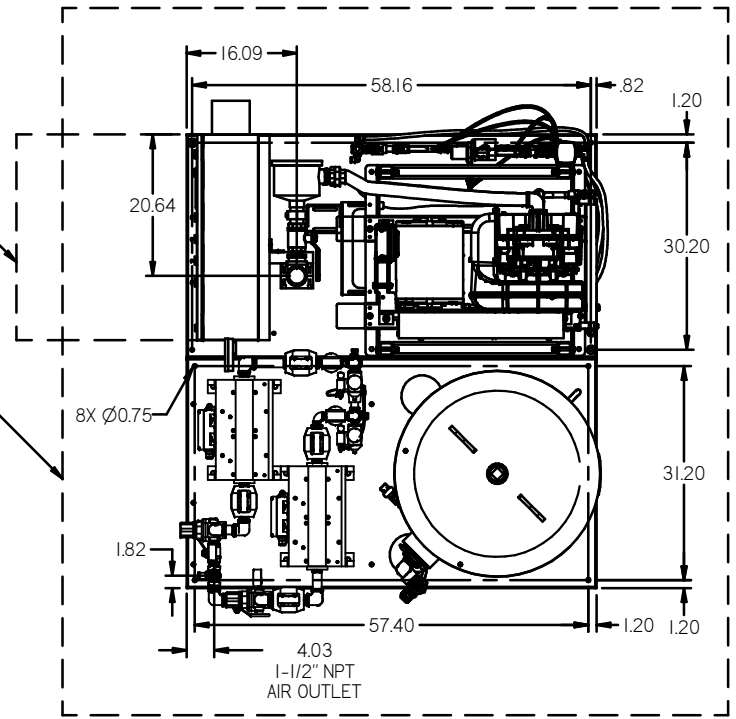


REV	ZONE	REVISION	DATE	ECN	NAME	CHKD
B-1	ALL	RELEASE TO PRODUCTION	2/23/15	PREC005	JBE	DMS
C-4	ALL	CORRECTED SEPARATOR DRAIN LINES TO 1/4"				
	ALL	ADDED NOTE TO REMOVE SEPARATOR FLOAT				
	ALL	CORRECTED VIEW POSITIONING	01/04/16	PREC0167	MD	GES
	ALL	ADDED OVERALL DIMENSIONS				
D	ALL	ADDED OUTLINE FOR RECOMMENDED CLEARANCES				
	ALL	UPDATED INLET TREE				
D	ALL	CHANGED TO TREAT DRYERS, MORGANTON TANK, UPDATED TO TEAM CENTER	10/08/19	PREC20209	GES	MHM

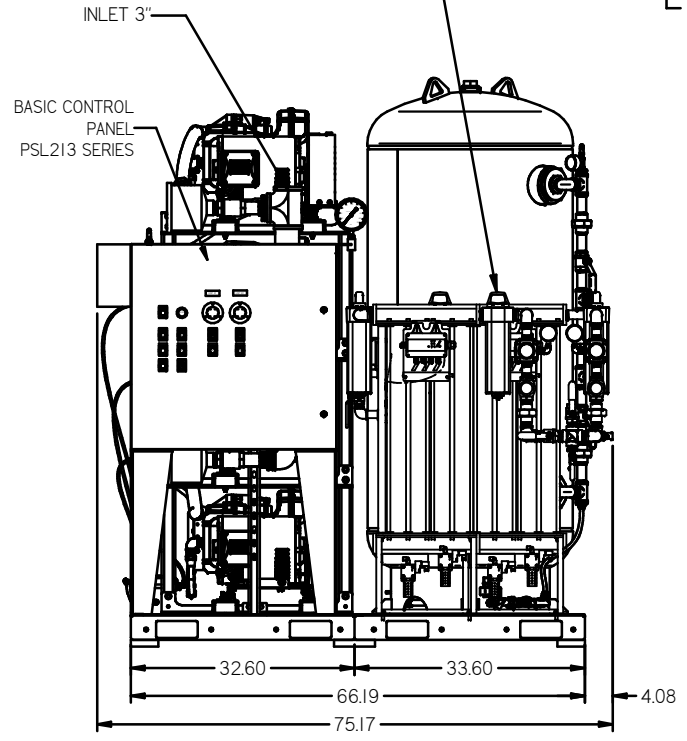
MINIMUM RECOMMENDED ELECTRICAL PANEL CLEARANCE PER OSHA/NEC REQUIREMENTS

24" MINIMUM RECOMMENDED MAINTENANCE CLEARANCE

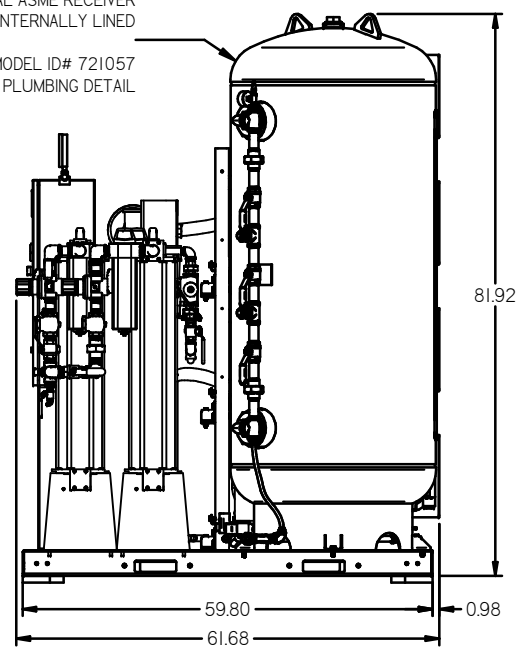


4.03
1-1/2" NPT
AIR OUTLET

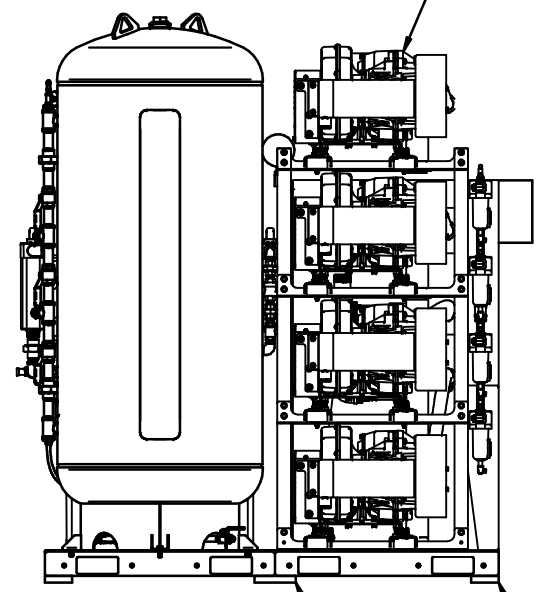
2X DESICCANT DRYERS
W/ PRE-FILTERS & AFTER-FILTERS.
CARBON FILTERS ARE OPTIONAL.
SEE 3D MODEL ID# 725187
FOR PLUMBING DETAIL



200 GAL ASME RECEIVER
INTERNALLY LINED
SEE 3D MODEL ID# 721057
FOR PLUMBING DETAIL

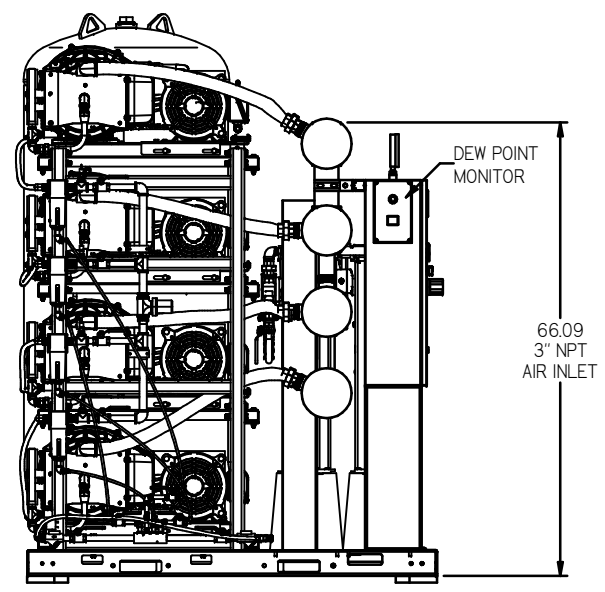


2X 15HP OILLESS SCROLL
AIR ENDS (4 x 7.5HP)



ISOLATION PADS
6" X 6" X 1" (QTY.2)

ISOLATION PADS
4" X 4" X 1" (QTY.4)



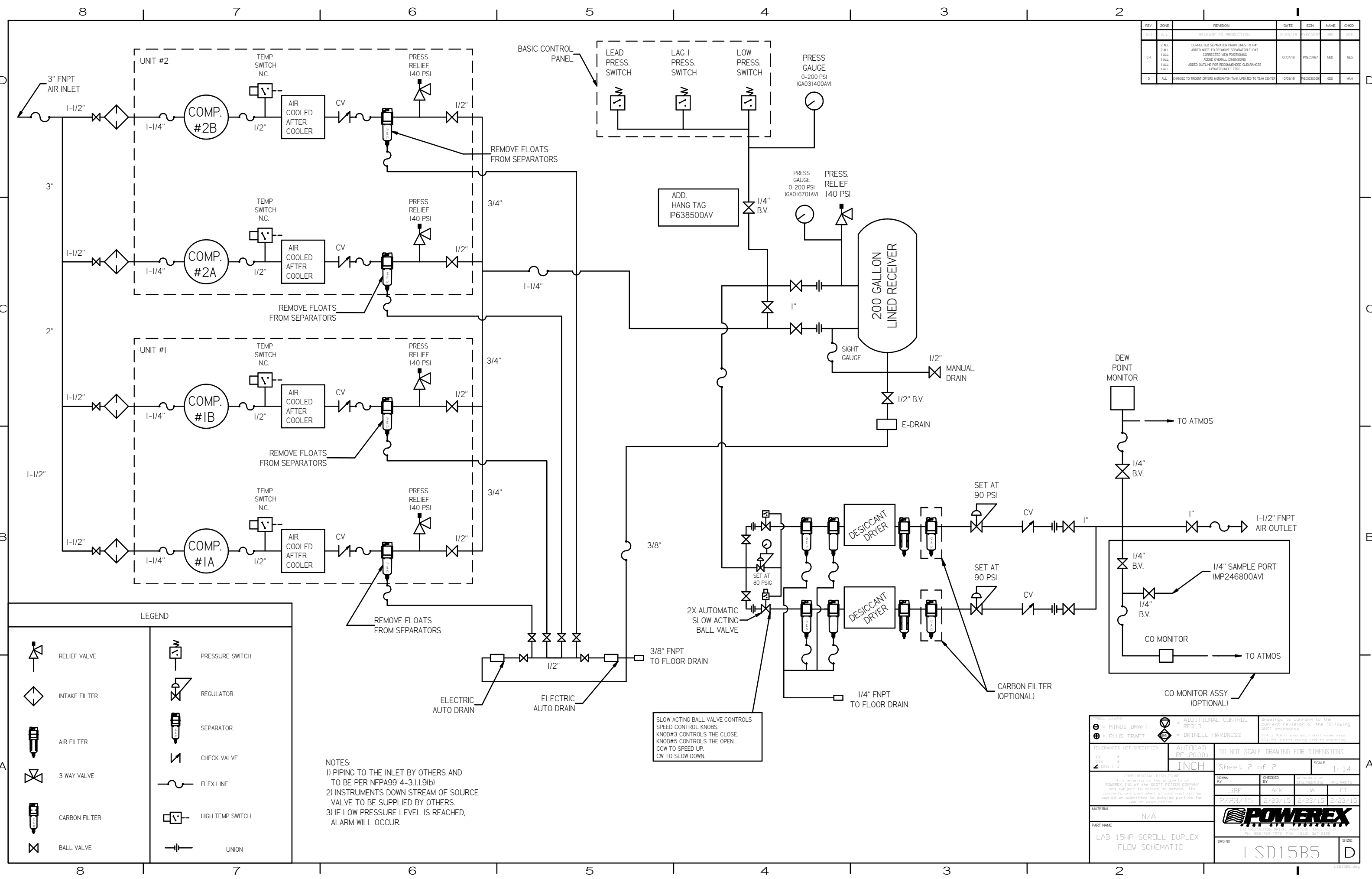
DEW POINT
MONITOR

66.09
3\"/>

NOTE: SYSTEM DESIGNED IN COMPLIANCE WITH US NFPA'99, LATEST EDITION.

MINUS DRAFT PLUS DRAFT	ADDITIONAL CONTROL REQ'D BRINELL HARDNESS	Changes to conform to the current revision of the following ANSI standards: 14.4 1/16" and sections 1.4e steps 14.5B Dimensioning and tolerancing
TOLERANCES NOT SPECIFIED .XX ± .XXX ± .X ±	AUTOCAD REL2000i INCH	DO NOT SCALE DRAWING FOR DIMENSIONS Sheet 1 of 2 SCALE 1:14
CONFIDENTIAL DISCLOSURE This drawing is the property of POWEREX, INC. of the SCOTT FELZBY COMPANY and subject to return on demand. Its contents are confidential and must not be copied or submitted to outside parties for any reason without prior approval.		
MATERIAL: N/A PART NAME: LAB DUPLEX SCROLL 15HP, 200GAL, BASEMOUNT DUPLEX DESICCANT	DRAWN BY: JBE CHECKED BY: AEK APPROVED BY: JA, CT DATE: 2/23/15, 2/23/15, 2/23/15, 2/23/15	 888-766-7979 FAX: (513) 387-3125
ENG NO: LSD15B5	SIZE: D	

REV	ZONE	REVISION	DATE	ECN	NAME	CHKD
0	ALL	RELEASE TO PROJECT USE	1/23/15		JBE	JBE
1	ALL	CORRECTED SEPARATOR DRAIN LINES TO INF				
2	ALL	ADDED NOTE TO REMOVE SEPARATOR FLOAT				
3	ALL	CORRECTED VIEW POSITIONING				
4	ALL	ADDED OVERALL DIMENSIONS				
5	ALL	ADDED OUTLINE FOR RECOMMENDED CLEARANCES				
6	ALL	UPDATED INLET TREE				
7	ALL	ADDED TO TROUBLE SHOOTING INFORMATION				
8	ALL	UPDATED TO TEAM CENTER	10/09/15		JBE	JBE



LEGEND

	RELIEF VALVE		PRESSURE SWITCH
	INTAKE FILTER		REGULATOR
	AIR FILTER		SEPARATOR
	3 WAY VALVE		CHECK VALVE
	CARBON FILTER		FLEX LINE
	BALL VALVE		HIGH TEMP SWITCH
			UNION

NOTES:
 1) PIPING TO THE INLET BY OTHERS AND TO BE PER NFPA99 4-3.1.1.9(b)
 2) INSTRUMENTS DOWN STREAM OF SOURCE VALVE TO BE SUPPLIED BY OTHERS.
 3) IF LOW PRESSURE LEVEL IS REACHED, ALARM WILL OCCUR.

SLOW ACTING BALL VALVE CONTROLS SPEED CONTROL KNOBS.
 KNOB#3 CONTROLS THE CLOSE.
 KNOB#5 CONTROLS THE OPEN.
 CW TO SPEED UP.
 CCW TO SLOW DOWN.

<p>MINUS DRAFT</p> <p>PLUS DRAFT</p>	<p>ADDITIONAL CONTROL</p> <p>BRINELL HARDNESS</p>	<p>Drawings to conform to the current revision of the following ANSI standards:</p> <p>Y14.3 Multi and sectional view deqs.</p> <p>Y14.9 Dimensional and tolerancing.</p>
<p>TOLERANCES NOT SPECIFIED</p> <p>XX ±</p> <p>XXX ±</p> <p>4 DEG ±</p>	<p>AUTOCAD REL2000</p> <p>INCH</p>	<p>DO NOT SCALE DRAWING FOR DIMENSIONS</p> <p>Sheet 2 of 2</p> <p>SCALE 1:14</p>
<p>CONFIDENTIAL INFORMATION</p> <p>This drawing is the property of POWEREX, Inc. or its SCOTT PETER COMPANY and subject to return on demand. Its contents are confidential and must not be copied or used in any way for other projects. For use or reproduction.</p>	<p>DRAWN BY: JBE</p> <p>CHECKED BY: AEK</p> <p>APPROVED BY: JJA</p> <p>DATE: 2/23/15</p>	<p>DATE: 2/23/15</p> <p>DATE: 2/23/15</p> <p>DATE: 2/23/15</p>
<p>MATERIAL: N/A</p> <p>PART NAME: LAB 15HP SCROLL DUPLEX FLOW SCHEMATIC</p>	<p>POWEREX</p> <p>150 PRODUCTION DRIVE, HARRISON, OHIO 43030</p> <p>PH: 688-762-7979 FAX: 614-313-3125</p>	<p>DWGNO: LSD15B5</p> <p>SIZE: D</p>

REV	ZONE	REVISION	DATE	ECN	NAME	CHKD
B-1	ALL	RELEASE TO PRODUCT EDN	3/23/15		JBE	DMS
C-1	2 ALL	CORRECTED SEPARATOR DRAIN LINES TO W/				
	2 ALL	ADDED NOTE TO REMOVE SEPARATOR FLOAT				
	1 ALL	CORRECTED VIEW POSITIONING	01/04/16		MJD	GES
	1 ALL	ADDED OVERALL DIMENSIONS				
D	1 ALL	ADDED OUTLINE FOR RECOMMENDED CLEARANCES				
	1 ALL	UPDATED INLET TREE				
D	ALL	CHANGED TO TRENT DRIVERS, MORGANTON TANK, UPDATED TO TEAM CENTER	10/08/19		REC020029	GES MMH

MINIMUM RECOMMENDED ELECTRICAL PANEL CLEARANCE PER OSHA/NEC REQUIREMENTS

MINIMUM RECOMMENDED MAINTENANCE CLEARANCE

2X DESICCANT DRYERS W/ PRE-FILTERS & AFTER-FILTERS. CARBON FILTERS ARE OPTIONAL.

SEE 3D MODEL ID# 725187 FOR PLUMBING DETAIL

INLET 3"

PREMIUM CONTROL PANEL PBMLA21S6 SERIES


200 GAL ASME RECEIVER INTERNALLY LINED
SEE 3D MODEL ID# 721057 FOR PLUMBING DETAIL

2X 15HP OILLESS SCROLL AIR ENDS (4 x 7.5HP)

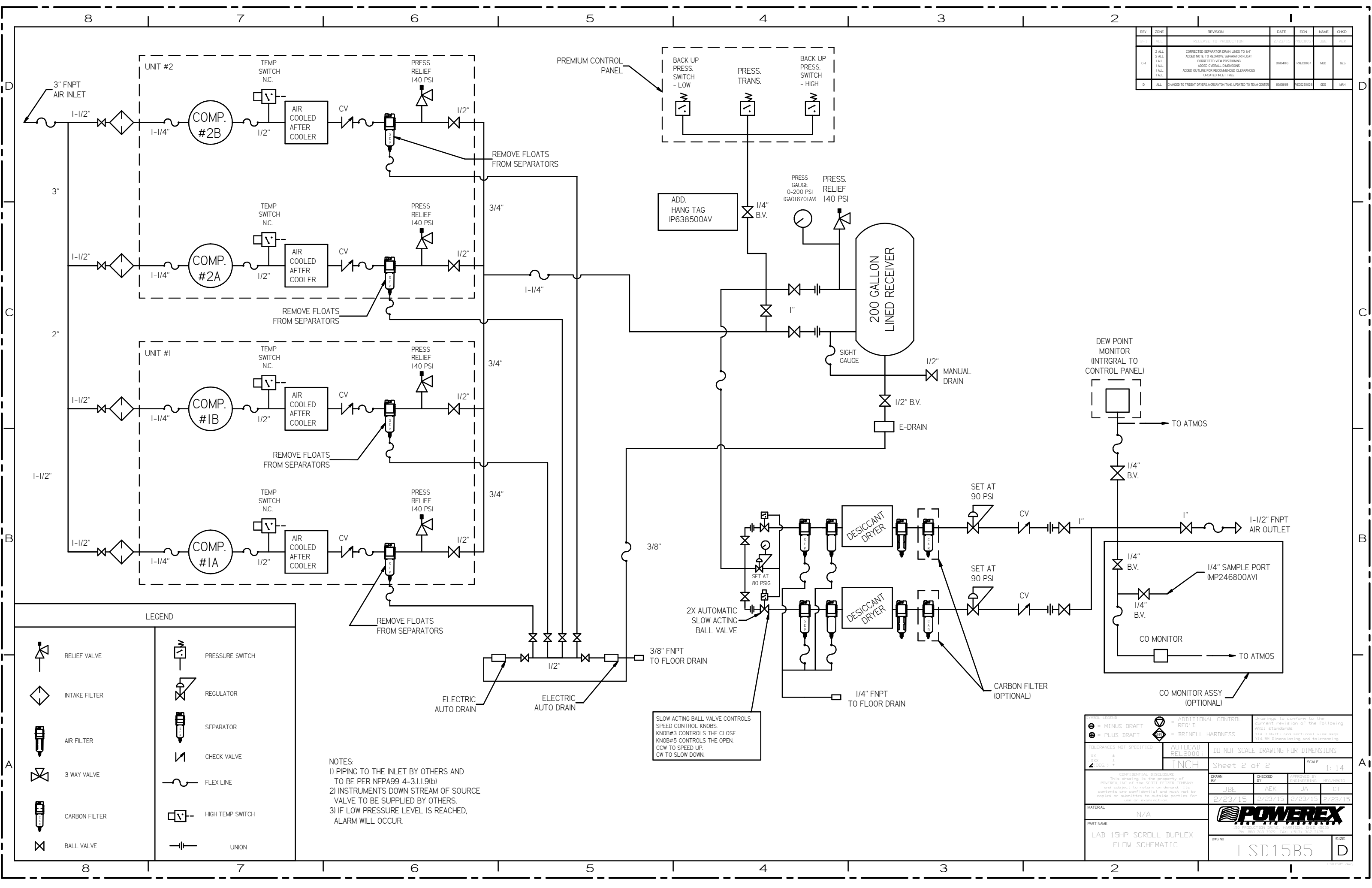
ISOLATION PADS 4" X 4" X 1" (QTY.4)

ISOLATION PADS 6" X 6" X 1" (QTY.2)

NOTE: SYSTEM DESIGNED IN COMPLIANCE WITH US NFPA99, LATEST EDITION.

MINUS DRAFT PLUS DRAFT TOLERANCES NOT SPECIFIED XX ± XXX ± Z DEC 1/2	ADDITIONAL CONTROL REQ'D BRINELL HARDNESS AUTOCAD REL2000 INCH	Drawings to conform to the current revision of the following ANSI standards: V14.3 Multi and sectional view (reg. V14.3M Dimensioning and tolerancing
DO NOT SCALE DRAWING FOR DIMENSIONS		SCALE 1:14
Sheet 1 of 2		
CONFIDENTIAL DISCLOSURE This drawing is the property of POWEREX, LLC, or FINE SECT, FETZER COMPANY and subject to return on demand. Its contents are confidential and must not be copied or submitted to outside parties for use or reproduction.		DRAWN BY: JBE CHECKED BY: AEK APPROVED BY: JA CT 2/23/15 2/23/15 2/23/15 2/23/15
MATERIAL: N/A		
PART NAME: LAB DUPLEX SCROLL 15HP, 200GAL, BASEMOUNT DUPLEX DESICCANT		
DWG NO: LSD15B5		SIZE: D

REV	ZONE	REVISION	DATE	EN	NAME	CHKD
0	ALL	RELEASE TO PRODUCTION	2/23/15	ECN	JE	JE
1	ALL	CORRECTED SEPARATOR DRAIN LINES TO 1/4"				
2	ALL	ADDED NOTE TO REMOVE SEPARATOR FLOAT				
3	ALL	CORRECTED VIEW POSITIONING				
4	ALL	ADDED OVERALL DIMENSIONS				
5	ALL	ADDED OUTLINE FOR RECOMMENDED CLEARANCES				
6	ALL	UPDATED INLET TREE				
7	ALL	CHANGED TO TROUBLE SHOOTING DIAGNOSTIC TANK UPDATED TO TEAM CENTER	10/08/19	ECN000000	GES	MMH



LEGEND	
	RELIEF VALVE
	INTAKE FILTER
	AIR FILTER
	3 WAY VALVE
	CARBON FILTER
	BALL VALVE
	PRESSURE SWITCH
	REGULATOR
	SEPARATOR
	CHECK VALVE
	FLEX LINE
	HIGH TEMP SWITCH
	UNION

NOTES:
 1) PIPING TO THE INLET BY OTHERS AND TO BE PER NFPA99 4-3.1.1.9(i)
 2) INSTRUMENTS DOWN STREAM OF SOURCE VALVE TO BE SUPPLIED BY OTHERS.
 3) IF LOW PRESSURE LEVEL IS REACHED, ALARM WILL OCCUR.

SLOW ACTING BALL VALVE CONTROLS SPEED CONTROL KNOBS. KNOB#3 CONTROLS THE CLOSE. KNOB#5 CONTROLS THE OPEN. CCW TO SPEED UP. CW TO SLOW DOWN.

TOLERANCES NOT SPECIFIED XX ± Z (REG.) ±	AUTOCAD REL2000 INCH	DO NOT SCALE DRAWING FOR DIMENSIONS	Drawings to conform to the current revision of the following ANSI standards: (14.3 Multi) and sectional view dep. (14.3B Symbols) and tolerancing.
MATERIAL: N/A		PART NAME: LAB 15HP SCROLL DUPLEX FLOW SCHEMATIC	
DRAWN BY: JBE		CHECKED BY: AEK	APPROVED BY: JAR, ET
DATE: 2/23/15		DATE: 2/23/15	DATE: 2/23/15
SCALE: 1:14		SHEET: Sheet 2 of 2	
CNC NO: LSD15B5		SIZE: D	