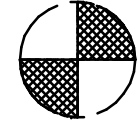


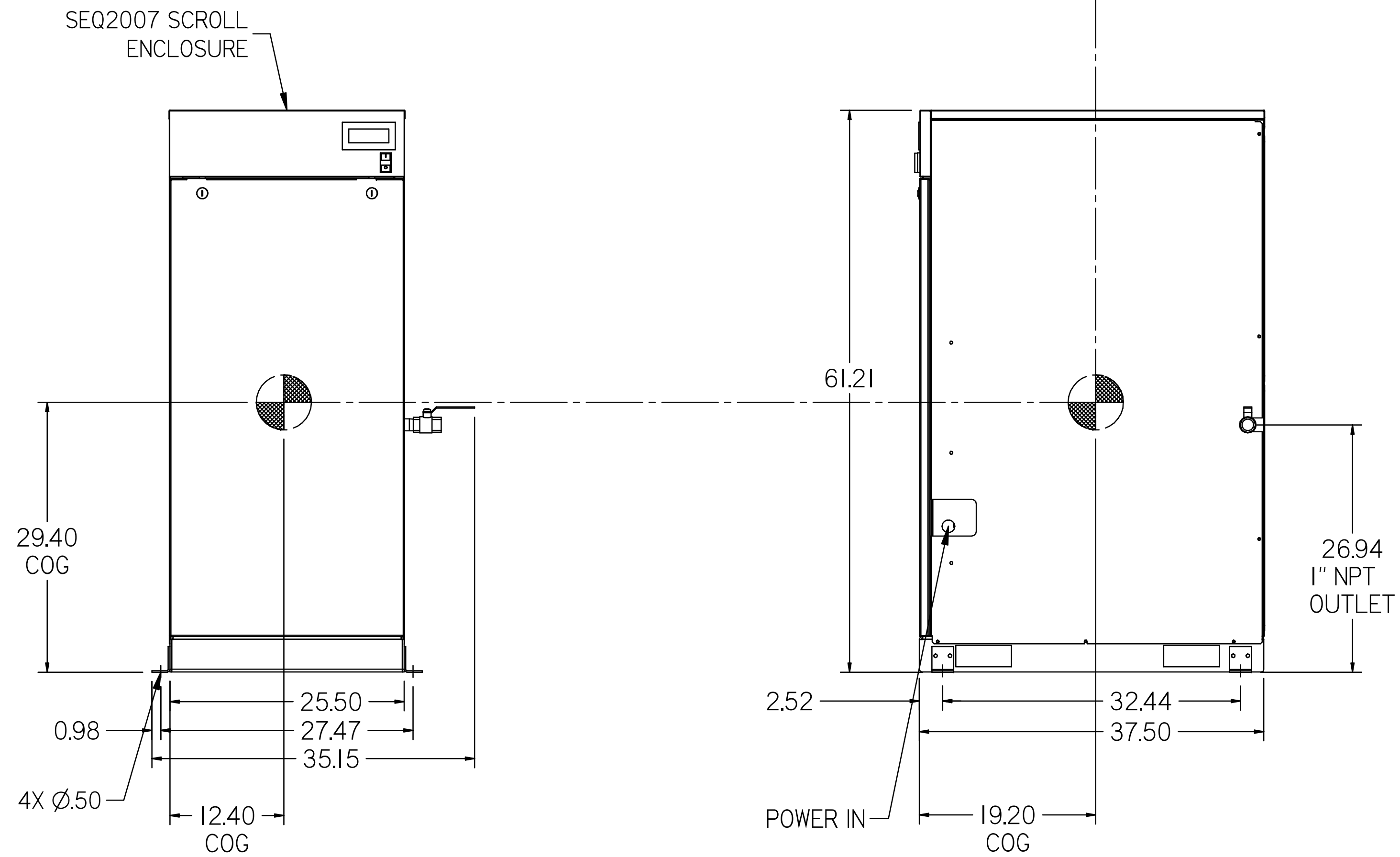
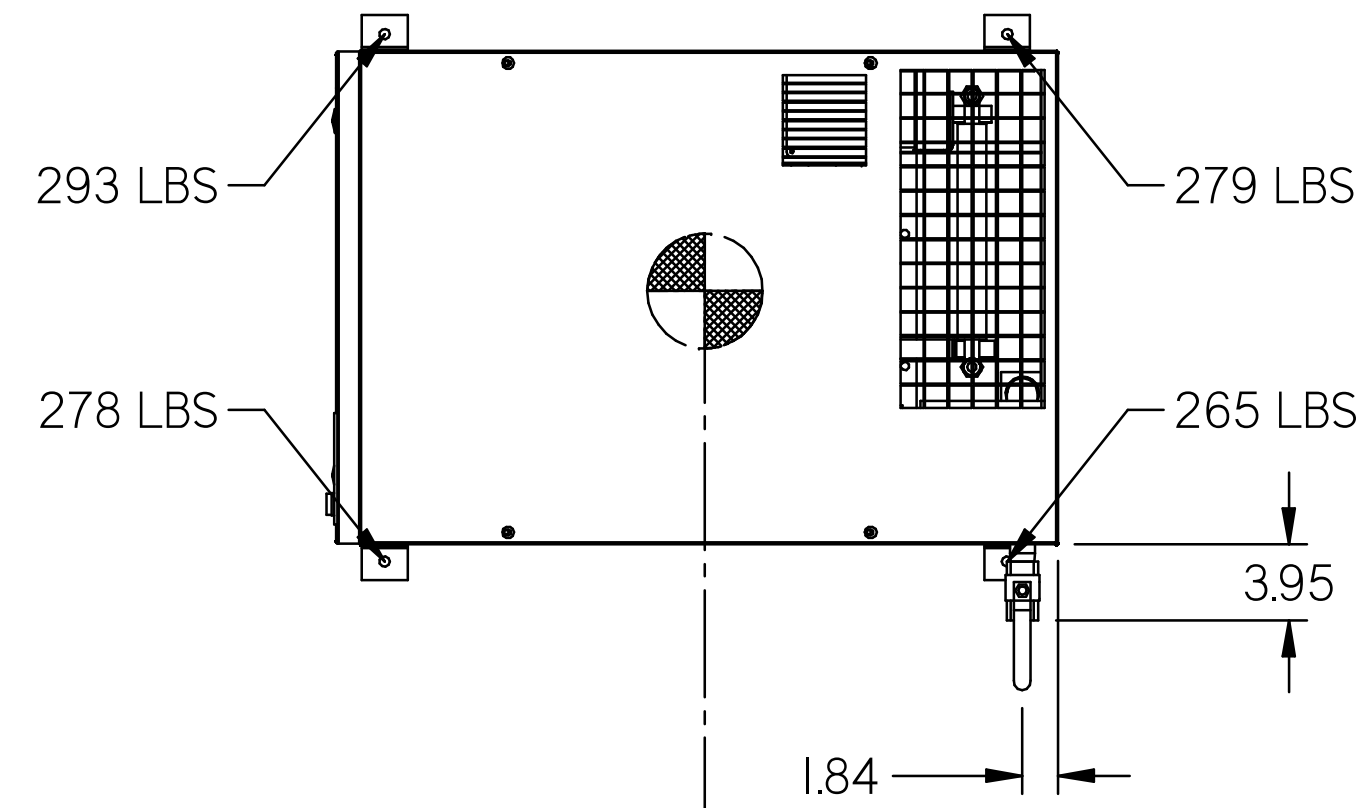
8 7 6 5 4 3 2 1

DENOTES CENTER OF GRAVITY



SEQ2007 SCROLL ENCLOSURE:
 TOTAL WEIGHT: 1115 LBS
 C.O.G. DIMENSIONS
 X (FRONT): 12.40"
 Y (RIGHT): 19.20"
 Z (HEIGHT): 29.4"

REV	ZONE	REVISION	DATE	ECN	NAME	CHKD
A-1	ALL	SUBMIT FINAL DRAWINGS	4/23/13	47000	RK	AEK
B-1	ALL	RELEASE FOR PRODUCTION	04/23/13	PXEC0032	RK	AEK
C-1	L2 ALL	ADDED CENTER OF GRAVITY INFORMATION	1/2/14	PXEC0067	AEK	GES
D-1	Z3 ALL	CONVERT TO POWEREX DRYER	2/20/14	PXEC0074	RK	AEK
E-1	4 CB	ADDED OUTLET BALL VALVE TO ENCLOSURE	6/10/15	PXEC0093	AEK	GES
F	ALL	ADDED GAUGE AND BRACKET TO PANEL	5/1/19	PXEC0273	MWH	GES
G	ALL	CHANGED TO TRENT DRYERS, MORGANTON TANK	9/13/19	PXEC0291.029	RLH	GES

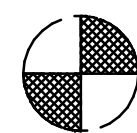


NOTE:
 1) SHEET 1 - SEQ2007 LAYOUT
 SHEET 2 - AIR TREATMENT LAYOUT
 SHEET 3 - PLAN VIEW
 SHEET 4 - FLOW SCHEMATIC

SYMBOL LEGEND		DRAWINGS TO CONFORM TO THE CURRENT REVISION OF THE FOLLOWING ANSI STANDARDS:	
⊖ = MINUS DRAFT	⊕ = PLUS DRAFT	⊕ = ADDITIONAL CONTROL REQ'D	⊕ = BRINELL HARDNESS
TOLERANCES NOT SPECIFIED		DO NOT SCALE DRAWING FOR DIMENSIONS	
XX ±	XXX ±	Sheet 1 of 4	
Z (DEG) ±		SCALE 1:10	
AUTOCAD REL2008 LT		INCH	
CONFIDENTIAL DISCLOSURE: This drawing is the property of POWEREX, INC. of the SCOTT FETZER COMPANY and subject to return on demand. Its contents are confidential and must not be copied or submitted to outside parties for use or examination.		DRAWN BY	CHECKED BY
		RK	AEK
		4/23/13	4/23/13
		APPROVED BY	DATE
		JA	4/23/13
		CT	4/23/13
MATERIAL N/A			
PART NAME 20HP ENCLOSED SCROLL		150 PRODUCTION DRIVE, HARRISON, OHIO 45030 PH: 503-768-7779 FAX: 503-762-3125	
200GAL DUAL DESICCANT LAB PACKAGE		SIZE	D
		LSE2005	

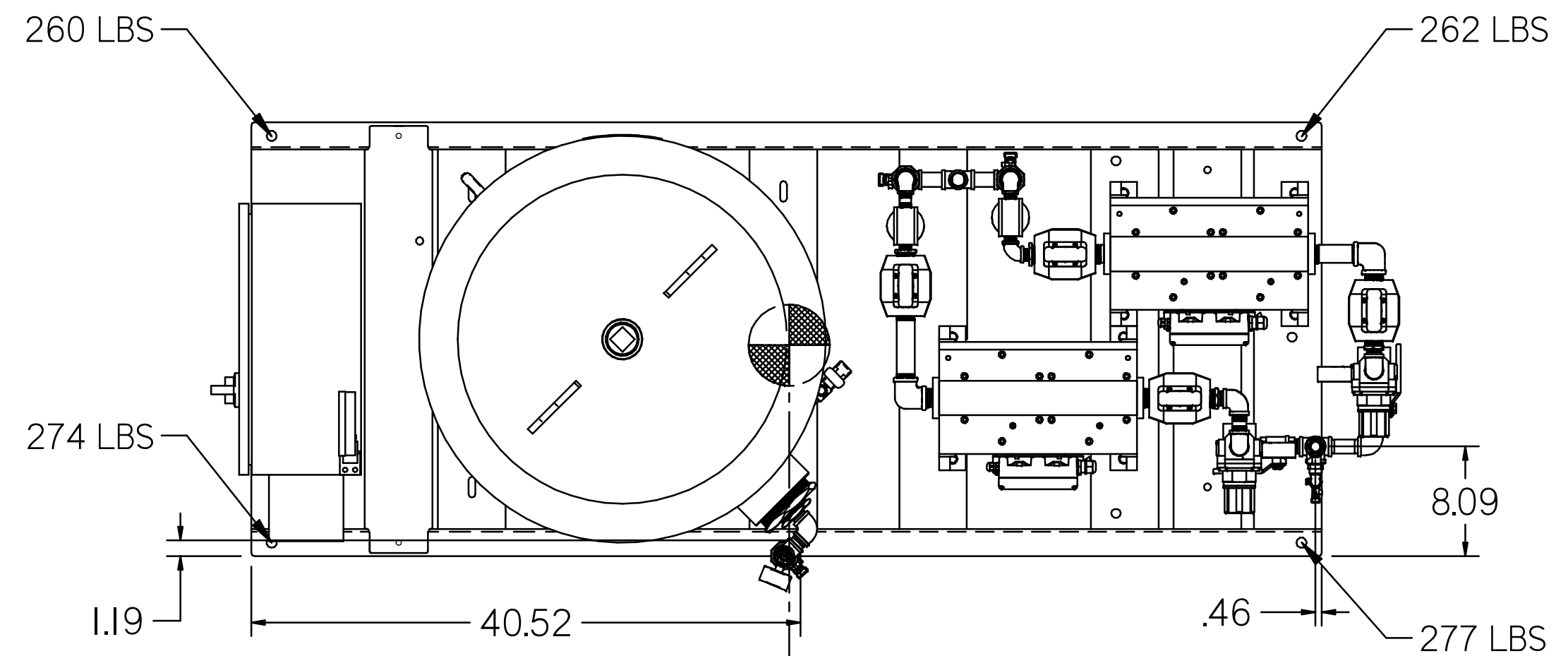
8 7 6 5 4 3 2 1

DENOTES CENTER OF GRAVITY



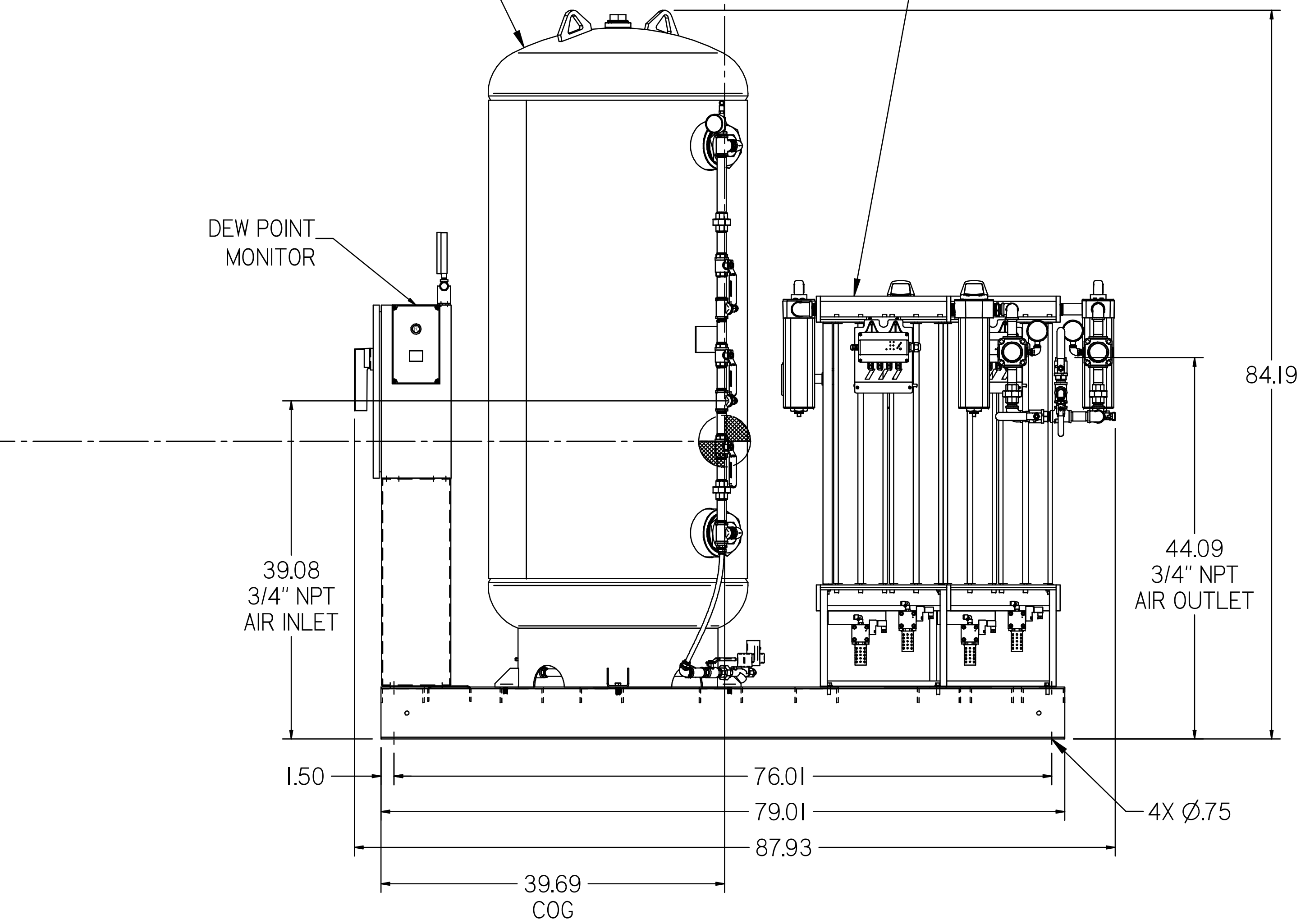
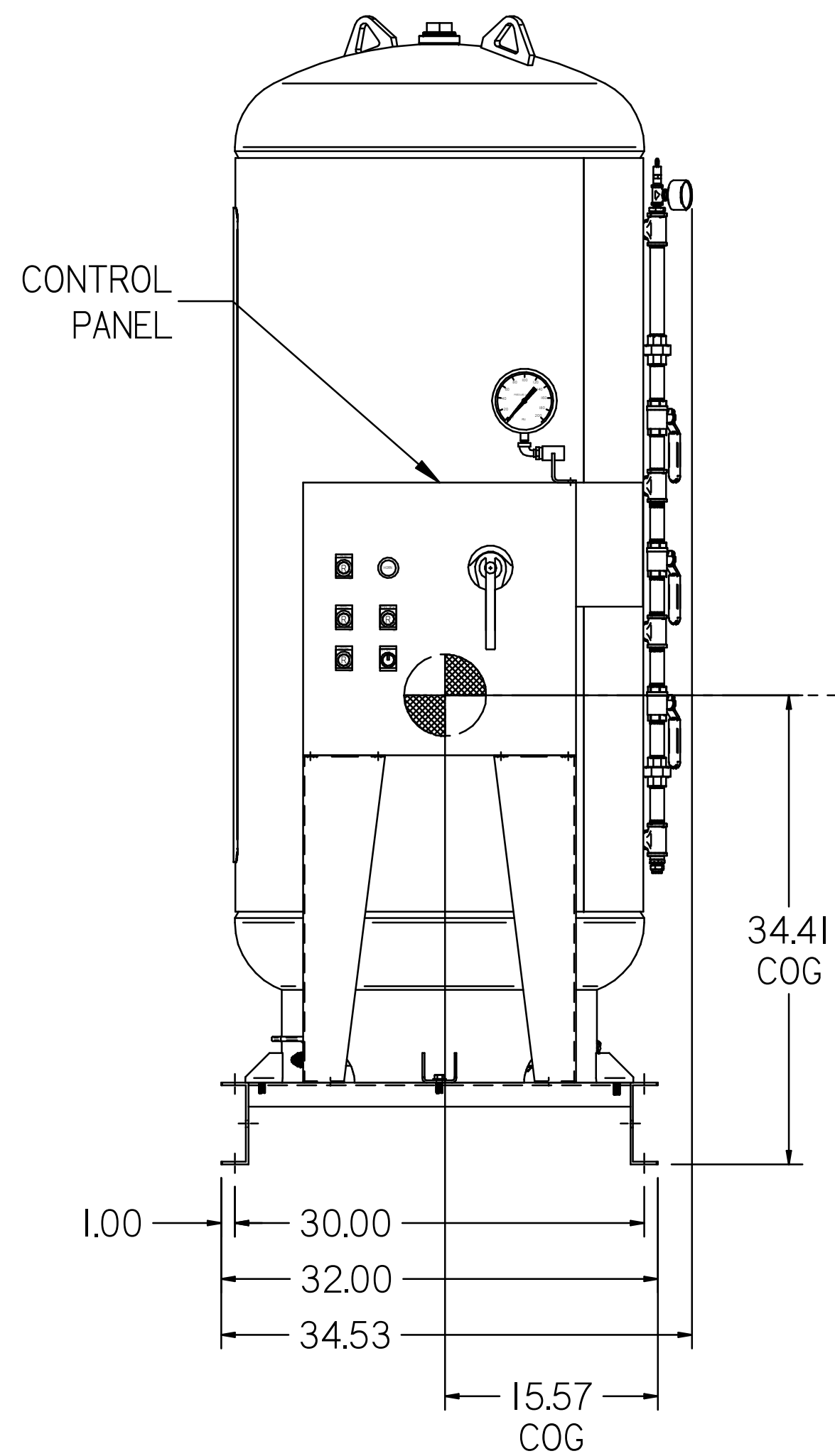
AIR TREATMENT SKID:
 TOTAL WEIGHT: 1073 LBS
 C.O.G. DIMENSIONS
 X (FRONT): -15.57"
 Y (RIGHT): 39.69"
 Z (HEIGHT): 34.41"

REV	ZONE	REVISION	DATE	ECN	NAME	CHKD
A-1	ALL	SCOTT TOTAL DRAWINGS	4/23/13	010003	RK	AEK
B-1	ALL	RELEASE FOR PRODUCTION	04/23/13	PREC0032	RK	AEK
C-1	12 ALL	ADDED CENTER OF GRAVITY INFORMATION	1/2/14	PREC0097	AEK	GES
D-1	23 ALL	CONVERT TO POWEREX DRYER	2/20/14	PREC0074	RK	AEK
E-1	4 CR	ADDED OUTLET BALL VALVE TO ENCLOSURE	6/10/15	PREC0093	AEK	GES
F	ALL	ADDED GAUGE AND BRACKET TO PANEL	5/0/16	PREC0273	MAH	GES
G	ALL	CHANGED TO TRIDENT DRYERS, MORGANTON TANK	9/13/19	PREC035_039	RJH	GES



200 GAL INTERNALLY LINED ASME RECEIVER
 SEE TANK 3D MODEL ID# 721887 FOR PLUMBING DETAILS

2X DESICCANT DRYER
 W/ PRE-FILTER & AFTER-FILTER.
 SEE DRYER 3D MODEL ID# 724713 FOR PLUMBING DETAILS



NOTE:
 1) SHEET 1 - SEQ2007 LAYOUT
 SHEET 2 - AIR TREATMENT LAYOUT
 SHEET 3 - PLAN VIEW
 SHEET 4 - FLOW SCHEMATIC

SYMBOL LEGEND ⊖ = MINUS DRAFT ⊕ = PLUS DRAFT ⊕ = BRINELL HARDNESS		= ADDITIONAL CONTROL REQ'D = BRINELL HARDNESS		Drawings to conform to the current revision of the following ANSI standards: Y14.3 Multi and sectional view dsgs Y14.9M Dimensioning and tolerancing	
TOLERANCES NOT SPECIFIED: XX ± YYY ± Z (DEC) ±		AUTOCAD REL2009 LT INCH DO NOT SCALE DRAWING FOR DIMENSIONS		Sheet 2 of 4 SCALE 1:10	
CONFIDENTIAL DISCLOSED: This drawing is the property of POWEREX, INC. of the SCOTT FETZER COMPANY and subject to return or demand. Its contents are confidential and must not be copied or submitted to outside parties for use or examination.					
MATERIAL N/A		DRAWN BY: RK CHECKED BY: AEK 4/23/13 4/23/13		APPROVED BY: JA, CT 4/23/13 4/23/13	
PART NAME: 20HP ENCLOSED SCROLL 200GAL DUAL DESICCANT LAB PACKAGE		POWEREX 155 PRODUCTION DRIVE, HARRISBURG, OHIO 45030 PH: 388-7629-7979 FAX: +1513-367-3125		SIZE: D	

8

7

6

5

4

3

2


1

REV	ZONE	REVISION	DATE	ECN	NAME	CHKD
A-1	ALL	SUBMITTAL DRAWINGS	4/23/13	P/0001	RK	AEK
B-1	ALL	RELEASE FOR PRODUCTION	04/23/13	P/EC0032	RK	AEK
C-1	12 ALL	ADDED CENTER OF GRAVITY INFORMATION	1/2/14	P/EC0067	AEK	GES
D-1	23 ALL	CONVERT TO POWEREX DRYER	2/20/14	P/EC0074	RK	AEK
E-1	4 DB	ADDED OUTLET BALL VALVE TO ENCLOSURE	6/10/15	P/EC0093	AEK	GES
F	ALL	ADDED GAUGE AND BRACKET TO PANEL	5/1/19	P/EC0273	MMH	GES
G	ALL	CHANGED TO TRIDENT DRYERS, MORGANTON TANK	9/13/19	P/EC0326 029	RLH	GES

MINIMUM RECOMMENDED
ELECTRICAL PANEL
CLEARANCE PER OSHA/ NEC

MINIMUM RECOMMENDED
MAINTENANCE CLEARANCE

- NOTE:
 1) SHEET 1 - SEQ02007 LAYOUT
 SHEET 2 - AIR TREATMENT LAYOUT
 SHEET 3 - PLAN VIEW
 SHEET 4 - FLOW SCHEMATIC

SYMBOL LEGEND: ⊖ = MINUS DRAFT ⊕ = PLUS DRAFT ⊕ = ADDITIONAL CONTROL REQ'D HB = BRINELL HARDNESS		Drawings to conform to the current revision of the following ANSI standards: Y14.3 Multi and sectional view dgs. Y14.5M Dimensioning and tolerancing	
TOLERANCES NOT SPECIFIED: XX ± .XX ± ∠ (DEG) ±		AUTOCAD RELEASED LT DO NOT SCALE DRAWING FOR DIMENSIONS Sheet 3 of 4 SCALE 1:10	
CONFIDENTIAL DISCLOSURE: This drawing is the property of POWEREX, INC. of the SCOTT FETZER COMPANY and subject to return on demand. Its contents are confidential and must not be copied or submitted to outside parties for use or examination.		DRAWN BY RK 4/23/13	CHECKED BY AEK 4/23/13
MATERIAL: N/A		APPROVED BY JA 4/23/13	CT 4/23/13
PART NAME: 20HP ENCLOSED SCROLL 200GAL DUAL DESICCANT LAB PACKAGE		 150 PRODUCTION DRIVE, HARRISON, OHIO 45030 PH: 888-762-1070 FAX: 513-367-3125	
DWG NO LSE2005		SIZE D	

8

7

6

5

4

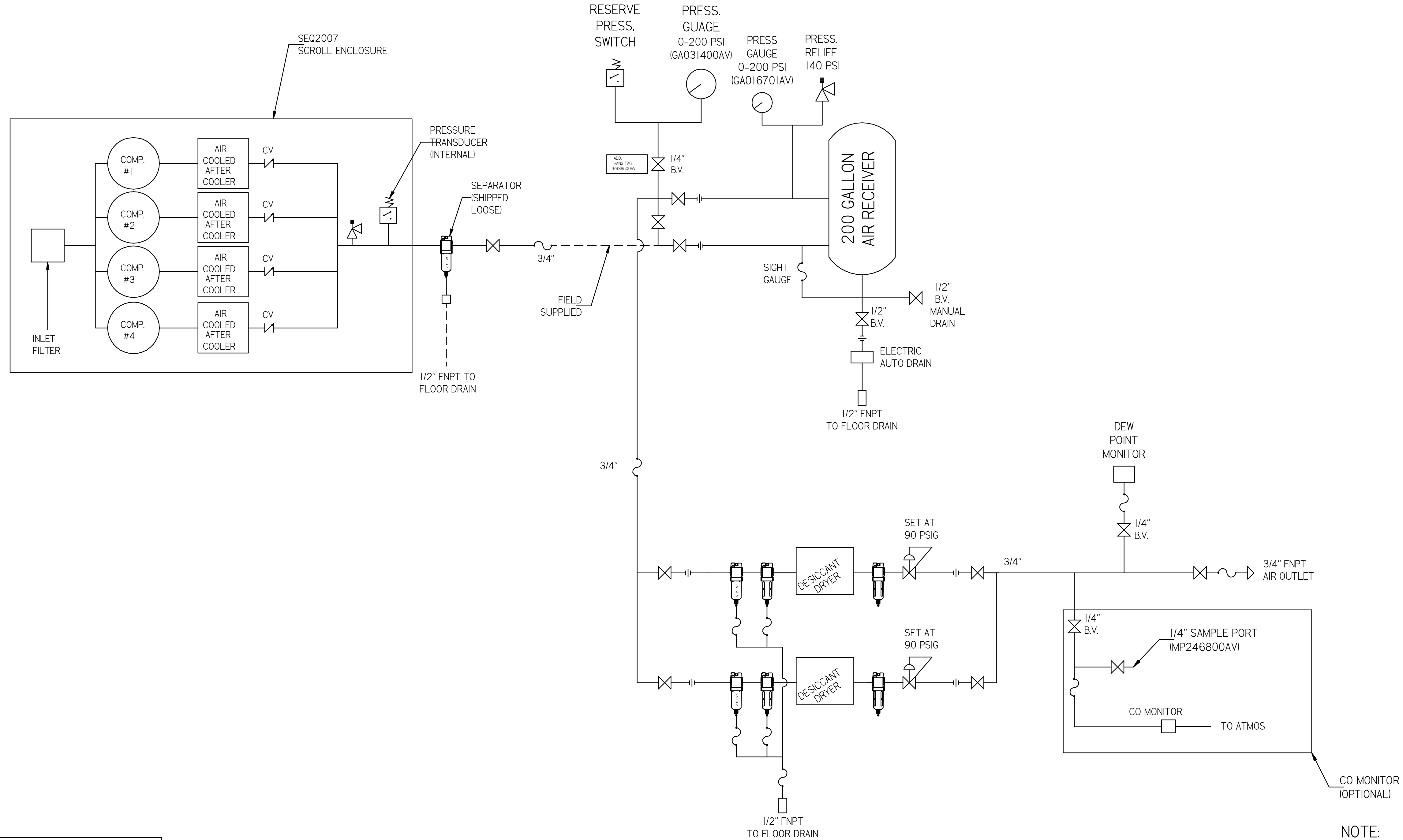
3

2

1

LSE2005.dwg

REV	ZONE	REVISION	DATE	ECN	NAME	CHKD
A-1	ALL	SUBMITTAL DRAWINGS	4/23/13	PREC0002	RK	AEK
B-1	ALL	RELEASE FOR PRODUCTION	04/23/13	PREC0002	RK	AEK
C-1	1,2	ADDED CENTER OF GRAVITY INFORMATION	1/2/14	PREC0007	AEK	GES
D-1	2,3	CONVERT TO POWEREX DRIVER	3/20/14	PREC0074	RK	AEK
E-1	4	ADDED OUTLET BALL VALVE TO ENCLOSURE	6/10/15	PREC0093	AEK	GES
F	ALL	ADDED GAUGE AND BRACKET TO PANEL	5/1/19	PREC0273	MHM	GES
G	ALL	CHANGED TO TRENT DRIVERS, MORGANTON TANK	9/3/19	PREC030_029	RLH	GES



LEGEND	
	RELIEF VALVE
	INTAKE FILTER
	AIR FILTER
	CARBON FILTER
	BALL VALVE
	3 WAY VALVE
	REGULATOR
	SEPARATOR
	FLEX LINE
	HIGH TEMP SWITCH
	UNION
	CHECK VALVE

NOTE:
 1) SHEET 1 - SEQ2007 LAYOUT
 SHEET 2 - AIR TREATMENT LAYOUT
 SHEET 3 - PLAN VIEW
 SHEET 4 - FLOW SCHEMATIC

<small>SYMBOL LEGEND</small> = MINUS DRAFT = PLUS DRAFT = ADDITIONAL CONTROL REQ'D = BRINELL HARDNESS	<small>TOLERANCES NOT SPECIFIED</small> XX ± XXX ± < DEG. > ±	<small>AUTOCAD</small> REL2008 LT INCH	<small>DO NOT SCALE DRAWING FOR DIMENSIONS</small> Sheet 4 of 4 SCALE 1:10
<small>CONFIDENTIAL DISCLOSURE</small> This drawing is the property of POWEREX, Inc. or the SOCIETY FLEXCO COMPANY and subject to return on demand. Its contents are confidential and must not be copied or submitted to outside parties for use or reproduction.		<small>DRAWN BY</small> RK <small>CHECKED BY</small> AEK <small>APPROVED BY</small> JA CT 4/23/13 4/23/13 4/23/13 4/23/13	
<small>MATERIAL</small> N/A		 For Product Line: 888-769-7979 Fax: (513) 367-3125	
<small>PART NAME</small> ENCLOSED SCROLL FLOW SCHEMATIC		<small>DWG NO</small> LSE2005 <small>SIZE</small> D	